

SPAREPARTSCATALOG

CHASSIS

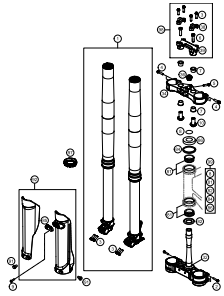
ART.-NR.: 3CFF2101P0EN

TC 125 2016



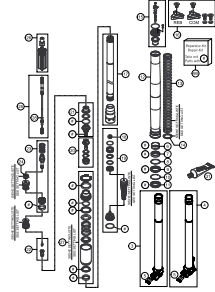
Husqvarna®
MOTORCYCLES

FRONT FORK, TRIPLE CLAMP



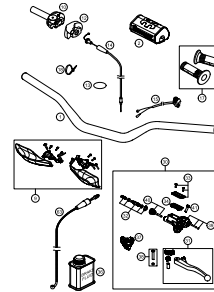
3

FRONT FORK DISASSEMBLED



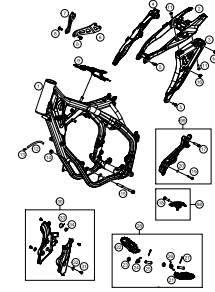
4

HANDLEBAR, CONTROLS



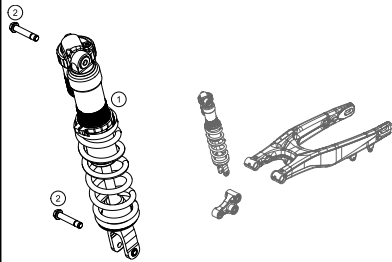
5

FRAME



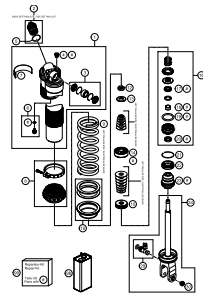
6

MONOSHOCK



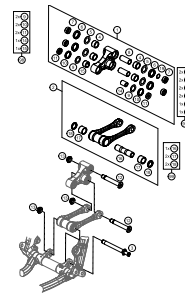
7

SHOCK ABSORBER DISASSEMBLED



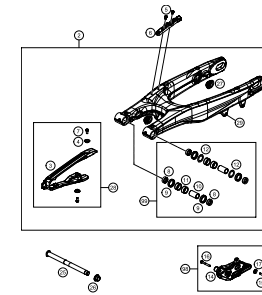
8

PRO LEVER LINKING



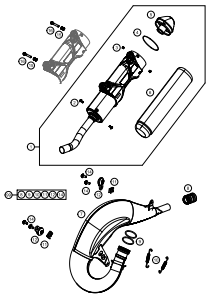
9

SWING ARM



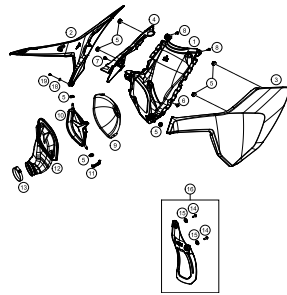
10

EXHAUST SYSTEM



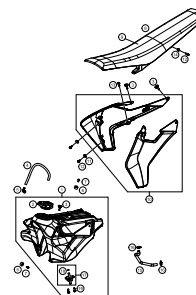
11

AIR FILTER



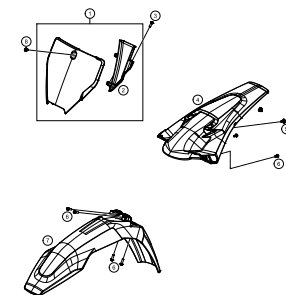
12

TANK, SEAT, COVER



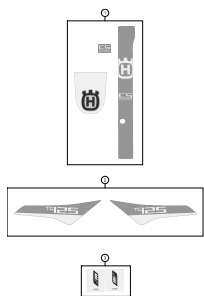
13

MASK, FENDERS



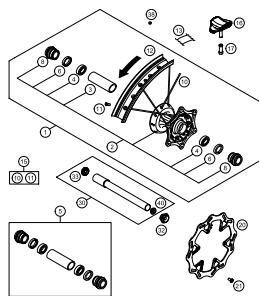
14

DECAL



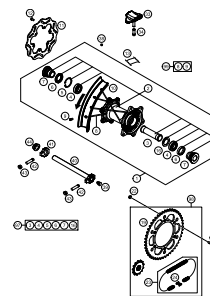
15

FRONT WHEEL



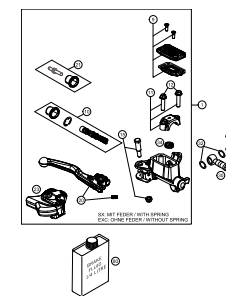
16

REAR WHEEL



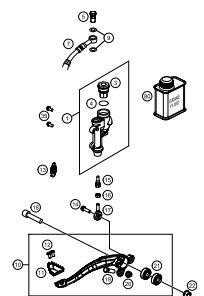
17

HAND BRAKE CYLINDER



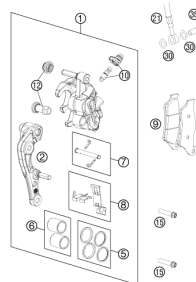
18

REAR BRAKE CONTROL



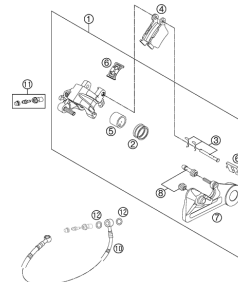
19

BRAKE CALIPER FRONT



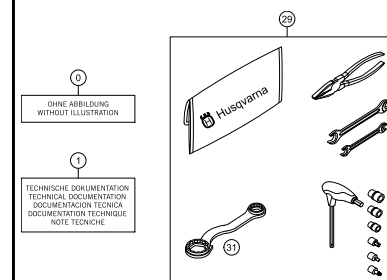
20

BRAKE CALIPER REAR



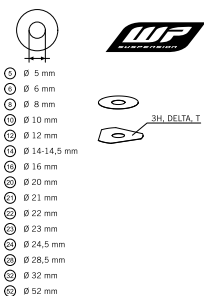
21

ACCESSORIES KIT



22

WP SHIMS FOR SETTING

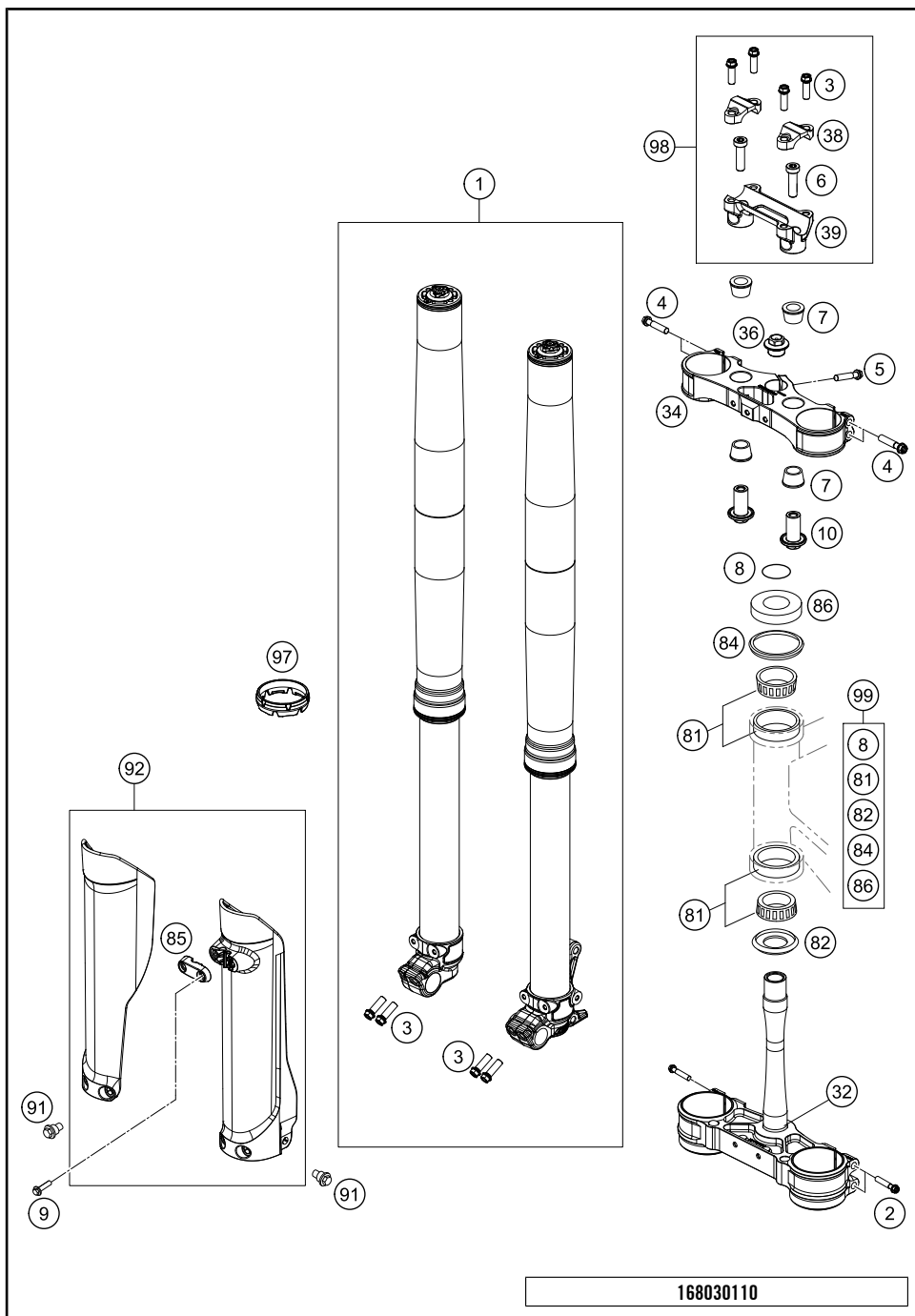


23



All information contained is without obligation. HUSQVARNA MOTORCYCLES GmbH particularly reserves the right to modify any equipment, technical specifications, prices, colors, shapes, materials, services, service work, constructions, equipment and the like so as to adapt them to local conditions or to cancel any of the above items, all without previous announcement and without giving reasons. KTM may stop manufacturing certain models without previous notice. HUSQVARNA MOTORCYCLES shall not be held liable for any deviations of availability and/or ability to deliver, illustrations, descriptions, printing and/or other errors. The illustrated models partly contain extra equipment, which is not applied to standard models.

© by HUSQVARNA MOTORCYCLES GmbH, Mattighofen AUSTRIA; All rights reserved; Reprint, also in extracts, with written allowance of HUSQVARNA MOTORCYCLES GmbH, Mattighofen only.

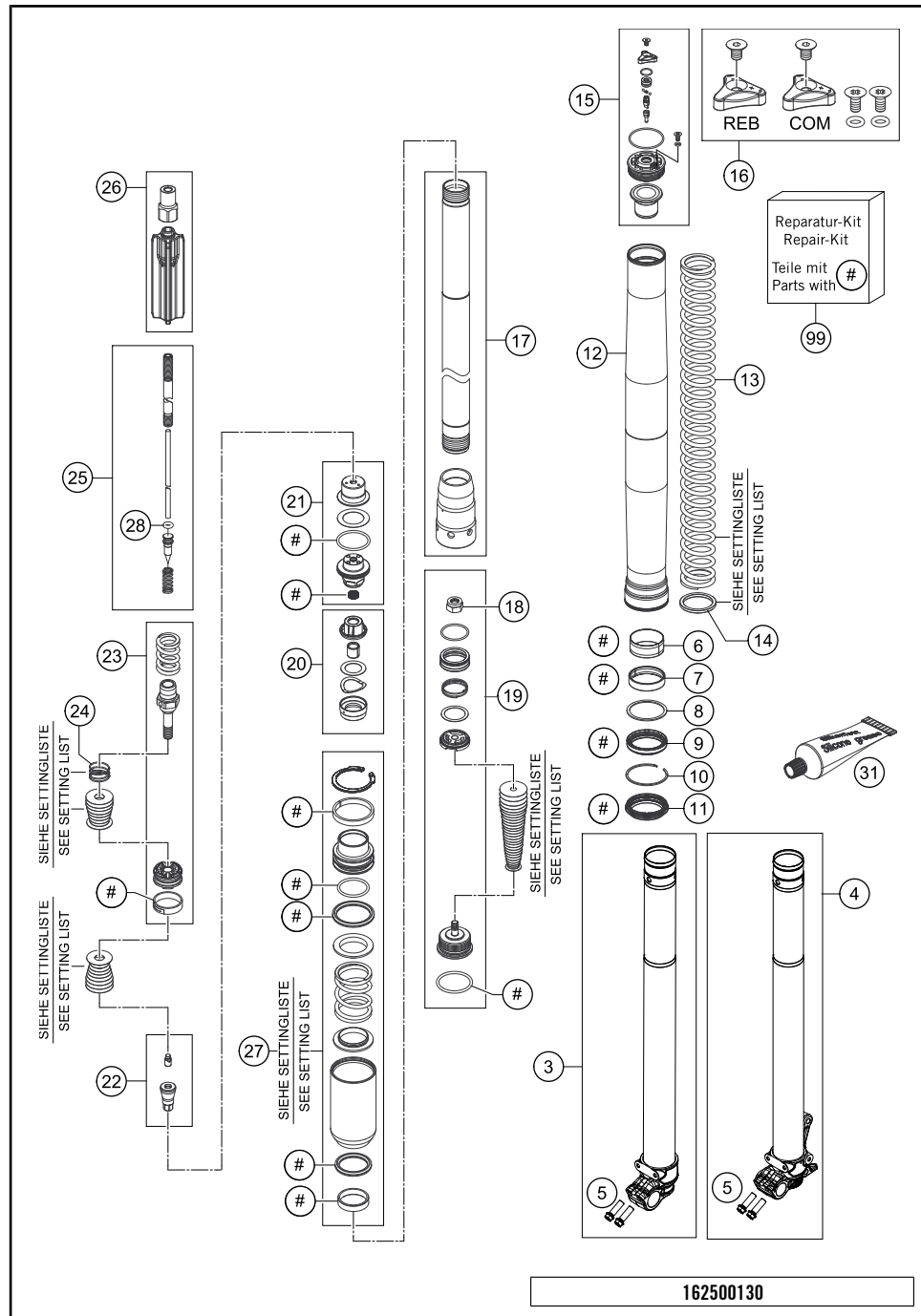


POS	PARTNUMBER	PARTNAME	PIECE
1*	24187P5101	FORK 125/150 SX US 2016	1
2	0025080506	HH COLLAR SCREW M8X50 TX40	4
3	0025080256	HH COLLAR SCREW M8X25 TX40	8
4	0025080406	HH COLLAR SCREW M8X40 TX40	4
5	0025080256S	HH COLLAR SCREW M8X25 TX40	1
6	0032100356S	AH-COLLAR SCREW M10X35 ISA45	2
7*	83001040000	RUBBER BUSH	4
8	0770025035	O-RING 25X3,55 NBR70 05	1
9	0017060206	SCREW F. PLASTIC K60X20AL SW6	2
10*	79001037034	HANDLEBAR SUPPORT LOWER PART	2
32*	7900103212230	BOTT.TRIPLE CLAMP VMT. X=22MM	1
34*	7900103412230	TOP TRIPLE CLAMP X=22MM 2016	1
36	70009082000	AXLESCREW M20X1.5; SW17	1
38	77201038000	HANDLEBAR CLAMP 28MM	2
39*	79001139036	HANDLEBAR SUPPORT D28MM-H36MM	1
81	54201081100	TAPERED ROLLER BEARING CPL. 06	2
82	77701084000	O-RING SUPPORT W. SEALING LIP	1
84	54601184000	STEERING HEAD GASKET TOP	1
85*	2500108500028	CLAMP BRAKE HOSE	1
86	78101086000	STEERING HEAD COVER	1
91	59001092050	SPECIAL SCREW M6X12,5 WS=8	6
92*	2500109400028B	FORK PROTECTION SET TC/FC 16 WITH DECAL	1
97	48600698	FORK PROTECTION RING 08	2
98	00050000928	HANDLEBAR SUPPORT KIT D28/H36	x
99	00050000930	STEERING HEAD REP. KIT 06-15	x

168030110

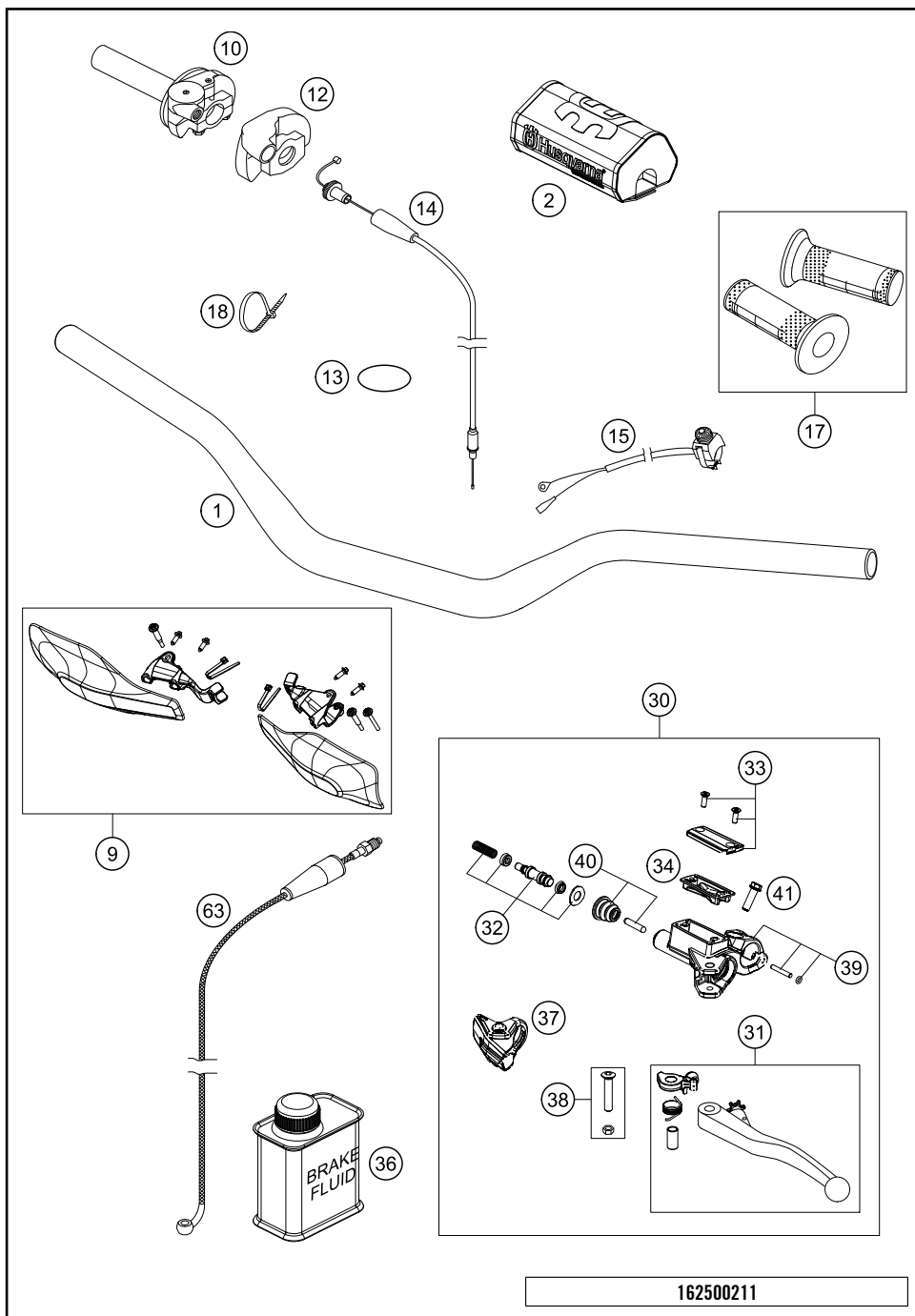
C162500111

* NEW PART X ON DEMAND



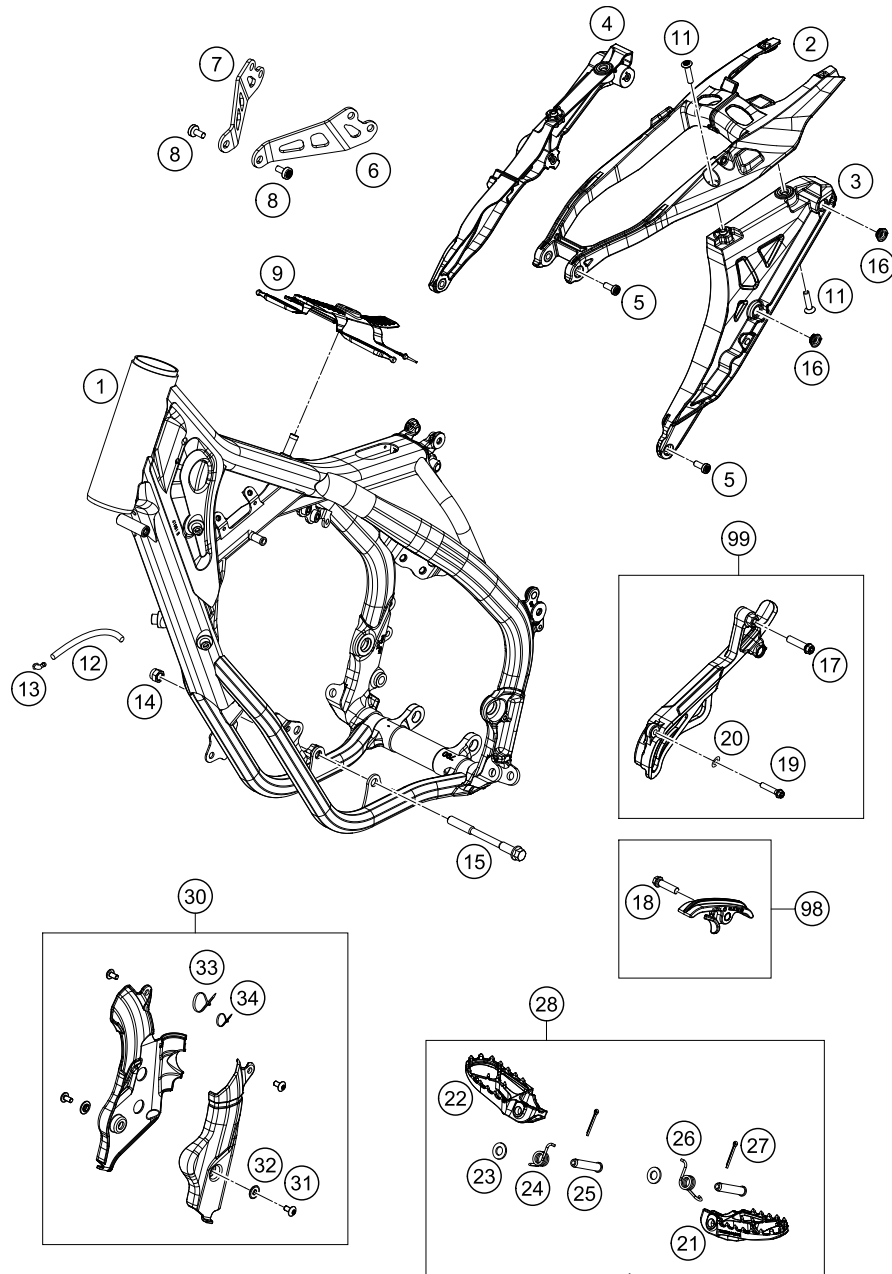
POS	PARTNUMBER	PARTNAME	PIECE
3	48601327S1	AXLE CLAMP R/S WITH INNER TUBE	1
4	48601326S1	AXLE CLAMP L/S WITH INNER TUBE	1
5	0025080256	HH COLLAR SCREW M8X25 TX40	4
6	48601008	GUIDING BUSH 47X49X20 R11	2
7	48601009	GUIDING BUSH 48X52X12 R11	2
8	48600013	SUPPORT RING 50 X 57,6 X 1,5	2
9	48601179	OIL SEALRING D48X57,9X11,4 RED	2
10	48600070	LOCK WASHER SB58	2
11*	48601562	% DUST SEAL D48X58,4X5,7 RED	2
12	48600736	OUTER TUBE L577 D54/60MM 2L	2
13	91410100S	SPRING 4,0N/MM SET D=4,9MM	x
13	91410101S	SPRING 4,2N/MM SET D=4,9MM	x
13	91410102S	SPRING 4,4N/MM SET D=4,9MM	x
13	91410103S	SPRING 4,6N/MM SET D=4,9MM	x
13	91410104S	SPRING 4,8N/MM SET D=4,9MM	x
13	91410105S	SPRING 5,0N/MM SET D=4,9MM	x
14	48600456	SPACER 43X35X2,5	x
14	48600458	SPACER 43X35X1,5	x
15	48601116E	SCREW CAP M51X1,5 CPL.	1
15	48601050E	SCREW CAP M51X1,5 REB. KPL.	1
16	R14033	SCREW CAP SMALL PART KIT	1
17	48601031S	CARTRIDGE KIT	2
18*	40540486	NUT M6X0,5 REBOUND	2
19*	48601279S	BASE VALVE KIT	2
20	48601025S1	CHECK VALVE D21 CPL.	2
21	R14035	SCREW SLEEVE KIT	2
22*	48601527S	NEEDLE KIT	2
23*	R14056	TAP KIT	2
24	48600382	SHUTTLE VALVE SPRING C=0,4	2
25	48601343S	PISTON ROD CPL.	2
26	48601035S1	SPRING GUIDE CPL.	2
27*	48601315S5	PRESSURE TANK FOR 24187P** CPL	1
28	46811265	O-RING VITON 2,2X1,6	2
31	T511	SILICONE GREASE F. DUST STRI	1
99	R24001	REPAIR - KIT	x

* NEW PART X ON DEMAND



POS	PARTNUMBER	PARTNAME	PIECE
1*	2500200100030	HANDLEBAR D=28MM	1
2	80302602144	BAR PAD 2015	1
9*	2500207900028	HANDGUARD CPL. LE.+RI. WHITE	1
10	51502010200	THROTTLE GRIP CPL. 2ST. 13	1
12	50302020000	PROTECTION COVER '97	1
13	0770049025	O-RING 49,00X2,50 NBR	1
14	51502091200	THROTTLE CABLE 2-ST. 2014	1
15	50311089200	SHORT CIRCUIT BUTTON 02	1
17	80302021000	GRIP SET BLACK/WHITE	1
18	44011076200	CABLE TIE 200/3,6MM BLACK	1
30*	25002030044	MASTER CYLINDER DOT CPL. 9,0MM	1
31	50302031300	CLUTCH LEVER CPL. 2009	1
32*	25002032000	REP. KIT PISTON DOT 9,0MM	1
33*	25002033000	COVER HYDR. CLUTCH DOT CPL.	1
34	50302034100	RUBBER FOR RESERVOIR 09	1
36	50302036200	OIL FOR HYD. CLUTCH 100 ML	1
37	76502037000	PROTECT.CAP FOR LEVER PERCH 13	1
38	50302038200	LEVER SCREW SHORT CPL. 09	1
39*	25002044000	CLAMP CPL. SEND BLASTED	1
40	50302046000	PUSH ROD CPL. 09	1
41	0025060166	HH COLLAR SCREW M6X16 TX30	1
63*	25032063000	CLUTCH PIPE L=955MM	1

* NEW PART X ON DEMAND



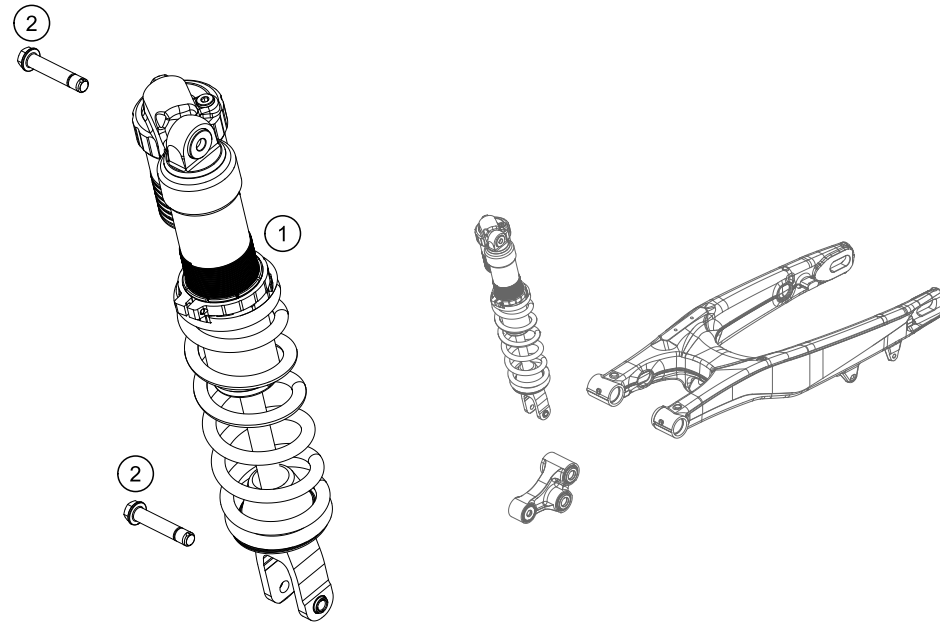
POS	PARTNUMBER	PARTNAME	PIECE
1*	5040300100028	FRAME "504P3" WHITE	1
2*	25003002010	SUBFRAME UPPER PART	1
3*	25003002020	SUBFRAME L/S	1
4*	25003002030	SUBFRAME R/S	1
5	0035080206S	AH-COLLAR SCREW M8X20 ISA45	4
6*	50403013000	ENGINE BRACE L/S	1
7*	50403014000	ENGINE BRACE R/S	1
8*	0035080156S	AH-COLLAR SCREW M8X15 TORX45	6
9*	79007012000	TANK REST RUBBER	1
11	0019080306S	COUNTER-SUNK SCREW ISA45 M8X30	4
12	55007016001	PVC-HOSE 7X10 PER METER	x
13	50303089000	ANGLE PIECE '97	1
14	54310086100	SELF LOCKING NUT M10 CU WS=14	2
15	77203014000	ENGINE BRAC.SCR. M10X115	2
16	47106003160	QUICK CONNECTOR CLUTCH	4
17*	0025080356	HH COLLAR SCREW M8X35 TX40	1
18	0025080306	HH COLLAR SCREW M8X30 TX40	1
19*	0025060406	HH COLLAR SCREW M6X40 TX30	1
20*	0125060003	WASHER DIN0125-A 6,4	1
21*	79003040000	FOOTREST L/S 2016	1
22*	79003041000	FOOTREST R/S 2016	1
23	0125100003	WASHER DIN0125-A10,5	2
24*	79003044000	FOOTREST SPRING R/S 2016	1
25	54803044000	PIN FOR FOOT PED 51.5X9.8 MM	2
26*	79003045000	FOOTREST SPRING L/S 2016	1
27	0094032253	PIN DIN0094-3,2X25 STEEL	2
28*	79003040033	FOOT PEGS SET CPL. 2016	1
30*	2500309400030	FRAME PROTECTION SET BLACK	1
31*	78105081010	SCREW TORX M5X10	4
32*	54803092060	BUSH F. FRAME PROTECTION 03	2
33*	44011076305	CABLE TIE 300/4,8MM BLACK	2
34*	44011076140	CABLE TIE 140/2,5MM BLACK	1
98*	79003053010	CHAIN SLIDING KIT BELOW CPL.16	1
99*	50403096010	SPROCKET COVER KIT	1

162500311

C162500311

* NEW PART

X ON DEMAND



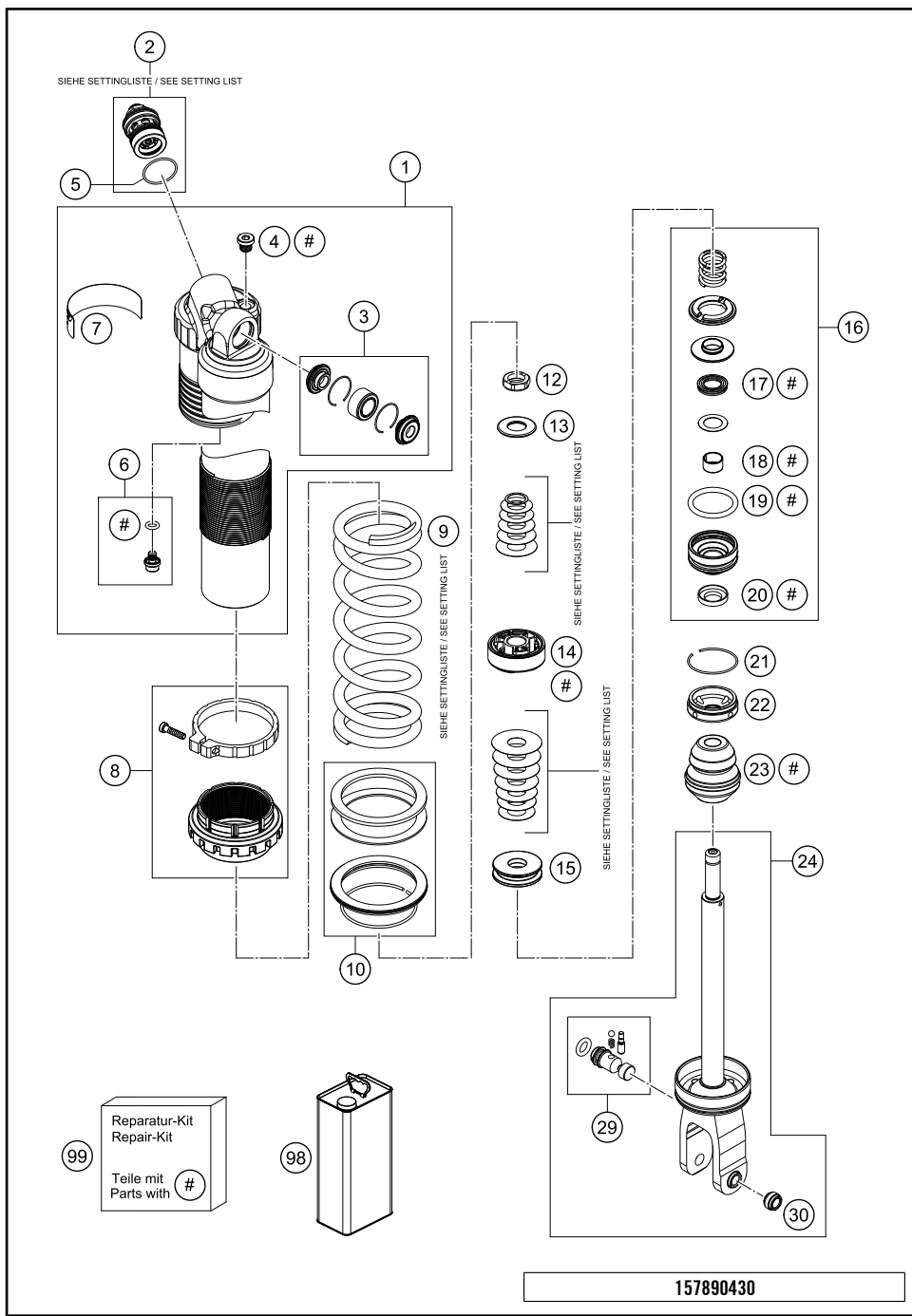
POS	PARTNUMBER	PARTNAME	PIECE
1*	18187P5101	MONOSHOCK LINK 125/150 SX US16	1
2	77204089000	HH COLLAR SCREW M10X52 SW13	2

165040410

C165040411

* NEW PART

X ON DEMAND



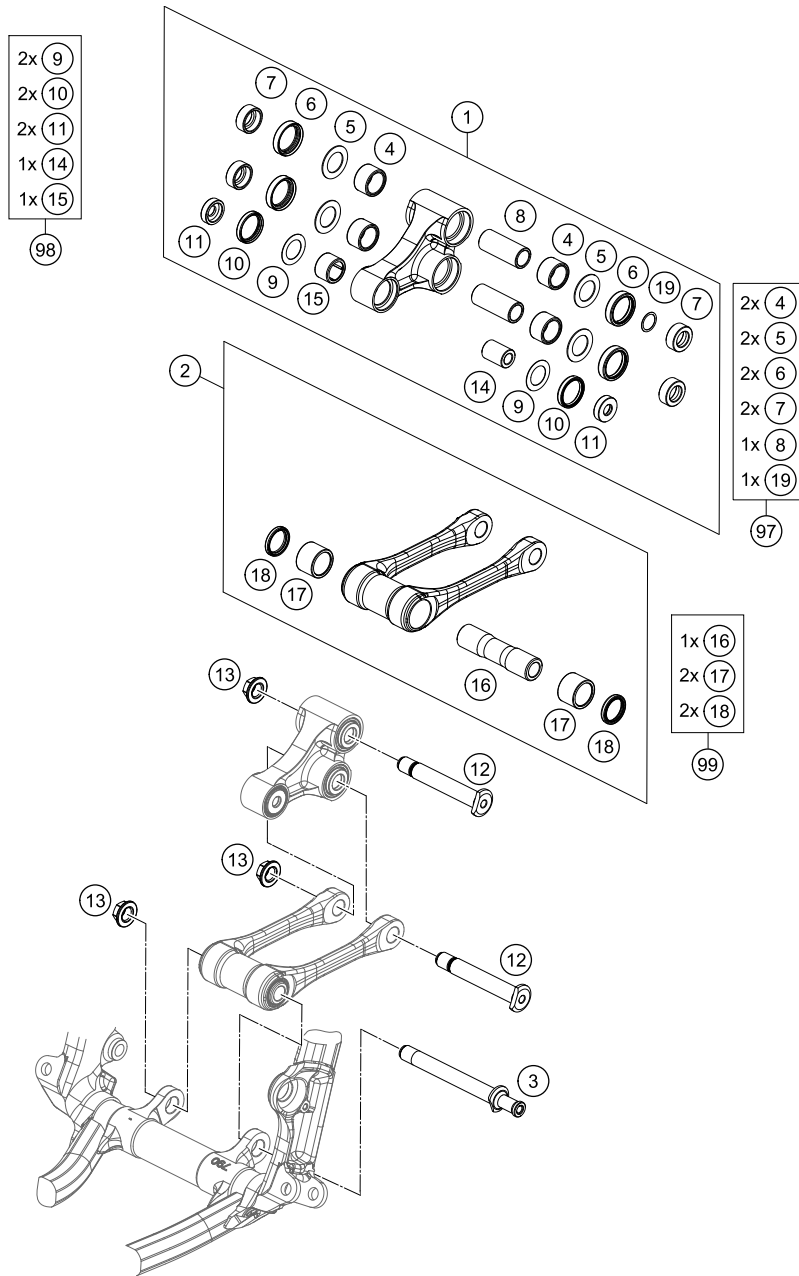
POS	PARTNUMBER	PARTNAME	PIECE
1*	50181040S1	MONOSOCK UPPER PART CPL.	1
2*	50181101S1	DCC-COMPR.DAMP.CONTROL LINK 16	x
2*	50181101S2	DCC-COMPR.DAMP.CONTROL LINK 16	x
2*	50181101S3	DCC-COMPR.DAMP.CONTROL LINK 16	x
3*	R12025	REP.KIT BEAR./SEAL KGW 1525 HD	1
4	50180095	BLEED PLUG R 1/8	1
5*	50180218	O-RING 25X1,5 VITON	1
6*	36120151S	PLUG SCREW M5X6 CPL.	1
7*	52000128	STICKER WP WARNING	1
8*	50180991S	SPRING ADJUSTER PLASTIC CPL.	1
9*	91210112S	SPRING 247 39 N/MM	x
9*	91210106S	SPRING 247 42 N/MM	x
9*	91210107S	SPRING 247 45 N/MM	x
10*	50180824S	SPRING PLATE SET	1
12*	50181112	PISTON ROD NUT M12X1	1
13*	50181092	REBOUND DISC 12X34 T2 H0	1
14*	50181030E	PISTON ID12	1
15*	50181091	REBOUND DISC 12X43 H8	1
16	50180603SA	ADAPTER D50 H28 CPL.	1
17	50180605S	SEAL D18X30X5 08	1
18	46180119	DU-BUSH 18X20X12	1
19	50180103	O-RING 41X5	1
20	50180606	DUST SEAL 1828 08	1
21	50180126	CIRCLIP 53X1,75	1
22	50180626	RESERVOIR CAP D=50 H=10 09	1
23*	50181100	BUMP RUBBER 57X18 H46	1
24*	50181032S1	MONOSHOCK BOTTOM PART CPL.	1
29*	50181094S	ADJUSTING SCREW M8X0,5 CPL.	1
30	46811205	ADAPTOR-BUSH M10x1,50, D=15	1
98	50180751S1	SHOCK ABSORBER FLUID 5 LT	1
99	R12029	REP. KIT 5018 LINK 2016 US/HQV	x

157890430

C165040431

* NEW PART

X ON DEMAND



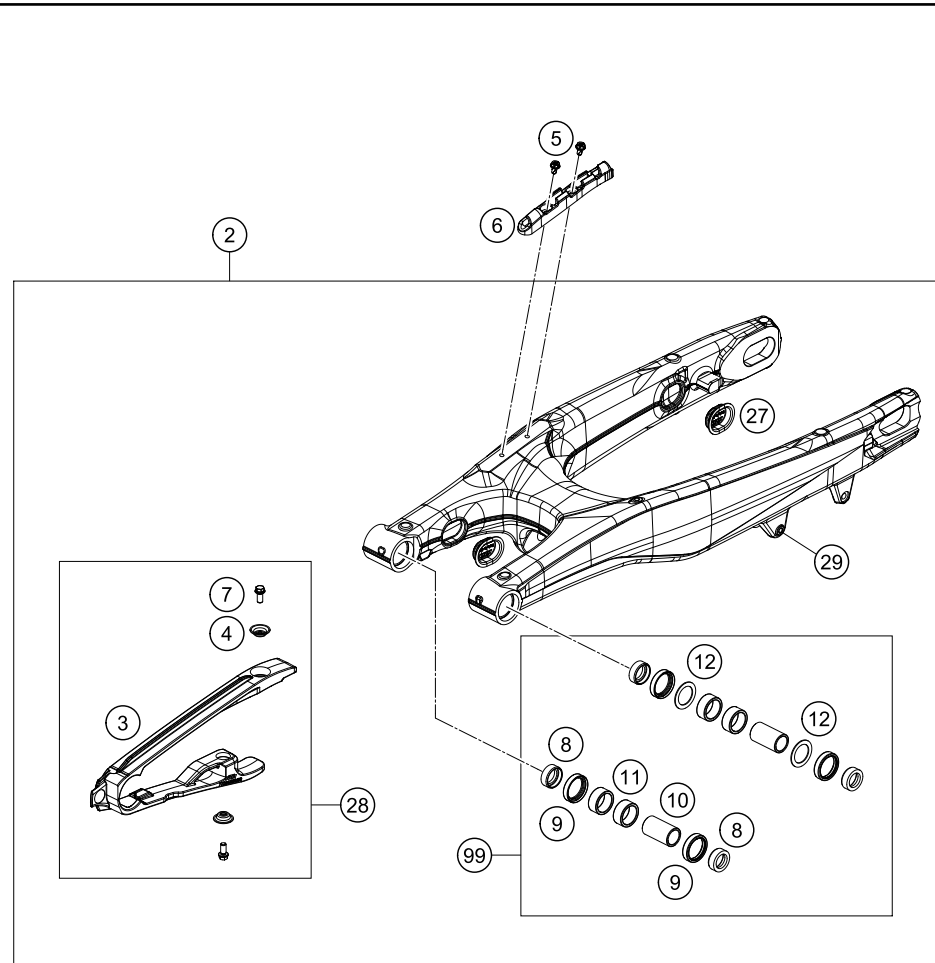
POS	PARTNUMBER	PARTNAME	PIECE
1*	7900408004401	TRIANGLE LEVER CPL. SX 2016	1
2*	7900408304401	PULLROD CPL. SX 2016	1
3*	79004084000	BOLT TIE-ROD BEARING M14X1,5	1
4	54603097000	NEEDLE BUSH HK 2016	4
5	59033080000	SHIM 20X32X1	4
6	0760253270	SHAFT SEAL RING 25X32X7	4
7	77204080130	BUCKET SHAFT SEAL RING 25X11	4
8	54603081000	BUSHING SLEEVE 15 X 20 X 48	2
9	50180604	SHIM D29,75 X D19 X T0,4 08	2
10	0760243050	SHAFT SEAL RING 24X30X5	2
11	77204080020	BUCKET FOR SHAFT SEAL RING	2
12	77204085000	BOLT FOR CANTILEVER M14	2
13	77204087000	HEX NUT M14X1.5 SW17	3
14	77204080010	BEARING SLEEVE 10X18X25,5	1
15	0618182416	NEEDLE BUSH HN1816 RS 18/24/16	1
16*	79004084010	BEARING SLEEVE F. TIE-ROD 16	1
17	0618222820	NEEDLE BEARING HK2220 22X28X20	2
18	0760222841	SHAFT SEAL RING G22x28x4	2
19	54603090010	STEEL WASHER 15,2X19X0,1	x
19	54603090020	STEEL WASHER 15,2X19X0,2	x
19	54603090030	STEEL WASHER 15,2X19X0,3	x
97	77204080110	TRIANGLE LEVER REP. KIT REAR	x
98	77204080090	TRIANGLE LEVER REP. KIT FRONT	x
99	79004083010	PULL ROD REP. KIT SX-F	x

157890460

C167900460

* NEW PART

X ON DEMAND



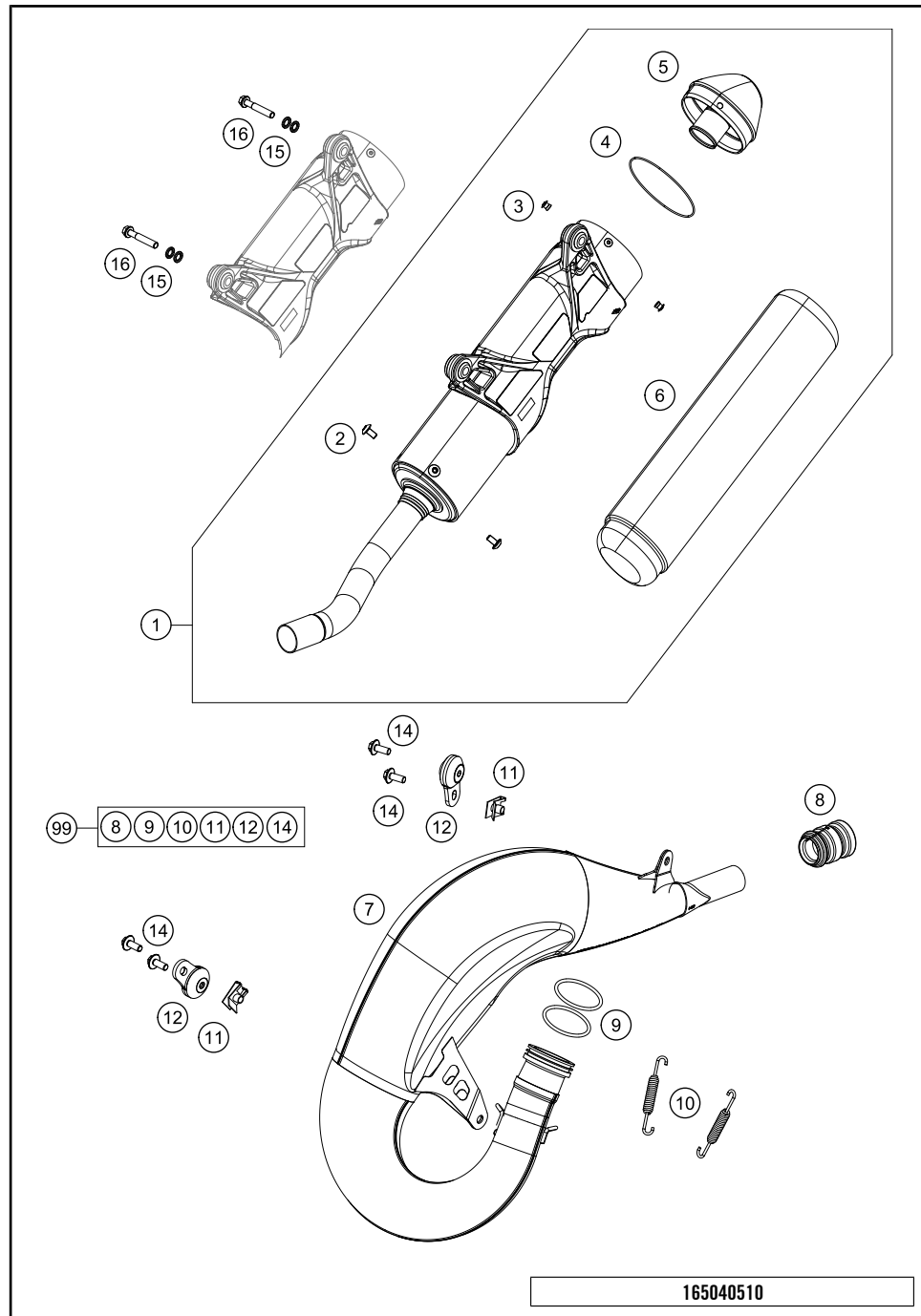
POS	PARTNUMBER	PARTNAME	PIECE
2*	25004030044	SWINGARM CPL. 2016	1
3	77204066100	CHAIN SLIDING PROTECTION	1
4	77304066050	BUSHING F. CHAIN SLIDING PR.07	2
5	0009050106	EJOT SPIRAL SCREW SF M5X10-K	2
6*	79004042000	BRAKE HOSE GUIDE	1
7	59009062013	SPECIAL SCREW M6X13 WS=8 10.9	2
8*	77704034000	SUPPORT F. SHAFT SEAL RING 16	4
9	0760253270	SHAFT SEAL RING 25X32X7	4
10*	59404032000	BEARING SLEEVE 17X22X38,7 03	2
11*	0618222812	NEEDLEBEAR HK2212V 22/28/12 MB	4
12	54603036000	STOP DISK 22,2X31,7X1	2
14*	79004070000	CHAIN GUIDE	1
15	59009062019	SPECIAL SCREW M6X19 WS=8 10.9	1
16	0025060456	HH COLLAR SCREW M6X45 TX30	1
17	77304070130	BUSH. F. CHAIN FAIL. PROT. 07	1
25*	79004037000	SWING ARM M16X1,5 2016	1
26	54804038000	SELF LOCK.NUT M16X1,5 WS=19 03	1
27	77204041000	CLOSING COVER	4
28	77204066010	CHAIN GUARD CPL. 11-15	1
29	54603055051	PRESS IN NUT M6 STEEL ZINC	1
98	79004070010	CHAIN GUIDE KIT REAR 16	1
99	79004030010	SWING ARM REPAIR KIT SX-F	x

167940490

C162500490

* NEW PART

X ON DEMAND



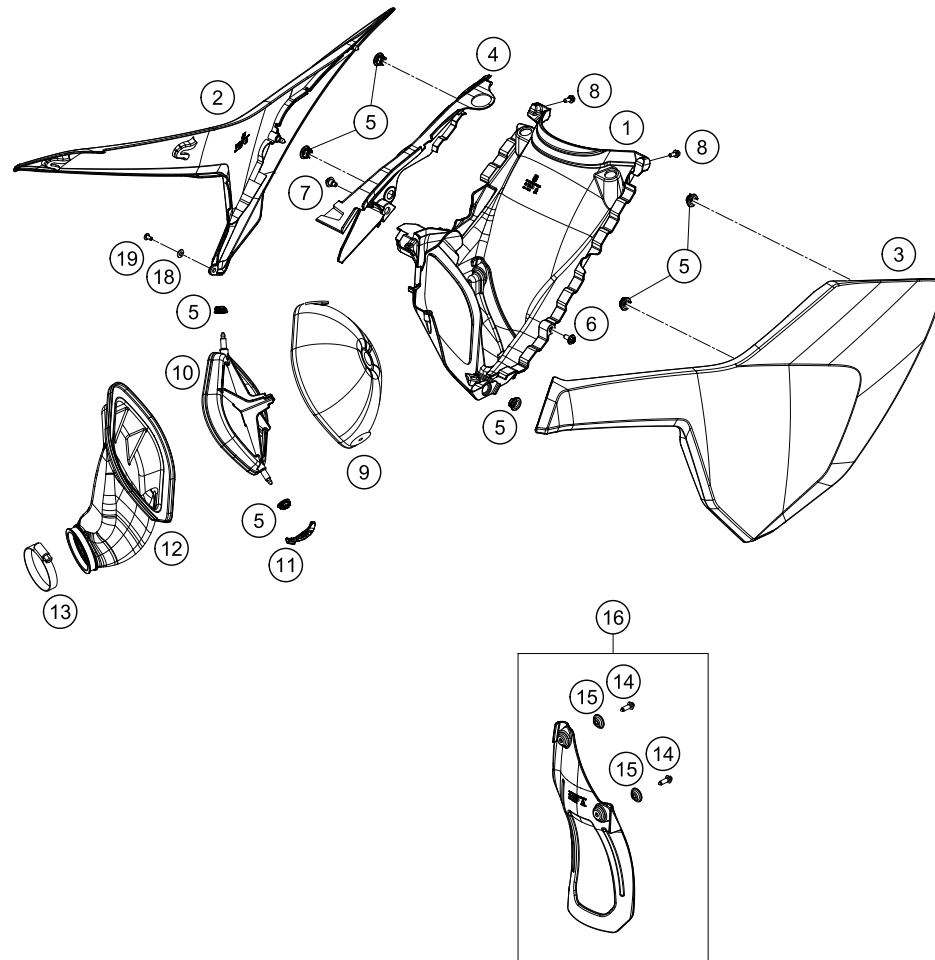
POS	PARTNUMBER	PARTNAME	PIECE
1*	50405079000	SILENCER	1
2*	78105081010	SCREW TORX M5X10	4
3	0011480800	DUMMY RIVET 4,8X 8 NIRO	4
4	0770740015	O-RING 74,00X1,50 FKM 75SH	1
5	50305083260	END CAP CPL.	1
6*	50405078220	ROCK WOOL 220G	1
7*	50405007100	EXHAUST PIPE	1
8	54605057000	RUBBER SLEEVE D=21MM/23MM '93	1
9*	0770380030	O-RING 38,00X3,00 VITON	2
10	50305016000	TEN.SPRING L=62MM EY.MOVEABLE	2
11	54603048100	RANGE CHANGE METAL NUT M6	2
12	50305012000	SWINGELEMENT FOR EXHAUST PIPE	2
14	0024060156	HH COLLAR SCREW M6X15 TX30	4
15*	50233041000	PAIR OF WASHERS M 6 NORDLOCK	2
16*	0025060356	HH COLLAR SCREW M6X35 TX30	2
99	00050000810	EXHAUST HARDWARE KIT 05-15	x

165040510

C165040510

* NEW PART

X ON DEMAND



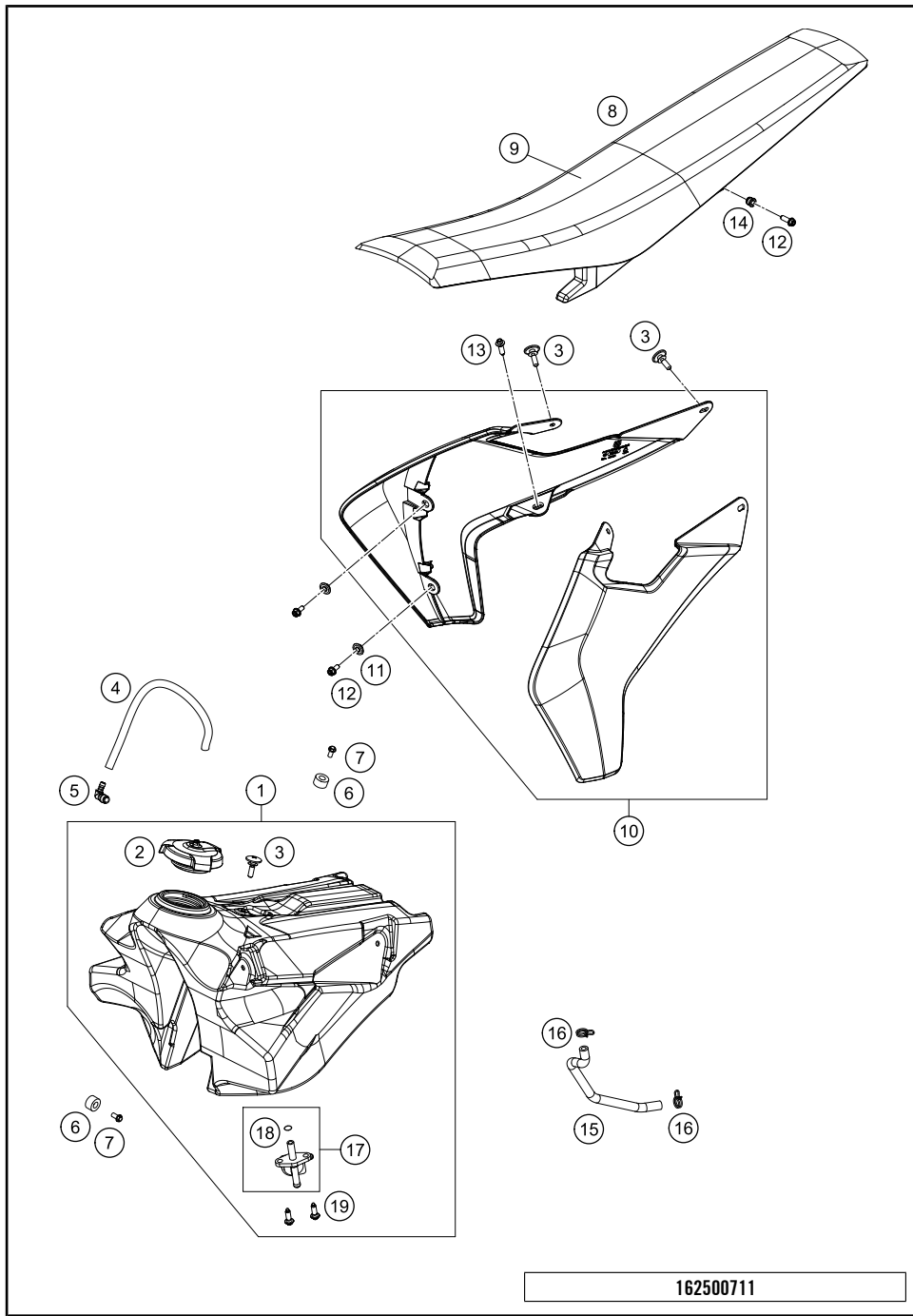
POS	PARTNUMBER	PARTNAME	PIECE
1*	25006001000	AIR FILTER BOX	1
2	2500600400028A	FILTER BOX COVER R/S WHITE WITH DECAL	1
3	2500600300028A	FILTER BOX COVER L/S WHITE WITH DECAL	1
4*	25006001050	AIR BOX COVER	1
5	47106003160	QUICK CONNECTOR CLUTCH	7
6*	0024060136	HH COLLAR SCREW M6X13 TX30	1
7*	59001092050	SPECIAL SCREW M6X12,5 WS=8	1
8*	0025050126	HH COLLAR SCREW M5X12 TX30	2
9*	79006015000	AIR FILTER	1
10*	50406016000	AIR FILTER SUPPORT	1
11*	79006017000	FILTER MOUNTING BRACKET	1
12*	50406026000	AIRBOX RUBBER	1
13	51006027000	HOSE CLAMP 50-70MM	1
14	0017060206	SCREW F. PLASTIC K60X20AL SW6	2
15	77304066050	BUSHING F. CHAIN SLIDING PR.07	2
16*	79006010010	SPLASH PROTECTOR KIT	1
18*	25006004050	BUSHING 5,1X6,5X4	1
19*	78105081010	SCREW TORX M5X10	1

162500611

C162500611

* NEW PART

X ON DEMAND



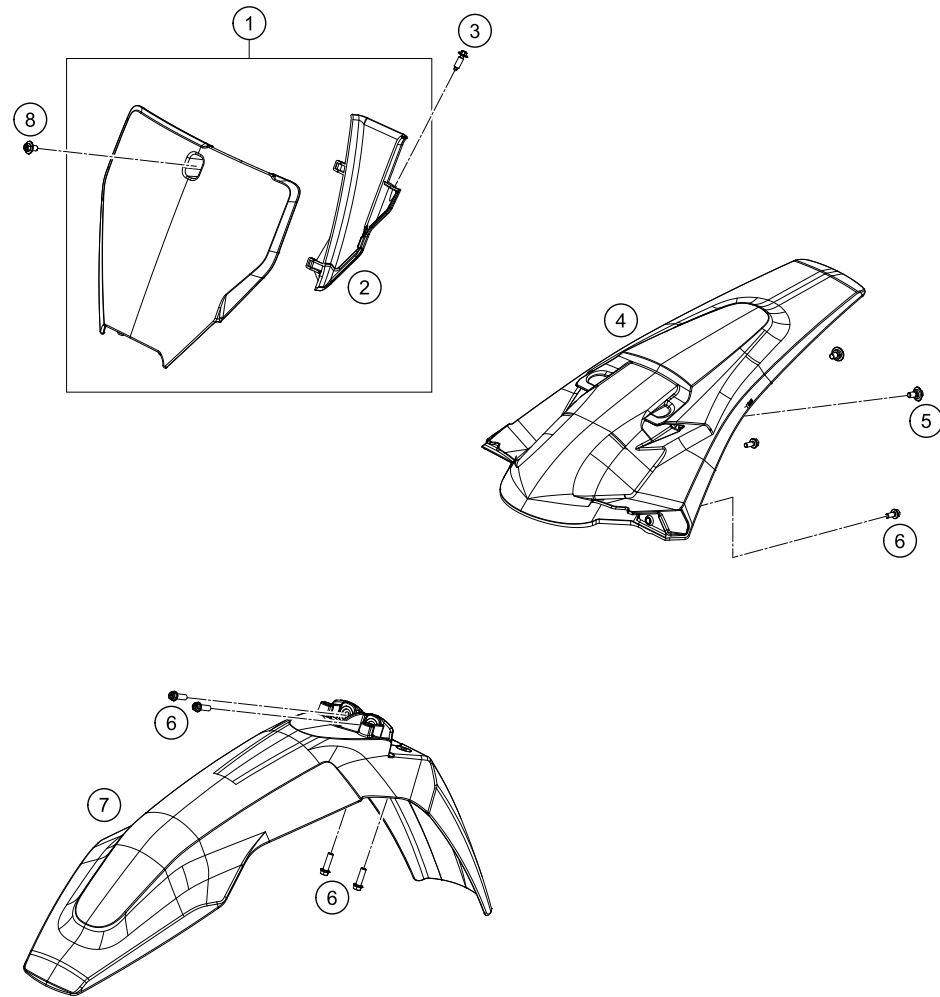
POS	PARTNUMBER	PARTNAME	PIECE
1*	2400701303330	FUEL TANK CPL. 8LT.	1
2*	2500700804455	TANK CAP CPL.	1
3	50307011000	SCREW SEAT FASTENING D=6X23/18	5
4	78007000270	PVC-HOSE 5,6X10X270MM	1
5	51030022000	ANGLE PIECE 90 DEGREE M10X1	1
6	50307014000	TANK ROLLER 12X26X12 '98	3
7	0026060136	COLLAR SCREW M6X13 ISA30	3
8*	25007040000	SEAT CPL.	1
9*	25007040050	SEATCOVER TC/FC 16	1
10*	25008054000HAA	SPOILER SET BLUE TC/FC 2016 WITH DECAL	1
11	50308052000	BUSH FOR SPOILER 6X11X16X5 MM	4
12*	0025060166	HH COLLAR SCREW M6X16 TX30	5
13	0017060206	SCREW F. PLASTIC K60X20AL SW6	2
14*	81303002011	SPACER BUSHING 12X9X6,2	1
15*	50407016000	FUEL HOSE 6X2.5	1
16	50231005000	HOSE CLAMP YDNAC 10119 11MM	2
17	50307005000	GAS COCK MIKUNI ON/OFF 2001	1
18	0770130023	O-RING 13,00X2,30	1
19	0017060205	SCREW FOR PLASTIC K60X20 SW6	2

162500711

C162500711

* NEW PART

X ON DEMAND



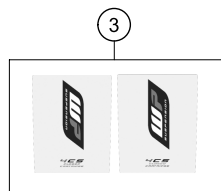
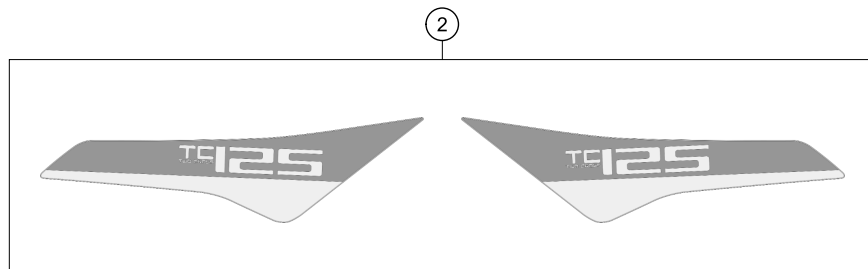
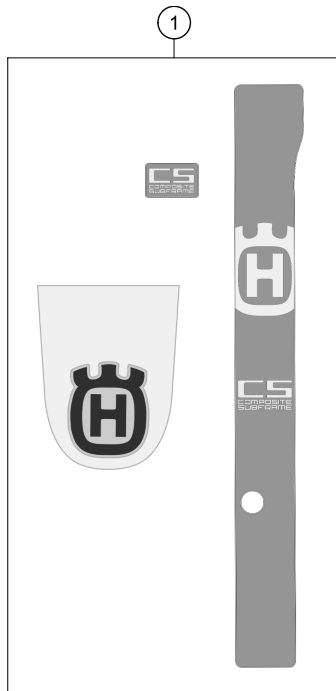
POS	PARTNUMBER	PARTNAME	PIECE
1*	2500800704428	START NUMBER PLATE CPL. HQV	1
2*	2500802200030	BRAKE HOSE GUIDE	1
3	0017060206	SCREW F. PLASTIC K60X20AL SW6	1
4*	25008013000HAA	REAR FENDER BLUE WITH DECAL	1
5*	83008000015	SPECIAL SCREW M6X15X3	2
6*	0025060166	HH COLLAR SCREW M6X16 TX30	6
7*	2500801000028	FRONT FENDER	1
8	0024060106	HH COLLAR SCREW M6X10 TX30	1

162500810

C162500810

* NEW PART

X ON DEMAND



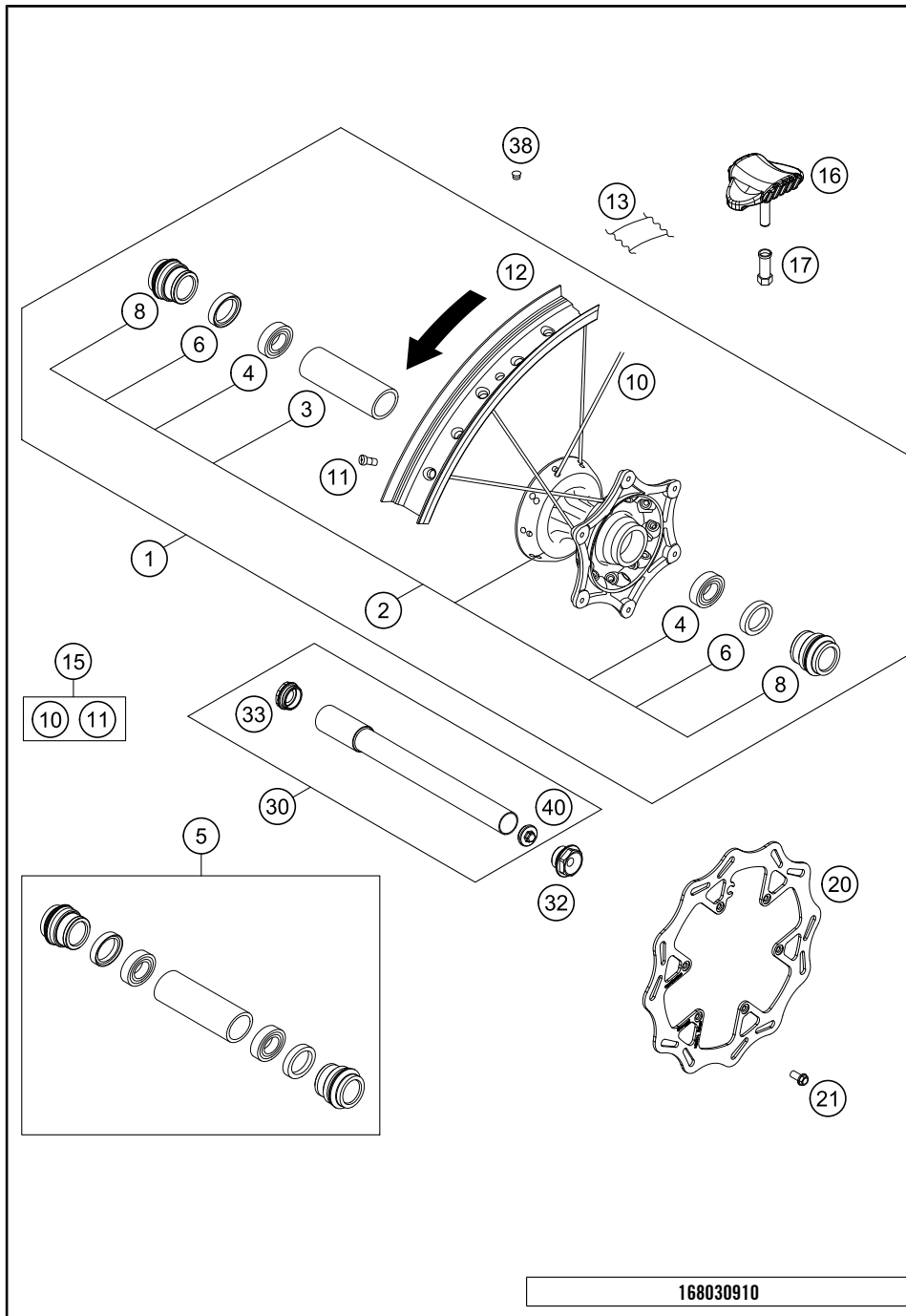
162500831

C162500831

* NEW PART

X ON DEMAND

POS	PARTNUMBER	PARTNAME	PIECE
1*	25008099000	DECAL KIT TC/FC/FS 2016	1
2*	25008092000	DISPLACEMENT STICKERS TC 125	1
3	52000115	STICKER FRONT FORK-SET WP"4CS"	1



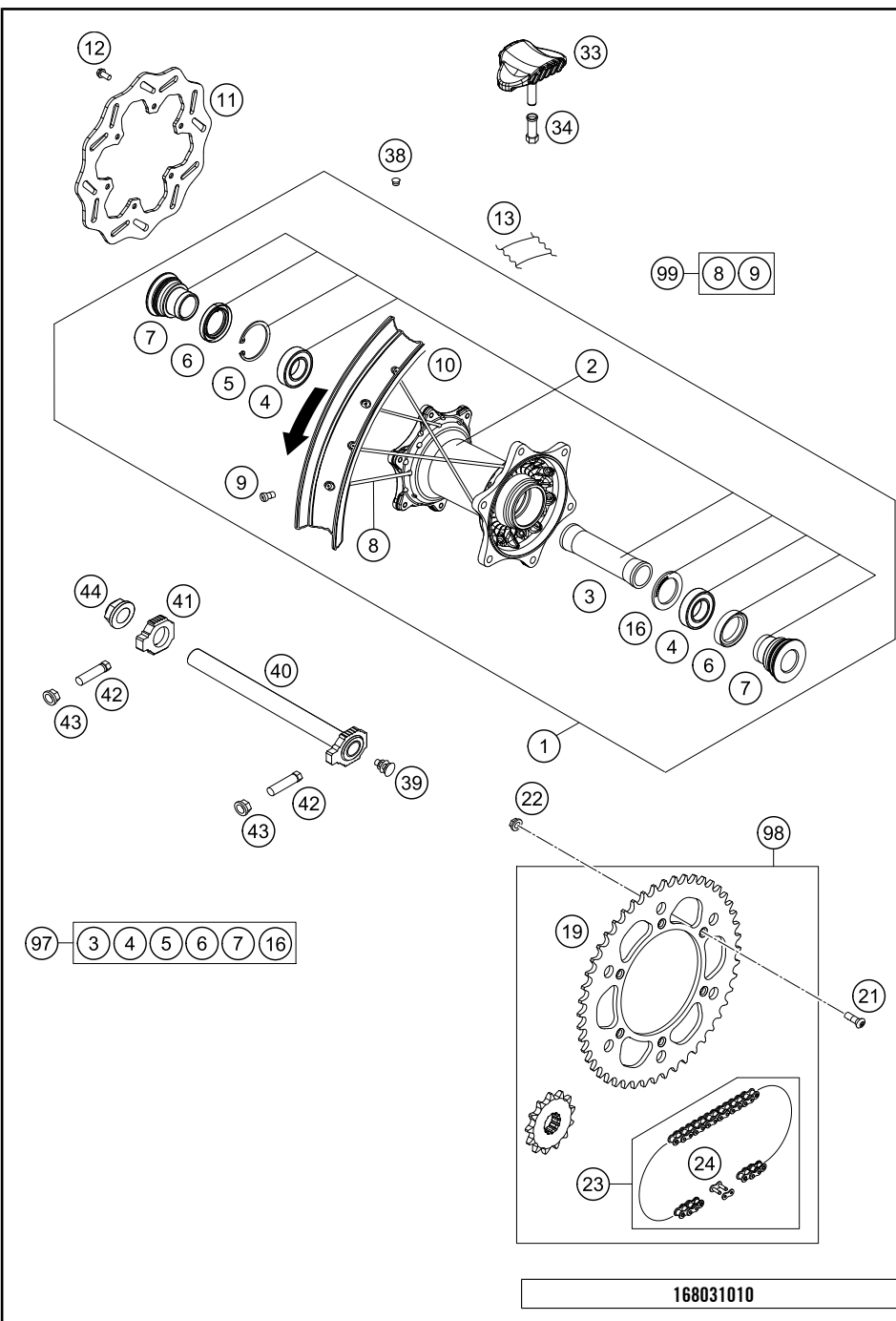
POS	PARTNUMBER	PARTNAME	PIECE
1*	2500900114430	FRONT WHEEL CPL.1,6X21" DID22MM	1
2*	25009010144	FRONT WHEEL HUB CPL.	1
3	54809011000	BEA.SPACERTUBE 35X2 L=79,4 03	1
4	0625069068	GR.BALL BEAR.6906 DDU2CG23S6NM	2
5	77709015000	FRONT WHEEL REP. KIT SX-F USA	1
6	0760354771	SHAFT SEAL RING 35X47X7 TC	2
8	77709012000	SPACER BUSHING F. FR. WHEEL	2
10*	79009071226	SPOKE M4,5X226-21" 16	36
11	77109072000	SPOKE NIPPLE M4,5 AL 11	36
12	8120907010030	RIM FRONT 1,60X21" DID	1
13	50309073000	RIM BAND 21"	1
15	00050000977	SPOKE KIT FRONT	x
16	78109090000	RIM LOCK 1,60"	1
17	77110090050	NUT FOR WHEEL HOLDER	1
20*	25009060000	BRAKE DISC FRONT D=260MM	1
21	59009062013	SPECIAL SCREW M6X13 WS=8 10.9	6
30	77709081033	WHEEL SPIN.FR. CPL. D=22 15	1
32	70009082000	AXLESCREW M20X1.5; SW17	1
33	70009081050	PLUG BUSHING SW17 '12	1
38	55003135000	PLUG FOR RIM	x
40	7770908107055	AUXILIARY SCREW FRONT	1

168030910

C168030910

* NEW PART

X ON DEMAND

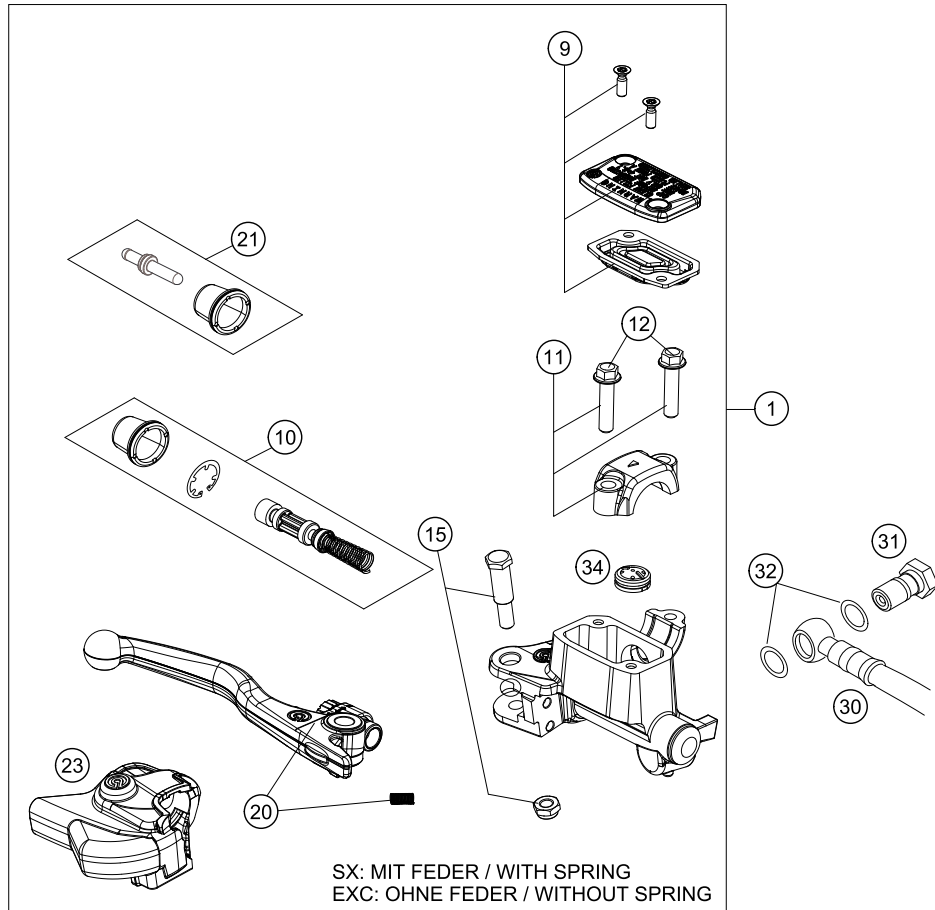


POS	PARTNUMBER	PARTNAME	PIECE
1*	2501000104430	REAR WHEEL CPL.2,15X19" DID 16	1
2*	25010010044	rear hub complete	1
3	77710011000	BEARING DISTANCE TUBE 121,5MM	1
4	0625060058	GR.BALL BEAR.6005 DDU2CG23S6NM	2
5	0472047175	CIRCLIP DIN0472-47X1,75	1
6	0760324771	SHAFT SEAL RING 32X47X7 BSL	2
7*	77710016000	DISTANCE BUSHING REAR WHEEL	2
8*	79010071205	SPOKE M4,5X205-19" 16	36
9	77109072000	SPOKE NIPPLE M4,5 AL 11	36
10*	2501007000030	RIM 2,15X19" DID	1
11*	25010060000	BRAKE DISC REAR D=220MM	1
12	59009062013	SPECIAL SCREW M6X13 WS=8 10.9	6
13	50310073200	RIM BAND 18" AND 19"	1
16	77710015000	DISTANCE RING	1
19	7771015104830	SPROCKET 48-T BLACK	x
19	7771015105030	SPROCKET 50-T BLACK	1
19	7771015105230	SPROCKET 52-T BLACK	x
21	0019080266S	COUNTER-SUNK SCREW ISA45 M8X26	6
22	06923080003	HEXAGON NUT DIN EN1661 M8 SW13	6
23	50310165118	CHAIN 5/8X1/4" MX	1
24	50310166000	CONNECTING LINK F. 50310165118	1
33	78110090000	RIM LOCK 2,15"	1
34	77110090050	NUT FOR WHEEL HOLDER	1
38	55003135000	PLUG FOR RIM	x
39	50210086000	COVERING CAP SFL16	x
40*	77710085044	WHEEL SPINDLE CPL. '13	1
41*	77710084000	CHAIN TENSIONER R/S	1
42	50304040100	SCREW M10X1,25X50 WS=10	2
43	58414030000	HH COLLAR NUT M10X1,25 WS=13	2
44*	61010086000	COLLAR NUT M25X1,5 WS=32 05	1
97	77710015010	REAR WHEEL REP. KIT	x
98	00050002044	DRIVETRAIN KIT HQV 13T/50T	x
98	00050002071	DRIVETRAIN KIT HQV 14T/50T	x
99	00050000979	SPOKE KIT REAR 19"	x

168031010

C162501010

* NEW PART X ON DEMAND



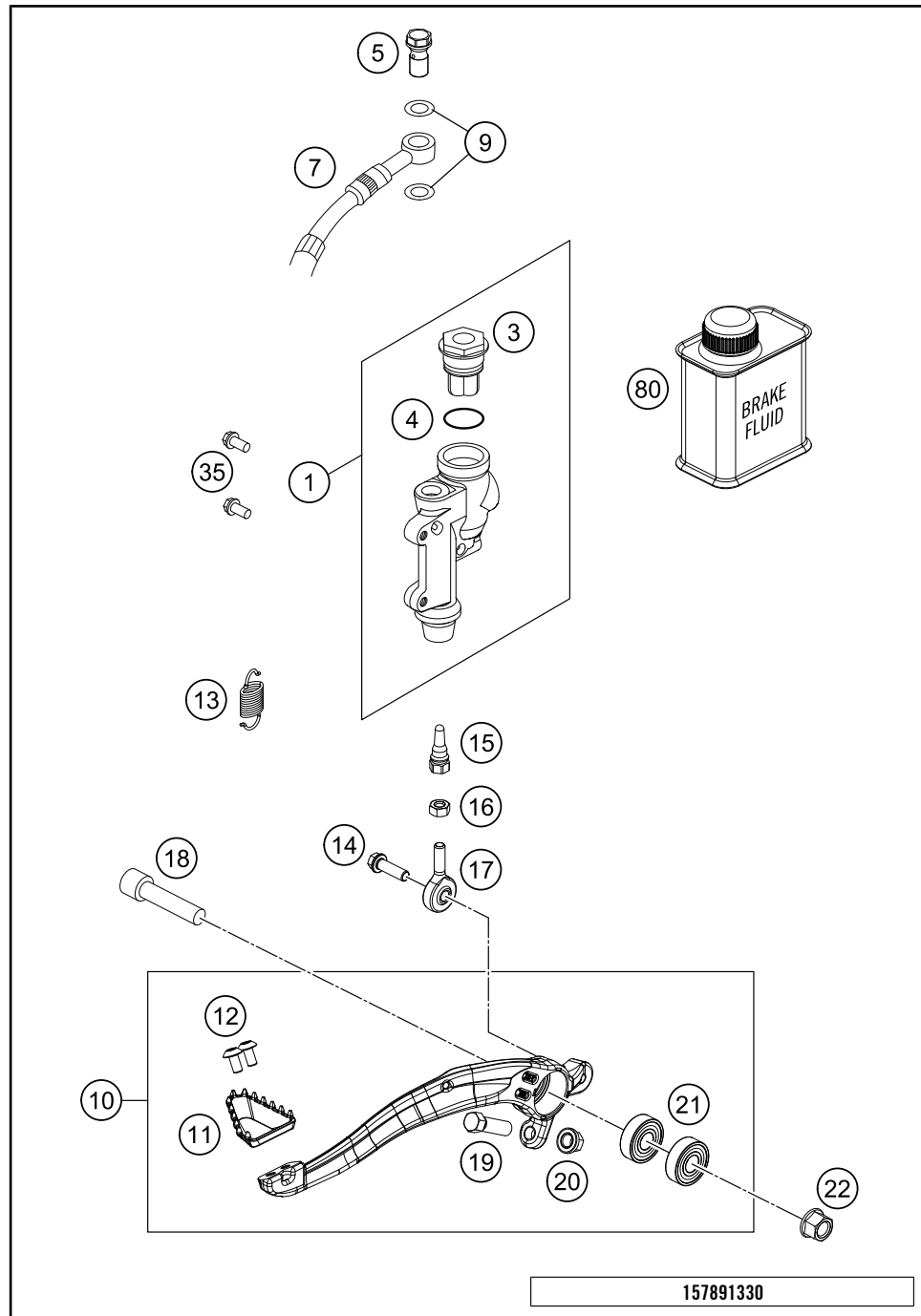
POS	PARTNUMBER	PARTNAME	PIECE
1	77713001044	HAND BREAK CYLIND. CPL. X 2014	1
9	77713003000	HAND BRAKE CYL. COVER	1
10	77713008000	REPAIR KIT PISTON SX 2014	1
11	54802005100	CLAMP CPL. 06	1
12	0025060256	HH COLLAR SCREW M6X25 TX30	2
15	77713006000	LEVER SCREW	1
20	77713002000	HAND BRAKE LEVER +SPRING SX 14 SX WITH SPRING, EXC W/O SPR.	1
21	77713007000	PUSH ROD CPL. SX 2014	1
23	77713004000	PROTECTION CAP HAND BRAKE CYL.	1
30	59013010000	BRAKEHO. FRONT 1235MM 2000	1
31	54813020100	HOLLOW SCREW BLACK M10X1X19	1
32	0603100141	COPPER GASKET DIN7603-10X14X1	2
34	54802051000	VALVE	1
80	00062030000	BRAKE FLUID DOT5.1 0,25L	1

147781310

C148031310

* NEW PART

X ON DEMAND

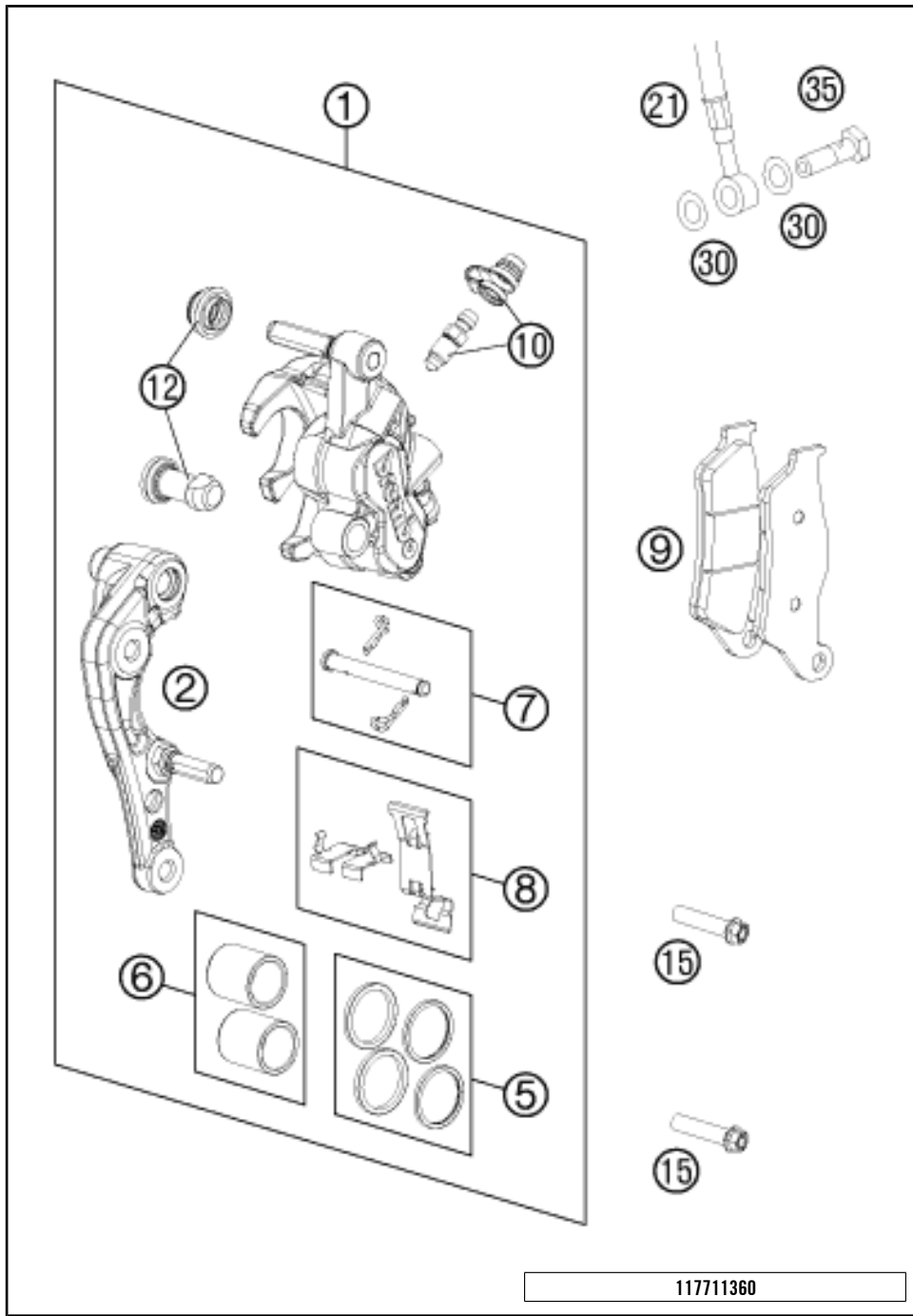


POS	PARTNUMBER	PARTNAME	PIECE
1	77013060044	REAR BRAKE CYLINDER CPL.SX 09	1
3	54813062100	REAR BRAKE CYL. COVER CPL. 04	1
4	54813063000	FOOT-BRAKE CYL. GASKET SX 03	1
5	54813020100	HOLLOW SCREW BLACK M10X1X19	1
7*	77213070100	BRAKE HOSE REAR	1
9	0603100141	COPPER GASKET DIN7603-10X14X1	2
10*	79013050044	FOOT BRAKE LEVER CPL.	1
11*	79413051000	STEP BRAKE LEVER 16	1
12*	78105081010	SCREW TORX M5X10	2
13*	79003062000	RETURN SPRING F. BRAKE LEVER	1
14	0025060206S	HH COLLAR SCREW M6X20 TX30	1
15	54813056000	PUSH ROD L=28MM 03	1
16*	0934060003	HEXAGON NUT DIN0934-M 6	1
17	54813055000	SWIVEL HEAD KA6 03	1
18	0032100406S	AH-COLLAR SCREW M10X40 ISA45	1
19	59001037000	SPECIAL SCREW M8X26 WS=10	1
20	46030045000	COLLAR NUT M8 WS=10	1
21	0625060002	BALL BEARING SKF 6000-2RS1	2
22	54630044000	COLLAR NUT M10 WS=13	1
35	0025060126	HH COLLAR SCREW M6X12 TX30	2
80	00062030000	BRAKE FLUID DOT5.1 0,25L	1

157891330

C167901330

* NEW PART X ON DEMAND

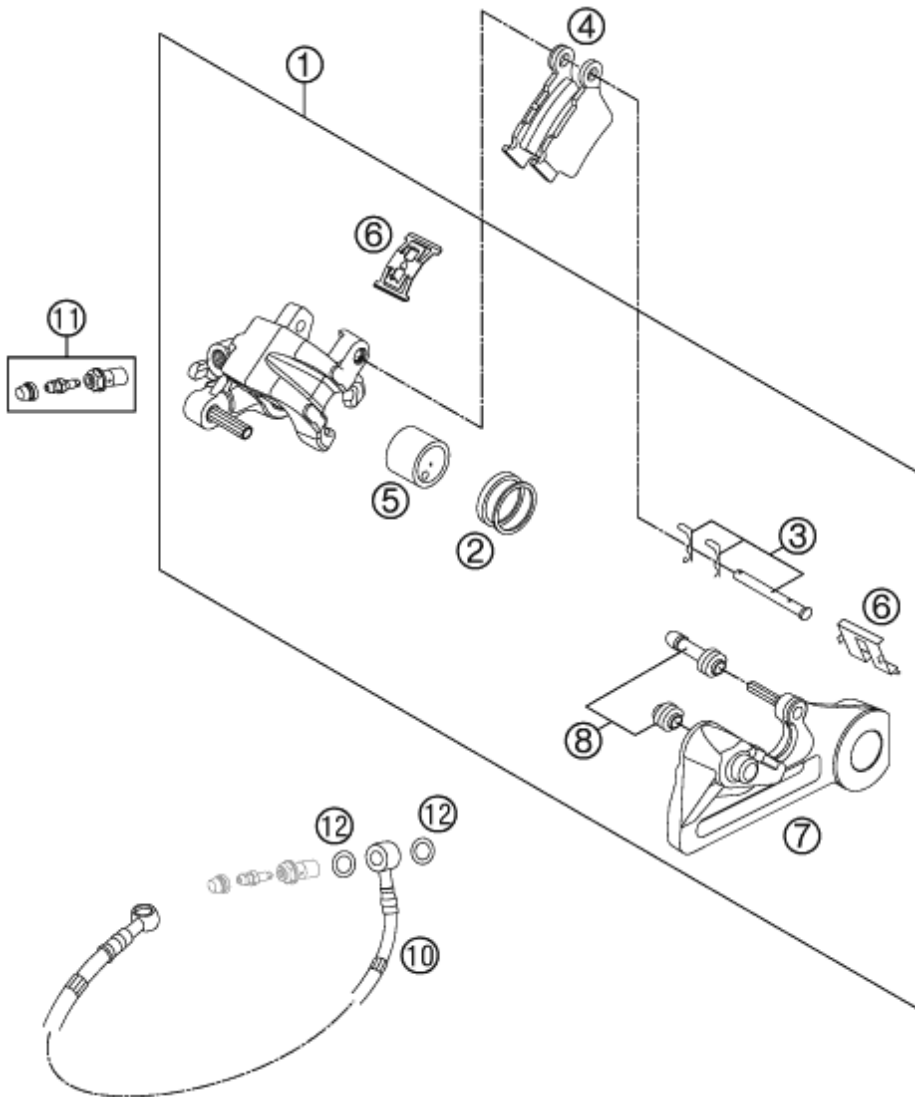


POS	PARTNUMBER	PARTNAME	PIECE
1	7701301500101	CALIPER NAT. WITHOUT PADS	1
2	77013014000	BRAKE CALIPER SUPPORT FRONT 09	1
5	77013021000	REP. KIT SEALS 24MM	1
6	77013019000	REP. KIT PISTON 24MM	1
7	77013017000	BOLT CPL. 09	1
8	77013018000	RETAINING PLATE SET BREMBO	1
9	77713030000	BRAKE PADS FRONT	1
10	61013020100	BLEEDER SCREW WITH CAP	1
12	54613218000	CUP SET SHORT	1
15	0025080306S	HH COLLAR SCREW M8X30 TX40	2
21	59013010000	BRAKEHO. FRONT 1235MM 2000	1
30	0603100141	COPPER GASKET DIN7603-10X14X1	2
35	50213025000	HOLLOW SCREW M10X1X19	1

117711360

C165481361

* NEW PART X ON DEMAND



POS	PARTNUMBER	PARTNAME	PIECE
1*	77713080001	BRAKE CAL. REAR - WITHOUT PADS	1
2	50313081200	REPAIR KIT SEALING RINGS 26MM	1
3	54813082000	BOLT SET FOR BRAKE CALIPER 03	1
4	54813090300	BRAKE PAD SET REAR TOYO	1
5	77713083000	BRAKE PISTON 26MM 2013	1
6	54813018000	RETAINING SPRING SET 2003	1
7*	77713075000	BRAKE CALIPER BRACKET REAR	1
8	54613218000	CUP SET SHORT	1
10*	77213070100	BRAKE HOSE REAR	1
11	62513020000	BLEEDER SCREW CPL. 05	1
12	0603100141	COPPER GASKET DIN7603-10X14X1	2

117711390

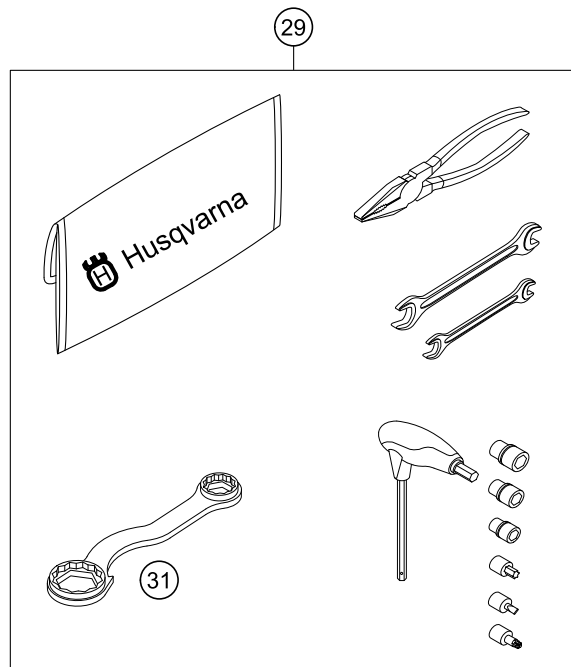
C162501390

* NEW PART

X ON DEMAND

0
OHNE ABBILDUNG
WITHOUT ILLUSTRATION

1
TECHNISCHE DOKUMENTATION
TECHNICAL DOCUMENTATION
DOCUMENTACION TECNICA
DOCUMENTATION TECHNIQUE
NOTE TECNICHE



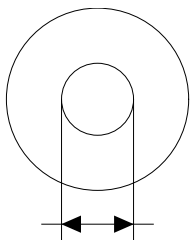
POS	PARTNUMBER	PARTNAME	PIECE
0	HQV0110	HUSQVARNA BALLPOINT PEN	1
0	80312002000	DOCUMENTS BAG HUSQVARNA	1
0	HQV0120	HUSQVARNA NOTE-PAD	1
0	00063004202	PRINT LABEL 60X51 MM	1
0	79003040033	FOOT PEGS SET CPL. 2016	1
0	80302602144	BAR PAD 2015	1
0	50435033000	RADIATOR COVER FULL	1
0	50435033100	RADIATOR COVER HALF	1
0	2500207900028	HANDGUARD CPL. LE.+RI. WHITE	1
0	77703020000	PLUG-IN STAND	1
0	2500309400030	FRAME PROTECTION SET BLACK	1
0	52000115	STICKER FRONT FORK-SET WP"4CS"	1
0	00063004012	HEADLIGHT MASK BOX	1
1	3402058EN	OWNERS MANUAL 125/250 TC 2016	1
29	80329899000	TOOL KIT	1
31	50329080100	WRENCH SW=17/21/27/32 B&F	1

148132000

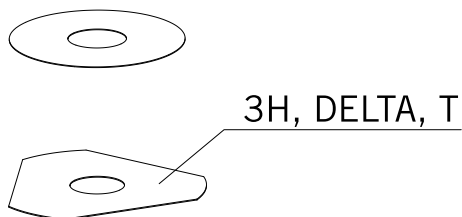
C162502001

* NEW PART

X ON DEMAND



- ⑤ Ø 5 mm
- ⑥ Ø 6 mm
- ⑧ Ø 8 mm
- ⑩ Ø 10 mm
- ⑫ Ø 12 mm
- ⑭ Ø 14-14,5 mm
- ⑯ Ø 16 mm
- ⑳ Ø 20 mm
- ㉑ Ø 21 mm
- ㉒ Ø 22 mm
- ㉓ Ø 23 mm
- ㉔ Ø 24,5 mm
- ㉘ Ø 28,5 mm
- ㉚ Ø 32 mm
- ㉜ Ø 52 mm



POS	PARTNUMBER	PARTNAME	PIECE
5	44906890	WASHER 5X15X2	X
6	40540400	SHIM 6X12X0,1	X
6	40540401	SHIM 6X14X0,1	X
6	40540402	SHIM 6X16X0,1	X
6	40540403	SHIM 6X18X0,1	X
6	40540404	SHIM 6X12X0,15	X
6	40540405	SHIM 6X14X0,15	X
6	40540406	SHIM 6X16X0,15	X
6	40540407	SHIM 6X18X0,15	X
6	40540408	SHIM 6X12X0,2	X
6	40540409	SHIM 6X14X0,2	X
6	40540410	SHIM 6X16X0,2	X
6	40540411	SHIM 6X18X0,2	X
6	48600095	* SHIM 6X20X0,20	X
6	40540412	SHIM 6X12X0,25	X
6	40540413	SHIM 6X14X0,25	X
6	40540414	SHIM 6X16X0,25	X
6	40540415	SHIM 6X18X0,25	X
6	40540417	SHIM 6X8,5X0,10	X
6	40540418	SHIM 6X9X0,10	X
6	40540419	SHIM 6X9,5X0,10	X
6	40540423	SHIM 6X9,5X0,15	X
6	40540425	SHIM 6X8,5X0,20	X
6	40540426	SHIM 6X9X0,20	X
6	40540427	SHIM 6X9,5X0,20	X
6	40540447	SHIM 6X10X0,3	X
6	40540449	SHIM 6X9X0,3	X
6	40540450	SHIM 6X9,5X0,3	X
6	40540494	SHIM 6X18X0,4	X
6	40540774	SHIM 6X18X0,1 DELTA	X
6	40541383	SHIM 6X11X0,1	X
6	40541391	SHIM 6X11X0,3	X
6	40541402	SHIM 6X11X0,2	X
6	40541403	SHIM 6X10X0,20	X
6	40541404	SHIM 6X10X0,1	X
6	40541405	SHIM 6X10X0,15	X
6	40541406	SHIM 6X11X0,15	X
6	40541408	SHIM 6X8,0X0,30	X

080000190

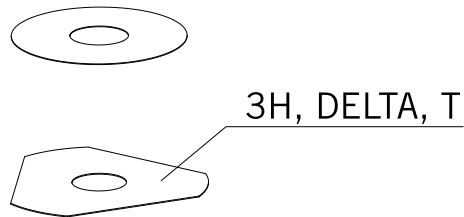
C130009090

* NEW PART

X ON DEMAND



- ⑤ Ø 5 mm
- ⑥ Ø 6 mm
- ⑧ Ø 8 mm
- ⑩ Ø 10 mm
- ⑫ Ø 12 mm
- ⑭ Ø 14-14,5 mm
- ⑯ Ø 16 mm
- ⑳ Ø 20 mm
- ㉑ Ø 21 mm
- ㉒ Ø 22 mm
- ㉓ Ø 23 mm
- ㉔ Ø 24,5 mm
- ㉘ Ø 28,5 mm
- ㉚ Ø 32 mm
- ㉜ Ø 52 mm



POS	PARTNUMBER	PARTNAME	PIECE
6	40541414	SHIM 6X8,0X0,10	X
6	40541416	SHIM 6X8X0,3	X
6	40541417	SHIM 6X11X0,25	X
6	48600102	* SHIM 6X24X0,25	X
6	48600063	SHIM 6X24X0,1	X
6	48600064	SHIM 6X22X0,1	X
6	48600065	SHIM 6X20X0,1	X
6	48600069	SHIM 6X20X0,15	X
6	48600100	SHIM 6X24X0,15	X
6	48600116	SHIM 6X24X0,1 DELTA	X
6	48600139	SHIM 6X22X0,1 DELTA	X
6	48600217	BACKPLATE 6X10X0,25	X
6	48600325	SHIM 6X13X0,1	X
6	48600327	SHIM 6X15X0,1	X
6	48600329	SHIM 6X17X0,1	X
6	48600331	SHIM 6X19X0,1	X
6	48600096	* SHIM 6X20X0,25	X
6	48600097	SHIM 6X22X0,15	X
6	48600099	* SHIM 6X22X0,25	X
6	40540448	BACKPLATE 6X8,5X0,30	X
6	48600479	SHIM 6X20X0,1 T/3H	X
6	48600332	SHIM 6X21X0,1	X
6	48600333	SHIM 6X23X0,1	X
6	40541393	* SHIM 6X12X0,3	X
6	48600330	SHIM 6X17X0,15	X
6	48600988	SHIM 6X28X0,10	X
6	48600989	SHIM 6X26X0,10	X
6	48601091	SHIM 6X28X0,15	X
6	48601093	SHIM 6X26X0,15	X
6	48600328	SHIM 6X15X0,15	X
6	48600326	SHIM 6X13X0,15	X
6	48601548	SHIM 6X17X1,5	X
8	40540477	SHIM 8X18X0,4	X
8	43570120	SHIM 8X18X0,10	X
8	44916098	WASHER 8,4X16X0,8	X
8	44916130	WASHER 8,2X15X1	X
8	44916180	WASHER 8,2X11X1	X
8	48600214	SHIM 8X16X0,1	X

080000190

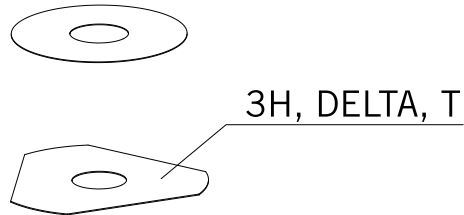
C130009090

* NEW PART

X ON DEMAND



- ⑤ Ø 5 mm
- ⑥ Ø 6 mm
- ⑧ Ø 8 mm
- ⑩ Ø 10 mm
- ⑫ Ø 12 mm
- ⑭ Ø 14-14,5 mm
- ⑯ Ø 16 mm
- ⑳ Ø 20 mm
- ㉑ Ø 21 mm
- ㉒ Ø 22 mm
- ㉓ Ø 23 mm
- ㉔ Ø 24,5 mm
- ㉘ Ø 28,5 mm
- ㉚ Ø 32 mm
- ㉜ Ø 52 mm



POS	PARTNUMBER	PARTNAME	PIECE
8	48600385	SHIM 8x14x0.25	X
8	48600346	SHIM 8X11X0,2	X
8	48600215	CHECK VALVE 8X20X0,1	X
8	48600485	SHIM 8X10X0,10	X
8	48601402	SHIM 8X13X0,10	X
8	48600350	CHECK VALVE 8X16X0,15	X
8	48600061	CHECK VALVE 8X24X0,4	X
8	48600062	CHECK VALVE 8X24X0,1	X
8	48600216	CHECK VALVE 8X22X0,1	X
8	48600480	SHIM 8X10X0,20	X
8	48600555	SHIM 8X16X0,20	X
8	48600213	SHIM 8X14X0,10	X
8	48600357	CHECK VALVE 8X11X0,1	X
8	48600351	CHECK VALVE 8X12X0,1	X
8	48600607	SHUTTLE VALVE 8X20X0,4	X
8	48601095	SHIM 8X17X0,10	X
8	48600352	CHECK VALVE 8X11X0,4	X
10	36120284	SHIM 10X16X0,10	X
10	36120298	SHIM 10X16X0,2	X
10	36120312	SHIM 10X16X0,30	X
10	36120314	SHIM 10X18X0,30	X
10	36120325	SHIM 10X19X0,15	X
10	36120327	SHIM 10X23X0,15	X
10	36120328	SHIM 10X25X0,15	X
10	36120329	SHIM 10X27X0,15	X
10	36120330	SHIM 10X29X0,15	X
10	36120331	SHIM 10X31X0,15	X
10	36120332	SHIM 10X33X0,15	X
10	36120334	SHIM 10X21X0,20	X
10	36120335	SHIM 10X23X0,20	X
10	36120336	SHIM 10X25X0,20	X
10	36120337	SHIM 10X27X0,20	X
10	36120338	SHIM 10X29X0,20	X
10	36120339	SHIM 10X31X0,20	X
10	36120340	SHIM 10X33X0,20	X
10	36120342	SHIM 10X21X0,25	X
10	36120343	SHIM 10X23X0,25	X
10	36120344	SHIM 10X25X0,25	X

080000190

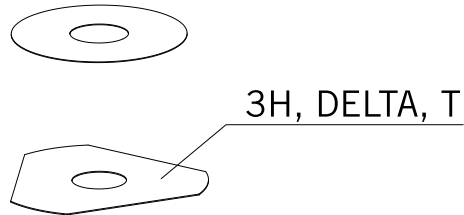
C130009090

* NEW PART

X ON DEMAND



- ⑤ Ø 5 mm
- ⑥ Ø 6 mm
- ⑧ Ø 8 mm
- ⑩ Ø 10 mm
- ⑫ Ø 12 mm
- ⑭ Ø 14-14,5 mm
- ⑯ Ø 16 mm
- ⑳ Ø 20 mm
- ㉑ Ø 21 mm
- ㉒ Ø 22 mm
- ㉓ Ø 23 mm
- ㉔ Ø 24,5 mm
- ㉘ Ø 28,5 mm
- ㉚ Ø 32 mm
- ㉜ Ø 52 mm



POS	PARTNUMBER	PARTNAME	PIECE
10	36120345	SHIM 10X27X0,25	X
10	36120349	SHIM 10X19X0,30	X
10	36120350	SHIM 10X21X0,30	X
10	40140275	WASHER 10X35X0,15	X
10	36120346	* SHIM 10X29X0,25	X
10	50180010	* SHIM 16X24X0,10	X
10	36120604	SHIM D10XD22X2,5	X
12	46810490	SHIM 12X24X0,20	X
12	46810491	SHIM 12X26X0,20	X
12	46810492	SHIM 12X28X0,20	X
12	46810493	SHIM 12X30X0,20	X
12	46810494	SHIM 12X32X0,20	X
12	46810495	SHIM 12X34X0,20	X
12	46810496	SHIM 12X36X0,20	X
12	46810497	SHIM 12X38X0,20	X
12	46810498	SHIM 12X40X0,20	X
12	46810499	SHIM 12X24X0,25	X
12	46810500	SHIM 12X26X0,25	X
12	46810501	SHIM 12X28X0,25	X
12	46810502	SHIM 12X30X0,25	X
12	46810504	SHIM 12X34X0,25	X
12	46810505	SHIM 12X36X0,25	X
12	46810507	SHIM 12X40X0,25	X
12	46810508	SHIM 12X24X0,30	X
12	46810509	SHIM 12X26X0,30	X
12	46810510	SHIM 12X28X0,30	X
12	46810512	SHIM 12X32X0,30	X
12	46810513	SHIM 12X34X0,30	X
12	46810518	SHIM 12X26X0,15	X
12	46810519	SHIM 12X28X0,15	X
12	46810520	SHIM 12X30X0,15	X
12	46810521	SHIM 12X32X0,15	X
12	46810522	SHIM 12X34X0,15	X
12	46810523	SHIM 12X36X0,15	X
12	46810524	SHIM 12X38X0,15	X
12	46810525	SHIM 12X40X0,15	X
12	46810604	SHIM 12X20X0,10	X
12	46810606	SHIM 12X22X0,10	X

080000190

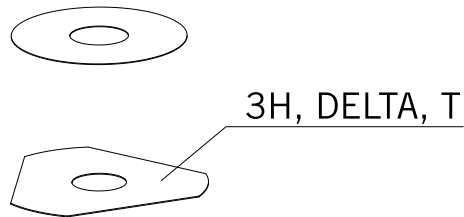
C130009090

* NEW PART

X ON DEMAND



- ⑤ Ø 5 mm
- ⑥ Ø 6 mm
- ⑧ Ø 8 mm
- ⑩ Ø 10 mm
- ⑫ Ø 12 mm
- ⑭ Ø 14-14,5 mm
- ⑯ Ø 16 mm
- ⑳ Ø 20 mm
- ㉑ Ø 21 mm
- ㉒ Ø 22 mm
- ㉓ Ø 23 mm
- ㉔ Ø 24,5 mm
- ㉘ Ø 28,5 mm
- ㉚ Ø 32 mm
- ㉜ Ø 52 mm



POS	PARTNUMBER	PARTNAME	PIECE
12	46810607	SHIM 12X23X0,10	X
12	46810608	SHIM 12X24X0,10	X
12	46810610	SHIM 12X27X0,15	X
12	46810611	SHIM 12X18X0,15	X
12	46810612	SHIM 12X19X0,15	X
12	46810615	SHIM 12X22X0,15	X
12	46810636	BACKPLATE 12X16X0,30	X
12	46810637	BACKPLATE 12X17X0,30	X
12	46810638	BACKPLATE 12X18X0,30	X
12	46810639	SHIM 12X19X0,30	X
12	46810641	BACKPLATE 12X21X0,30	X
12	46811582	BACKPLATE 12X30X0,10	X
12	46810631	SHIM 12X20X0,25	X
12	46810633	SHIM 12X22X0,25	X
12	46811580	SHIM 12X32X0,10	X
12	46810503	SHIM 12X32X0,25	X
12	46810517	* SHIM 12X24X0,15	X
12	46810640	SHIM 12X20X0,30	X
12	46811258	RING 12X24X2,5	X
12	46812018	SHIM 12X42X0,25	X
12	46812015	SHIM 12X44X0,20	X
14	46811046	SHIM 14,5X35,4X1,25	X
16	50180023	* SHIM 16X23X0,20	X
16	50180030	SHIM	X
16	50180006	BACKPLATE 16X20X0,10	X
16	50180007	SHIM 16X21X0,10	X
16	50180028	SHIM 16X21X0,25	X
16	50180210	WASHER 16X21X1	X
16	50180008	SHIM 16X22X0,10	X
16	50180022	SHIM 16X22X0,20	X
16	50180037	SHIM 16X23X0,30	X
16	50180038	SHIM 16X24X0,30	X
16	50180032	SHIM 15X25X0,25	X
16	50180039	SHIM 16X25X0,30	X
16	50180012	SHIM 16X26X0,10	X
16	50180019	SHIM 16X26X0,15	X
16	50180026	SHIM 16X26X0,20	X
16	50180040	SHIM 16X26X0,30	X

080000190

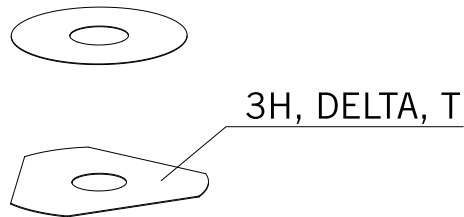
C130009090

* NEW PART

X ON DEMAND



- ⑤ Ø 5 mm
- ⑥ Ø 6 mm
- ⑧ Ø 8 mm
- ⑩ Ø 10 mm
- ⑫ Ø 12 mm
- ⑭ Ø 14-14,5 mm
- ⑯ Ø 16 mm
- ⑳ Ø 20 mm
- ㉑ Ø 21 mm
- ㉒ Ø 22 mm
- ㉓ Ø 23 mm
- ㉔ Ø 24,5 mm
- ㉘ Ø 28,5 mm
- ㉚ Ø 32 mm
- ㉜ Ø 52 mm



POS	PARTNUMBER	PARTNAME	PIECE
16	50180041	SHIM 16X28X0,10	X
16	50180045	SHIM 16X28X0,15	X
16	50180054	SHIM 16X28X0,20	X
16	50180063	SHIM 16X28X0,25	X
16	50180072	SHIM 16X28X0,30	X
16	50180046	SHIM 16X30X0,15	X
16	50180055	SHIM 16X30X0,20	X
16	50180064	SHIM 16X30X0,25	X
16	50180073	SHIM 16X30X0,30	X
16	50180047	SHIM 16X32X0,15	X
16	50180056	SHIM 16X32X0,20	X
16	50180065	SHIM 16X32X0,25	X
16	50180074	SHIM 16X32X0,30	X
16	50180044	SHIM 16X34X0,10	X
16	50180048	SHIM 16X34X0,15	X
16	50180057	SHIM 16X34X0,20	X
16	50180066	SHIM 16X34X0,25	X
16	50180075	SHIM 16X34X0,30	X
16	50180049	SHIM 16X36X0,15	X
16	50180058	SHIM 16X36X0,20	X
16	50180067	SHIM 16X36X0,25	X
16	50180076	SHIM 16X36X0,30	X
16	50180050	SHIM 16X38X0,15	X
16	50180059	SHIM 16X38X0,20	X
16	50180068	SHIM 16X38X0,25	X
16	50180077	SHIM 16X38X0,30	X
16	50180051	SHIM 16X40X0,15	X
16	50180060	SHIM 16X40X0,20	X
16	50180069	SHIM 16X40X0,25	X
16	50180078	SHIM 16X40X0,30	X
16	50180052	SHIM 16X42X0,15	X
16	50180061	SHIM 16X42X0,20	X
16	50180070	SHIM 16X42X0,25	X
16	50180079	SHIM 16X42X0,30	X
16	50180053	SHIM 16X44X0,15	X
16	50180062	SHIM 16X44X0,20	X
16	50180071	SHIM 16X44X0,25	X
16	50180080	SHIM 16X44X0,30	X

080000190

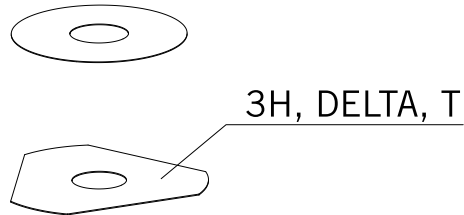
C130009090

* NEW PART

X ON DEMAND



- ⑤ Ø 5 mm
- ⑥ Ø 6 mm
- ⑧ Ø 8 mm
- ⑩ Ø 10 mm
- ⑫ Ø 12 mm
- ⑭ Ø 14-14,5 mm
- ⑯ Ø 16 mm
- ⑳ Ø 20 mm
- ㉑ Ø 21 mm
- ㉒ Ø 22 mm
- ㉓ Ø 23 mm
- ㉔ Ø 24,5 mm
- ㉘ Ø 28,5 mm
- ㉚ Ø 32 mm
- ㉜ Ø 52 mm



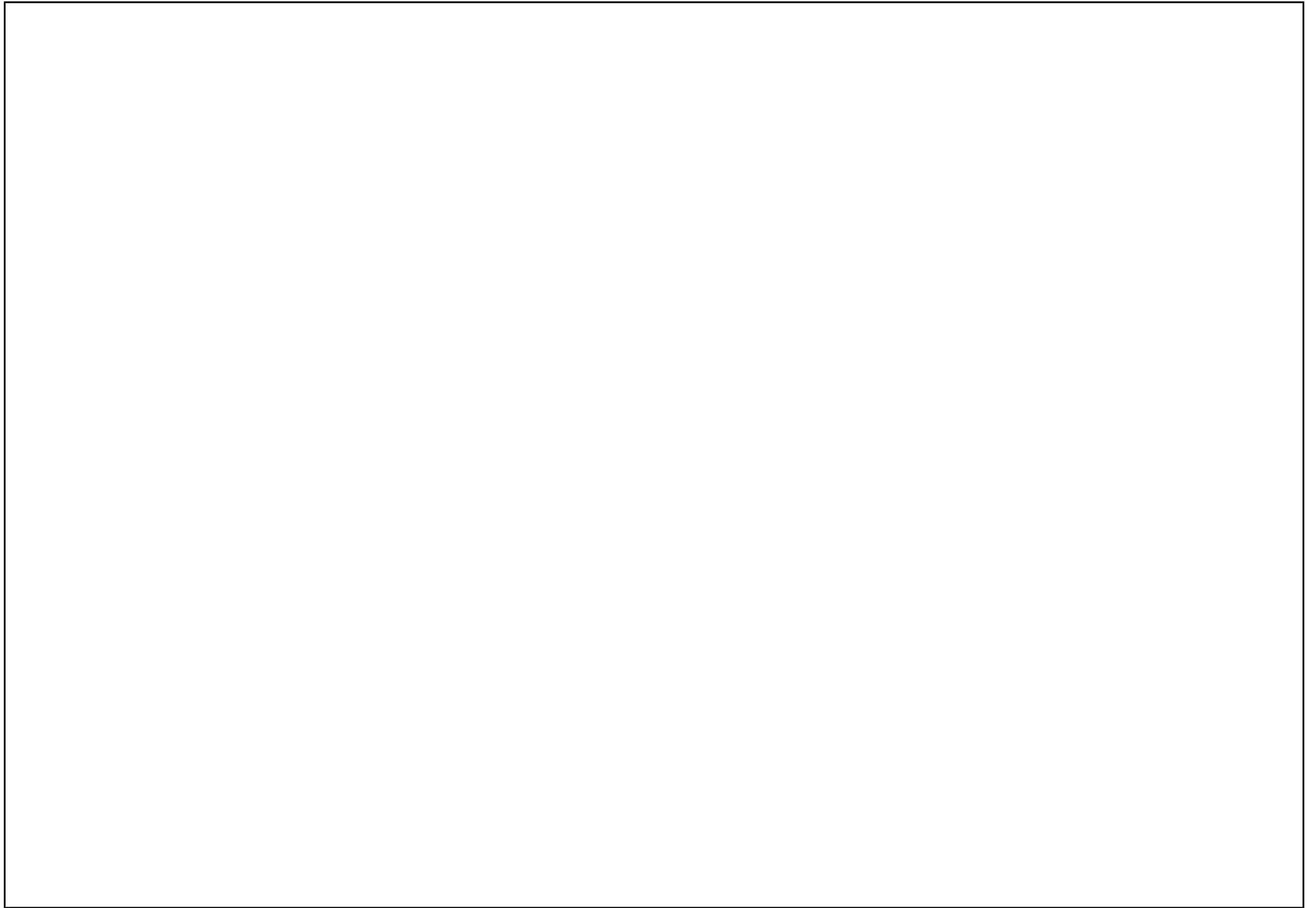
POS	PARTNUMBER	PARTNAME	PIECE
16	50180177	WASHER 16X8,2X0,6	X
16	50180033	SHIM 16X26X0,25	X
16	50180034	BACKPLATE 16X20X0,30	X
16	50180035	BACKPLATE 16X21X0,30	X
16	50180036	BACKPLATE 16X22X0,30	X
16	50180043	SHIM	X
16	50180024	* SHIM 16X24X0,20	X
16	50180027	* SHIM 16X20X0,25	X
16	50180031	SHIM	X
16	50180029	SHIM	X
20	48600212	PRESSURE-RING 20X16,25X0,20	X
20	50180666	SHIM 20X24X0,30	X
20	50180654	SHIM 20X36X0,20	X
20	50180655	SHIM 20X38X0,20	X
20	50180656	SHIM 20X40X0,20	X
20	50180665	SHIM 20X40X0,25	X
20	50180662	SHIM 20X34X0,25	X
20	50180657	SHIM 20X24X0,25	X
20	50180653	SHIM 20X34X0,20	X
20	50180634	RING 20X22,9X1	X
20	50180650	SHIM 20,2X28X0,20	X
20	50180663	SHIM 20X36X0,25	X
20	50180664	SHIM 20X38X0,25	X
20	50180659	SHIM 20,2X28X0,25	X
21	50180209	WASHER 21X36X0,25	X
22	50180330	* PRESS. RING 22X18X0,30	X
23	50180635	SHUTTLE VALVE 23X38X0,25	X
23	50180578	SHIM D23XD16X2	X
24	40541061	WASHER 24,5X34X2	X
28	36120469	SHIM 28,5X14X2	X
28	36120471	SHIM 28,5X14X5	X
32	48600460	WASHER 32X42X2,5	X
32	50600065	SHIM 32X45X2	X
32	46811637	PRESSURE RING 36X32,25	X
52	50600002	SHIM 52X59X2,2	X

080000190

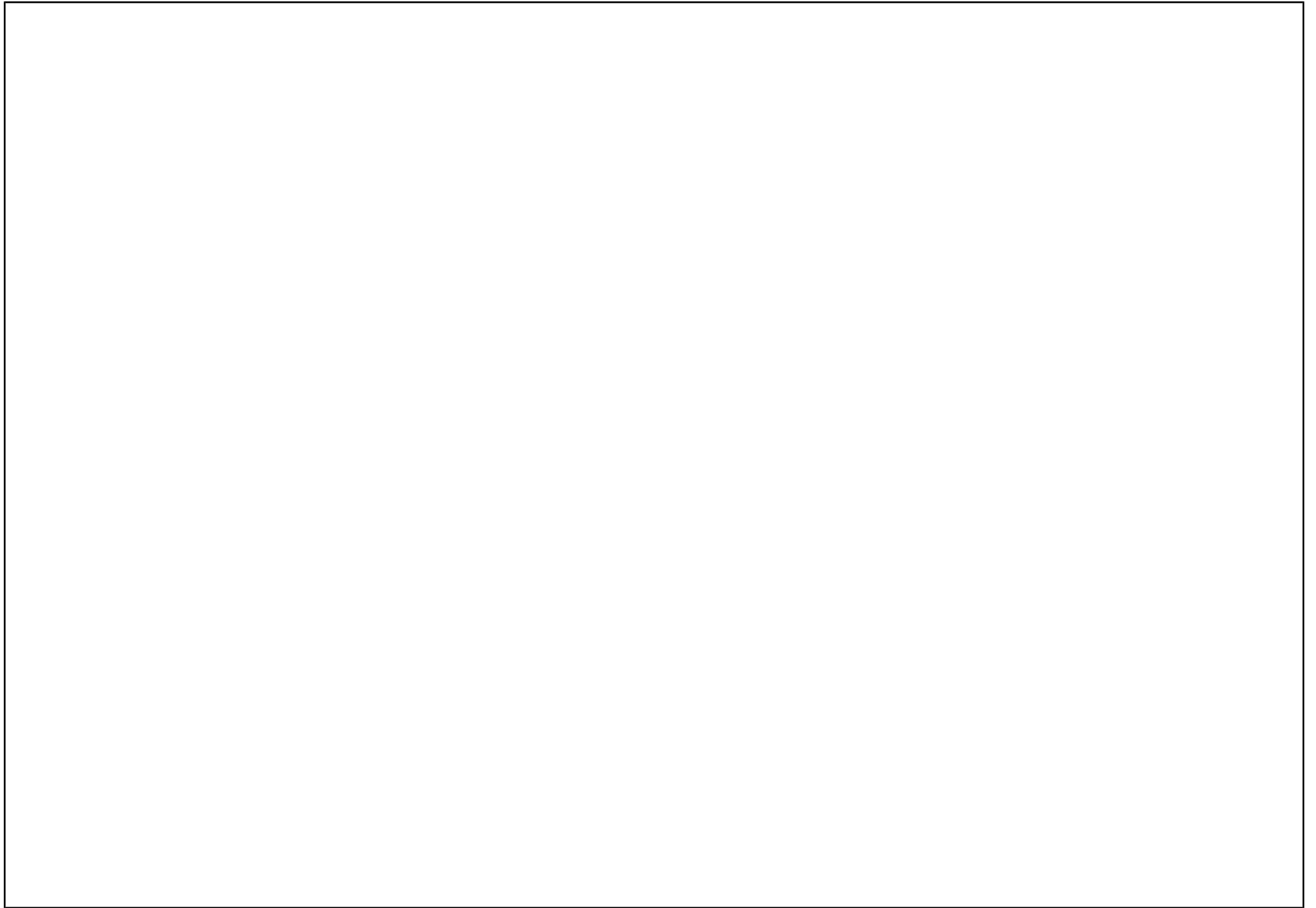
C130009090

* NEW PART

X ON DEMAND



A large, empty rectangular box with a thin black border, occupying the majority of the page. It is intended for handwritten or typed notes.





3CFF2101POEN



Husqvarna Motorcycles GmbH
Stallhofnerstraße 3 | 5230 Mattighofen | Austria
www.husqvarna-motorcycles.com



SPAREPARTSCATALOG

ENGINE

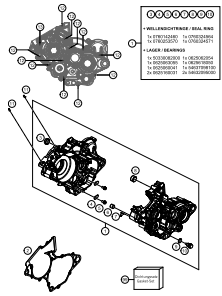
ART.-NR.: 3CM081524PEN

TC 125 2016



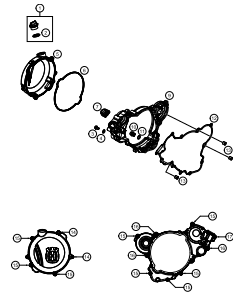
Husqvarna®
MOTORCYCLES

ENGINE CASE



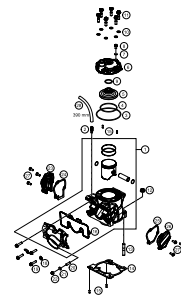
3

CLUTCH COVER



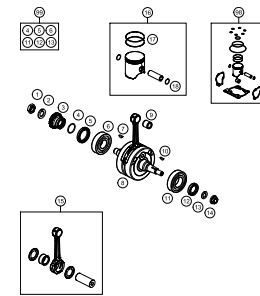
4

CYLINDER, CYLINDER HEAD



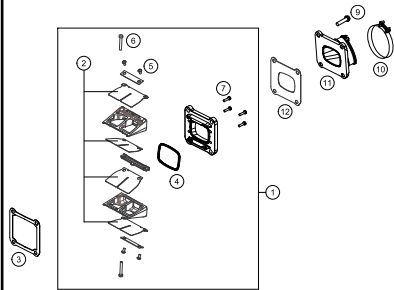
5

CRANKSHAFT, PISTON



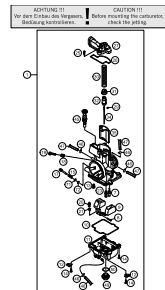
6

REED VALVE CASE



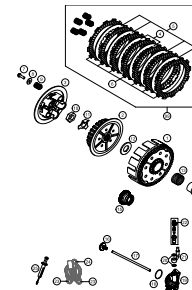
7

CARBURETOR



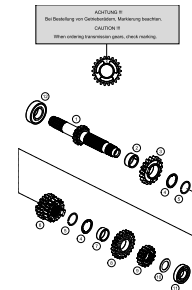
8

CLUTCH



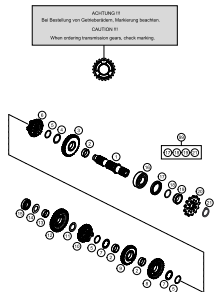
10

TRANSMISSION I - MAIN SHAFT



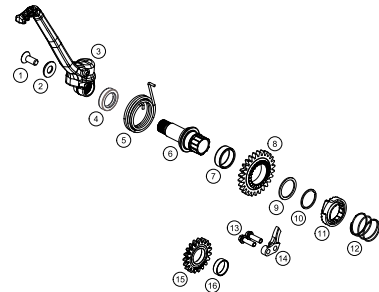
11

TRANSMISSION II - COUNTERSHAFT



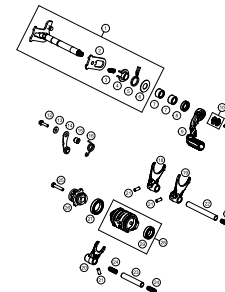
12

KICK STARTER



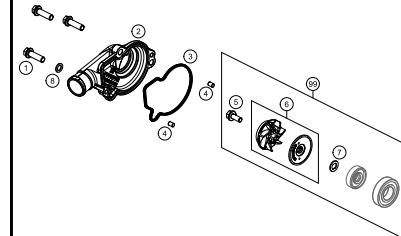
13

SHIFTING MECHANISM



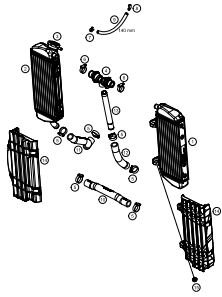
14

WATERPUMP



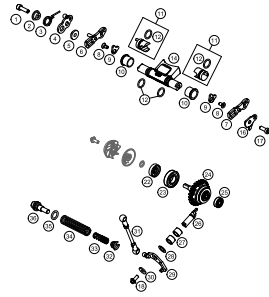
15

COOLING SYSTEM



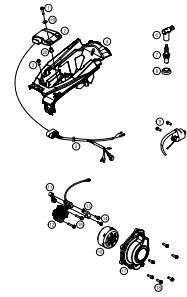
16

EXHAUST CONTROL



17

IGNITION SYSTEM

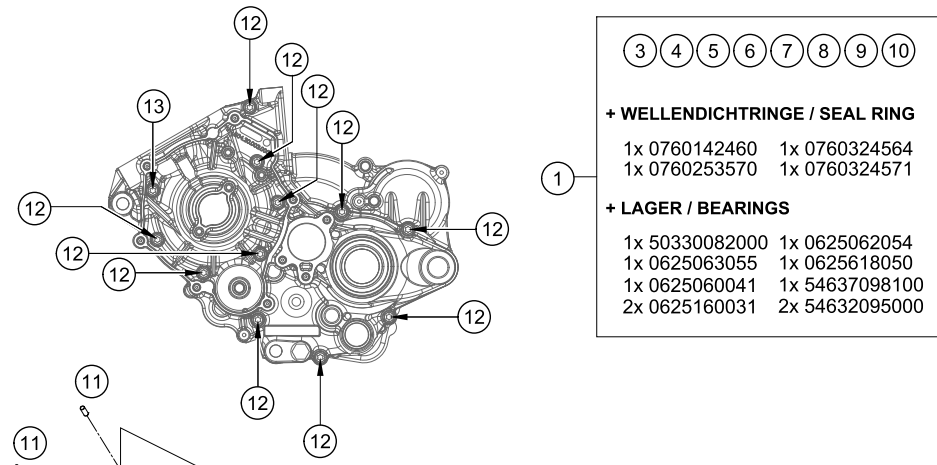


18



All information contained is without obligation. HUSQVARNA MOTORCYCLES GmbH particularly reserves the right to modify any equipment, technical specifications, prices, colors, shapes, materials, services, service work, constructions, equipment and the like so as to adapt them to local conditions or to cancel any of the above items, all without previous announcement and without giving reasons. KTM may stop manufacturing certain models without previous notice. HUSQVARNA MOTORCYCLES shall not be held liable for any deviations of availability and/or ability to deliver, illustrations, descriptions, printing and/or other errors. The illustrated models partly contain extra equipment, which is not applied to standard models.

© by HUSQVARNA MOTORCYCLES GmbH, Mattighofen AUSTRIA; All rights reserved; Reprint, also in extracts, with written allowance of HUSQVARNA MOTORCYCLES GmbH, Mattighofen only.



- 3 4 5 6 7 8 9 10
- + WELLENDICHTRINGE / SEAL RING**
 1x 0760142460 1x 0760324564
 1x 0760253570 1x 0760324571
- + LAGER / BEARINGS**
 1x 50330082000 1x 0625062054
 1x 0625063055 1x 0625618050
 1x 0625060041 1x 54637098100
 2x 0625160031 2x 54632095000

POS	PARTNUMBER	PARTNAME	PIECE
1	5043000033	ENGINECASE CPL.	1
2	50430039000	GASKET ENGINE CASE	1
3	50433024050	BUSHING IDLER GEAR	1
4	54634049000	RETAINING PLATE	2
5	0025060126	HH COLLAR SCREW M6X12 TX30	2
6	54630027000	DOWEL BUSHING 13,8X11X12	1
7	45130022000	ANGLE PIECE 50CCM LC 2001	1
8	54830027000	DOWEL 21X12 03	1
9	58038022000	CU-SEAL RING DIN7603-12X18X1,5	1
10	58030021000	OILDRAIN PLUG W.MAG. M 12X1,5	1
11	0402040980	NEEDLE ROL.DIN5402 NRB 4X9,8	2
12	0025060506	HH COLLAR SCREW M6X50 TX30	11
13	0025060606	HH COLLAR SCREW M6X60 TX30	1
99	50430099000	GASKET SET ENGINE 125/150	x

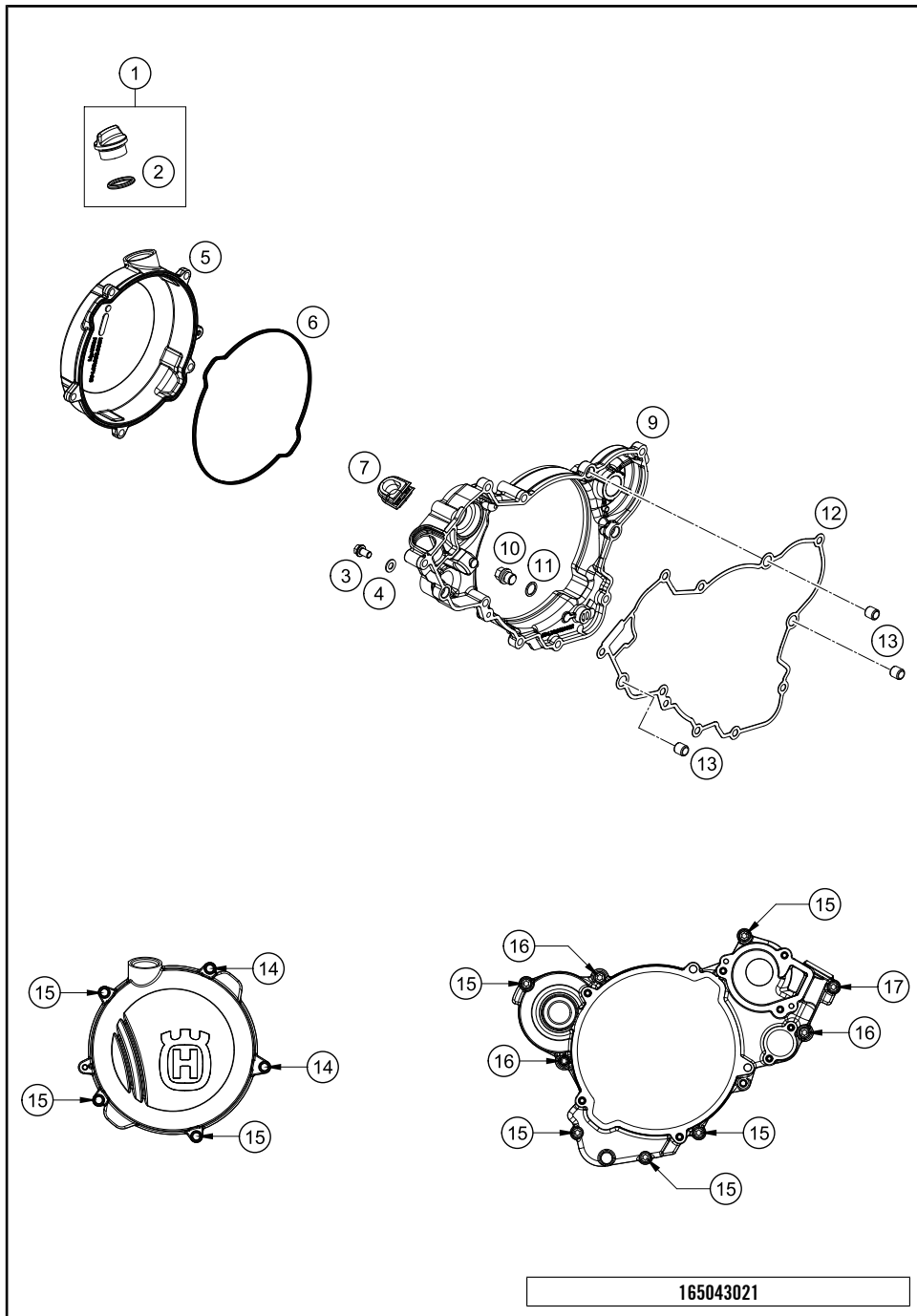


165043010

C165043010

* NEW PART

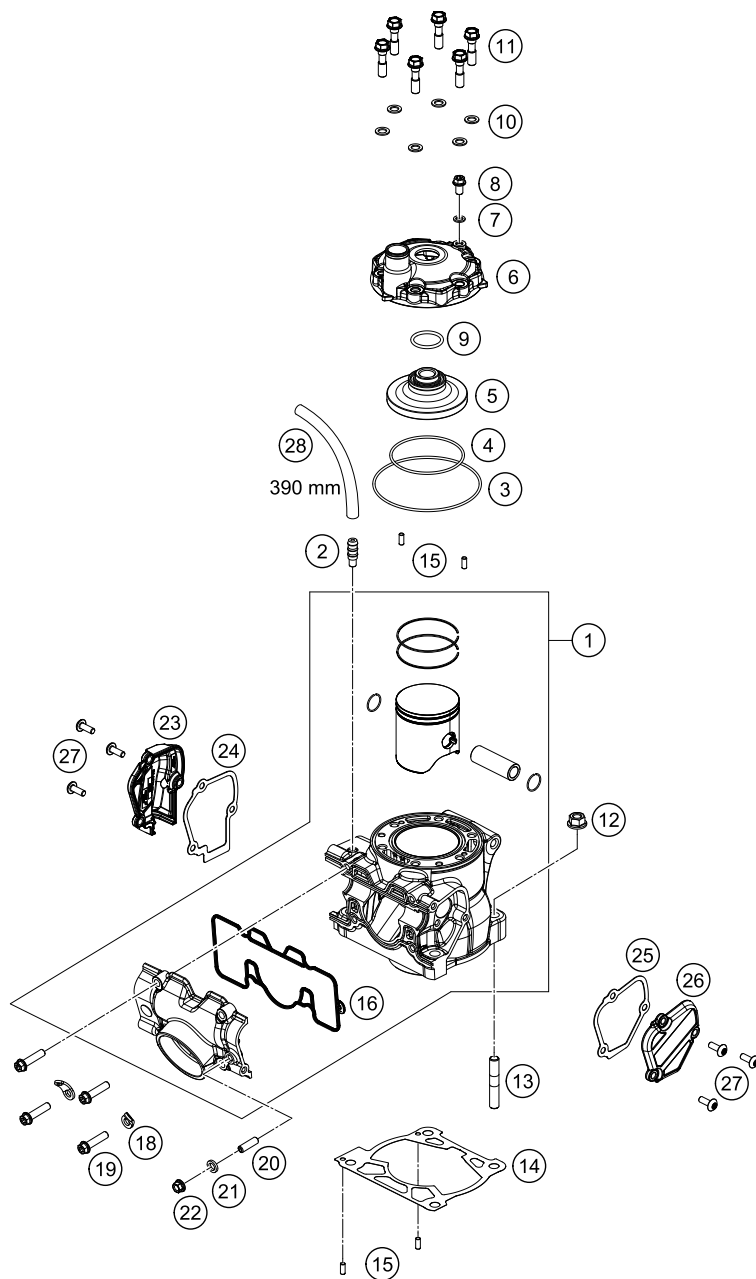
X ON DEMAND



POS	PARTNUMBER	PARTNAME	PIECE
1	79430020033	OIL FILLER CAP M24x3 WITH O-R	1
2	0770191015	O-RING 19,00X3,00 NBR	1
3	0025060106	HH COLLAR SCREW M6X10 TX30	1
4	0603061001	CU-SEAL RING DIN7603-6X10X1	1
5	50430626000KA	OUTER CLUTCH COVER	1
6	50430027000	GASKET OUTER CLUTCH COVER	1
7	50437091000	SEALING ELEMENT	1
9	50430001044	INNER CLUTCH COVER CPL.	1
10	0910100003	PLUG DIN0910-M 10X1	1
11	0603100141	COPPER GASKET DIN7603-10X14X1	1
12	50430025000	GASKET INNER CLUTCH COVER	1
13	49030090000	DOWEL 9,8 X 7 X 10	3
14	0025060506	HH COLLAR SCREW M6X50 TX30	2
15	0025060206	HH COLLAR SCREW M6X20 TX30	8
16	0025060256	HH COLLAR SCREW M6X25 TX30	3
17	0025060306	HH COLLAR SCREW M6X30 TX30	1

* NEW PART

X ON DEMAND



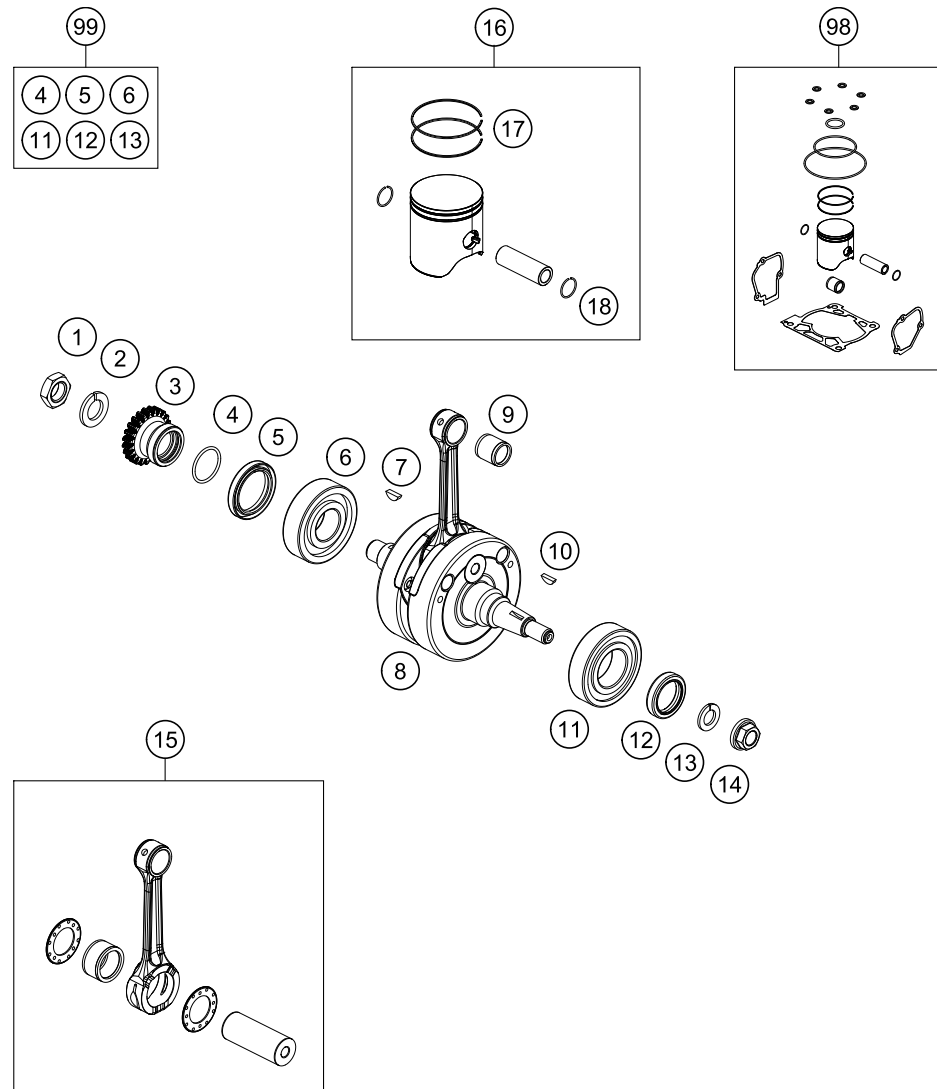
165043050

POS	PARTNUMBER	PARTNAME	PIECE
1	50430038000	CYLINDER + PISTON CPL. 125	1
2	58336020090	VACUUM CONNECTION M 6X1	1
3	0770890200	O-RING 89X2 NBR 70 SH	1
4	0770600200	O-RING 60X2 FPM 75SH	1
5	50430060000	COMBUSTION CHAMBER INLAY	1
6	50430006000	CYLINDER HEAD	1
7	0603061001	CU-SEAL RING DIN7603-6X10X1	1
8	0025060106	HH COLLAR SCREW M6X10 TX30	1
9	07702300251	O-RING 23,00X2,5 NBR 70 SH	1
10	0603070121	CU-SEAL RING DIN7603- 7,3X12X1	6
11	50430079000	CYLINDER HEAD SCREW	6
12	50330045000	HH COLLAR NUT M 8 WS=12	4
13	0835080326	STUD DIN 835 M8X32	4
14	50430035015	CYLINDER BASE GASKET 0.15MM	x
14	50430035020	CYLINDER BASE GASKET 0.20MM	x
14	50430035025	CYLINDER BASE GASKET 0.25MM	x
14	50430035040	CYLINDER BASE GASKET 0.40MM	x
14	50430035050	CYLINDER BASE GASKET 0.50MM	x
14	50430035075	CYLINDER BASE GASKET 0.75MM	x
15	0402040980	NEEDLE ROL.DIN5402 NRB 4X9,8	4
16	50437046000	GASKET CONNECTION FLANGE	1
18	51005074000	RETAINING PLATE	2
19	0025060256	HH COLLAR SCREW M6X25 TX30	4
20	0913060203	THREAD PIN DIN0913-M 6X20	1
21	0603061001	CU-SEAL RING DIN7603-6X10X1	1
22	77336088106	COLLAR NUT M6X1 SW8	1
23	5043700700033	EXHAUST CONTROL COVER R/S	1
24	50437008000	GASKET EXH. CONTROL COVER R/S	1
25	50437006000	GASKET EXH. CONTROL COVER L/S	1
26	5043700500033	EXHAUST CONTROL COVER L/S	1
27	58605083014	SCREW M5X14 TORX 25 07	6
28	50335030001	PVC-HOSE 6X9	x

C165043050

* NEW PART

X ON DEMAND



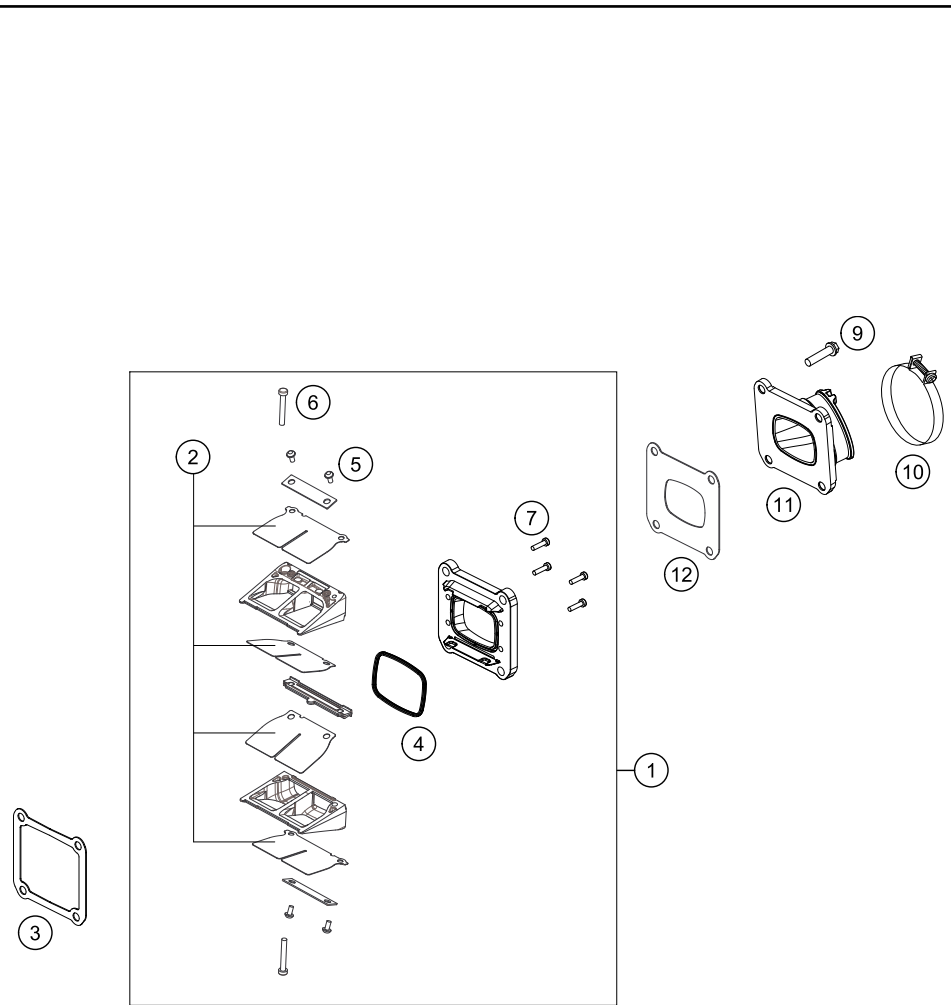
POS	PARTNUMBER	PARTNAME	PIECE
1	50330029000	HEXAGON NUT M 16 X 1,5 - L/S	1
2	50230029016	LOCKING RING VSK 16	1
3	50432023023	PRIMARY WHEEL 23T	1
4	0770250020	O-RING 25,00X2,00 NBR 70	1
5	0760324564	SHAFT SEAL RING 32X45X6,5 BT	1
6	0625063055	BALL BEARING 6305 JR2 CS36	1
7	0888040050	WOODRUFF KEY DIN6888 4X5X13	1
8	50430018000	CRANKSHAFT	1
9	51030034000	NEEDLE BEARING KBK 15X19X20	1
10	0888030050	WOODRUFF KEY DIN6888-3X5X13	1
11	50330082000	CYL.ROLLER BEAR.NJ206 ET2XCS46	1
12	0760253570	SHAFT SEAL RING 25X35X7 BTSL	1
13	50230029012	LOCKING RING VSK 12	1
14	49030021000	COLLAR NUT M12X1 R/S	1
15	50430015044	CON-ROD REPAIR KIT	1
16	50330207100 I	PISTON I CPL. 125 I	x
16	50330207100 II	PISTON I CPL. 125 II	x
17	50330032600	TRAPEZOID RING 125 2008	2
18	50330074500	WIRE LOCK RING 15X1	2
98	00050000233	PISTON KIT SIZE I 125 SX	x
98	00050000234	PISTON KIT SIZE II 125 SX	x
99	00050002300	CRANKSHAFT REP. KIT 125-200	x

165043060

C165043060

* NEW PART

X ON DEMAND



POS	PARTNUMBER	PARTNAME	PIECE
1	50430151044	REED VALVE CASE CPL.	1
2	54830052344	REED VALVE SET	1
3	50430098050	GASKET REED VALVE CASE	1
4	54830153050	GASKET SUPPORTING PLATE	1
5	00810300553	EJOT DELTA PT SCREW 30X5,5	4
6	0081035253	EJOT DELTA PT SCREW 35X25	2
7	0081030124	EJOT DELTA PT SCREW 30X12	4
9	0025060256	HH COLLAR SCREW M6X25 TX30	4
10	54330061000	CLAMP 52/12 GEMI	1
11	50430050000	INTAKE FLANGE	1
12	50430098060	GASKET INTAKE FLANGE	1

165043070

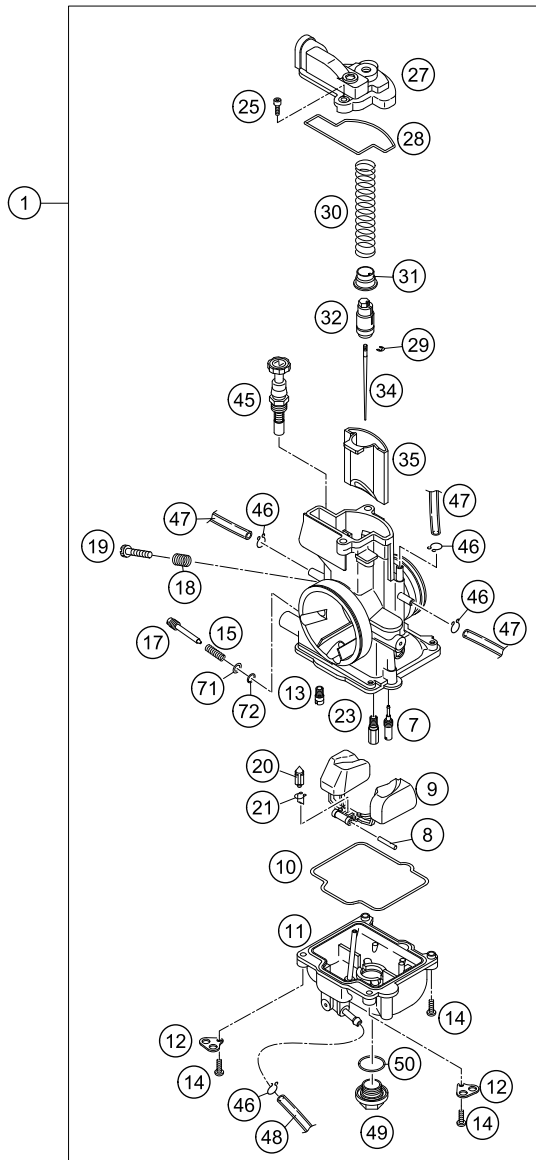
C165043070

* NEW PART

X ON DEMAND

ACHTUNG !!!
Vor dem Einbau des Vergasers,
Bedüsung kontrollieren.

CAUTION !!!
Before mounting the carburetor,
check the jetting.



145153110

POS	PARTNUMBER	PARTNAME	PIECE
1	50331101744	CARBURETOR KEIH. PWK 38S AG 14	1
7	54531607038	IDLE JET 38 KEIHIN	X
7	54531607040	IDLE JET 40 KEIHIN	X
7	54531607042	IDLE JET 42 KEIHIN	X
7	54531607045	IDLE JET 45 KEIHIN	X
7	54531607048	IDLE JET 48 KEIHIN	X
7	54531607050	IDLE JET 50 KEIHIN	X
7	54531607052	IDLE JET 52 KEIHIN	X
7	54531607055	IDLE JET 55 KEIHIN	X
8	57331008000	ARM PIN FLOAT	1
9	57331009000	FLOAT CPL.	1
10	54831010000	GASKET FLOAT CHAMBER	1
11	54831011000	FLOAT CHAMBER PWK38-S AG	1
12	54531612100	RETAINING PLATE FOR BLEEDER	2
13	54831051085	STARTER JET 85 KEIHIN	1
14	0016040163	HH COLLAR SCREW M 4X16 WS=6	4
15	54531615000	SPRING FOR ADJUSTMENT SCREW	1
17	54531617000	ADJUSTMENT SCREW	1
18	54631118000	SPRING	1
19	54631219100	ADJUSTMENT SCREW M 5	1
20	54631220000	FLOAT NEEDLE	1
21	54531621000	CLAMP	1
23	54531623170	MAIN JET 170 KEIHIN	X
23	54531623172	MAIN JET 172 KEIHIN	X
23	54531623175	MAIN JET 175 KEIHIN	X
23	54531623178	MAIN JET 178 KEIHIN	X
23	54531623180	MAIN JET 180 KEIHIN	X
23	54531623182	MAIN JET 182 KEIHIN	X
23	54531623185	MAIN JET 185 KEIHIN	X
23	54531623188	MAIN JET 188 KEIHIN	X
23	54531623190	MAIN JET 190 KEIHIN	X
23	54531623192	MAIN JET 192 KEIHIN	X
23	54531623195	MAIN JET 195 KEIHIN	X
23	54531623198	MAIN JET 198 KEIHIN	X
23	54531623200	MAIN JET 200 KEIHIN	X
23	54531623202	MAIN JET GR. 202 KEIHIN	X
23	54531623205	MAIN JET 205 KEIHIN	X
23	54531623208	MAIN JET 208 KEIHIN	X

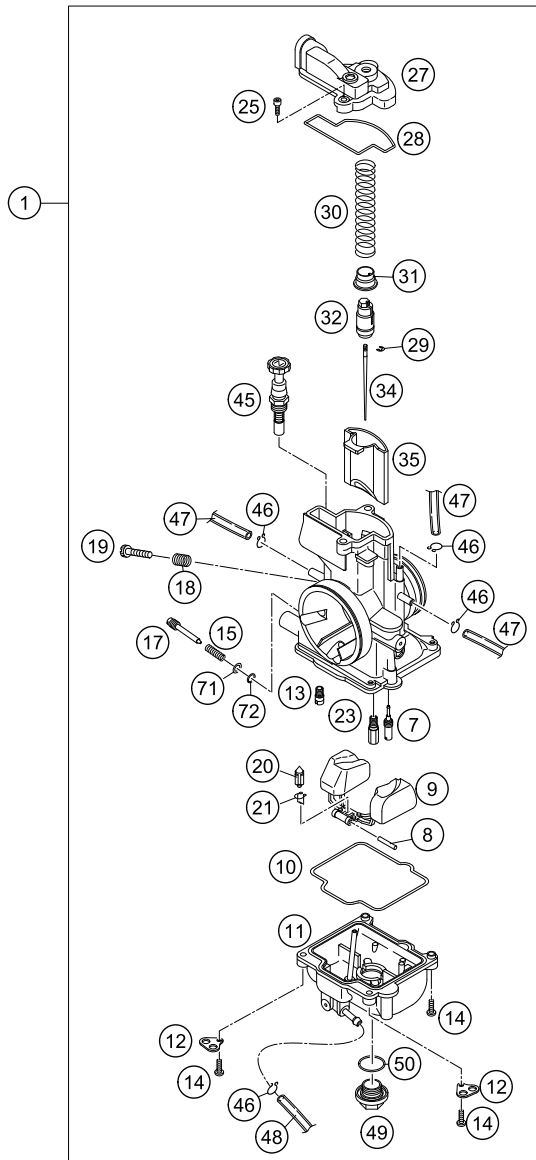
C165043110

* NEW PART

X ON DEMAND

ACHTUNG !!!
Vor dem Einbau des Vergasers,
Bedüsung kontrollieren.

CAUTION !!!
Before mounting the carburetor,
check the jetting.



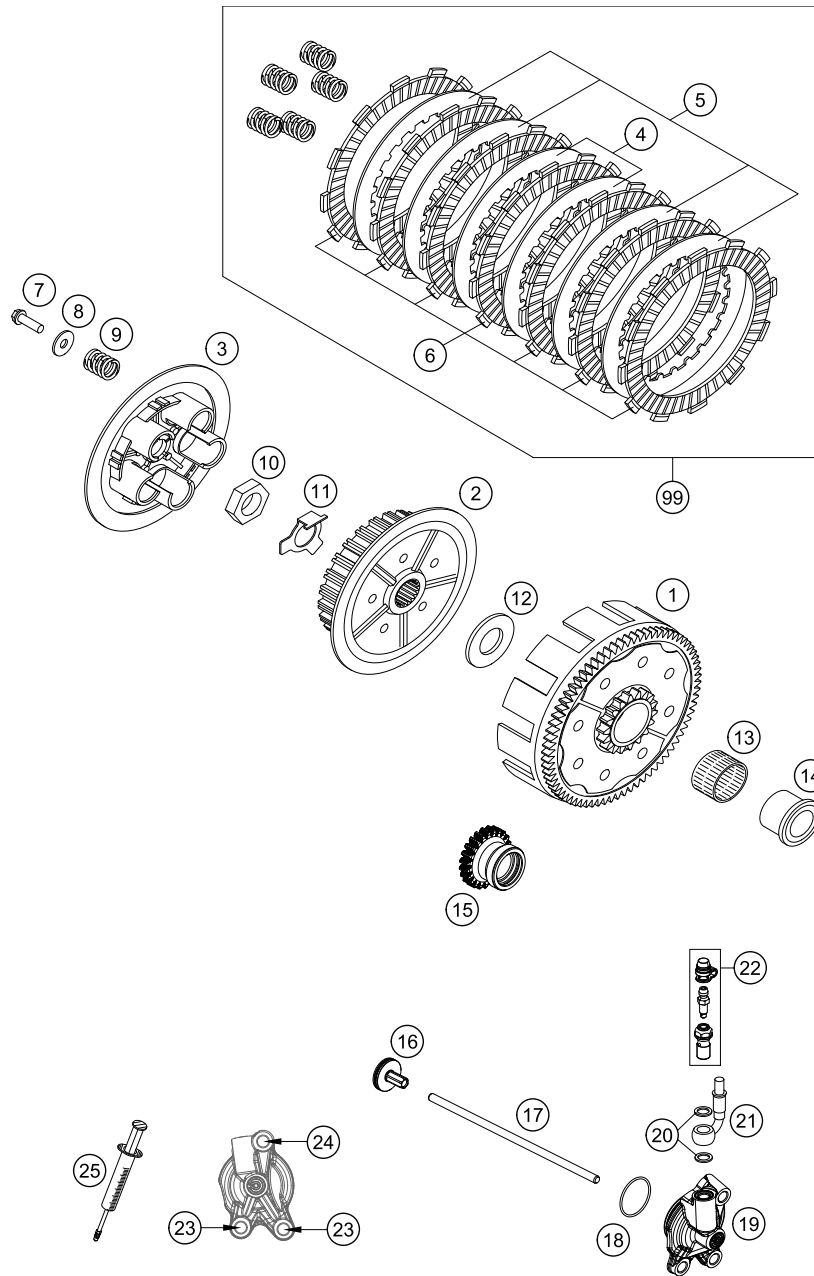
145153110

POS	PARTNUMBER	PARTNAME	PIECE
23	54531623210	MAIN JET 210 KEIHIN	X
23	54531623212	MAIN JET 212 KEIHIN	X
23	54531623215	MAIN JET 215 KEIHIN	X
25	54831025000	SPECIAL-AH-SCREW M 4X12	2
27	50331027000	CARBURETOR COVER PWK 38S AG 09	1
28	54831028000	GASKET FOR CARBURETOR COVER	1
29	54531629000	CLIP FOR JET NEEDLE	1
30	54831030000	SLIDING SPRING	1
31	54631231000	SPRING CAP	1
32	54631232000	NIPPLE	1
34	54831135000	JET NEEDLE KEIHIN N1EE 06	X
34	54831135100	JET NEEDLE KEIHIN N1EF 06	X
34	54831135200	JET NEEDLE KEIHIN N1EG 06	X
34	54831135300	JET NEEDLE KEIHIN N1EH 06	X
34	54831135400	JET NEEDLE KEIHIN N1ED 06	X
34	54831135500	JET NEEDLE KEIHIN N1EI 07	X
34	54831135600	JET NEEDLE KEIHIN N1EJ 07	X
34	54831135700	JET NEEDLE KEIHIN N1EK 07	X
35	54631035000	THROTTLE VALVE 7 FOR 38 PJ '00	1
45	54631245000	STARTER PISTON CPL.	1
46	54531696000	CLAMP 6 MM	5
47	31007007101	PVC-HOSE 4X6MM	X
48	52031137001	PVC-HOSE 3X5MM	X
49	54531699000	PLUG M 18X1	1
50	0770180230	O-RING 18,00X2,30 NBR 70	1
71	54831071000	WASHER ADJUSTING SCREW	1
72	54831072000	O-RING ADJUSTING SCREW	1

C165043110

* NEW PART

X ON DEMAND



165043210

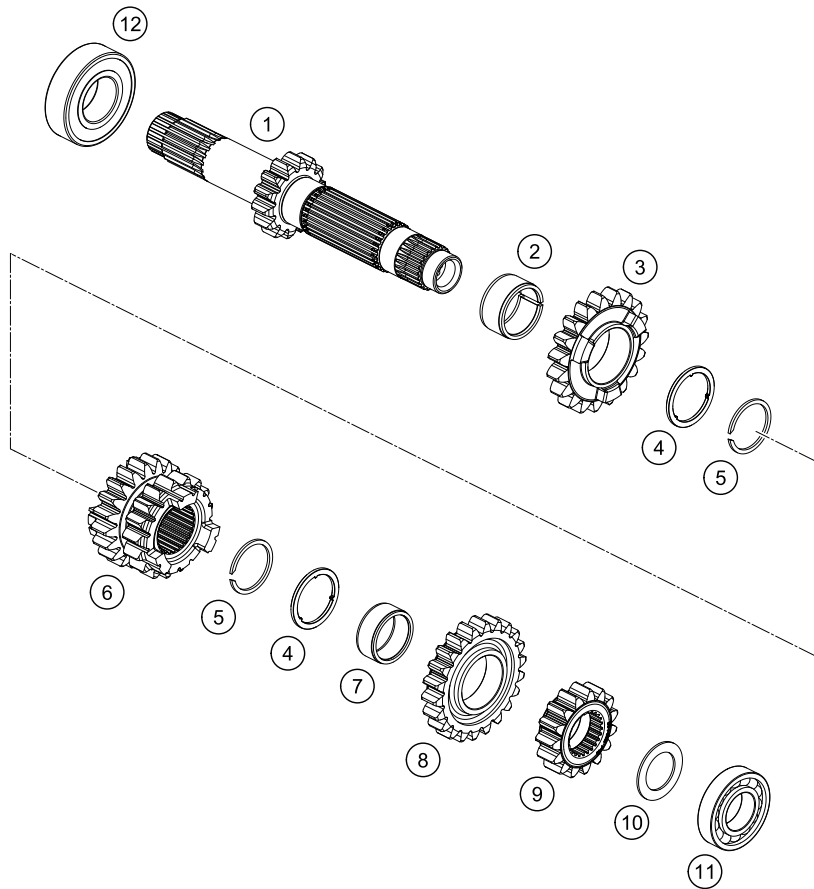
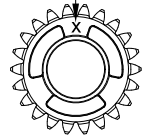
POS	PARTNUMBER	PARTNAME	PIECE
1	50332001044	OUTER CLUTCH HUB '98	1
2	50332002000	INNER CLUTCH HUB 125/200'98	1
3	50332003000	PRESSURE PLATE 125/200'98	1
4	50332010100	INTERMEDI. DISC STEEL 1,5MM'98	2
5	50332010400	INTERMEDIATE DISC 1,5MM	4
6	77032011000	LINING DISC 3,0MM 05	7
7	0025060206	HH COLLAR SCREW M6X20 TX30	5
8	52332006100	STEPPED WASHER 03	5
9	52332005000	CLUTCH SPRING 2,4X40 200'98	5
10	0936181505	HEXAGON NUT DIN0936-M18X1,5 R.	1
11	50332018000	SHEET METAL LOCK 1,5MM '98	1
12	50332020000	STOP DISK 20X39,6X3 '98	1
13	56532095000	NEEDLE BEARING K26X30X22ZW.KSE	1
14	50332013000	INNER RING 20X26X25,9 '98	1
15	50432023023	PRIMARY WHEEL 23T	1
16	78032057044	PRESSURE PIECE CPL. 08	1
17	50432054000	PUSH ROD	1
18	0770300015	O-RING 30,00X1,50 NBR 70	1
19	25032061044	OUTPUT CYL. DOT CPL. 27MM M8	1
20	0603080161	COPPERT GASKET 8x16x1	2
21	25032063000	CLUTCH PIPE L=955MM	1
22	25032062000	HOLLOW SCREW CPL. M8	1
23	0025060166	HH COLLAR SCREW M6X16 TX30	2
24	0025060306	HH COLLAR SCREW M6X30 TX30	1
25	50329050000	VENT INJEKTION HYDR. CLUTCH	1
99	50332011210	CLUTCH KIT 125/200 06-14	1

C165043211

* NEW PART

X ON DEMAND

ACHTUNG !!!
 Bei Bestellung von Getrieberädern, Markierung beachten.
CAUTION !!!
 When ordering transmission gears, check marking.



POS	PARTNUMBER	PARTNAME	PIECE
1	50433001000	DRIVE SHAFT CPL. 14T	1
2	0405212513	NEEDLE BEARING K21X25X13 SPLIT	1
3	50433005000	IDLER GEAR 5TH GEAR, 19T	1
4	50433043000	STOP DISK	2
5	50133090000	LOCK RING 22X1,2	2
6	50433003000	SLIDING GEAR, 3RD/4TH GEAR	1
7	0405202410	NEEDLE BEARING K20X24X10	1
8	50433006000	IDLER GEAR 6TH GEAR, 22T	1
9	50433002000	SOLID GEAR, 2ND GEAR, 15T	1
10	50333041000	STOP DISC 17,2X26X1 B	1
11	0625160031	GROOVED BALL B. 16003 C4 J1	1
12	0625060041	BALL BEARING 6004 TNH C3	1

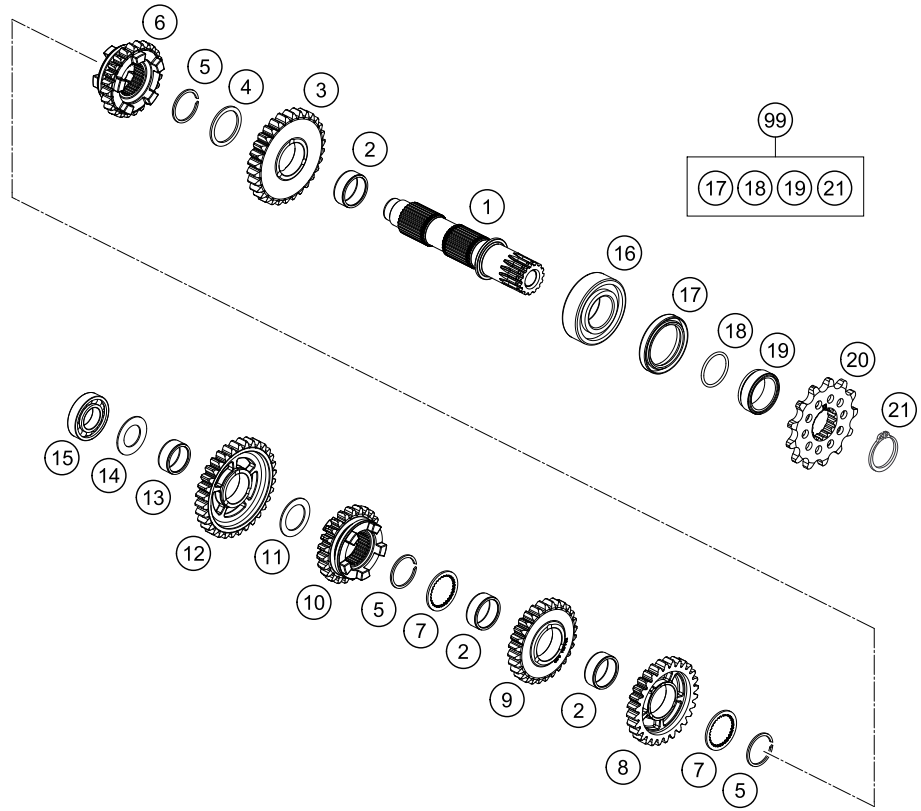
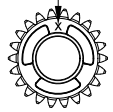
165043330

C165043330

* NEW PART

X ON DEMAND

ACHTUNG !!!
 Bei Bestellung von Getrieberädern, Markierung beachten.
CAUTION !!!
 When ordering transmission gears, check marking.



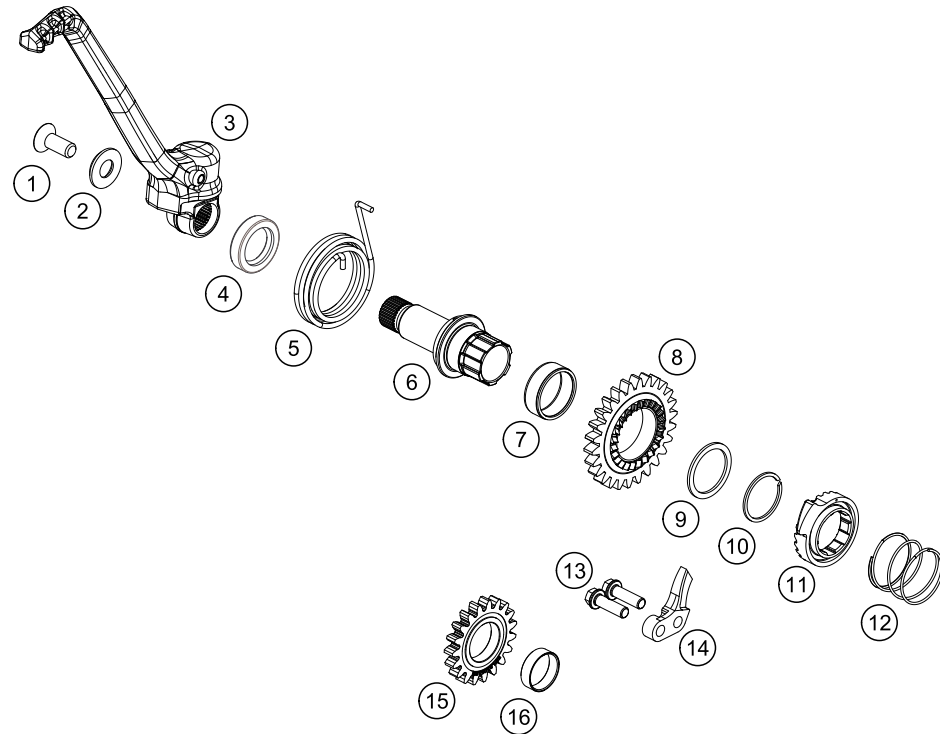
165043360

POS	PARTNUMBER	PARTNAME	PIECE
1	50433010000	DRIVEN SHAFT CPL.	1
2	0405222611	NEEDLE BEAR.K 22X26X10 DIVIDED	3
3	50433012000	IDLER GEAR, 2ND GEAR, 30T	1
4	54833044000	STOP DISC 25X31X1,5	1
5	0417024000	CIRCLIP WS24	3
6	50433016000	SLIDING GEAR, 6TH GEAR, 24T	1
7	54833043000	STOP DISC 25X0,8X30X30X7H	2
8	50433013000	IDLER GEAR, 3RD GEAR, 28T	1
9	50433014000	IDLER GEAR, 4TH GEAR, 28T	1
10	50433015000	SLIDING GEAR, 5TH GEAR, 23T	1
11	54833080000	STOP DISC 20,2X30X1	1
12	50433011000	IDLER GEAR, 1ST GEAR, 32T	1
13	0405202410	NEEDLE BEARING K20X24X10	1
14	56033030000	STOP DISC 17,2X30X1	1
15	0625160031	GROOVED BALL B. 16003 C4 J1	1
16	0625062054	BALL BEARING 6205 C3 NTN	1
17	0760324571	SHAFT SEAL RING 32X45X7 BSLNBR	1
18	0770230020	O-RING 23,00X2,00 NBR70	1
19	50433030000	SPACER BUSHING 12,4 MM	1
20	79233029013	SPROCKET 13T	1
21	0471250200	CIRCLIP DIN0471 - 25X2	1
99	00050000949	COUNTER SHAFT REP. KIT 125 SX	x

C165043360

* NEW PART

X ON DEMAND



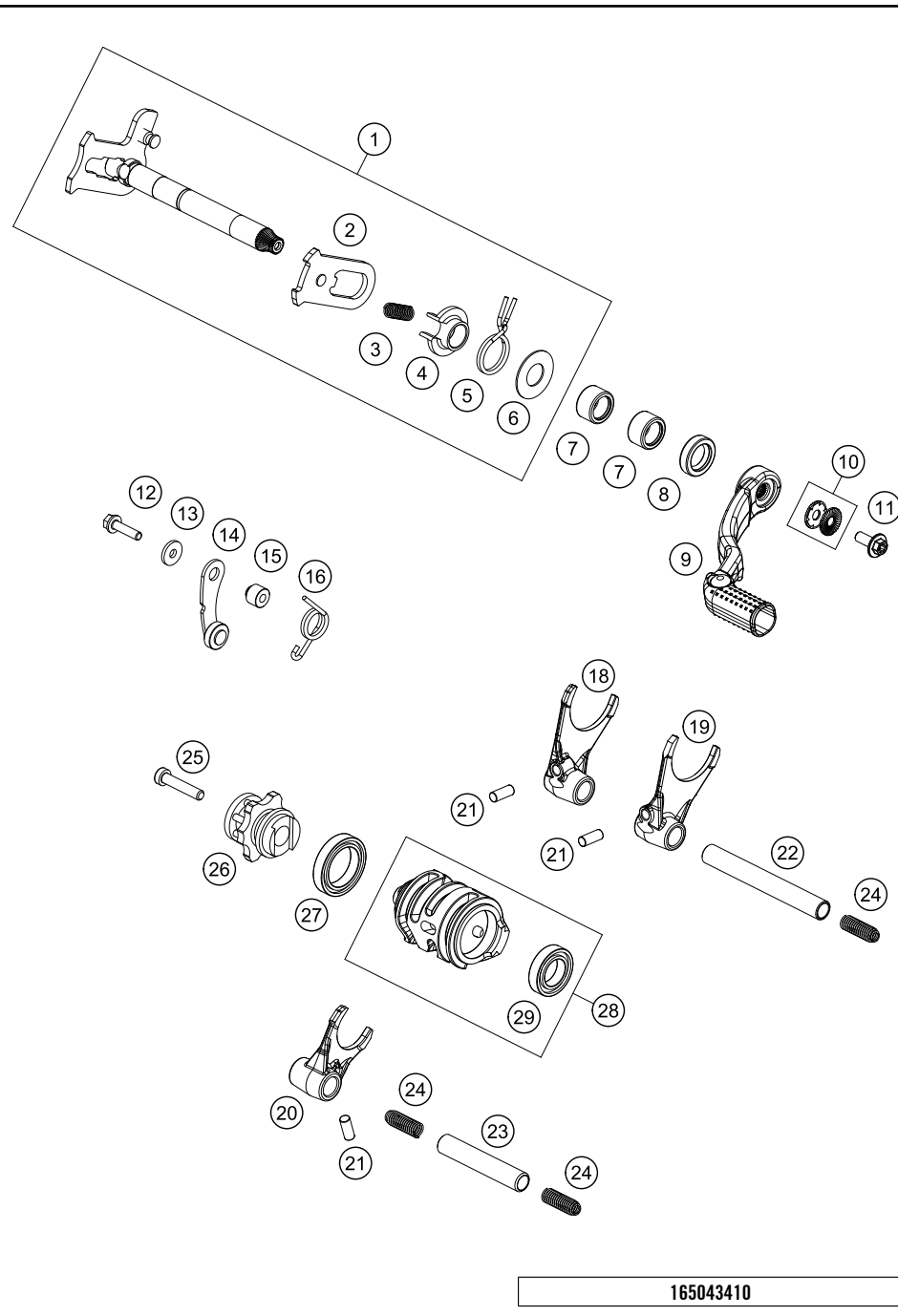
POS	PARTNUMBER	PARTNAME	PIECE
1	0019080206S	FLAT HEAD SCREW M. ISA45 M8X20	1
2	54633037000	WASHER 8MM GALVANIZED	1
3	50433070044	KICKSTARTER CPL.	1
4	0760193070	SHAFT SEAL RING 19X30X7 B	1
5	50433054000	KICK STARTER SPRING	1
6	79233050000	KICK STARTER SHAFT	1
7	0405252910	NEEDLE BEAR K 25X29X10	1
8	50433051026	KICK STARTER WHEEL 26T	1
9	54833044000	STOP DISC 25X31X1,5	1
10	0417025000	CIRCLIP SW25	1
11	50433052000	KICK STARTER RATCHET	1
12	58033028000	RATCHET GEAR SPRING 1,2 MM	1
13	0025060206	HH COLLAR SCREW M6X20 TX30	2
14	50333069000	STOP MET.SHEET 4MM 125/200'98	1
15	50433053019	STARTER INTERMEDIATE GEAR 19T	1
16	50433024050	BUSHING IDLER GEAR	1

165043390

C165043390

* NEW PART

X ON DEMAND

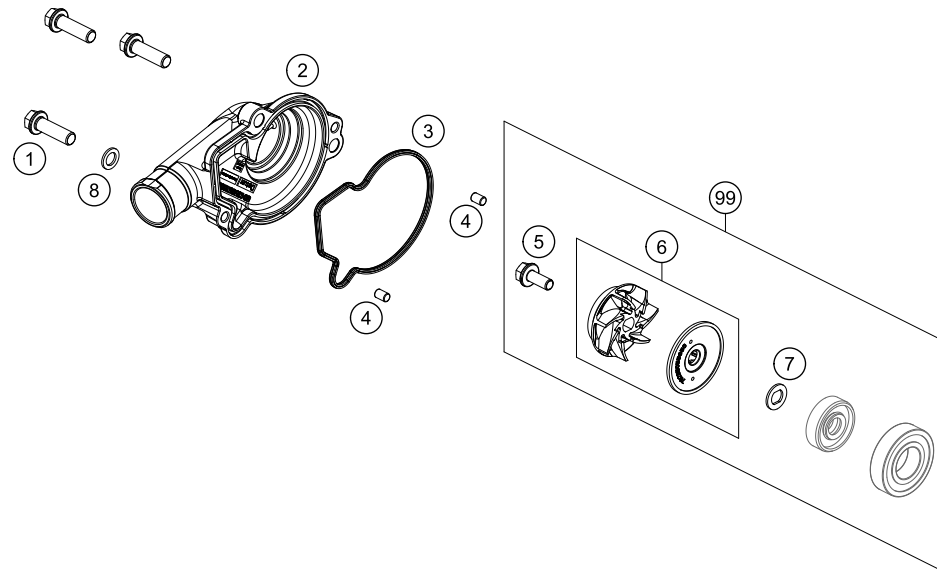


POS	PARTNUMBER	PARTNAME	PIECE
1	54834005133	SHIFT SHAFT ASSY	1
2	61234008044	SLIDING PLATE	1
3	56534013100	TENSIONING SPRING 0,8MM	1
4	54634020000	SPRING GUIDE	1
5	54834014000	RETURN SPRING 03	1
6	54634050000	STOP DISK 14X30X1	1
7	54632095000	NEEDLE BEAR.HK 1412 14X20X12	2
8	0760142460	SHAFT SEAL RING 14X24X6 B	1
9	79434031000	SHIFTING LEVER CPL.	1
10	50233041500	NORDLOCK WASHER M6	1
11	0024060156S	HH COLLAR SCREW M6X15 TORX30	1
12	0025050206	HH COLLAR SCREW M5X20 TX30	1
13	0349000050	WASHER DIN7349-5X15X2	1
14	50334024144	LOCATING LEVER CPL. 08	1
15	54634052300	SLEEVE FOR LOCKING LEVER	1
16	54834023000	LOCKING LEVER SPRING 03	1
18	50434003000	SHIFTING FORK 1ST/3RD GEAR	1
19	50434002000	SHIFTING FORK 2ND/4TH GEAR	1
20	50434001000	SHIFTING FORK 5/6 GEAR	1
21	0402061480	NEEDLE ROLLER DIN5402 6X14,8	3
22	54834020000	SHIFT. RAIL C. SHAFT 250/300	1
23	54834019000	SHIFT. RAIL MAIN SHAFT 250/300	1
24	58038023200	PRESSURE SPRING 0,9MM	3
25	0012060303	% AH SCREW DIN6912 M6X30 8.8	1
26	50434015033	SHIFT DRUM LOCATING CPL.	1
27	0625618050	BALL BEARING 61805 C3	1
28	50434012033	SHIFTING DRUM CPL.	1
29	0625069034	BALL BEARING 6903 C4	1

165043410

C165043410

* NEW PART X ON DEMAND



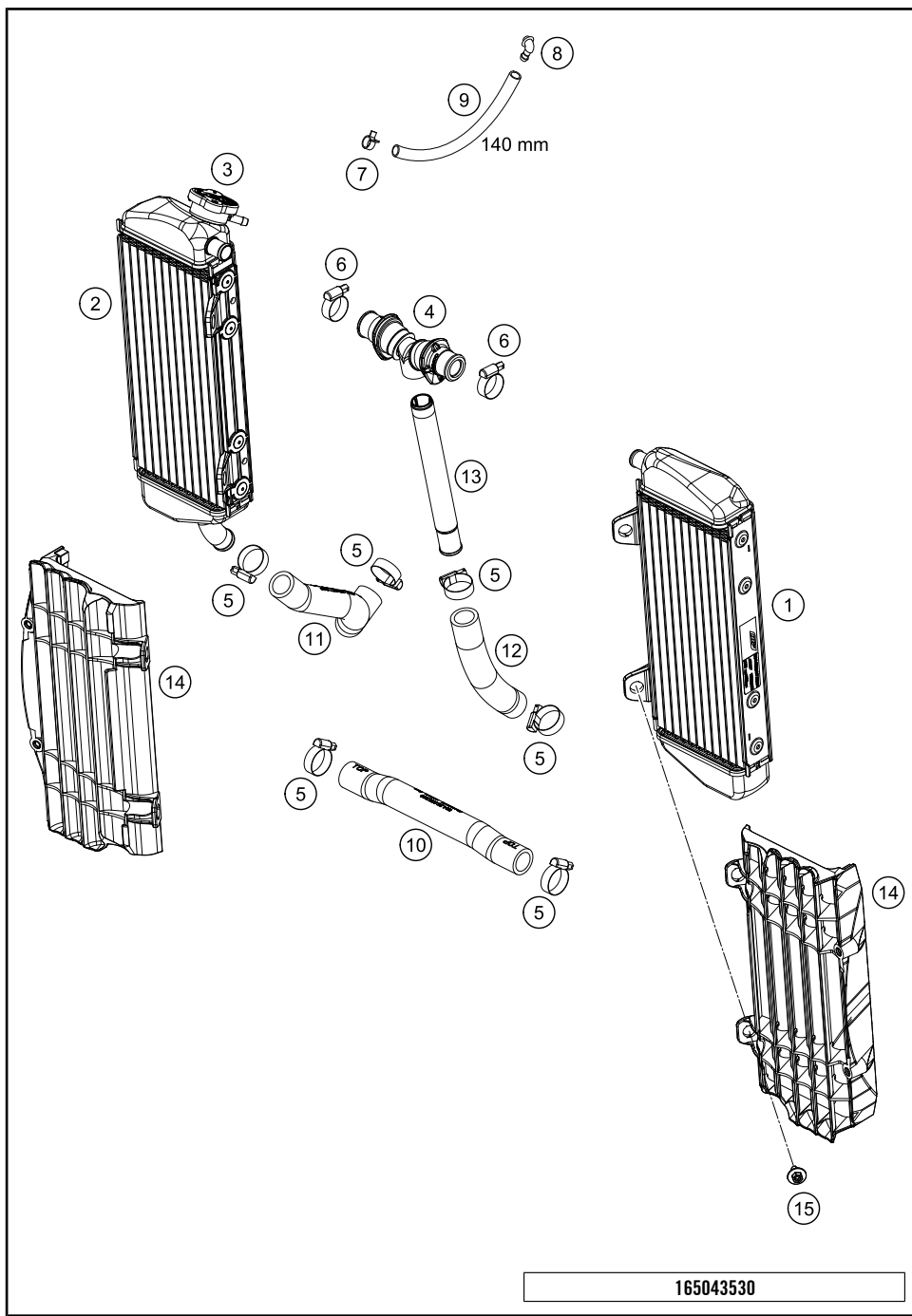
POS	PARTNUMBER	PARTNAME	PIECE
1	0025060206	HH COLLAR SCREW M6X20 TX30	3
2	50435052000	WATER PUMP COVER	1
3	50435053000	GASKET WATER PUMP COVER	1
4	0402040600	NEEDLE ROOLER DIN5402 NRB 4X6	2
5	0014050123	HH COLLAR SCREW M 5X12 WS=6	1
6	79235055044	WATER PUMP WHEEL CPL.	1
7	50435049000	PREFORMED WASHER	1
8	0603061001	CU-SEAL RING DIN7603-6X10X1	1
99	50435055015	WATER PUMP REP. KIT	X

165043510

C165043510

* NEW PART

X ON DEMAND



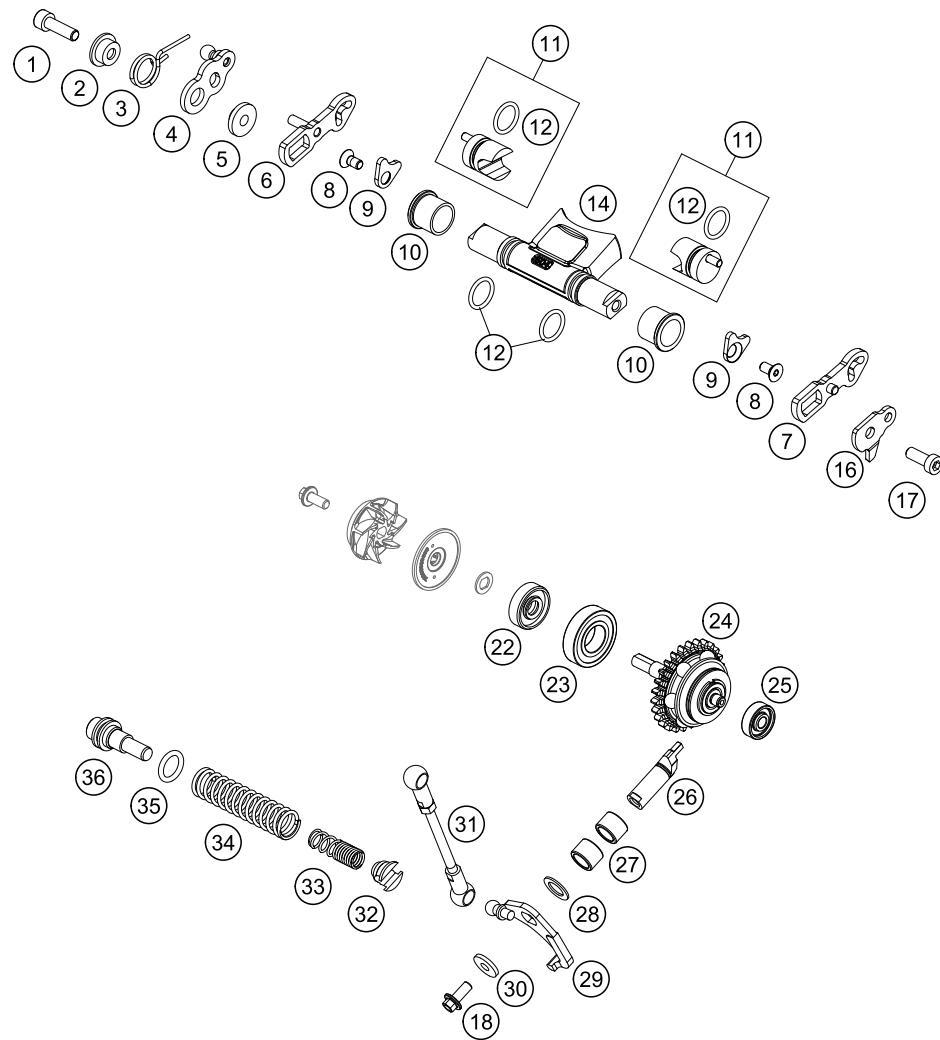
POS	PARTNUMBER	PARTNAME	PIECE
1	50435007000	RADIATOR LEFT 16	1
2	50435008000	RADIATOR RIGHT 16	1
3	79035016000	RADIATOR CAP 1,8 BAR	1
4	79035071044	Y-PIECE CPL.	1
5	10001020000	HOSE CLAMP GEMI 18-29	6
6	42013037400	HOSE CLAMP NORMA 14/24	2
7	59007017000	CLAMP YDNAC 10096F (9,6MM)	1
8	50303089000	ANGLE PIECE '97	1
9	50335030001	PVC-HOSE 6X9	x
10	50435025000	PREFORMED HOSE RADIATOR	1
11	50435027000	PREFORM.HOSE ENGINE/RAD. R/S	1
12	50335025142	RADIATOR HOSE 18x25x142 07	1
13	77235073000	HOSE CONNECTOR L=172,5	1
14	7903503400030	RADIATOR PROTECT 2016	2
15	0024060123	COLLAR SCREW M6X12 TX	4

165043530

C165043530

* NEW PART

X ON DEMAND



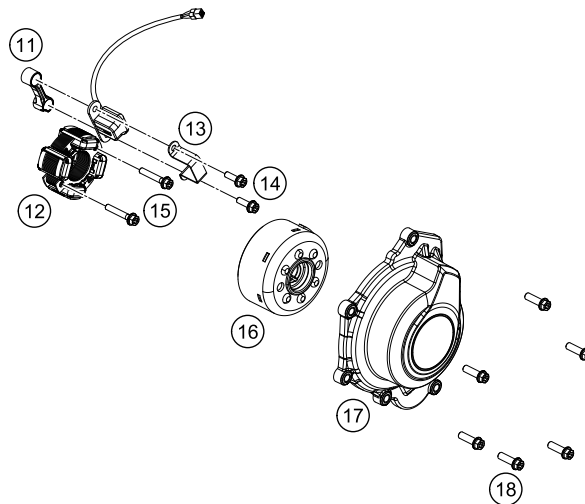
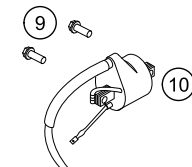
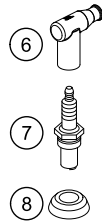
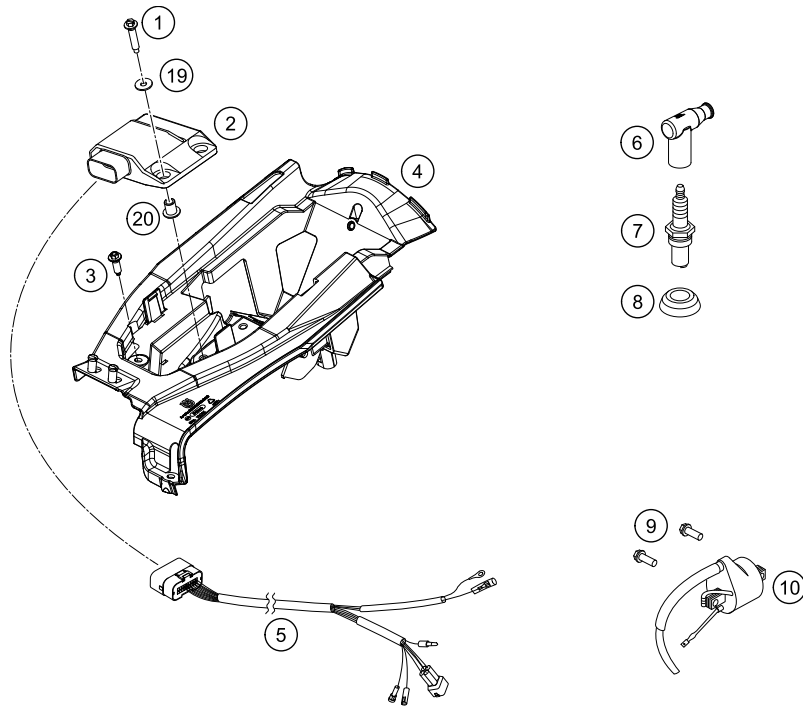
POS	PARTNUMBER	PARTNAME	PIECE
1	0912060203	AH SCREW DIN0912-M 6X20	1
2	54637067000	SPRING SLEEVE	1
3	54637066000	OVERLOAD SPRING	1
4	54637065000	CONTROL LEVER WITH BALL TYPE	1
5	54637068100	BUSHING SLEEVE	1
6	50437065044	SLOTTED LEVER R/S	1
7	50437064044	SLOTTED LEVER L/S	1
8	0019050106S	INT. TORX FLAT HEAD M5X10 10.9	2
9	50437079000	LOCK PLATE	2
10	50437023000	BEARING SLEEVE F. CONTROL FLAP	2
11	50437061044	CONTROLLER DRUM CPL.	2
12	0770140201	O-RING 14X2 FPM 75SH	4
14	50437020000	CONTROL FLAP	1
16	50437085000	STOP PLATE	1
17	0912060163	AH SCREW DIN0912-M 6X16	1
18	0014050123	HH COLLAR SCREW M 5X12 WS=6	1
22	0760082472	SHAFT SEAL RING 8X24X7 A DUO	1
23	0625160020	BALL BEARING 16002 C3	1
24	50437050044	CENTRIFUGAL UNIT	1
25	54637098100	BALL BEARING 626LLBC3/5K	1
26	50437057100	ADJUSTING LEVER 125/150 2016	1
27	0618101410	NEEDLE SLEEVE HK 1010 10/14/10	2
28	0988101610	SHIM WASHER DIN988 10X16X1	1
29	54637055244	ANGLE LEVER CPL. '91	1
30	0349000050	WASHER DIN7349-5X15X2	1
31	50437095044	CONNECTING ROD CPL.	1
32	54637071200	SPRING INSERT	1
33	50437069050	SUPPORT SPRING	1
34	54837069000	ADJUST. SPRING 2003	1
35	0770021120	O-RING 12,37X2,62 NBR70	1
36	54837075000	SPRING GUIDE 250/300	1

165043710

C165043710

* NEW PART

X ON DEMAND



POS	PARTNUMBER	PARTNAME	PIECE
1	0017060305	SPECIAL SCREW K60X30 WS=6	2
2	50439031000	ELECTRONIC BOX 125 SX 2016	1
3	0017060206	SCREW F. PLASTIC K60X20AL SW6	1
4	25011055000	BATTERY BOX	1
5	54839032200	WIRING HARNESS FOR CDI 2-ST.07	1
6	47039090000	SPARK PLUG CAP NGK REINFORC.04	1
7	51539093000	SPARK PLUG BR9ECMVX	1
8	50231012000	SEALING CUP FOR SPARK PLUG	1
9	0026060186	COLLAR SCREW M6X18 ISA30	2
10	59039006000	IGNITIONCOIL "IG5128"	1
11	50439013000	DISTANCE UNIT	1
12	50439004000	STATOR	1
13	50439004010	PICKUP BRACKET	1
14	0014050163	HH COLLAR SCREW M 5X16 WS=6	2
15	0912050253	AH SCREW DIN0912-M 5X25	2
16	50439005000	ROTOR	1
17	50430602000	IGNITION COVER	1
18	0025060206	HH COLLAR SCREW M6X20 TX30	6
19	0021050003	WASHER DIN9021-A 5,3	2
20	60308006000	COLLAR BUSHING 6,2X9,2X15X12,5	2

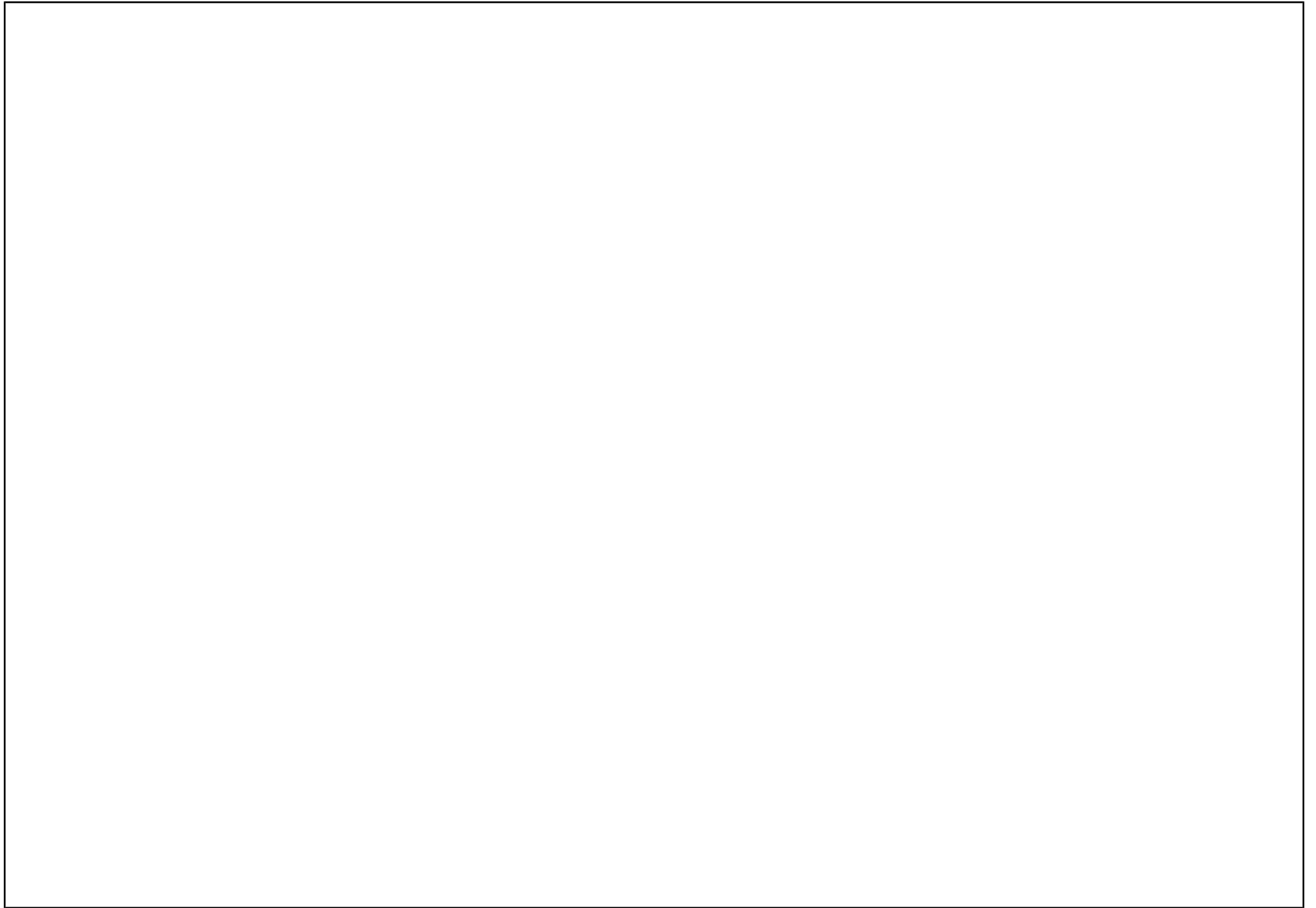
165043911

C165043911

* NEW PART

X ON DEMAND

A large, empty rectangular box with a thin black border, occupying the majority of the page. It is intended for handwritten or typed notes.





3CM081524PEN



Husqvarna Motorcycles GmbH
Stallhofnerstraße 3 | 5230 Mattighofen | Austria
www.husqvarna-motorcycles.com

