

SPAREPARTSCATALOG

CHASSIS

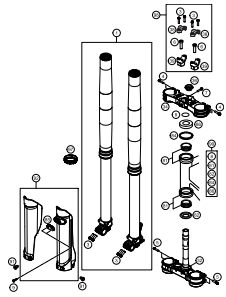
ART.-NR.: 3CFF2175P4EN

FE 250 US 2016



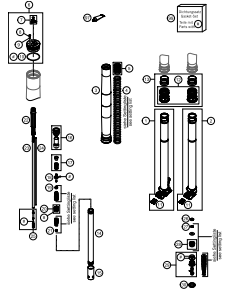
Husqvarna®
MOTORCYCLES

FRONT FORK, TRIPLE CLAMP



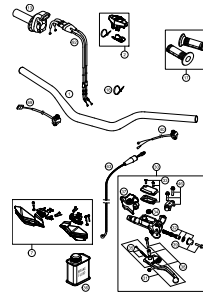
4

FRONT FORK DISASSEMBLED



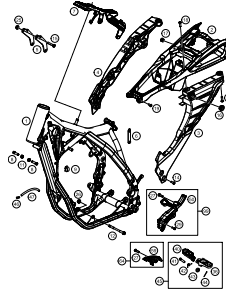
5

HANDLEBAR, CONTROLS



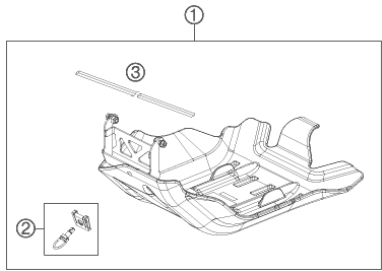
6

FRAME



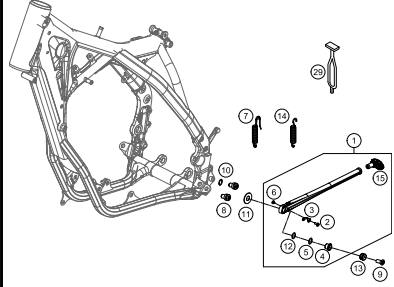
7

ENGINE GUARD



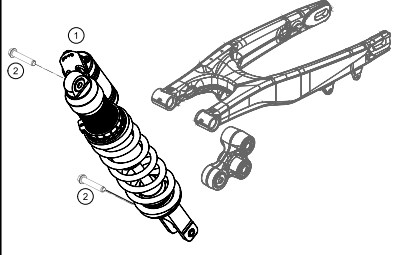
8

SIDE / CENTER STAND



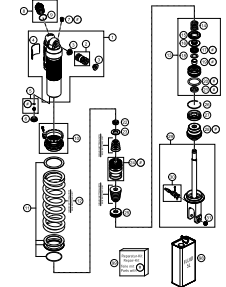
9

SHOCK ABSORBER



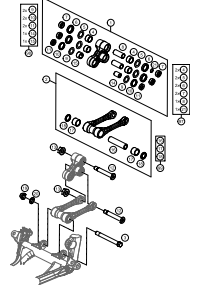
10

SHOCK ABSORBER DISASSEMBLED



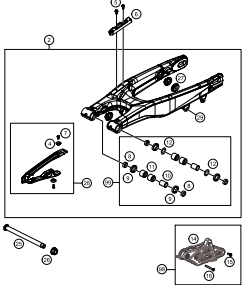
11

PRO LEVER LINKING



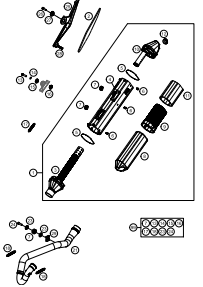
12

SWING ARM



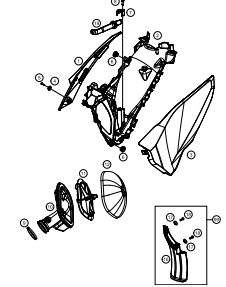
13

EXHAUST SYSTEM



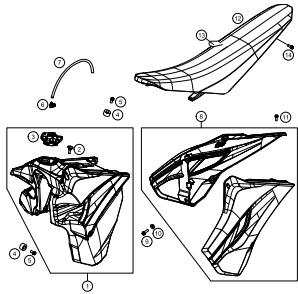
14

AIR FILTER



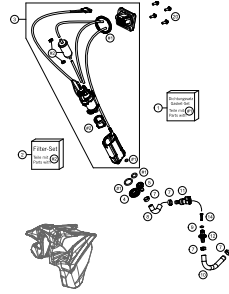
15

TANK, SEAT, COVERS



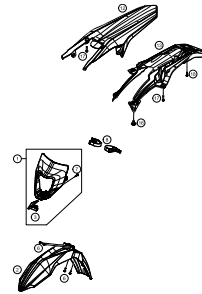
16

FUEL PUMP



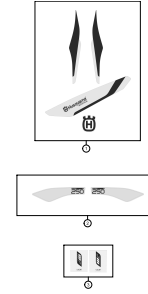
17

MASK, FENDERS



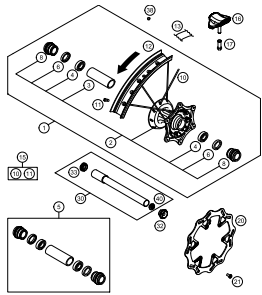
18

DECAL



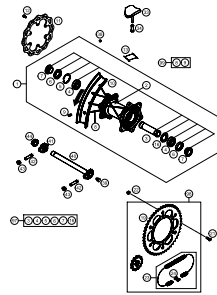
19

FRONT WHEEL



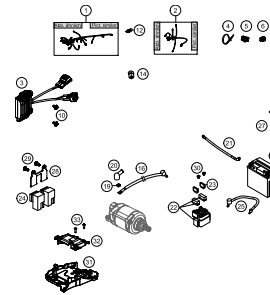
20

REAR WHEEL



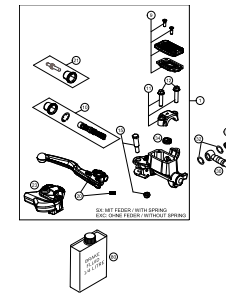
21

WIRING HARNESS



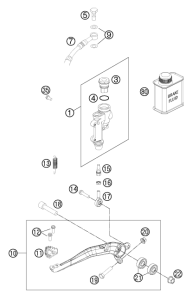
22

HAND BRAKE CYLINDER



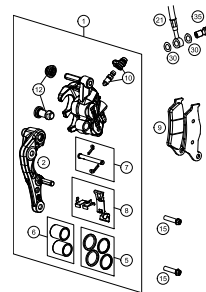
23

REAR BRAKE CONTROL



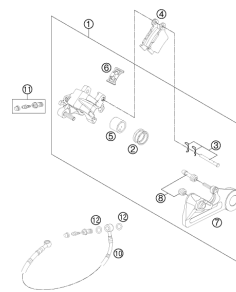
24

BRAKE CALIPER FRONT



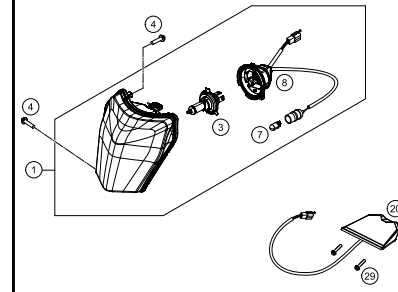
25

BRAKE CALIPER REAR



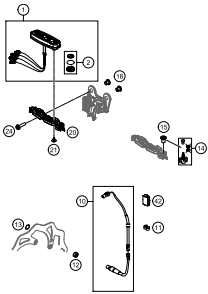
26

LIGHTING SYSTEM



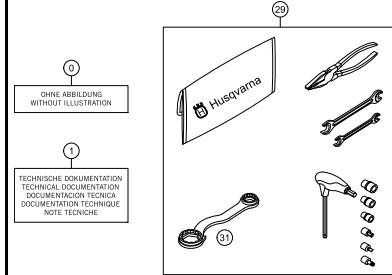
27

INSTRUMENTS, LOCK SYSTEM



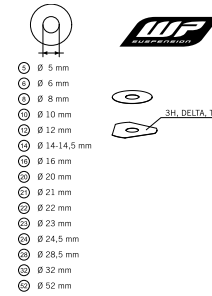
28

ACCESSORIES KIT



29

WP SHIMS FOR SETTING

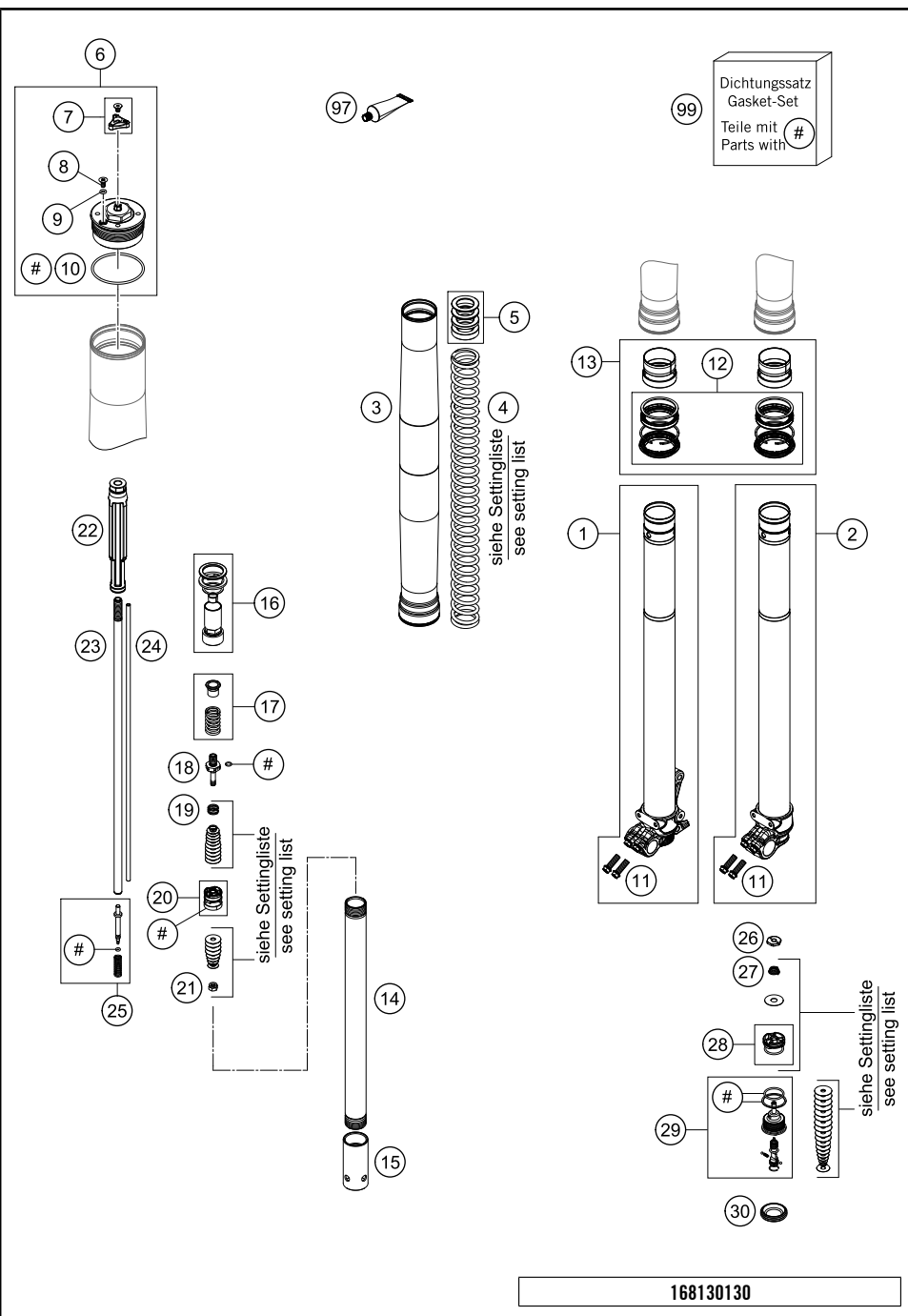


30



All information contained is without obligation. HUSQVARNA MOTORCYCLES GmbH particularly reserves the right to modify any equipment, technical specifications, prices, colors, shapes, materials, services, service work, constructions, equipment and the like so as to adapt them to local conditions or to cancel any of the above items, all without previous announcement and without giving reasons. KTM may stop manufacturing certain models without previous notice. HUSQVARNA MOTORCYCLES shall not be held liable for any deviations of availability and/or ability to deliver, illustrations, descriptions, printing and/or other errors. The illustrated models partly contain extra equipment, which is not applied to standard models.

© by HUSQVARNA MOTORCYCLES GmbH, Mattighofen AUSTRIA; All rights reserved; Reprint, also in extracts, with written allowance of HUSQVARNA MOTORCYCLES GmbH, Mattighofen only.



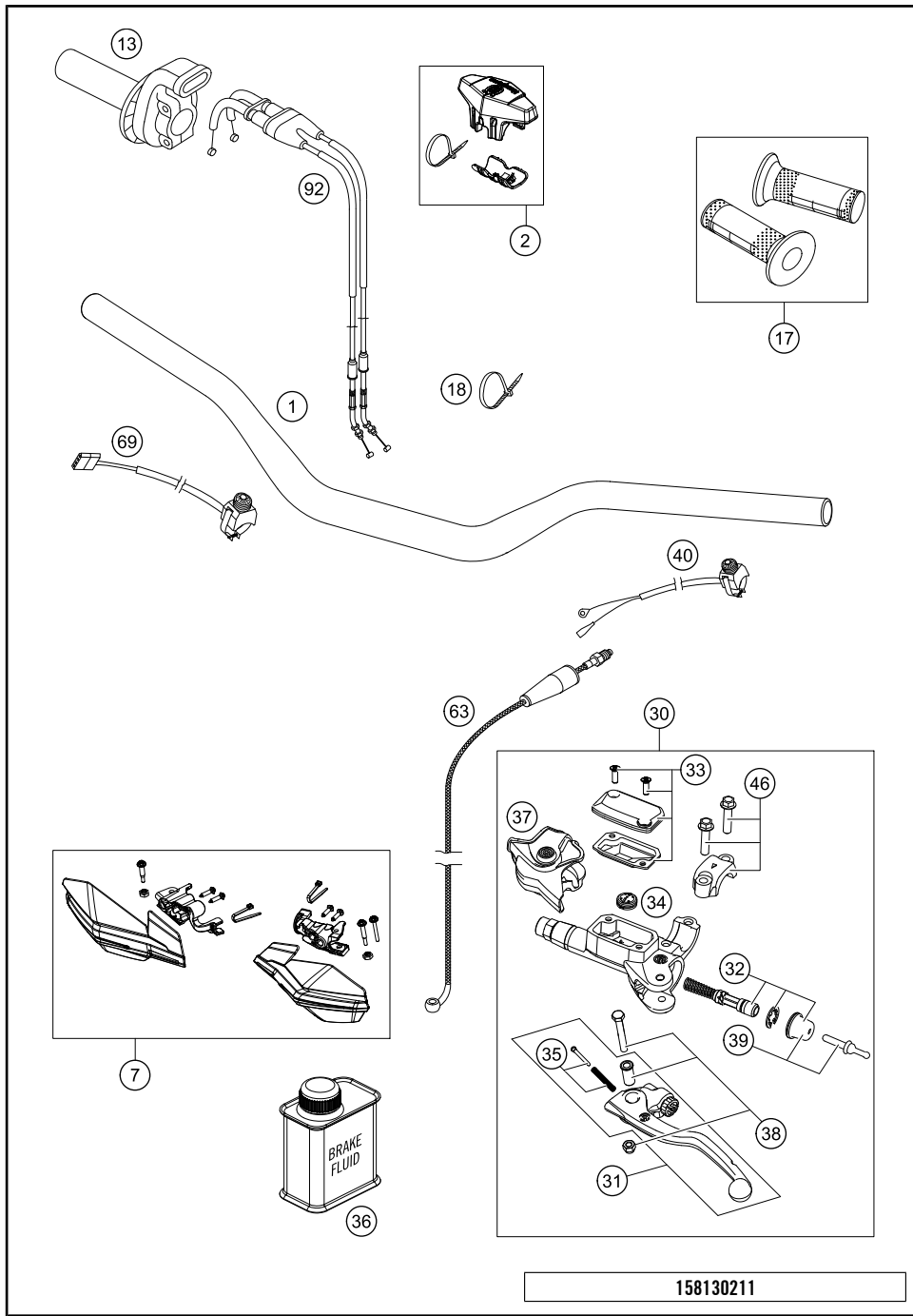
168130130

POS	PARTNUMBER	PARTNAME	PIECE
1*	48601437S1	AXLE CLAMP L/S + TUBE CPL.	1
2*	48601438S1	AXLE CLAMP R/S + TUBE CPL.	1
3	48600736	OUTER TUBE L577 D54/60MM 2L	2
4	91410012S	SPRING 3,8N/MM SET D=4,9MM	x
4	91410013S	SPRING 4,0N/MM SET D=5,0MM	x
4	91410014S	SPRING 4,2N/MM SET D=5,0MM	x
4	91410015S	SPRING 4,4N/MM SET D=5,1MM	x
4	91410016S	SPRING 4,6N/MM SET	x
4	91410017S	SPRING 4,8N/MM SET	x
5*	R14026	SPRING SPACER KIT	1
6*	48601561E	SCREW CAP M51X1,5 BLACK	2
7*	48601118S	ADJUSTER REB. RED CPL.	2
8	48600481	VENT SCREW M4X8	2
9	48600046	O-RING NBR 3X1,5	2
10	46810340	O-RING NBR 45X2	2
11	0025080256	HH COLLAR SCREW M8X25 TX40	4
12*	R14040	GASKET KIT CPL.	1
13	R14063	FORK REP. KIT 48MM OFFROAD	1
14	48600763	PIPE D23/L350 09	2
15	48600764	ADAPTER SLEEVE D23/D28	2
16	48600830S	SCREW SLEEVE M27X0,8	2
17*	48600511S	REBOUND SPRING L32 C17 CPL.	2
18	48600576	PISTON ROD REBOUND	2
19*	35480377	SPRING CHECK VALVE D=0,5	2
20*	48600575S	PISTON REBOUND + PISTON RING	2
21	40540486	NUT M6X0,5 REBOUND	2
22	48600557S	HYDR.STOP L=200 D=31,9 CPL. 07	2
23	48600568	PISTON ROD D=12 L=554 ALU	2
24	48600559	ADJUSTING TUBE L=520 07	2
25	48600277S	ADJUSTING NEEDLE CPL.	2
26	48600163	CHECK VALVE NUT M6X0,5 D=2	2
27	48600202	SPRING CHECK VALVE D=0,7	2
28*	48600047S	PISTON + O-RING	2
29	48600586E	TAP COMPRESSION CPL.	2
30	48600141	RUBBER CAP D=35MM	2
97	T511	SILICONE GREASE F. DUST STRI	1
99	R14064	O-RING KIT FORK 48MM	1

C168130130

* NEW PART

X ON DEMAND



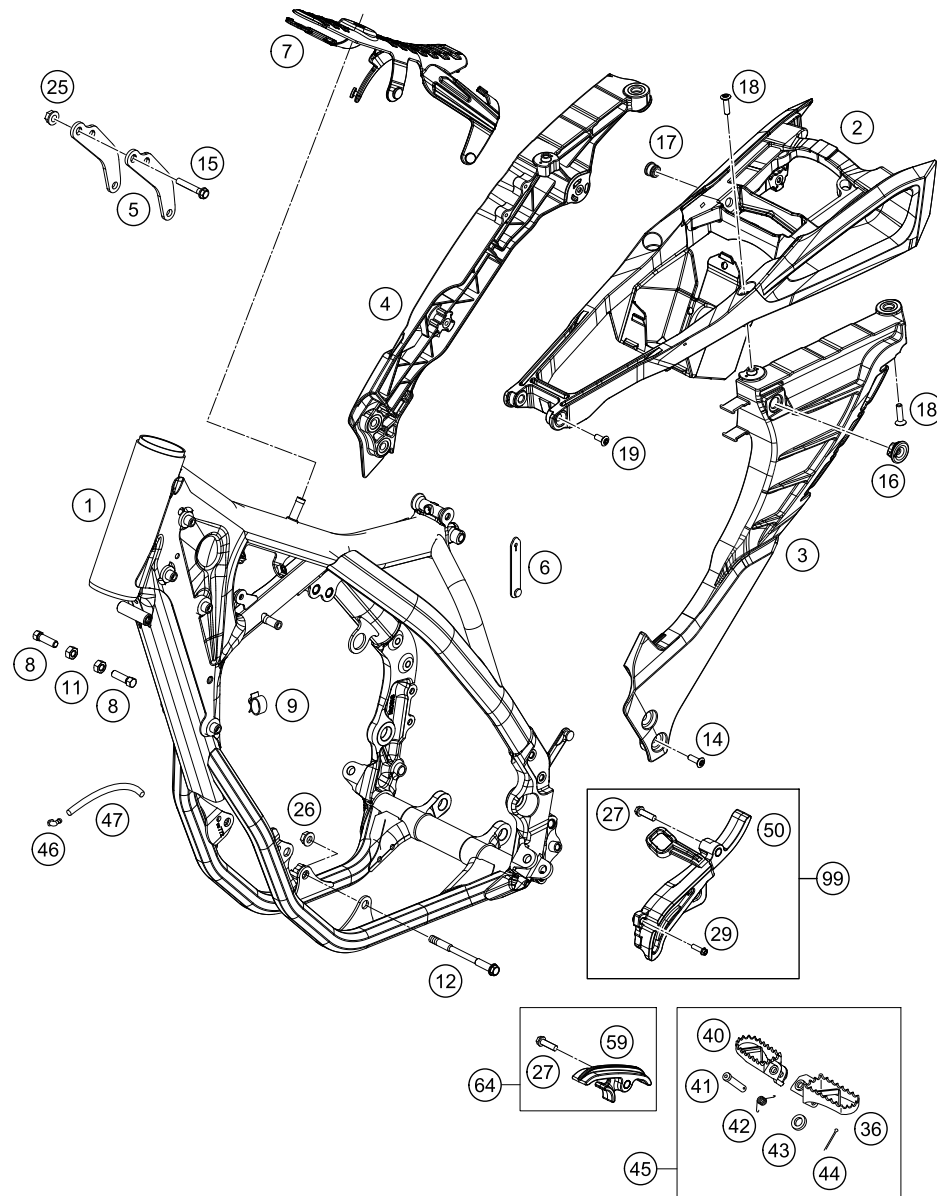
POS	PARTNUMBER	PARTNAME	PIECE
1	7800200100017	HANDLEBAR D=28MM	1
2	80302602044	BAR PAD CPL.	1
7*	2500207900028	HANDGUARD CPL. LE.+RI. WHITE	1
13	78102010000	THROTTLE GRIP CPL.	1
17	80302021000	GRIP SET BLACK/WHITE	1
18	44011076200	CABLE TIE 200/3,6MM BLACK	x
18	44011076140	CABLE TIE 140/2,5MM BLACK	x
30	54802030144	MASTER CYLINDER CPL.	1
31	54802031000	CLUTCH LEVER CPL. BREMBO 06	1
32	54802032000	REP. KIT PISTON 06	1
33	5480200310030	COVER HYD. CLUTCH CPL. 2014	1
34	54802051000	VALVE	1
35	54802052000	BOLT KPL.	1
36	00062030000	BRAKE FLUID DOT5.1 0,25L	1
37	54802037000	PROTECTION CAP 06	1
38	54802038100	LEVER SCREW CPL. 06	1
39	54802046000	PUSH ROD CPL.	1
40	50311089200	SHORT CIRCUIT BUTTON 02	1
46	54802005100	CLAMP CPL. 06	1
63	54832063000	CLUTCH PIPE 06	1
69	78111074000	STARTER BUTTON GREY 13	1
92	78102091000	THROTTLE CABLE 4ST. 13	1

158130211

C168130212

* NEW PART

X ON DEMAND



158130312

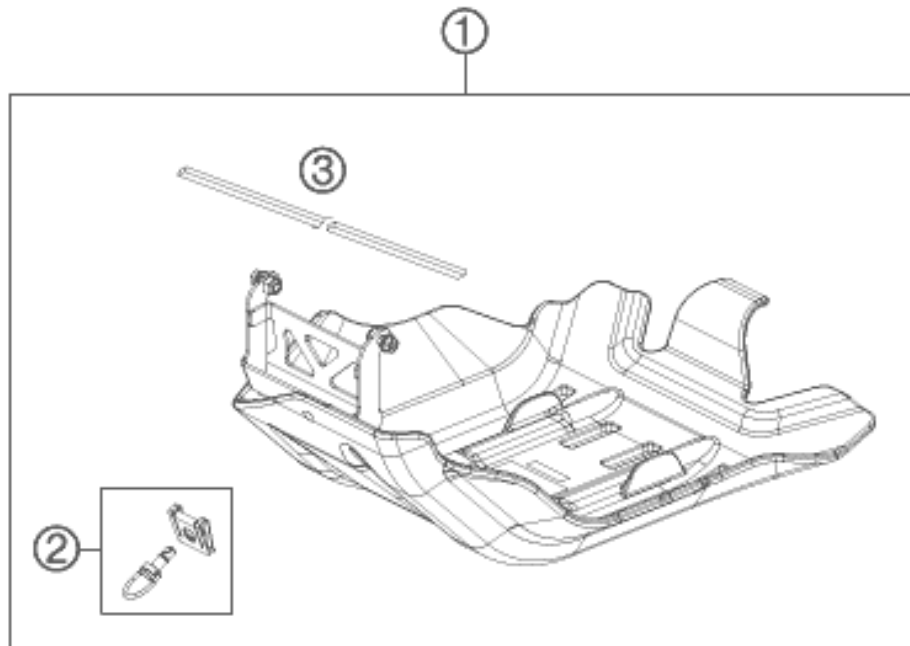
POS	PARTNUMBER	PARTNAME	PIECE
1	8130350110028	FRAME250/350FE USA2014(H75502)	1
2	8130300211030	SUB FRAME UPPER PART CPL. 14	1
3	8130300222030	SUB FRAME L/S cpl.	1
4	8130300213030	SUB FRAME R/S CPL. 2014	1
5	77703013000	REINFORCING	2
6	60011093075	RUBBER CABLE TIE 75MM 03	1
7	77207012000	TANK REST RUBBER	1
8	59001037000	SPECIAL SCREW M8X26 WS=10	2
9	58111076000	CABLE SUPPORT KHS NR.150-47610	1
11	0934080003	HEXAGON NUT DIN0934-M 8	2
12	77203014000	ENGINE BRAC.SCR. M10X115	2
14	0035080206S	AH-COLLAR SCREW M8X20 ISA45	4
15	56530079000S	HH COLLAR SCREW M8X44 WS13	2
16	47106003160	QUICK CONNECTOR CLUTCH	3
17	81303002011	SPACER BUSHING 12X9X6,2	2
18	0019080306S	COUNTER-SUNK SCREW ISA45 M8X30	4
19	0035080306S	AH-COLLAR SCREW M8X30 ISA45	2
25	06923080003	HEXAGON NUT DIN EN1661 M8 SW13	3
26	54310086100	SELF LOCKING NUT M10 CU WS=14	2
27	0025080306	HH COLLAR SCREW M8X30 TX40	2
29	0025060256	HH COLLAR SCREW M6X25 TX30	1
36	78003040050	FOOTREST L/S 08	1
40	78003041050	FOOTREST R/S 08	1
41	54803044000	PIN FOR FOOT PED 51.5X9.8 MM	2
42	54603041000	FOOTREST SPRING L/S & R/S	2
43	0125100003	WASHER DIN0125-A10,5	2
44	0094032253	PIN DIN0094-3,2X25 STEEL	2
45	78003040033	FOOTREST L/S + R/S CPL. 09	1
46	50303089000	ANGLE PIECE '97	2
47	55007016001	PVC-HOSE 7X10 PER METER	0
50	77203096000	SPROCKET COVER 350 SX-F	1
59	77203053000	CHAIN SLIDER LOWER PART CPL.	1
64	77203053010	CHAIN SLIDING KIT BELOW CPL.11	1
99	77203096010	SPROCKET COVER KIT	x

C168130311

* NEW PART

X ON DEMAND

POS	PARTNUMBER	PARTNAME	PIECE
1	77503190000	SKID PLATE CPL.	1
2	59003090350	QUICK RELEASE 03	1
3	78103190030	SHIMSTRIPE 1000X11X3	1

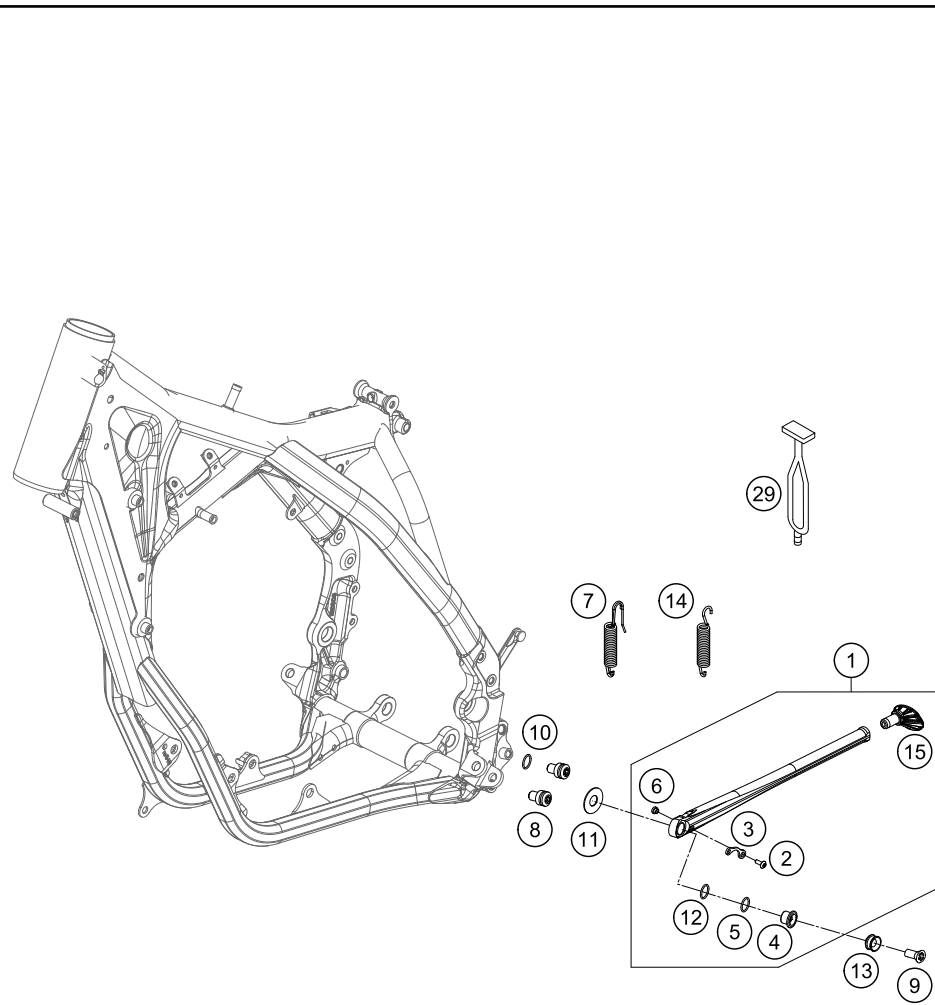


137750330

C138130333

* NEW PART

X ON DEMAND



POS	PARTNUMBER	PARTNAME	PIECE
1	78003023044	SIDE STAND CPL. 08	1
2	58605083014	SCREW M5X14 TORX 25 07	1
3	78003023090	SPRING BRACKET F. SIDE ST. 08	1
4	78003023080	SIDE STAND BUSHING EXC USA 08	1
5	0770180020	O-RING 18,00X2,00 NBR 70	1
6	78003023070	SPACER BUSH. SPRING BRACKET	1
7	81203024000	SIDE STAND SPRING EYE MOVEABLE ONLY FOR EU/AUS	1
8	78003023182	SIDE STAND STOP SCREW M10X12	2
9	0019080266S	COUNTER-SUNK SCREW ISA45 M8X26 ONLY FOR 78003023081	1
9	0019080206S	FLAT HEAD SCREW M. ISA45 M8X20	1
10	0770120020	O-RING 12,00X2,00 NBR 70	1
11	78003023083	WASHER F. SIDE STAND 12,2X29,5	1
12	0770125015	O-RING 12,5X1,5 NBR	1
13	78003023081	SIDE STAND BUSHING EXC-EU 08	1
14	78003024100	SIDE STAND SPRING 08 ONLY FOR USA	1
15	78003023155	STAND BASE	1
29	50303018000	RUBBER L=145MM	1

148130360

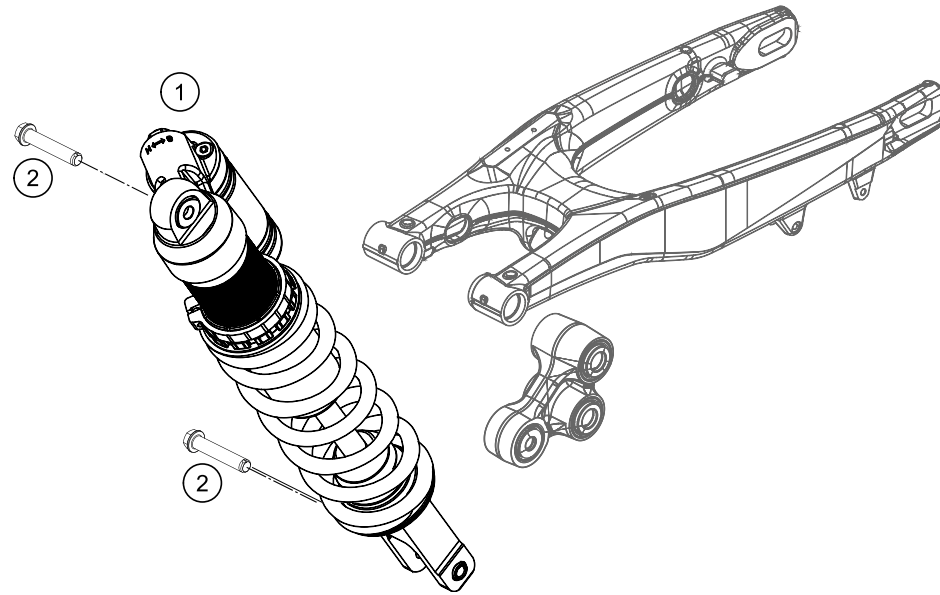
C148130360

* NEW PART

X ON DEMAND

SHOCK ABSORBER

FE 250 US 2016



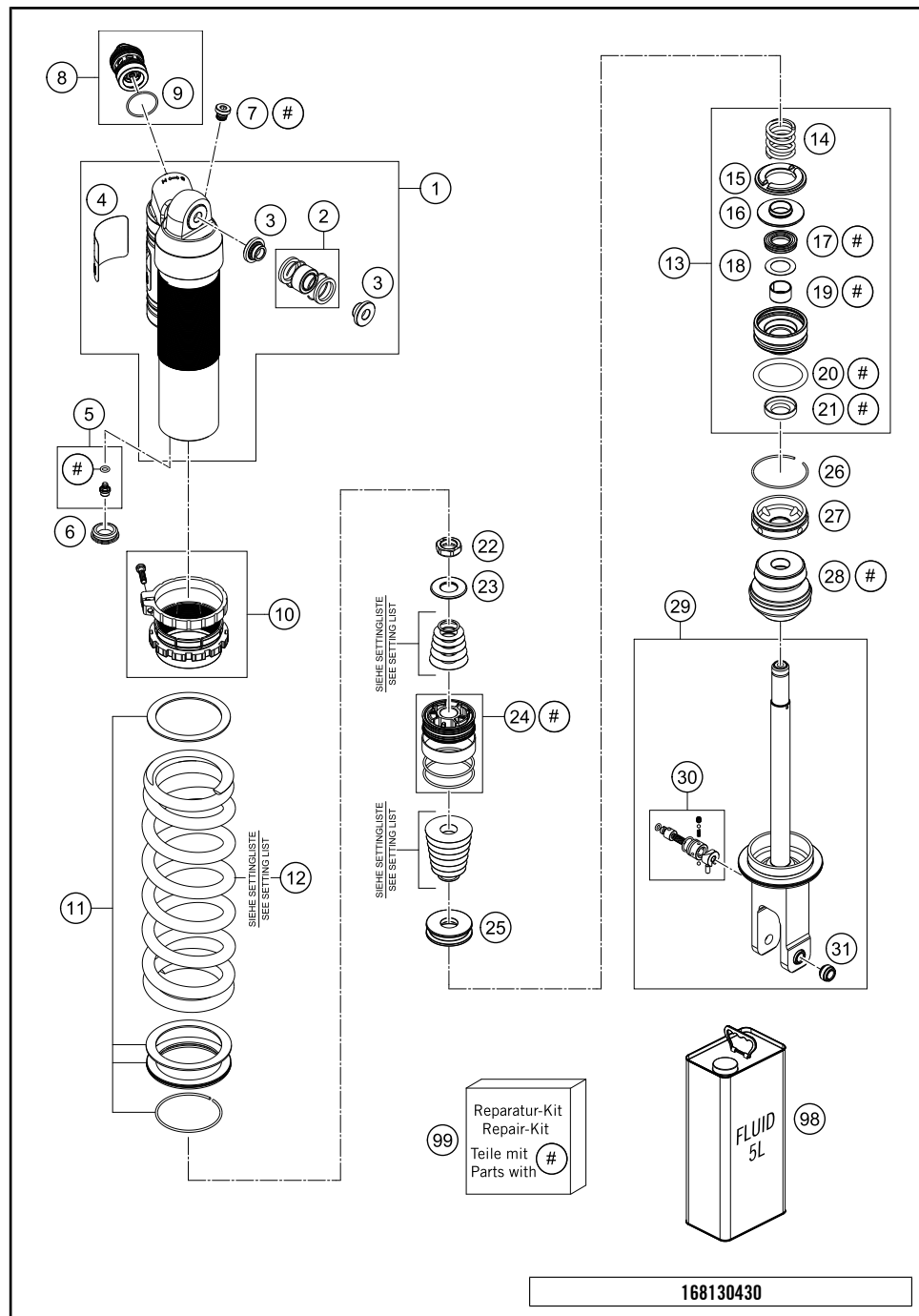
POS	PARTNUMBER	PARTNAME	PIECE
1*	18157P6701	MONOSHOCK FE 250/350 16	1
2	77204089000	HH COLLAR SCREW M10X52 SW13	2

168130410

C168130410

* NEW PART

X ON DEMAND

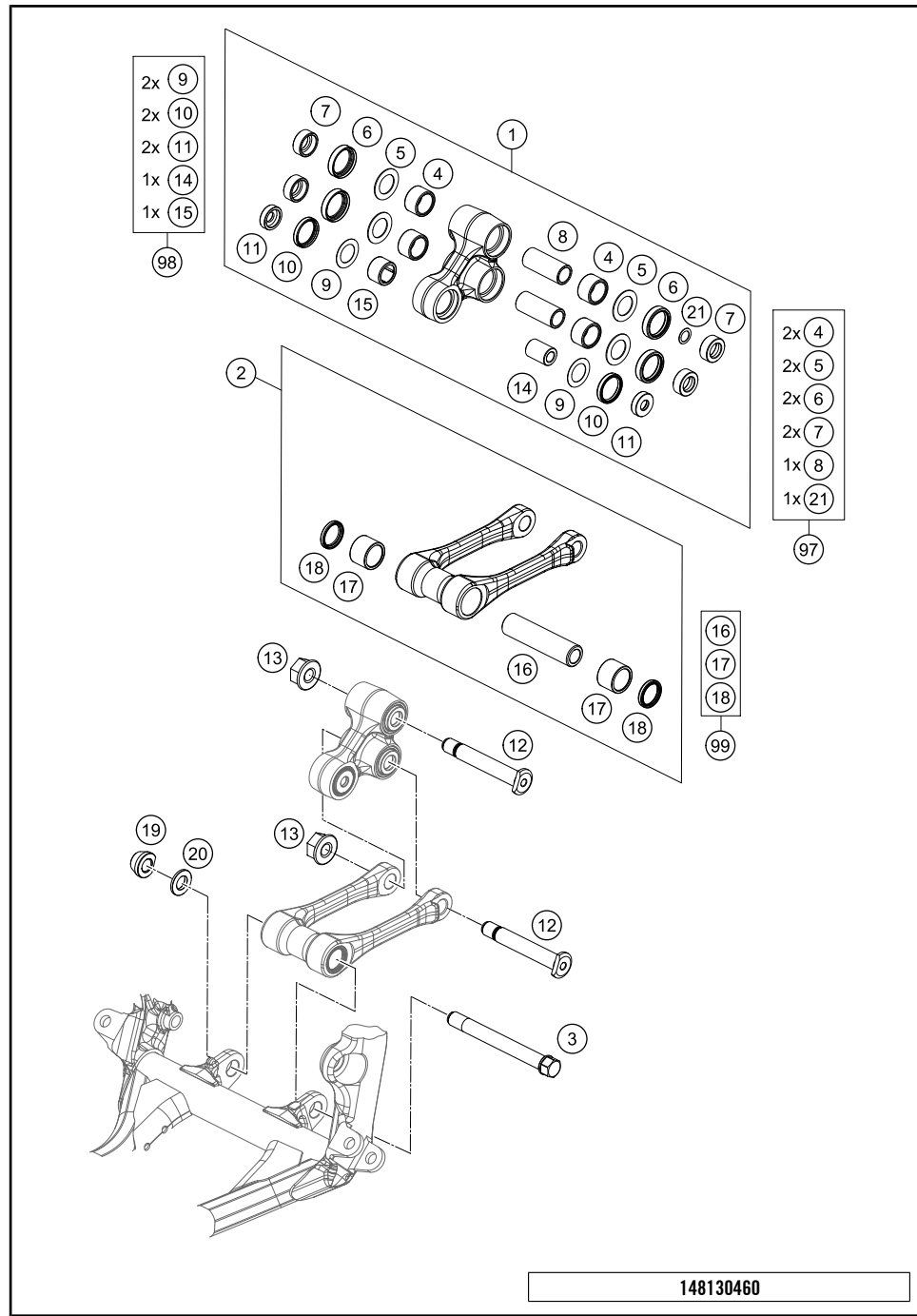


POS	PARTNUMBER	PARTNAME	PIECE
1	50180944S1	MONOSHOCK UPPER PART CPL.	1
2	R12012	REP. KIT BEAR./SEAL UP. 07	1
3	46180010	BUSH KGW 10X24	2
4	52000087	STICKER WP MONOSHOCK	1
5	36120151S	PLUG SCREW M5X6 CPL.	1
6	46811208	RUBBER CAP "DO NOT OPEN"	1
7	50180095	BLEED PLUG R 1/8	1
8*	50180213S10	DCC-COMPR.DAMP.CONTROL CPL. 07	1
9	50180218	O-RING 25X1,5 VITON	1
10*	50180938SA	ADJUSTING NUT PLASTIC CPL.	1
11*	50180824S1	SPRING PLATE KIT	1
12	91210101S	SPRING 260 48 N/MM	x
12	91210102S	SPRING 260 51 N/MM	x
12	91210103S	SPRING 260 54 N/MM	x
12	91210104S	SPRING 260 57 N/MM	x
12	91210105S	SPRING 260 60 N/MM	x
13	50180603SA	ADAPTER D50 H28 CPL.	1
14	50180780	REBOUND SPRING	1
15	50180798	REBOUND RUBBER	1
16	50180800	SPRING RING	1
17	50180605S	SEAL D18X30X5 08	1
18	50180604	SHIM D29,75 X D19 X T0,4 08	1
19	46180119	DU-BUSH 18X20X12	1
20	50180103	O-RING 41X5	1
21	50180606	DUST SEAL 1828 08	1
22	50180141	PISTON ROD NUT M16X1	1
23	50180836	REBOUND DISC 16X34 T2 H0	1
24	50180786E	PISTON D50	1
25	50180801	REBOUND DISC D16X43 H8	1
26	50180126	CIRCLIP 53X1,75	1
27	50180626	RESERVOIR CAP D=50 H=10 09	1
28	50181077	BUMP RUBBER	1
29	50180773SA1	MONOSHOCK BOTTOM PART CPL.	1
30*	46180522S1	TAP ADJ. REBOUND	1
31	46811205	ADAPTOR-BUSH M10x1,50, D=15	1
98	50180751S1	SHOCK ABSORBER FLUID 5 LT	1
99	R12022	REPAIR KIT	1

168130430

C168130430

* NEW PART X ON DEMAND



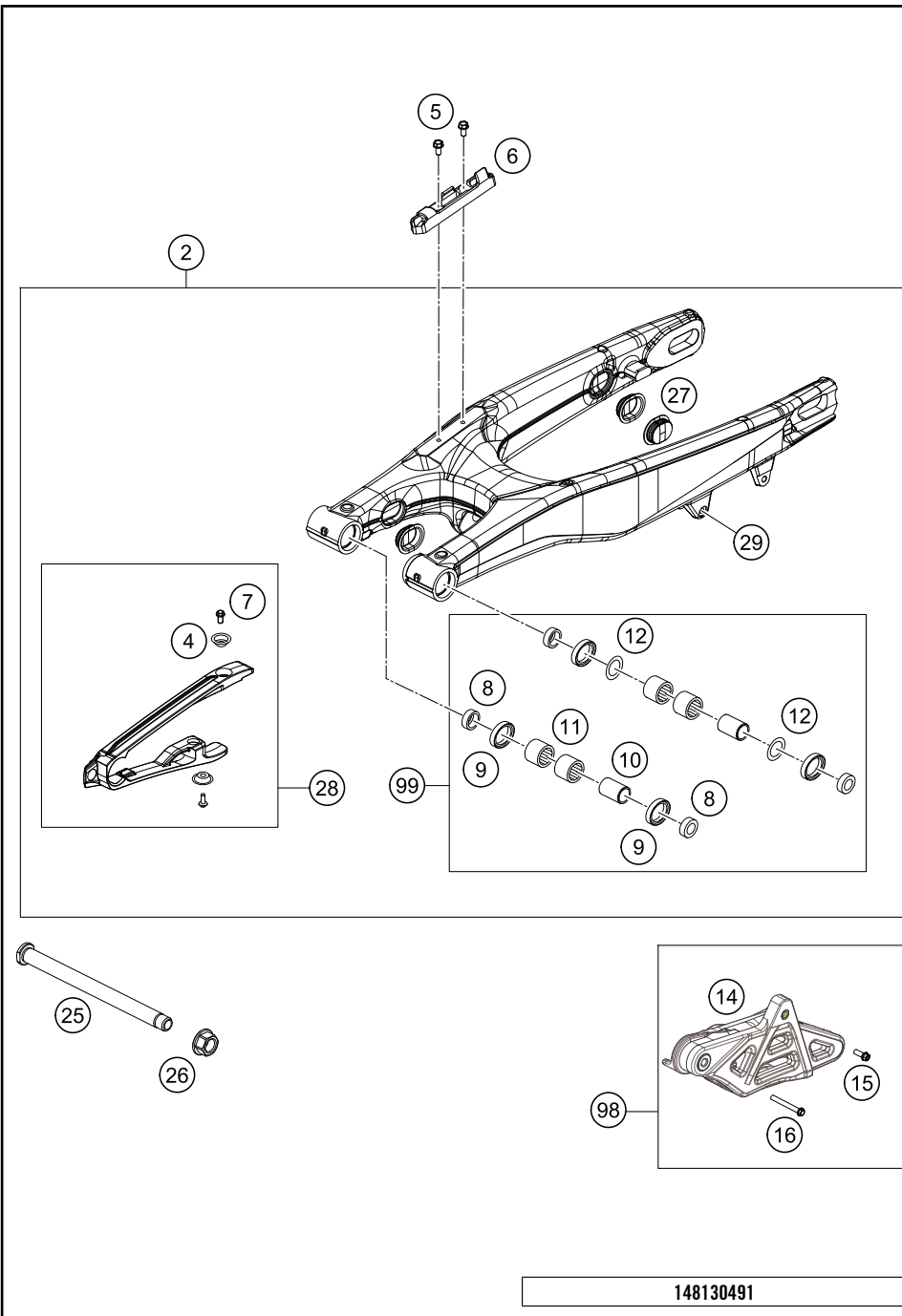
148130460

POS	PARTNUMBER	PARTNAME	PIECE
1	7720408014401	TRIANGLE LEVER CPL. SX 2013	1
2	7720408304401	PULL ROD CPL.	1
3	77404084000	BOLT TIE-ROD BEARING M14	1
4	54603097000	NEEDLE BUSH HK 2016	4
5	59033080000	SHIM 20X32X1	4
6	0760253270	SHAFT SEAL RING 25X32X7	4
7	77204080130	BUCKET SHAFT SEAL RING 25X11	4
8	54603081000	BUSHING SLEEVE 15 X 20 X 48	2
9	50180604	SHIM D29,75 X D19 X T0,4 08	2
10	0760243050	SHAFT SEAL RING 24X30X5	2
11	77204080020	BUCKET FOR SHAFT SEAL RING	2
12	77204085000	BOLT FOR CANTILEVER M14	2
13	77204087000	HEX NUT M14X1.5 SW17	2
14	77204080010	BEARING SLEEVE 10X18X25,5	1
15	0618182416	NEEDLE BUSH HN1816 RS 18/24/16	1
16	77204084010	BEARING SLEEVE	1
17	0618222820	NEEDLE BEARING HK2220 22X28X20	2
18	0760222841	SHAFT SEAL RING G22x28x4	2
19*	77404084120	HEX NUT M14X1.5 SW17	1
20	77404084010	WASHER TIE-ROD BEARING M14	1
21	54603090010	STEEL WASHER 15,2X19X0,1	x
21	54603090020	STEEL WASHER 15,2X19X0,2	x
21	54603090030	STEEL WASHER 15,2X19X0,3	x
97	77204080110	TRIANGLE LEVER REP. KIT REAR	x
98	77204080090	TRIANGLE LEVER REP. KIT FRONT	x
99	77204083010	PULL ROD REP. KIT SX/SX-F	x

C168130460

* NEW PART

X ON DEMAND



POS	PARTNUMBER	PARTNAME	PIECE
2	77204030044	SWINGARM CPL. 11	1
4	77304066050	BUSHING F. CHAIN SLIDING PR.07	2
5	0009050106	EJOT SPIRAL SCREW SF M5X10-K	2
6	76504042000	BRAKE LINE GUIDE 08	1
7	59009062013	SPECIAL SCREW M6X13 WS=8 10.9	2
8	54804034000	BUCKET F. SHAFT SEAL RING 03	4
9	0760253270	SHAFT SEAL RING 25X32X7	4
10	54804032000	BUSHING SLEEVE F. SWING ARM 03	2
11	58033097000	NEEDLE BEARING HK 2216	4
12	54603036000	STOP DISK 22,2X31,7X1	2
14	78104070100	CHAIN GUIDE EXC	1
15	59009062019	SPECIAL SCREW M6X19 WS=8 10.9	1
16	0025060456	HH COLLAR SCREW M6X45 TX30	1
25	77304037000	SWINGARM BOLT M16X1,5 07	1
26	54804038000	SELF LOCK.NUT M16X1,5 WS=19 03	1
27	77204041000	CLOSING COVER	4
28	77204066010	CHAIN GUARD CPL. 11-15	1
29	54603055051	PRESS IN NUT M6 STEEL ZINC	1
98	78104070010	CHAIN GUIDE KIT EXC 14-15	x
99	54804230210	SWINGARM REPAIR KIT 05-15	x

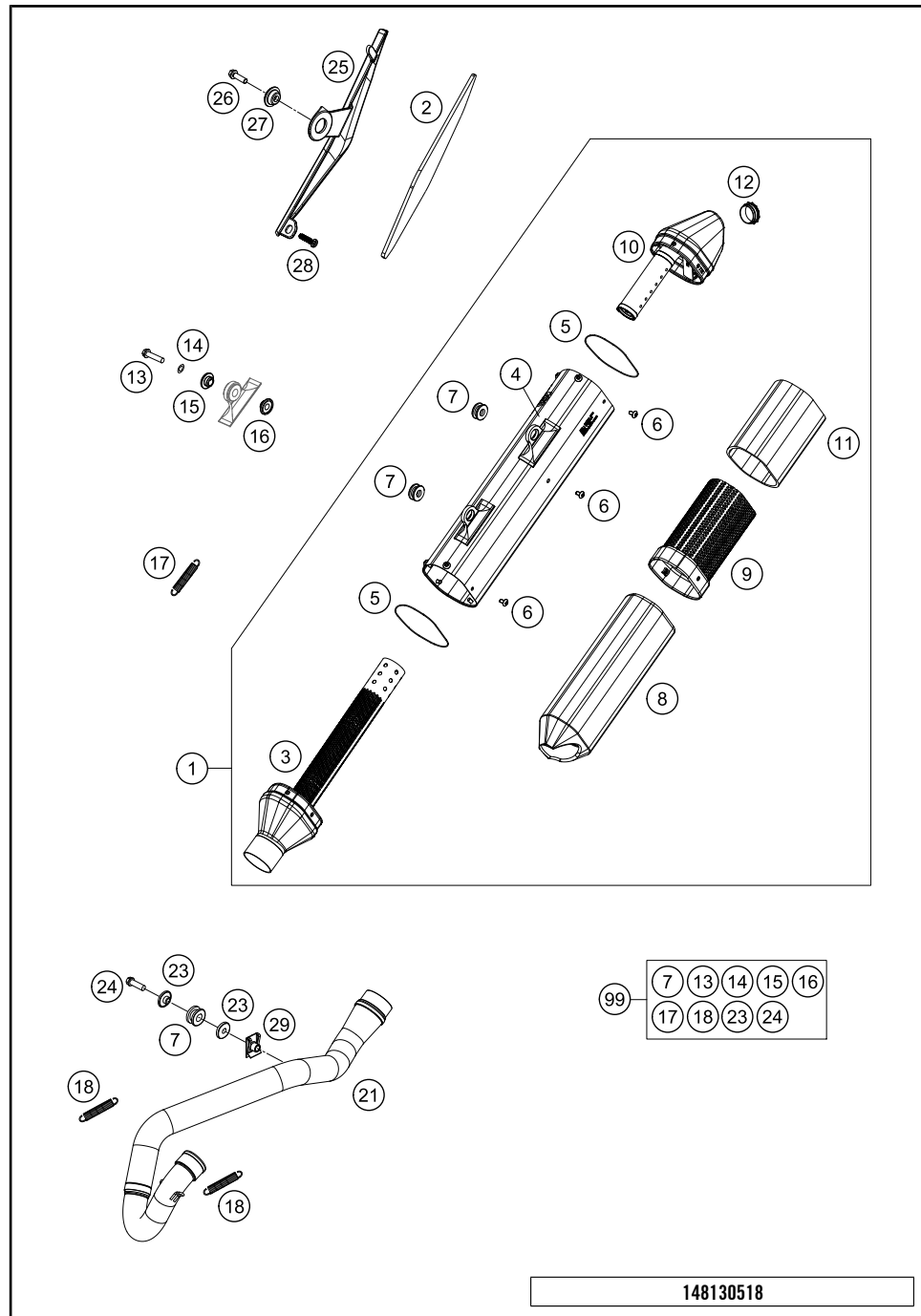
148130491

C148130496

* NEW PART X ON DEMAND

EXHAUST SYSTEM

FE 250 US 2016

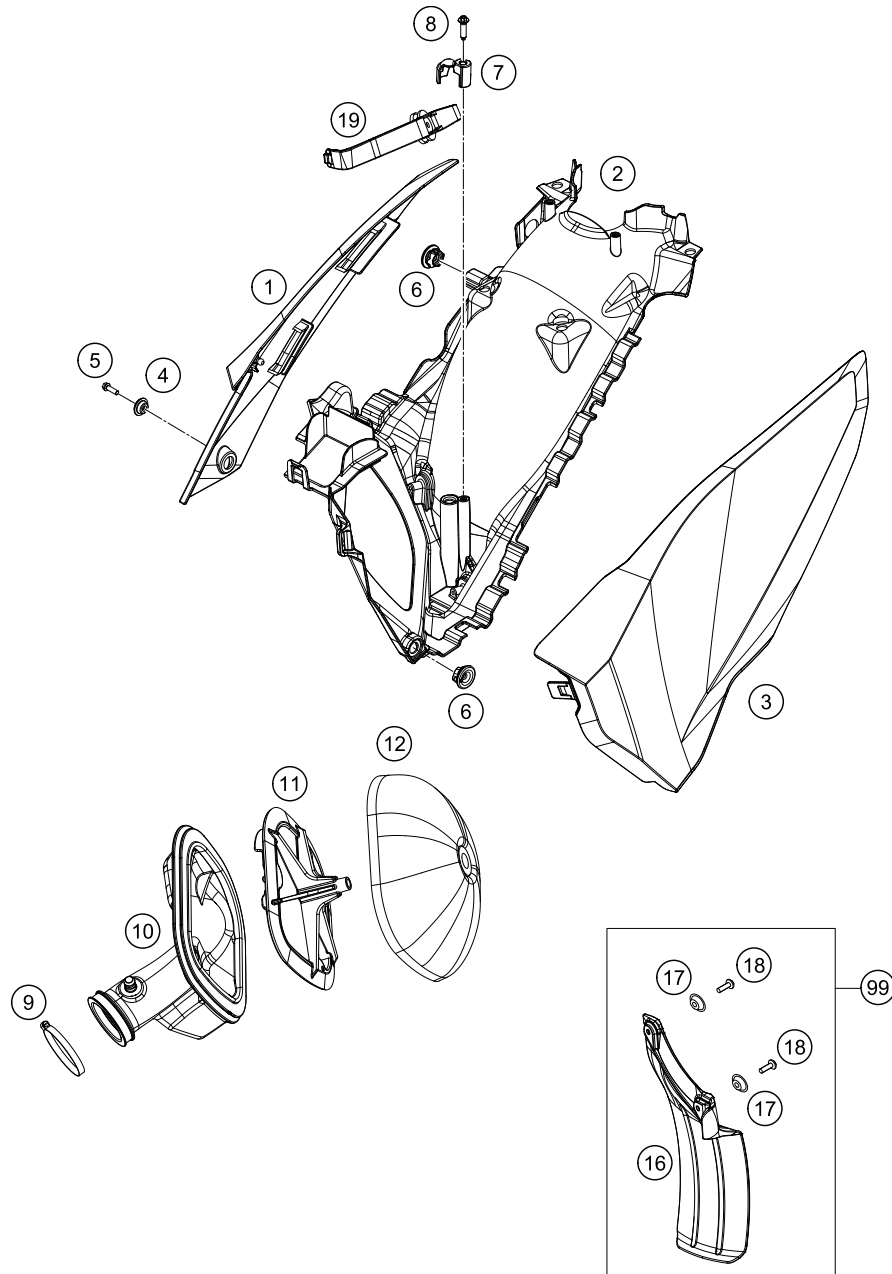


POS	PARTNUMBER	PARTNAME	PIECE
1	81305582000	SILENCER 250-501 FE USA	1
2	81305011050	THERMAL PROTECTION FOIL	1
3	78105081050	CONNECTING CAP	1
4	81305582080	SILENCER HOUSING FE USA	1
5	0770740015	O-RING 74,00X1,50 FKM 75SH	2
6	78105081010	SCREW TORX M5X10	12
7	77205068000	DAMP. COMPON. BLACK	3
8	78105078400	ROCKWOOL PREFOMED	1
9	78105081040	INSERT SILENCER	1
10	78105082060	SILENCER CAP EXC USA	1
11	78105078070	STUFFING YARN REAR	1
12	77005081055	SIL. ELEMENT EXC-F 07	1
13	0025060306	HH COLLAR SCREW M6X30 TX30	2
14	0137060003	SPRING WASHER DIN0137-B 6	2
15	77205169000	BUSHING 7.5x12x28x8.3 11	2
16	81305069000	BUSHING 7,5X12X20	2
17	50305116000	TEN.SPRING L=75MM EY.MOVEABLE	1
18	50305016000	TEN.SPRING L=62MM EY.MOVEABLE	2
21	77705109000	EXHAUST PIPE 250	1
23	59405069000	BUSHING FOR EXHAUST SUPPORT 03	2
24	0025080256	HH COLLAR SCREW M8X25 TX40	1
25	8130501100030	HEAT SHIELD BLACK	1
26	0025060206	HH COLLAR SCREW M6X20 TX30	1
27	77308013010	COLLAR BUSH. F.REAR FENDER 07	1
28	0081050121	SCREW FOR PLASTIC K50X12 T20	1
29	54603048000	RANGE CHANGE METAL NUT M8	1
99	00050000817	EXHAUST PARTS KIT FE 13-14	x

148130518

C148130523

* NEW PART X ON DEMAND



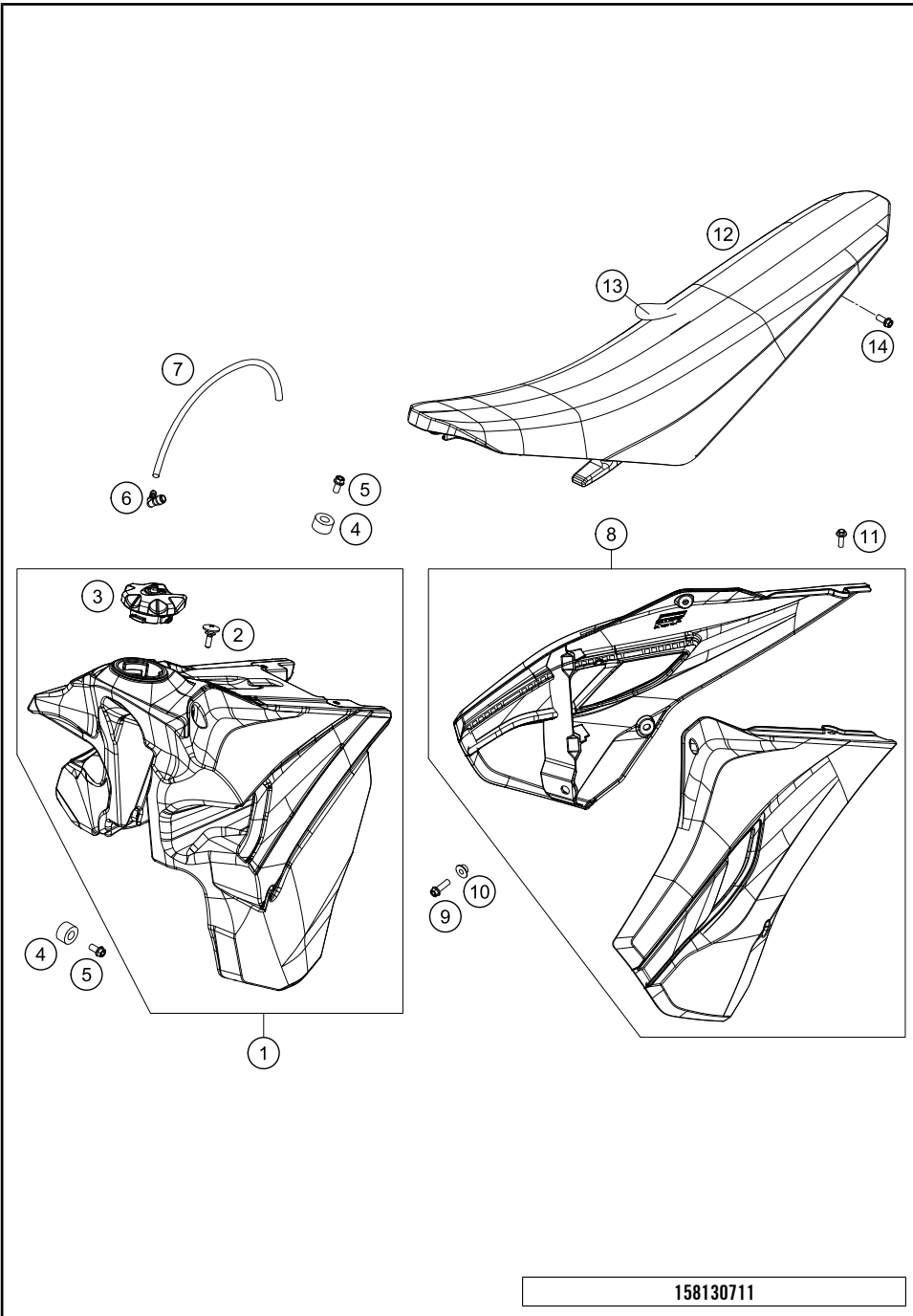
POS	PARTNUMBER	PARTNAME	PIECE
1*	8130600400028F	AIRBOX COVER R/S TE/FE 16 WITH DECAL	1
2	8130610130030	AIR BOX PART	1
3*	8130600300028F	AIRBOX COVER L/S TE/FE 16 WITH DECAL	1
4	77308013010	COLLAR BUSH. F.REAR FENDER 07	1
5	0025060206	HH COLLAR SCREW M6X20 TX30	1
6	47106003160	QUICK CONNECTOR CLUTCH	2
7	81306001010	FIXING CAP	1
8	0017060255	EJOT PT SCREW K60X25-Z SW6	1
9	78006027000	HOSE CLAMP 45-65MM	1
10	77506026000	AIRBOXRUBBER 350 EFI	1
11	77206016000	FILTER CARRIER 11	1
12	77206015000	AIR FILTER	1
16	77306010000	FENDER FOR FILTER BOX	1
17	77304066050	BUSHING F. CHAIN SLIDING PR.07	2
18	0017060206	SCREW F. PLASTIC K60X20AL SW6	2
19	81306017000	FILTER SUPPORT CPL.	1
99	77306010010	SPLASH PROTECTOR KIT SX/EXC	x

158130610

C168130611

* NEW PART

X ON DEMAND

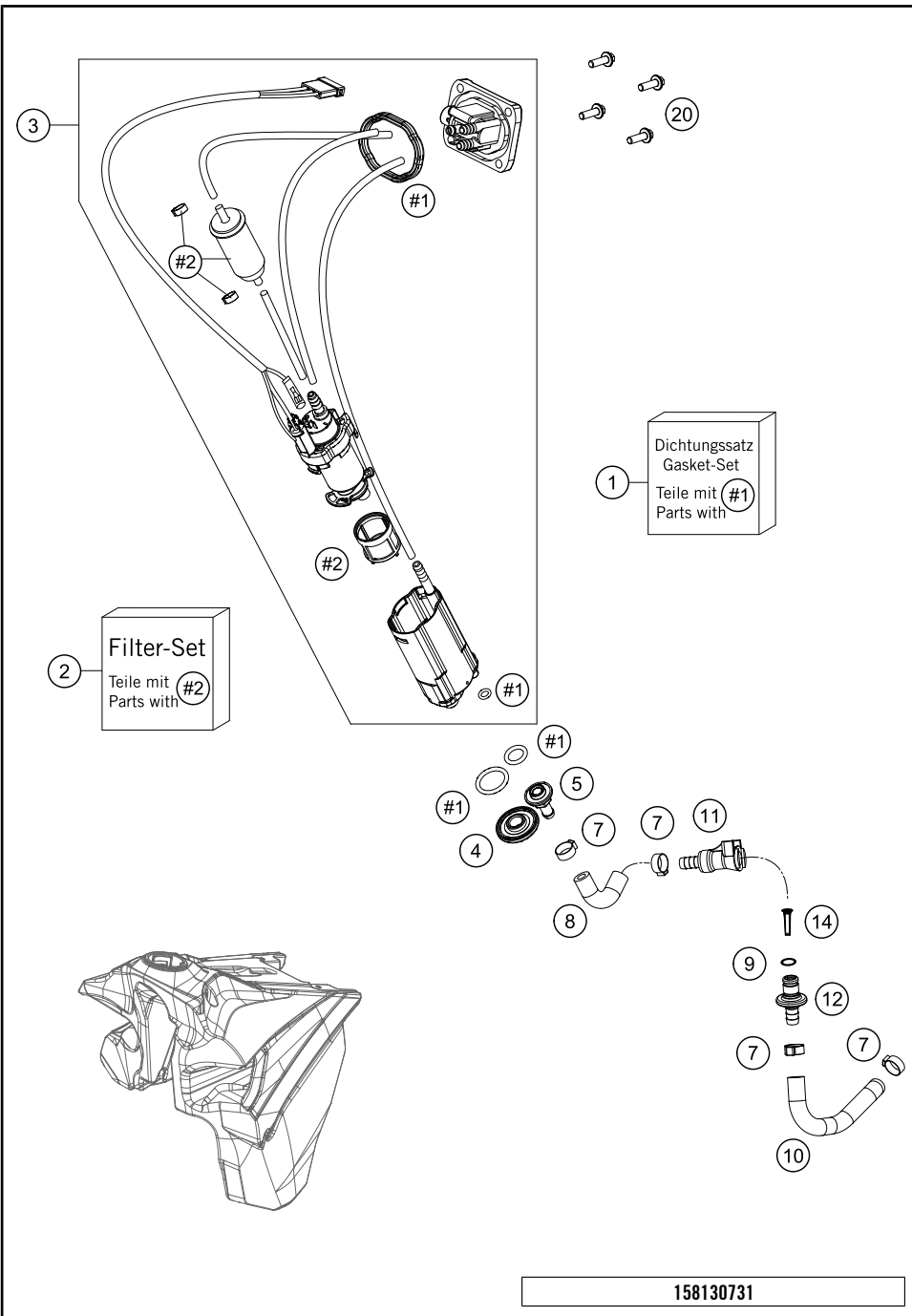


POS	PARTNUMBER	PARTNAME	PIECE
1	8130751314499	FUEL TANK CPL. 501 FE USA	1
2	77407011000	SCREW SEAT FIXING M5	1
3	7810700804455	TANK PLUG CPL. 14	1
4	50307014000	TANK ROLLER 12X26X12 '98	3
5	0026060136	COLLAR SCREW M6X13 ISA30	3
6	51030022000	ANGLE PIECE 90 DEGREE M10X1	1
7	78007000270	PVC-HOSE 5,6X10X270MM	1
8*	81308054000H1A	SPOILER KIT BLUE 2016 WITH DECAL	1
9	0025060206	HH COLLAR SCREW M6X20 TX30	2
10	50308052000	BUSH FOR SPOILER 6X11X16X5 MM	2
11	0014050123	HH COLLAR SCREW M 5X12 WS=6	6
12*	81307840300	SEAT BLUE 16	1
13*	81307840350	SEAT COVER TE/FE 16	1
14	0025060206	HH COLLAR SCREW M6X20 TX30	2

158130711

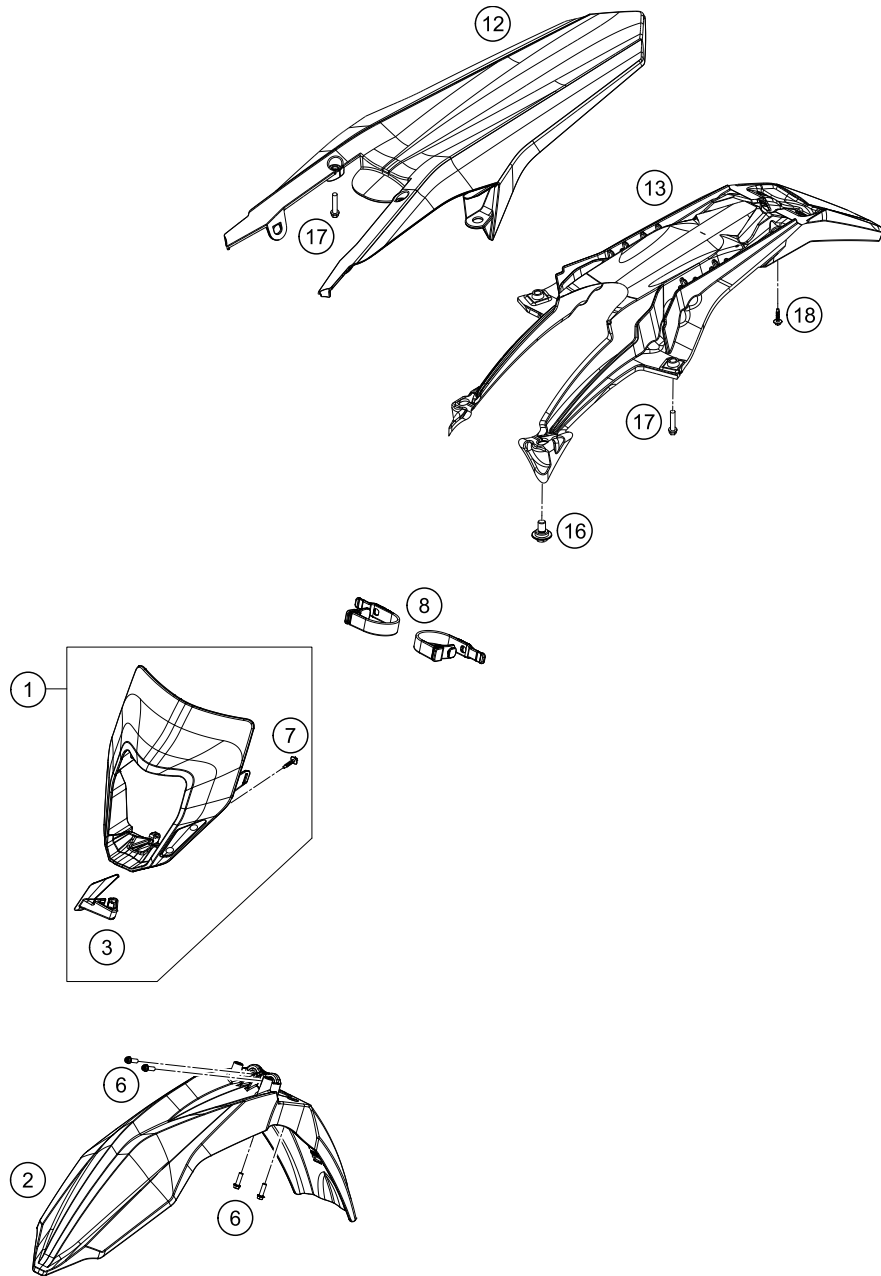
C168130712

* NEW PART X ON DEMAND



POS	PARTNUMBER	PARTNAME	PIECE
1	78107089000	GASKET KIT	1
2	81207090000	FILTER KIT	1
3	78107088000	FUEL PUMP CPL. EXC	1
4	78107088114	NUT FUEL PUMP M12	1
5	78107088117	CONNECTOR FUEL PUMP 2012	1
7	00050157706	VARIABLE ONE-EAR CLAMP 15,7MM	4
8	81307016000	FUEL HOSE TANK	1
9	58507012000	O-RING VITON F. PLUG CPC 05	1
10	77407016100	FUEL HOSE PREFORMED DKK	1
11	5850701050030	CLUTCH CPC BLACK 05	1
12	77707010000	CONNECTOR FUEL PUMP	1
14	78141013190	FUEL FILTER	1
20	0014050163	HH COLLAR SCREW M 5X16 WS=6	4

C158130732 * NEW PART X ON DEMAND



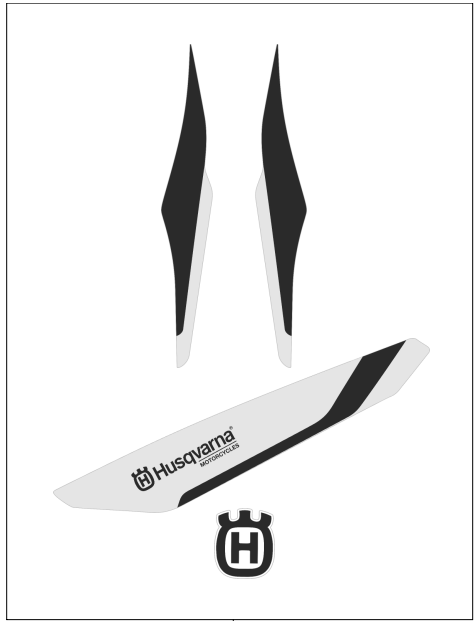
POS	PARTNUMBER	PARTNAME	PIECE
1	8130850104428	HEAD LIGHT MASK CPL.	1
2	8130811000028	FRONT FENDER WHITE 2014	1
3	8130852200030	BRAKE HOSE GUIDE BLACK	1
6	0025060206	HH COLLAR SCREW M6X20 TX30	4
7	0081050121	SCREW FOR PLASTIC K50X12 T20	2
8	78108003000	MASK RUBBER	1
12	8130801300028	REAR PART WHITE	1
13	81308015000	NUMBER PLATE CARRIER TOP	1
16	83008100020	SCREW M6X20X5,5	2
17	0025060256	HH COLLAR SCREW M6X25 TX30	2
18	0017060205	SCREW FOR PLASTIC K60X20 SW6	4

158130814

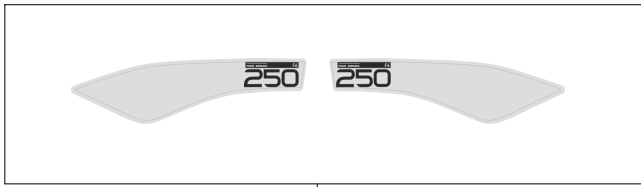
C168130812

* NEW PART

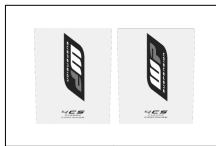
X ON DEMAND



1



2



3

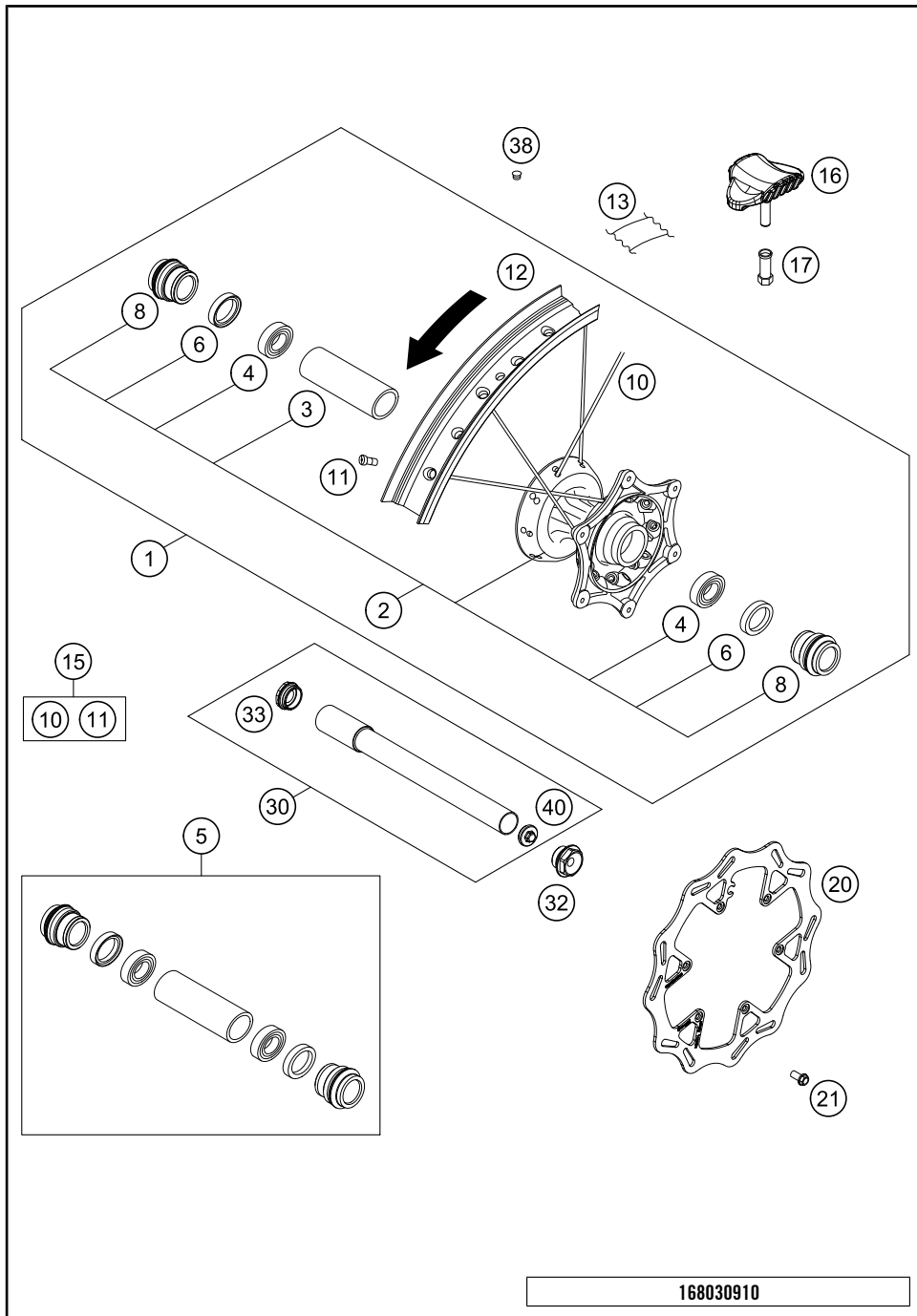
168130830

POS	PARTNUMBER	PARTNAME	PIECE
1*	80308799000	DECAL KIT TE/FE 2016	1
2*	80308798300	DISPLACEMENT STICKERS 250FE 16	1
3	52000115	STICKER FRONT FORK-SET WP"4CS"	1

C168130830

* NEW PART

X ON DEMAND



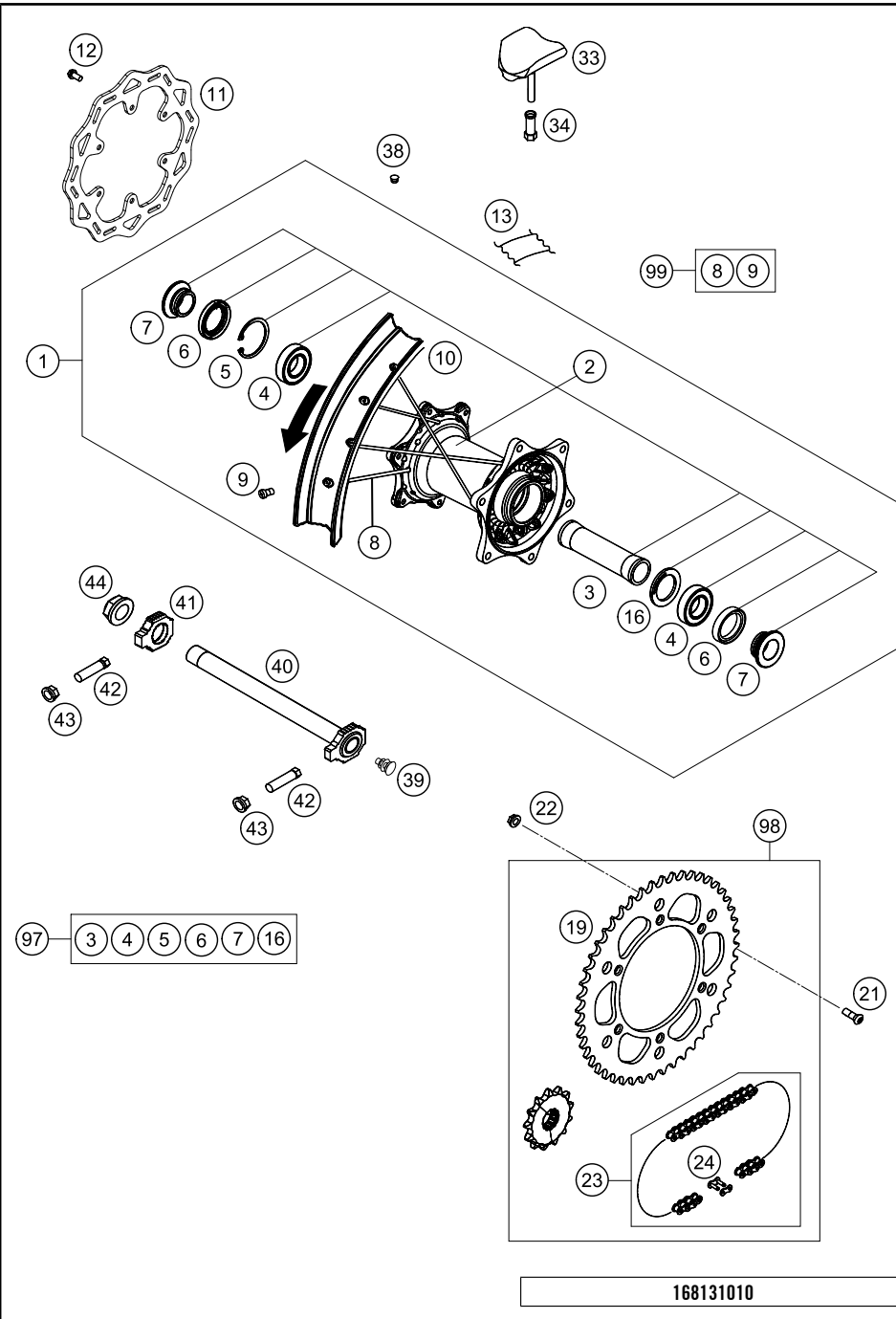
POS	PARTNUMBER	PARTNAME	PIECE
1*	2500900114430	FRONT WHEEL CPL.1,6X21" DID22MM	1
2*	25009010144	FRONT WHEEL HUB CPL.	1
3	54809011000	BEA.SPACERTUBE 35X2 L=79,4 03	1
4	0625069068	GR.BALL BEAR.6906 DDU2CG23S6NM	2
5	77709015000	FRONT WHEEL REP. KIT SX-F USA	1
6	0760354771	SHAFT SEAL RING 35X47X7 TC	2
8	77709012000	SPACER BUSHING F. FR. WHEEL	2
10	79009071226	SPOKE M4,5X226-21" 16	36
11	77109072000	SPOKE NIPPLE M4,5 AL 11	36
12	8120907010030	RIM FRONT 1,60X21" DID	1
13	50309073000	RIM BAND 21"	1
15	00050000977	SPOKE KIT FRONT	x
16	78109090000	RIM LOCK 1,60"	1
17	77110090050	NUT FOR WHEEL HOLDER	1
20*	25009060000	BRAKE DISC FRONT D=260MM	1
21	59009062013	SPECIAL SCREW M6X13 WS=8 10.9	6
30	77709081033	WHEEL SPIN.FR. CPL. D=22 15	1
32	70009082000	AXLESCREW M20X1.5; SW17	1
33	70009081050	PLUG BUSHING SW17 '12	1
38	55003135000	PLUG FOR RIM	x
40	7770908107055	AUXILIARY SCREW FRONT	1

168030910

C168030910

* NEW PART

X ON DEMAND



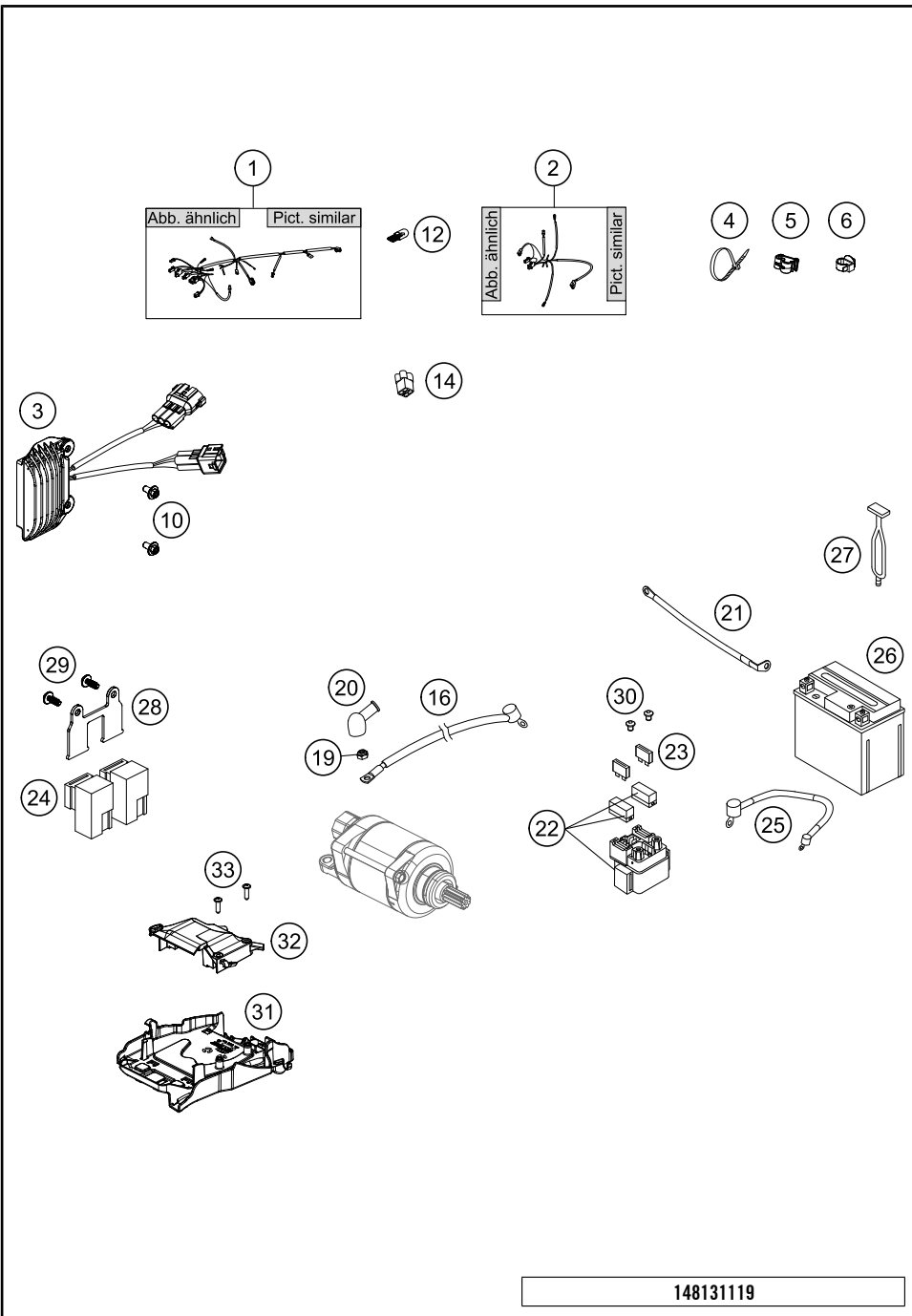
POS	PARTNUMBER	PARTNAME	PIECE
1*	2651000104430	REAR WHEEL CPL.2,15X18" DID 16	1
2*	26510010044	REAR WHEEL HUB CPL.	1
3*	77710011000	BEARING DISTANCE TUBE 121,5MM	1
4	0625060058	GR.BALL BEAR.6005 DDU2CG23S6NM	2
5	0472047175	CIRCLIP DIN0472-47X1,75	1
6	0760324771	SHAFT SEAL RING 32X47X7 BSL	2
7	78010016000	BUSHING FOR HUB 08	2
8*	79010071193	SPOKE M4,5X193- 18" 16	36
9	77109072000	SPOKE NIPPLE M4,5 AL 11	36
10	8121007010030	RIM 2,15X18" DID AL7 BLACK	1
11*	25010060000	BRAKE DISC REAR D=220MM	1
12	59009062013	SPECIAL SCREW M6X13 WS=8 10.9	6
13	50310073200	RIM BAND 18" AND 19"	1
16	77710015000	DISTANCE RING	1
19*	8131095104868	SPROCKET BLUE T-48	x
19*	8131095105068	SPROCKET BLUE T-50	x
19*	8131095105268	SPROCKET BLUE T-52	1
21	0019080266S	COUNTER-SUNK SCREW ISA45 M8X26	6
22	06923080003	HEXAGON NUT DIN EN1661 M8 SW13	6
23	78010167118	CHAIN DID 118 ROLLS	1
24	78010166000	CONNECTING LINK F. 78010167118	1
33	78110090000	RIM LOCK 2,15"	1
34	77110090050	NUT FOR WHEEL HOLDER	1
38	55003135000	PLUG FOR RIM	x
39	50210086000	COVERING CAP SFL16	1
40	77310085044	WHEEL SPINDLE RE. CPL.265MM 07	1
41	50310084000	CHAIN TENSIONER R/S 2000	1
42	50304040100	SCREW M10X1,25X50 WS=10	2
43	58414030000	HH COLLAR NUT M10X1,25 WS=13	2
44	50310099000	HEXAGON NUT M20X1,5 '98	1
97	78010015010	REAR WHEEL REP. KIT	x
98	00050002069	DRIVETRAIN KIT HQV 13T/52T	x
98	00050002070	DRIVETRAIN KIT HQV 14T/52T	x
99	00050000978	SPOKE KIT REAR	x

168131010

C168131010

* NEW PART

X ON DEMAND

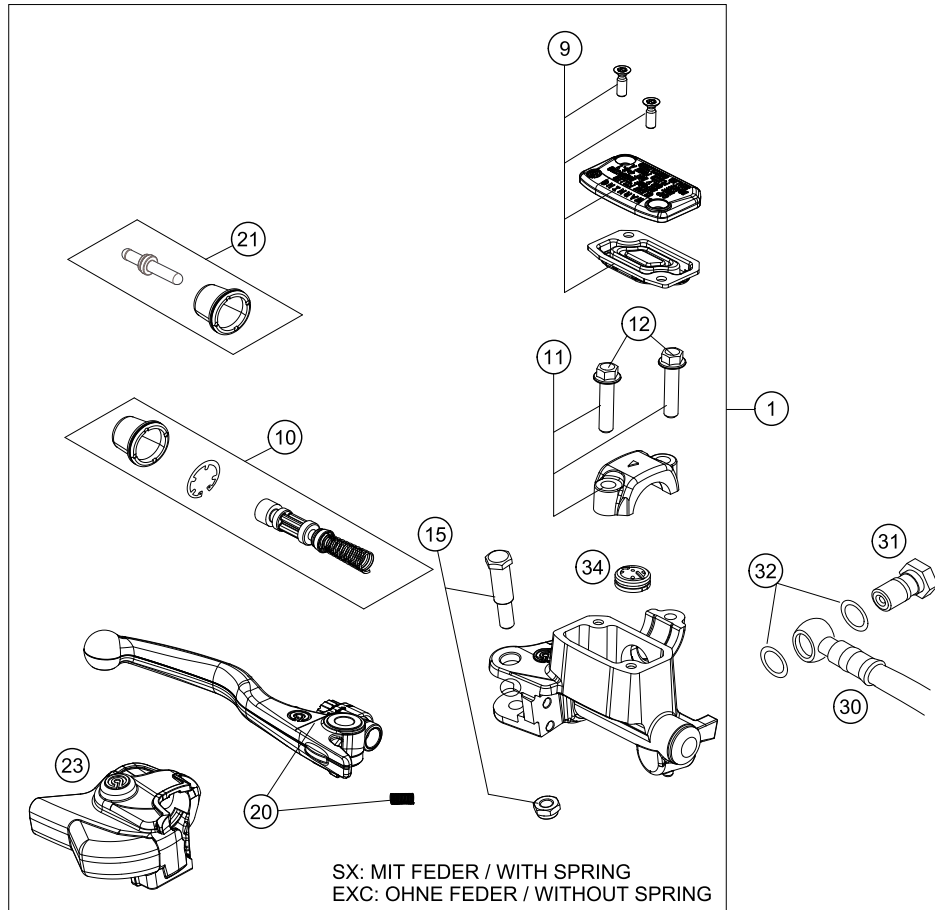


POS	PARTNUMBER	PARTNAME	PIECE
1	77711175033	WIRING HARNESS EFI 2014	1
2	77711079100	WIRING HARNESS LIGHT XC-W 14	1
3	78111034000	VOLTAGE REGULATOR	1
4	44011076140	CABLE TIE 140/2,5MM BLACK	x
4	44011076200	CABLE TIE 200/3,6MM BLACK	x
4	44011076305	CABLE TIE 300/4,8MM BLACK	x
5	83013026000	CABLE GUIDE	2
6	58111076000	CABLE SUPPORT KHS NR.150-47610	1
10	0023060123	COLLAR SCREW M6X12 TX	2
12	49111425200	BULB 12V 2,3W (W2X4,6D)	3
14	81211096000	DUMMY PLUG AN 4-PIN	1
16	81311059000	STARTER CABLE	1
19	0985060003	SELF LOCK. NUT DIN0985-M 6	1
20	77240099000	PROTECTION CAP F. STARTER ENG.	1
21	58411059100	STARTERCABLE 700 MM '97	1
22	76211058000	STARTER RELAY 07	1
23	58011109120	FUSE 20 A	2
24	61111057000	RELAY CM1A-R-12V-H80 07	2
25	81311059050	WIRING HARNESS BATTERY	1
26	58511053000	BATTERY 12V 4AH YTX5L-BS	1
27	50303018000	RUBBER L=145MM	2
28	81311037000	BRACKET POWERRELAIS	1
29	0081050121	SCREW FOR PLASTIC K50X12 T20	2
30	0902060083	AH OVAL SCREW ISO 7380 M 6X8	2
31	77711094000	ELECTRIC BOX	1
32	77711094050	ECU SPLASH PROTECT.	1
33	0081050181	SCREW FOR PLASTIC K50X18 T20	2

148131119

C148131122

* NEW PART X ON DEMAND



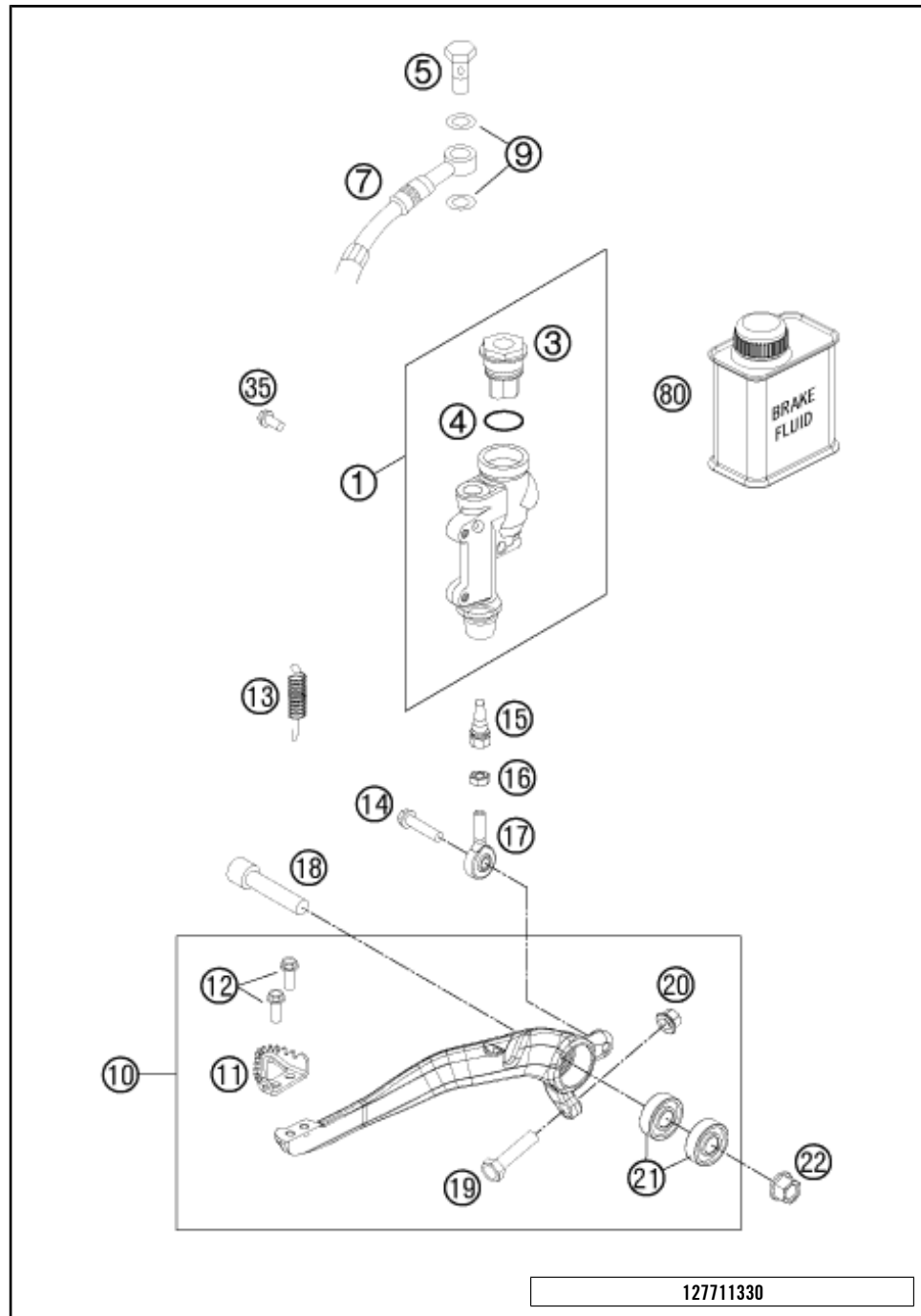
POS	PARTNUMBER	PARTNAME	PIECE
1	77713001044	HAND BREAK CYLIND. CPL. X 2014	1
9	77713003000	HAND BRAKE CYL. COVER	1
10	77713008000	REPAIR KIT PISTON SX 2014	1
11	54802005100	CLAMP CPL. 06	1
12	0025060256	HH COLLAR SCREW M6X25 TX30	2
15	77713006000	LEVER SCREW	1
20	77713002000	HAND BRAKE LEVER +SPRING SX 14 SX WITH SPRING, EXC WITHOUT SP	1
21	77713007000	PUSH ROD CPL. SX 2014	1
23	77713004000	PROTECTION CAP HAND BRAKE CYL.	1
30	59013011000	BRAKEHO. FRONT 1300MM 2000	1
31	54813020100	HOLLOW SCREW BLACK M10X1X19	1
32	0603100141	COPPER GASKET DIN7603-10X14X1	2
34	54802051000	VALVE	1
80	00062030000	BRAKE FLUID DOT5.1 0,25L	1

147781310

C148131311

* NEW PART

X ON DEMAND



POS	PARTNUMBER	PARTNAME	PIECE
1	77013060044	REAR BRAKE CYLINDER CPL.SX 09	1
3	54813062100	REAR BRAKE CYL. COVER CPL. 04	1
4	54813063000	FOOT-BRAKE CYL. GASKET SX 03	1
5	54813020100	HOLLOW SCREW BLACK M10X1X19	1
7	77213070100	BRAKE HOSE REAR	1
9	0603100141	COPPER GASKET DIN7603-10X14X1	2
10	77213050044	FOOT BRAKE LEVER CPL.	1
11	54813051000	STEP PLATE FOR BRAKE LEVER	1
12	0025050126	HH COLLAR SCREW M5X12 TX30	2
13	54603062100	RETURN SPRING FOR BRAKE LEVER	1
14	0025060206S	HH COLLAR SCREW M6X20 TX30	1
15	54813056000	PUSH ROD L=28MM 03	1
16	0985060003	SELF LOCK. NUT DIN0985-M 6	1
17	54813055000	SWIVEL HEAD KA6 03	1
18	0032100406S	AH-COLLAR SCREW M10X40 ISA45	1
19	59001037000	SPECIAL SCREW M8X26 WS=10	1
20	46030045000	COLLAR NUT M8 WS=10	1
21	0625060002	BALL BEARING SKF 6000-2RS1	2
22	54630044000	COLLAR NUT M10 WS=13	1
35	0025060126	HH COLLAR SCREW M6X12 TX30	2
80	00062030000	BRAKE FLUID DOT5.1 0,25L	1

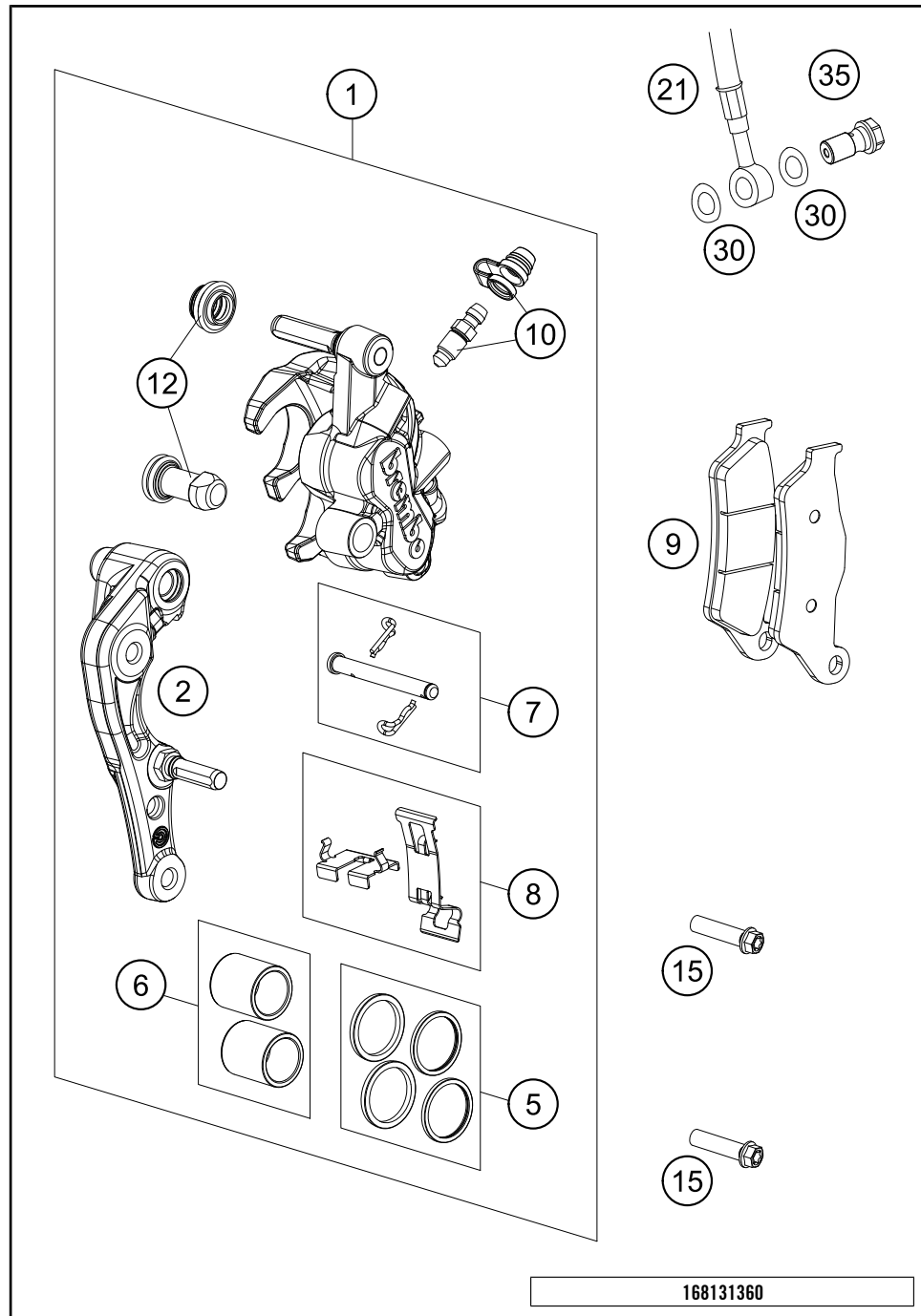
127711330

C168131331

* NEW PART X ON DEMAND

BRAKE CALIPER FRONT

FE 250 US 2016

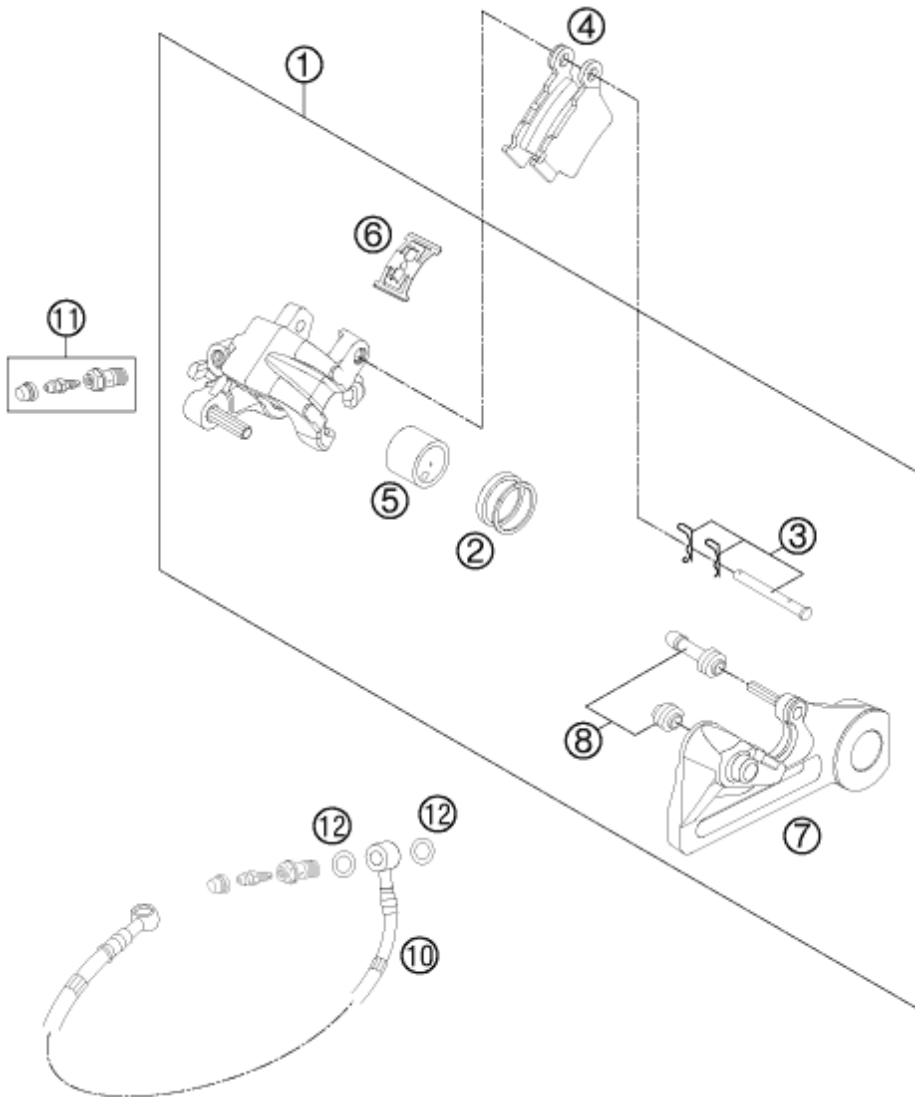


POS	PARTNUMBER	PARTNAME	PIECE
1	7701301500101	CALIPER NAT. WITHOUT PADS	1
2	77013014000	BRAKE CALIPER SUPPORT FRONT 09	1
5	77013021000	REP. KIT SEALS 24MM	1
6	77013019000	REP. KIT PISTON 24MM	1
7	77013017000	BOLT CPL. 09	1
8	77013018000	RETAINING PLATE SET BREMBO	1
9	77713030000	BRAKE PADS FRONT	1
10	61013020100	BLEEDER SCREW WITH CAP	1
12	54613218000	CUP SET SHORT	1
15*	0025080306S	HH COLLAR SCREW M8X30 TX40	2
21	59013011000	BRAKEHO. FRONT 1300MM 2000	1
30	0603100141	COPPER GASKET DIN7603-10X14X1	2
35	54813020100	HOLLOW SCREW BLACK M10X1X19	1

168131360

C168131360

* NEW PART X ON DEMAND



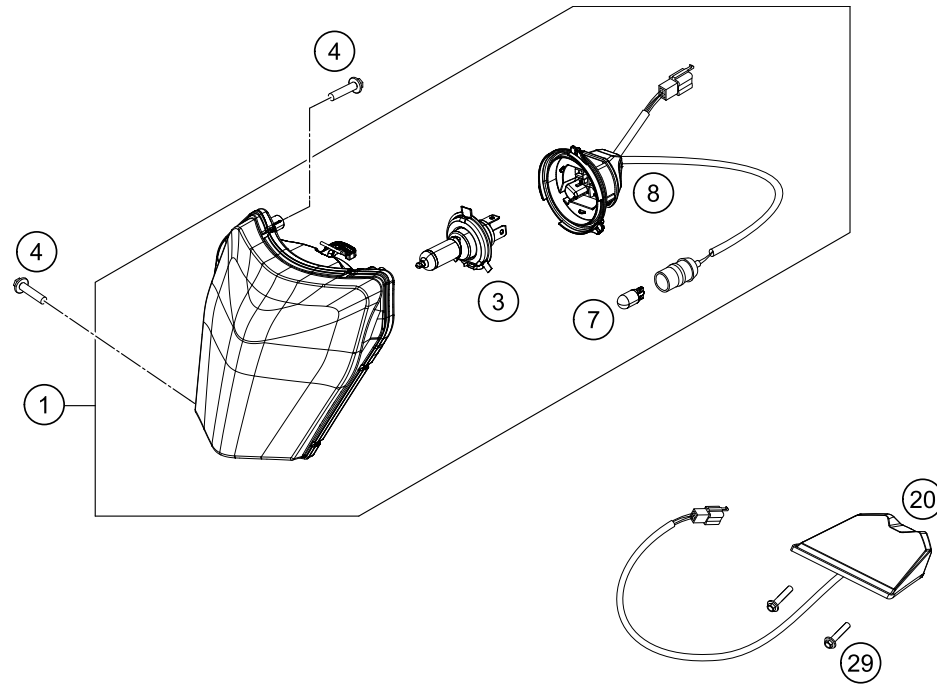
POS	PARTNUMBER	PARTNAME	PIECE
1	54813080101	BRAKE CAL. RE. - WITHOUT PADS	1
2	50313081200	REPAIR KIT SEALING RINGS 26MM	1
3	54813082000	BOLT SET FOR BRAKE CALIPER 03	1
4	54813090300	BRAKE PAD SET REAR TOYO	1
5	77713083000	BRAKE PISTON 26MM 2013	1
6	54813018000	RETAINING SPRING SET 2003	1
7	54813075000	BRAKE CALIPER SUPPORT REAR	1
8	54613218000	CUP SET SHORT	1
10	77213070100	BRAKE HOSE REAR	1
11	62513020000	BLEEDER SCREW CPL. 05	1
12	0603100141	COPPER GASKET DIN7603-10X14X1	2

127811390

C168131390

* NEW PART

X ON DEMAND



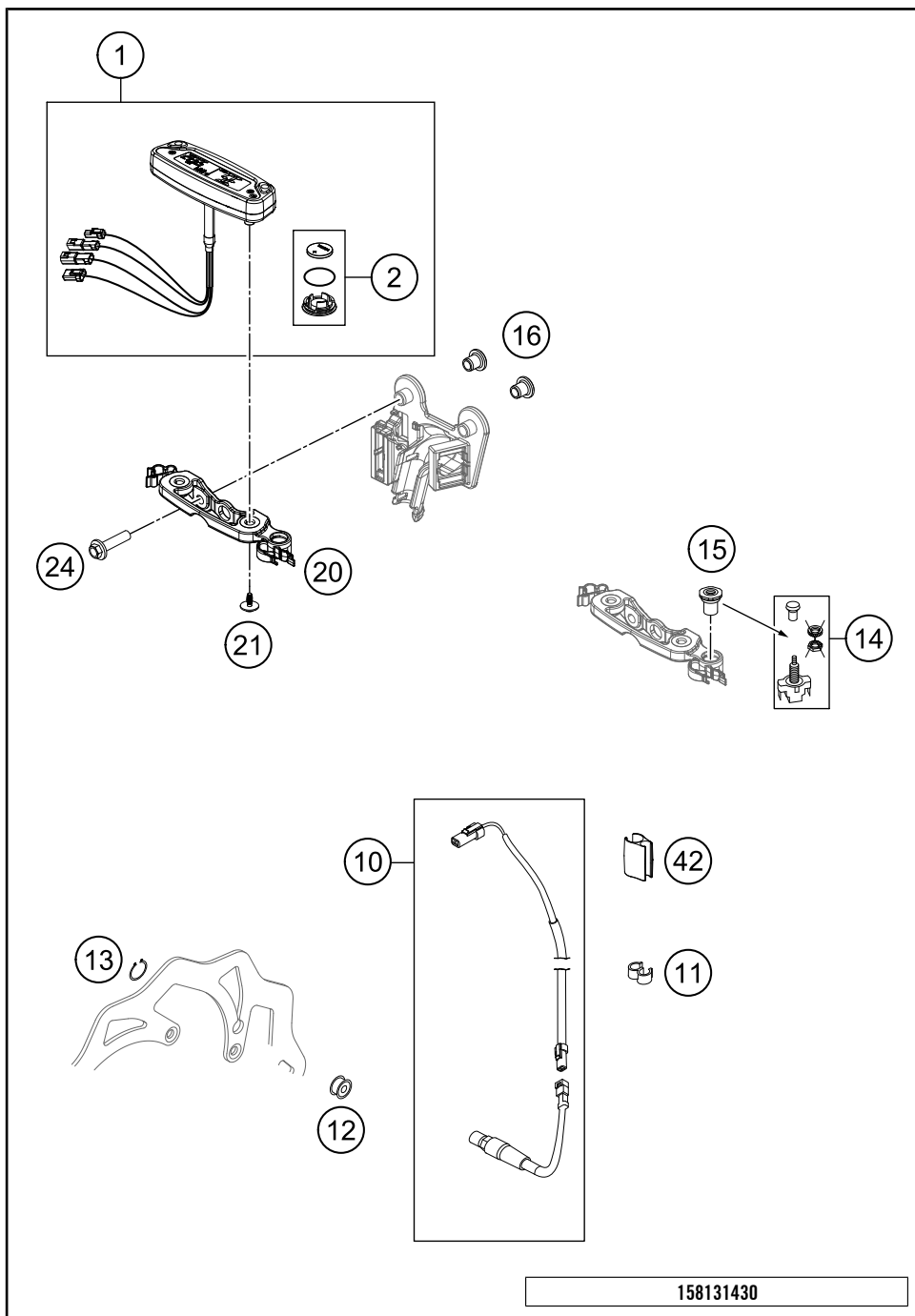
POS	PARTNUMBER	PARTNAME	PIECE
1	81314001000	HEAD LAMP	1
3	54611038012	BULB HS1 12V 35/35W WHITE	1
4	0081050181	SCREW FOR PLASTIC K50X18 T20	3
7	49011435100	BULB 12V 5W (W2,1X9,5D) PHIL.	1
8	78114001050	LAMP BRACKET CPL. 2014	1
20	78114040000	REAR LIGHT	1
29	0017060255	EJOT PT SCREW K60X25-Z SW6	2

158131410

C168131411

* NEW PART

X ON DEMAND



POS	PARTNUMBER	PARTNAME	PIECE
1	81314069100	SPEEDOMETER DIGITAL KM/H 21"	1
2	81314069010	BATTERY COVER F. SPEEDOMETER	1
10	81314068000	CABLE FOR SPEEDOMETER	1
11	60111094000	CLIP 5/7 MM 06	2
12	81314069050	MAGNET FOR SPEEDOMETER	1
13	0471009104	CIRCLIP DIN0471- 9X1 INOX	1
14	55011599000	PULL SWITCH LOOSE	1
15	54814060050	SPEC. NUT F. PULL SWITCH WS=17	1
16	59030060050	BUSHING F. SPROCKET COVER RAC.	2
20	77714060000	SPEEDOMETER BRACKET EXC/XCW 14	1
21	0081645121	EJOT DELTA PT SCREW 45X12-Z	2
24	0025060206	HH COLLAR SCREW M6X20 TX30	2
42	54813026000	CABLE SUPPORT 10/6MM 06	2

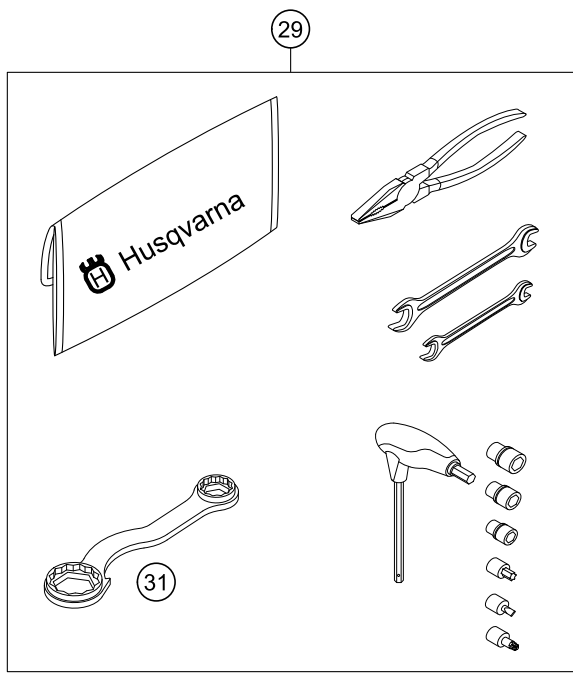
158131430

C168131431

* NEW PART X ON DEMAND

0
OHNE ABBILDUNG
WITHOUT ILLUSTRATION

1
TECHNISCHE DOKUMENTATION
TECHNICAL DOCUMENTATION
DOCUMENTACION TECNICA
DOCUMENTATION TECHNIQUE
NOTE TECNICHE



POS	PARTNUMBER	PARTNAME	PIECE
0	HQV0110	HUSQVARNA BALLPOINT PEN	1
0	78003040033	FOOTREST L/S + R/S CPL. 09	1
0	0025050126	HH COLLAR SCREW M5X12 TX30	2
0	58411098100	CONTACT WASHER M6 VSV-K6	2
0	77229072000	SPARK PLUG WRENCH	1
0	58511053000	BATTERY 12V 4AH YTX5L-BS	1
0	81212016100	WASH CAP SET	1
0	77503190000	SKID PLATE CPL.	1
0	52000115	STICKER FRONT FORK-SET WP"4CS"	1
0	80312002000	DOCUMENTS BAG HUSQVARNA	1
0	00063004202	PRINT LABEL 60X51 MM	1
0	2500207900028	HANDGUARD CPL. LE.+RI. WHITE	1
0	80302602044	BAR PAD CPL.	1
0	78141013190	FUEL FILTER	3
0	HQV0120	HUSQVARNA NOTE-PAD	1
0	HQV0010US		1
0	HQV0009US		1
0	8130811003328B	FRONT FENDER W. DECAL 2016	1
0	0025060206	HH COLLAR SCREW M6X20 TX30	4
1	3402063EN	OWNERS MANUAL 250 FE 2016	1
29	80329899000	TOOL KIT	1
31	50329080100	WRENCH SW=17/21/27/32 B&F	1

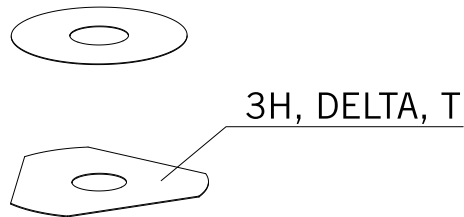
148132000

C168132003

* NEW PART X ON DEMAND



- ⑤ Ø 5 mm
- ⑥ Ø 6 mm
- ⑧ Ø 8 mm
- ⑩ Ø 10 mm
- ⑫ Ø 12 mm
- ⑭ Ø 14-14,5 mm
- ⑯ Ø 16 mm
- ⑳ Ø 20 mm
- ㉑ Ø 21 mm
- ㉒ Ø 22 mm
- ㉓ Ø 23 mm
- ㉔ Ø 24,5 mm
- ㉘ Ø 28,5 mm
- ㉚ Ø 32 mm
- ㉜ Ø 52 mm



POS	PARTNUMBER	PARTNAME	PIECE
5	44906890	WASHER 5X15X2	X
6	40540400	SHIM 6X12X0,1	X
6	40540401	SHIM 6X14X0,1	X
6	40540402	SHIM 6X16X0,1	X
6	40540403	SHIM 6X18X0,1	X
6	40540404	SHIM 6X12X0,15	X
6	40540405	SHIM 6X14X0,15	X
6	40540406	SHIM 6X16X0,15	X
6	40540407	SHIM 6X18X0,15	X
6	40540408	SHIM 6X12X0,2	X
6	40540409	SHIM 6X14X0,2	X
6	40540410	SHIM 6X16X0,2	X
6	40540411	SHIM 6X18X0,2	X
6	48600095	* SHIM 6X20X0,20	X
6	40540412	SHIM 6X12X0,25	X
6	40540413	SHIM 6X14X0,25	X
6	40540414	SHIM 6X16X0,25	X
6	40540415	SHIM 6X18X0,25	X
6	40540417	SHIM 6X8,5X0,10	X
6	40540418	SHIM 6X9X0,10	X
6	40540419	SHIM 6X9,5X0,10	X
6	40540423	SHIM 6X9,5X0,15	X
6	40540425	SHIM 6X8,5X0,20	X
6	40540426	SHIM 6X9X0,20	X
6	40540427	SHIM 6X9,5X0,20	X
6	40540447	SHIM 6X10X0,3	X
6	40540449	SHIM 6X9X0,3	X
6	40540450	SHIM 6X9,5X0,3	X
6	40540494	SHIM 6X18X0,4	X
6	40540774	SHIM 6X18X0,1 DELTA	X
6	40541383	SHIM 6X11X0,1	X
6	40541391	SHIM 6X11X0,3	X
6	40541402	SHIM 6X11X0,2	X
6	40541403	SHIM 6X10X0,20	X
6	40541404	SHIM 6X10X0,1	X
6	40541405	SHIM 6X10X0,15	X
6	40541406	SHIM 6X11X0,15	X
6	40541408	SHIM 6X8,0X0,30	X

080000190

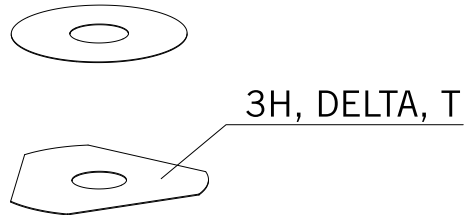
C130009090

* NEW PART

X ON DEMAND



- ⑤ Ø 5 mm
- ⑥ Ø 6 mm
- ⑧ Ø 8 mm
- ⑩ Ø 10 mm
- ⑫ Ø 12 mm
- ⑭ Ø 14-14,5 mm
- ⑯ Ø 16 mm
- ⑳ Ø 20 mm
- ㉑ Ø 21 mm
- ㉒ Ø 22 mm
- ㉓ Ø 23 mm
- ㉔ Ø 24,5 mm
- ㉘ Ø 28,5 mm
- ㉚ Ø 32 mm
- ㉞ Ø 52 mm



POS	PARTNUMBER	PARTNAME	PIECE
6	40541414	SHIM 6X8,0X0,10	X
6	40541416	SHIM 6X8X0,3	X
6	40541417	SHIM 6X11X0,25	X
6	48600102	* SHIM 6X24X0,25	X
6	48600063	SHIM 6X24X0,1	X
6	48600064	SHIM 6X22X0,1	X
6	48600065	SHIM 6X20X0,1	X
6	48600069	SHIM 6X20X0,15	X
6	48600100	SHIM 6X24X0,15	X
6	48600116	SHIM 6X24X0,1 DELTA	X
6	48600139	SHIM 6X22X0,1 DELTA	X
6	48600217	BACKPLATE 6X10X0,25	X
6	48600325	SHIM 6X13X0,1	X
6	48600327	SHIM 6X15X0,1	X
6	48600329	SHIM 6X17X0,1	X
6	48600331	SHIM 6X19X0,1	X
6	48600096	* SHIM 6X20X0,25	X
6	48600097	SHIM 6X22X0,15	X
6	48600099	* SHIM 6X22X0,25	X
6	40540448	BACKPLATE 6X8,5X0,30	X
6	48600479	SHIM 6X20X0,1 T/3H	X
6	48600332	SHIM 6X21X0,1	X
6	48600333	SHIM 6X23X0,1	X
6	40541393	* SHIM 6X12X0,3	X
6	48600330	SHIM 6X17X0,15	X
6	48600988	SHIM 6X28X0,10	X
6	48600989	SHIM 6X26X0,10	X
6	48601091	SHIM 6X28X0,15	X
6	48601093	SHIM 6X26X0,15	X
6	48600328	SHIM 6X15X0,15	X
6	48600326	SHIM 6X13X0,15	X
6	48601548	SHIM 6X17X1,5	X
8	40540477	SHIM 8X18X0,4	X
8	43570120	SHIM 8X18X0,10	X
8	44916098	WASHER 8,4X16X0,8	X
8	44916130	WASHER 8,2X15X1	X
8	44916180	WASHER 8,2X11X1	X
8	48600214	SHIM 8X16X0,1	X

080000190

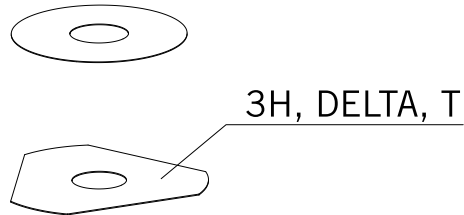
C130009090

* NEW PART

X ON DEMAND



- ⑤ Ø 5 mm
- ⑥ Ø 6 mm
- ⑧ Ø 8 mm
- ⑩ Ø 10 mm
- ⑫ Ø 12 mm
- ⑭ Ø 14-14,5 mm
- ⑯ Ø 16 mm
- ⑳ Ø 20 mm
- ㉑ Ø 21 mm
- ㉒ Ø 22 mm
- ㉓ Ø 23 mm
- ㉔ Ø 24,5 mm
- ㉘ Ø 28,5 mm
- ㉚ Ø 32 mm
- ㉜ Ø 52 mm



POS	PARTNUMBER	PARTNAME	PIECE
8	48600385	SHIM 8x14x0.25	X
8	48600346	SHIM 8X11X0,2	X
8	48600215	CHECK VALVE 8X20X0,1	X
8	48600485	SHIM 8X10X0,10	X
8	48601402	SHIM 8X13X0,10	X
8	48600350	CHECK VALVE 8X16X0,15	X
8	48600061	CHECK VALVE 8X24X0,4	X
8	48600062	CHECK VALVE 8X24X0,1	X
8	48600216	CHECK VALVE 8X22X0,1	X
8	48600480	SHIM 8X10X0,20	X
8	48600555	SHIM 8X16X0,20	X
8	48600213	SHIM 8X14X0,10	X
8	48600357	CHECK VALVE 8X11X0,1	X
8	48600351	CHECK VALVE 8X12X0,1	X
8	48600607	SHUTTLE VALVE 8X20X0,4	X
8	48601095	SHIM 8X17X0,10	X
8	48600352	CHECK VALVE 8X11X0,4	X
10	36120284	SHIM 10X16X0,10	X
10	36120298	SHIM 10X16X0,2	X
10	36120312	SHIM 10X16X0,30	X
10	36120314	SHIM 10X18X0,30	X
10	36120325	SHIM 10X19X0,15	X
10	36120327	SHIM 10X23X0,15	X
10	36120328	SHIM 10X25X0,15	X
10	36120329	SHIM 10X27X0,15	X
10	36120330	SHIM 10X29X0,15	X
10	36120331	SHIM 10X31X0,15	X
10	36120332	SHIM 10X33X0,15	X
10	36120334	SHIM 10X21X0,20	X
10	36120335	SHIM 10X23X0,20	X
10	36120336	SHIM 10X25X0,20	X
10	36120337	SHIM 10X27X0,20	X
10	36120338	SHIM 10X29X0,20	X
10	36120339	SHIM 10X31X0,20	X
10	36120340	SHIM 10X33X0,20	X
10	36120342	SHIM 10X21X0,25	X
10	36120343	SHIM 10X23X0,25	X
10	36120344	SHIM 10X25X0,25	X

080000190

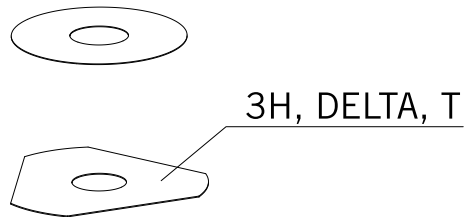
C130009090

* NEW PART

X ON DEMAND



- ⑤ Ø 5 mm
- ⑥ Ø 6 mm
- ⑧ Ø 8 mm
- ⑩ Ø 10 mm
- ⑫ Ø 12 mm
- ⑭ Ø 14-14,5 mm
- ⑯ Ø 16 mm
- ⑳ Ø 20 mm
- ㉑ Ø 21 mm
- ㉒ Ø 22 mm
- ㉓ Ø 23 mm
- ㉔ Ø 24,5 mm
- ㉘ Ø 28,5 mm
- ㉚ Ø 32 mm
- ㉜ Ø 52 mm



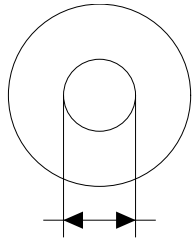
POS	PARTNUMBER	PARTNAME	PIECE
10	36120345	SHIM 10X27X0,25	X
10	36120349	SHIM 10X19X0,30	X
10	36120350	SHIM 10X21X0,30	X
10	40140275	WASHER 10X35X0,15	X
10	36120346	* SHIM 10X29X0,25	X
10	50180010	* SHIM 16X24X0,10	X
10	36120604	SHIM D10XD22X2,5	X
12	46810490	SHIM 12X24X0,20	X
12	46810491	SHIM 12X26X0,20	X
12	46810492	SHIM 12X28X0,20	X
12	46810493	SHIM 12X30X0,20	X
12	46810494	SHIM 12X32X0,20	X
12	46810495	SHIM 12X34X0,20	X
12	46810496	SHIM 12X36X0,20	X
12	46810497	SHIM 12X38X0,20	X
12	46810498	SHIM 12X40X0,20	X
12	46810499	SHIM 12X24X0,25	X
12	46810500	SHIM 12X26X0,25	X
12	46810501	SHIM 12X28X0,25	X
12	46810502	SHIM 12X30X0,25	X
12	46810504	SHIM 12X34X0,25	X
12	46810505	SHIM 12X36X0,25	X
12	46810507	SHIM 12X40X0,25	X
12	46810508	SHIM 12X24X0,30	X
12	46810509	SHIM 12X26X0,30	X
12	46810510	SHIM 12X28X0,30	X
12	46810512	SHIM 12X32X0,30	X
12	46810513	SHIM 12X34X0,30	X
12	46810518	SHIM 12X26X0,15	X
12	46810519	SHIM 12X28X0,15	X
12	46810520	SHIM 12X30X0,15	X
12	46810521	SHIM 12X32X0,15	X
12	46810522	SHIM 12X34X0,15	X
12	46810523	SHIM 12X36X0,15	X
12	46810524	SHIM 12X38X0,15	X
12	46810525	SHIM 12X40X0,15	X
12	46810604	SHIM 12X20X0,10	X
12	46810606	SHIM 12X22X0,10	X

080000190

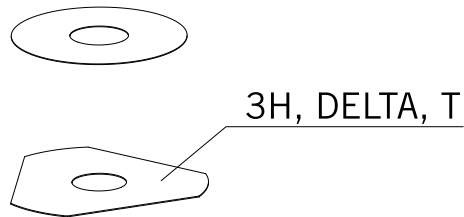
C130009090

* NEW PART

X ON DEMAND



- ⑤ Ø 5 mm
- ⑥ Ø 6 mm
- ⑧ Ø 8 mm
- ⑩ Ø 10 mm
- ⑫ Ø 12 mm
- ⑭ Ø 14-14,5 mm
- ⑯ Ø 16 mm
- ⑳ Ø 20 mm
- ㉑ Ø 21 mm
- ㉒ Ø 22 mm
- ㉓ Ø 23 mm
- ㉔ Ø 24,5 mm
- ㉘ Ø 28,5 mm
- ㉚ Ø 32 mm
- ㉜ Ø 52 mm



POS	PARTNUMBER	PARTNAME	PIECE
12	46810607	SHIM 12X23X0,10	X
12	46810608	SHIM 12X24X0,10	X
12	46810610	SHIM 12X27X0,15	X
12	46810611	SHIM 12X18X0,15	X
12	46810612	SHIM 12X19X0,15	X
12	46810615	SHIM 12X22X0,15	X
12	46810636	BACKPLATE 12X16X0,30	X
12	46810637	BACKPLATE 12X17X0,30	X
12	46810638	BACKPLATE 12X18X0,30	X
12	46810639	SHIM 12X19X0,30	X
12	46810641	BACKPLATE 12X21X0,30	X
12	46811582	BACKPLATE 12X30X0,10	X
12	46810631	SHIM 12X20X0,25	X
12	46810633	SHIM 12X22X0,25	X
12	46811580	SHIM 12X32X0,10	X
12	46810503	SHIM 12X32X0,25	X
12	46810517	* SHIM 12X24X0,15	X
12	46810640	SHIM 12X20X0,30	X
12	46811258	RING 12X24X2,5	X
12	46812018	SHIM 12X42X0,25	X
12	46812015	SHIM 12X44X0,20	X
14	46811046	SHIM 14,5X35,4X1,25	X
16	50180023	* SHIM 16X23X0,20	X
16	50180030	SHIM	X
16	50180006	BACKPLATE 16X20X0,10	X
16	50180007	SHIM 16X21X0,10	X
16	50180028	SHIM 16X21X0,25	X
16	50180210	WASHER 16X21X1	X
16	50180008	SHIM 16X22X0,10	X
16	50180022	SHIM 16X22X0,20	X
16	50180037	SHIM 16X23X0,30	X
16	50180038	SHIM 16X24X0,30	X
16	50180032	SHIM 15X25X0,25	X
16	50180039	SHIM 16X25X0,30	X
16	50180012	SHIM 16X26X0,10	X
16	50180019	SHIM 16X26X0,15	X
16	50180026	SHIM 16X26X0,20	X
16	50180040	SHIM 16X26X0,30	X

080000190

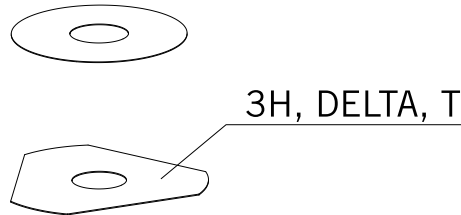
C130009090

* NEW PART

X ON DEMAND



- ⑤ Ø 5 mm
- ⑥ Ø 6 mm
- ⑧ Ø 8 mm
- ⑩ Ø 10 mm
- ⑫ Ø 12 mm
- ⑭ Ø 14-14,5 mm
- ⑯ Ø 16 mm
- ⑳ Ø 20 mm
- ㉑ Ø 21 mm
- ㉒ Ø 22 mm
- ㉓ Ø 23 mm
- ㉔ Ø 24,5 mm
- ㉘ Ø 28,5 mm
- ㉚ Ø 32 mm
- ㉜ Ø 52 mm



POS	PARTNUMBER	PARTNAME	PIECE
16	50180041	SHIM 16X28X0,10	X
16	50180045	SHIM 16X28X0,15	X
16	50180054	SHIM 16X28X0,20	X
16	50180063	SHIM 16X28X0,25	X
16	50180072	SHIM 16X28X0,30	X
16	50180046	SHIM 16X30X0,15	X
16	50180055	SHIM 16X30X0,20	X
16	50180064	SHIM 16X30X0,25	X
16	50180073	SHIM 16X30X0,30	X
16	50180047	SHIM 16X32X0,15	X
16	50180056	SHIM 16X32X0,20	X
16	50180065	SHIM 16X32X0,25	X
16	50180074	SHIM 16X32X0,30	X
16	50180044	SHIM 16X34X0,10	X
16	50180048	SHIM 16X34X0,15	X
16	50180057	SHIM 16X34X0,20	X
16	50180066	SHIM 16X34X0,25	X
16	50180075	SHIM 16X34X0,30	X
16	50180049	SHIM 16X36X0,15	X
16	50180058	SHIM 16X36X0,20	X
16	50180067	SHIM 16X36X0,25	X
16	50180076	SHIM 16X36X0,30	X
16	50180050	SHIM 16X38X0,15	X
16	50180059	SHIM 16X38X0,20	X
16	50180068	SHIM 16X38X0,25	X
16	50180077	SHIM 16X38X0,30	X
16	50180051	SHIM 16X40X0,15	X
16	50180060	SHIM 16X40X0,20	X
16	50180069	SHIM 16X40X0,25	X
16	50180078	SHIM 16X40X0,30	X
16	50180052	SHIM 16X42X0,15	X
16	50180061	SHIM 16X42X0,20	X
16	50180070	SHIM 16X42X0,25	X
16	50180079	SHIM 16X42X0,30	X
16	50180053	SHIM 16X44X0,15	X
16	50180062	SHIM 16X44X0,20	X
16	50180071	SHIM 16X44X0,25	X
16	50180080	SHIM 16X44X0,30	X

080000190

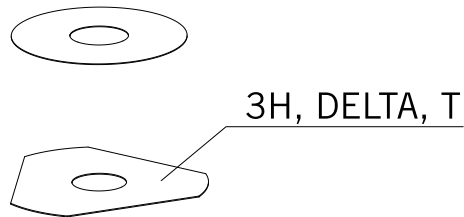
C130009090

* NEW PART

X ON DEMAND



- ⑤ Ø 5 mm
- ⑥ Ø 6 mm
- ⑧ Ø 8 mm
- ⑩ Ø 10 mm
- ⑫ Ø 12 mm
- ⑭ Ø 14-14,5 mm
- ⑯ Ø 16 mm
- ⑳ Ø 20 mm
- ㉑ Ø 21 mm
- ㉒ Ø 22 mm
- ㉓ Ø 23 mm
- ㉔ Ø 24,5 mm
- ㉘ Ø 28,5 mm
- ㉚ Ø 32 mm
- ㉜ Ø 52 mm



POS	PARTNUMBER	PARTNAME	PIECE
16	50180177	WASHER 16X8,2X0,6	X
16	50180033	SHIM 16X26X0,25	X
16	50180034	BACKPLATE 16X20X0,30	X
16	50180035	BACKPLATE 16X21X0,30	X
16	50180036	BACKPLATE 16X22X0,30	X
16	50180043	SHIM	X
16	50180024	* SHIM 16X24X0,20	X
16	50180027	* SHIM 16X20X0,25	X
16	50180031	SHIM	X
16	50180029	SHIM	X
20	48600212	PRESSURE-RING 20X16,25X0,20	X
20	50180666	SHIM 20X24X0,30	X
20	50180654	SHIM 20X36X0,20	X
20	50180655	SHIM 20X38X0,20	X
20	50180656	SHIM 20X40X0,20	X
20	50180665	SHIM 20X40X0,25	X
20	50180662	SHIM 20X34X0,25	X
20	50180657	SHIM 20X24X0,25	X
20	50180653	SHIM 20X34X0,20	X
20	50180634	RING 20X22,9X1	X
20	50180650	SHIM 20,2X28X0,20	X
20	50180663	SHIM 20X36X0,25	X
20	50180664	SHIM 20X38X0,25	X
20	50180659	SHIM 20,2X28X0,25	X
21	50180209	WASHER 21X36X0,25	X
22	50180330	* PRESS. RING 22X18X0,30	X
23	50180635	SHUTTLE VALVE 23X38X0,25	X
23	50180578	SHIM D23XD16X2	X
24	40541061	WASHER 24,5X34X2	X
28	36120469	SHIM 28,5X14X2	X
28	36120471	SHIM 28,5X14X5	X
32	48600460	WASHER 32X42X2,5	X
32	50600065	SHIM 32X45X2	X
32	46811637	PRESSURE RING 36X32,25	X
52	50600002	SHIM 52X59X2,2	X

080000190

C130009090

* NEW PART

X ON DEMAND



3CFF2175P4EN



Husqvarna Motorcycles GmbH
Stallhofnerstraße 3 | 5230 Mattighofen | Austria
www.husqvarna-motorcycles.com



SPAREPARTSCATALOG

ENGINE

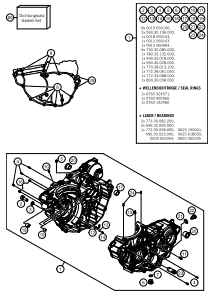
ART.-NR.: 3CM089337PEN

FE 250 2016



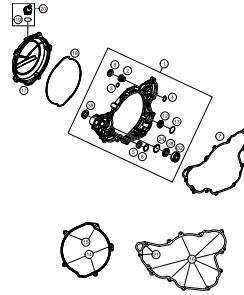
Husqvarna®
MOTORCYCLES

ENGINE CASE



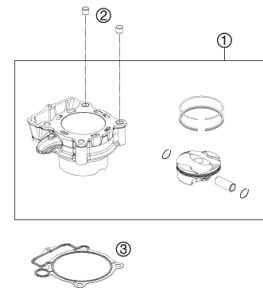
3

CLUTCH COVER



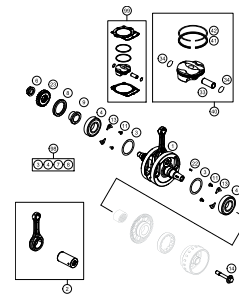
4

CYLINDER



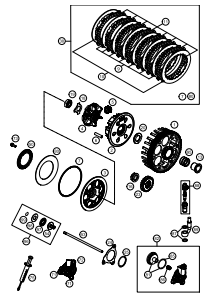
5

CRANKSHAFT, PISTON



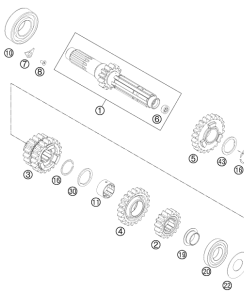
6

CLUTCH



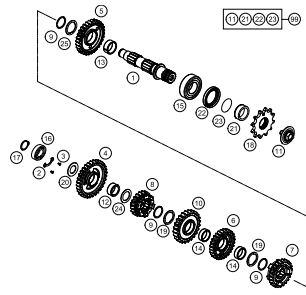
7

TRANSMISSION I - MAIN SHAFT



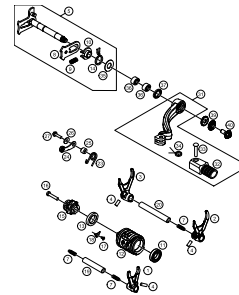
9

TRANSMISSION II - COUNTERSHAFT



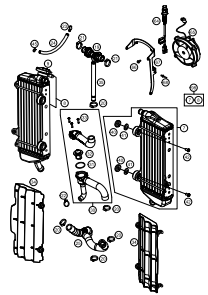
10

SHIFTING MECHANISM



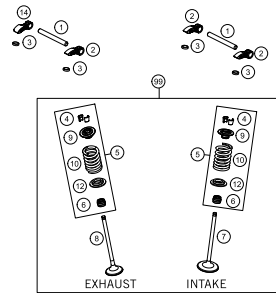
11

COOLING SYSTEM



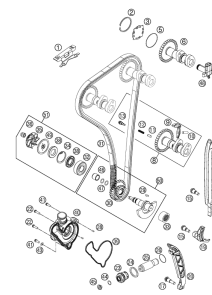
12

VALVE DRIVE



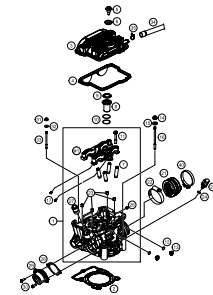
13

TIMING DRIVE



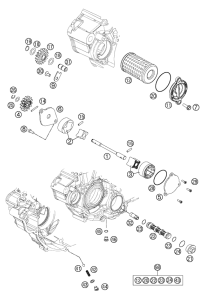
14

CYLINDER HEAD



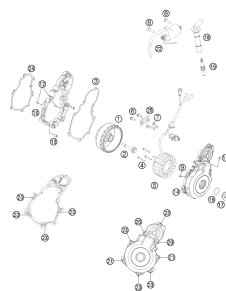
16

LUBRICATING SYSTEM



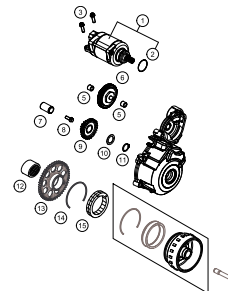
17

IGNITION SYSTEM



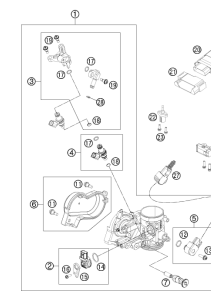
18

ELECTRIC STARTER



19

THROTTLE BODY

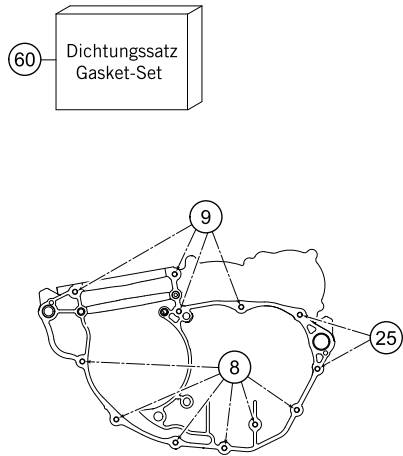


20

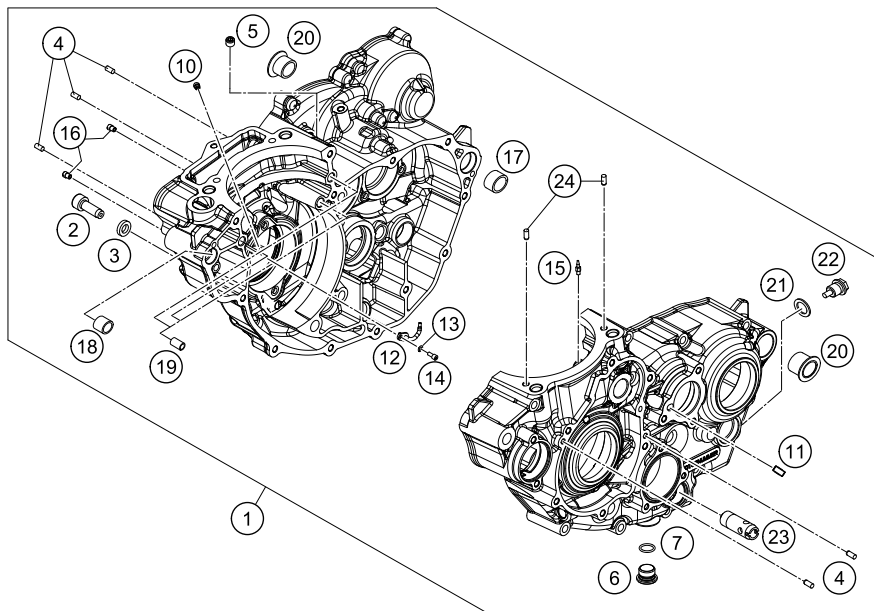


All information contained is without obligation. HUSQVARNA MOTORCYCLES GmbH particularly reserves the right to modify any equipment, technical specifications, prices, colors, shapes, materials, services, service work, constructions, equipment and the like so as to adapt them to local conditions or to cancel any of the above items, all without previous announcement and without giving reasons. KTM may stop manufacturing certain models without previous notice. HUSQVARNA MOTORCYCLES shall not be held liable for any deviations of availability and/or ability to deliver, illustrations, descriptions, printing and/or other errors. The illustrated models partly contain extra equipment, which is not applied to standard models.

© by HUSQVARNA MOTORCYCLES GmbH, Mattighofen AUSTRIA; All rights reserved; Reprint, also in extracts, with written allowance of HUSQVARNA MOTORCYCLES GmbH, Mattighofen only.



- | | | | | | | | |
|----|----|----|----|----|----|----|----|
| 2 | 3 | 4 | 5 | 6 | 7 | 10 | 11 |
| 12 | 13 | 14 | 15 | 16 | 17 | 18 | 19 |
| | | | | 20 | 21 | 22 | |
| | | | | 23 | 24 | | |
- 8x 0019 050106,
5x 590.30.196.000,
1x 0018 050103,
1x 0912 060163
1x 0912 060404,
6x 750.30.085.000,
1x 780.33.132.000,
1x 590.33.018.000,
1x 590.40.028.000,
1x 770.38.013.100,
1x 772.38.061.050,
1x 772.33.088.000,
1x 800.30.058.060
- + WELLENDICHRINGE / SEAL RINGS**
1x 0760 324571,
1x 0760 405560,
1x 0760 142460
- + LAGER / BEARINGS**
2x 773.30.082.200,
2x 546.32.095.000,
1x 772.30.058.000, 0625 160041,
490.30.023.000, 0625 618050,
0625 062054, 0625 062035



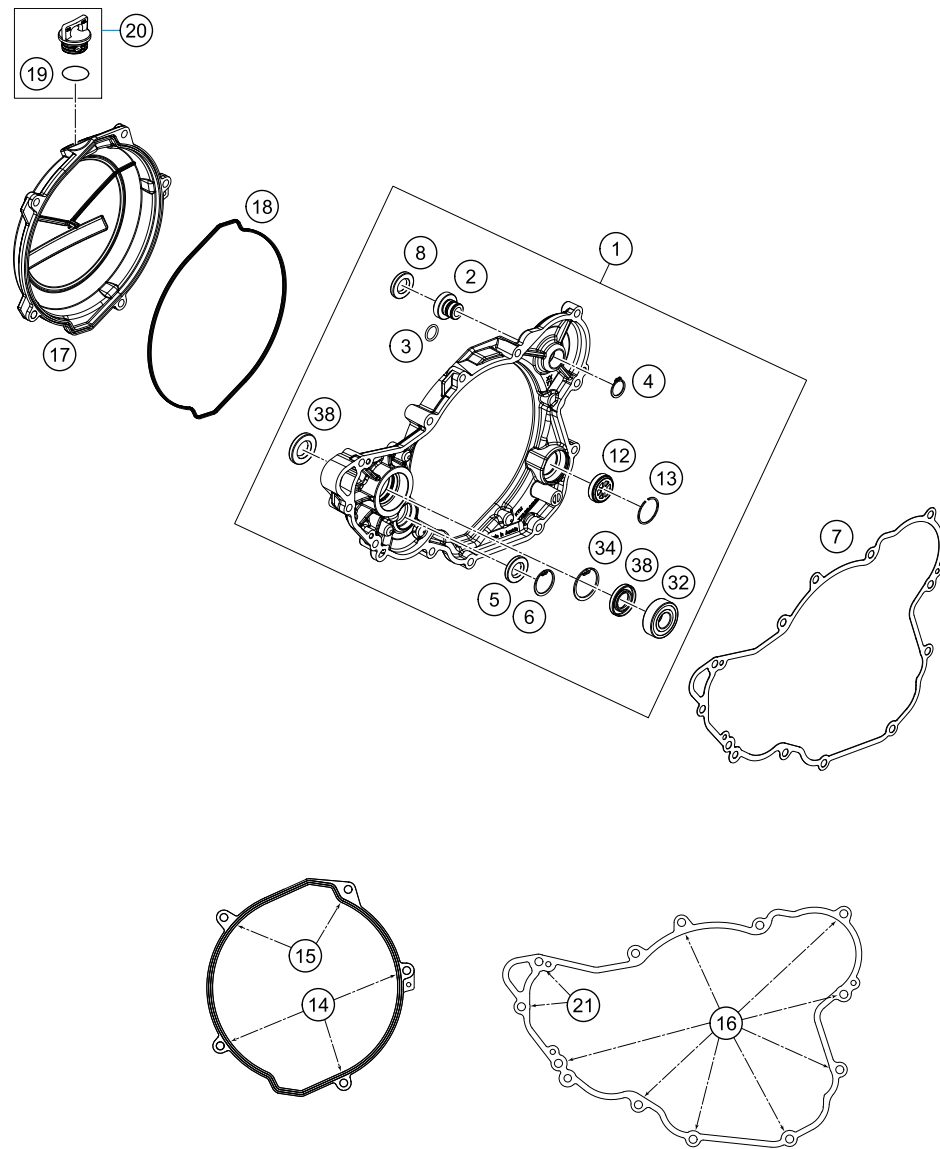
167753010

POS	PARTNUMBER	PARTNAME	PIECE
1*	77730000344	ENGINE CASE CPL. 250	1
2	58030080000	LOCATING SCREW M8 L=23	1
3	58030081000	CU-SEAL RING 8 X 14 X 3	1
4	0402040980	NEEDLE ROL.DIN5402 NRB 4X9,8	5
5	0906100100	PLUG DIN0906-M10X1	1
6	78036081000	HOLDING BOLT M14X1,5	1
7	0770110015	O-RING 1,5x11 SILICON	1
8	0025060556	HH COLLAR SCREW M6X55 TX30	6
9	0025060656	HH COLLAR SCREW M6X65 TX30	4
10	80030058060	OIL JET "60" M4	1
11	77230066000	THROTTLE M5X10X0,5	1
12	81230164050	OIL JET ANGLED 50	1
13	0770035020	O-RING 3,5X2,00 NBR	1
14	0912040103	AH.SCREW DIN0912-M 4X10	1
15	60030063050	OIL JET 50 05	1
16	59030058000	JET 100 BING(44-031/180) M4	2
17	59030024000	DOWEL 17 X 19 X 12	1
18	54630027000	DOWEL BUSHING 13,8X11X12	1
19	59030023000	DOWEL 6X8X11,5	3
20	75030010100	CASE BUSH	2
21	58038022000	CU-SEAL RING DIN7603-12X18X1,5	1
22	58030021000	OILDRAIN PLUG W.MAG. M 12X1,5	1
23	77038022000	OIL INTAKEPIPE	1
24	0402050080	CYLINDER ROLLER ZRO 5X8	2
25	0025060856	HH COLLAR SCREW M6X85 TX30	2
60	77830099000	GASKET SET 350 SX-F	1

C167743010

* NEW PART

X ON DEMAND



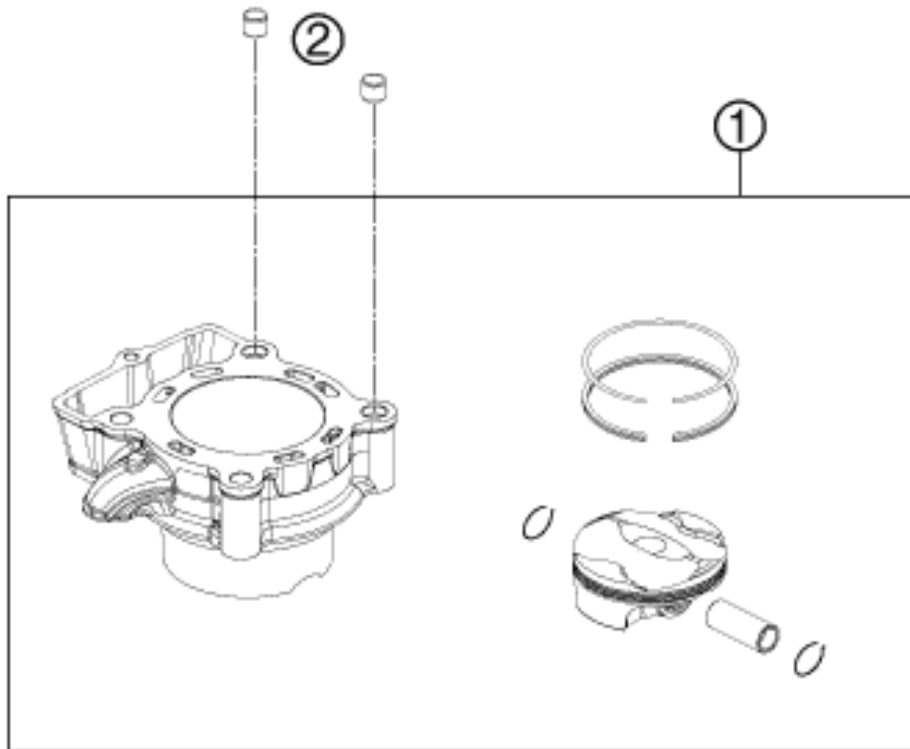
POS	PARTNUMBER	PARTNAME	PIECE
1	77230001144	CLUTCH COVER CPL.	1
2	77230001010	PLUG STARTING LEVER	1
3	0770140200	O-RING 14,00X2,00	1
4	0471170010	CIRCLIP DIN0471-17X1	1
5	0760142450	SHAFT SEAL RING 14X24X5 VITON	1
6	0472024120	CIRCLIP DIN0472-24X1.2	1
7	77230025000	CLUTCH COVER GASKET	1
8	0760172870	SHAFT SEAL RING 17X28X7 B	1
12	59030019200	OIL SIGHT GLASS	1
13	61030019050	CIRCLIP OIL LEVEL GLASS 03	1
14	0025060206	HH COLLAR SCREW M6X20 TX30	3
15	0025060456	HH COLLAR SCREW M6X45 TX30	2
16	0025060256	HH COLLAR SCREW M6X25 TX30	8
17	77230626000KA	OUTER CLUTCH COVER "Hqv"	1
18	77230027000	GASKET FOR OUTER CLUTCH COVER	1
19	0770191015	O-RING 19,00X3,00 NBR	1
20	58030120000	OIL FILLER CAP M24x3 WITH O-R	1
21	0025060406	HH COLLAR SCREW M6X40 TX30	2
32	0625062022	BALL BEARING 6202 C0 2	1
34	0472300120	CIRCLIP 30X1,2	1
38	07601530451	SHAFT SEAL RING 15X30X4.5 BAUD	2

147753020

C168133020

* NEW PART

X ON DEMAND



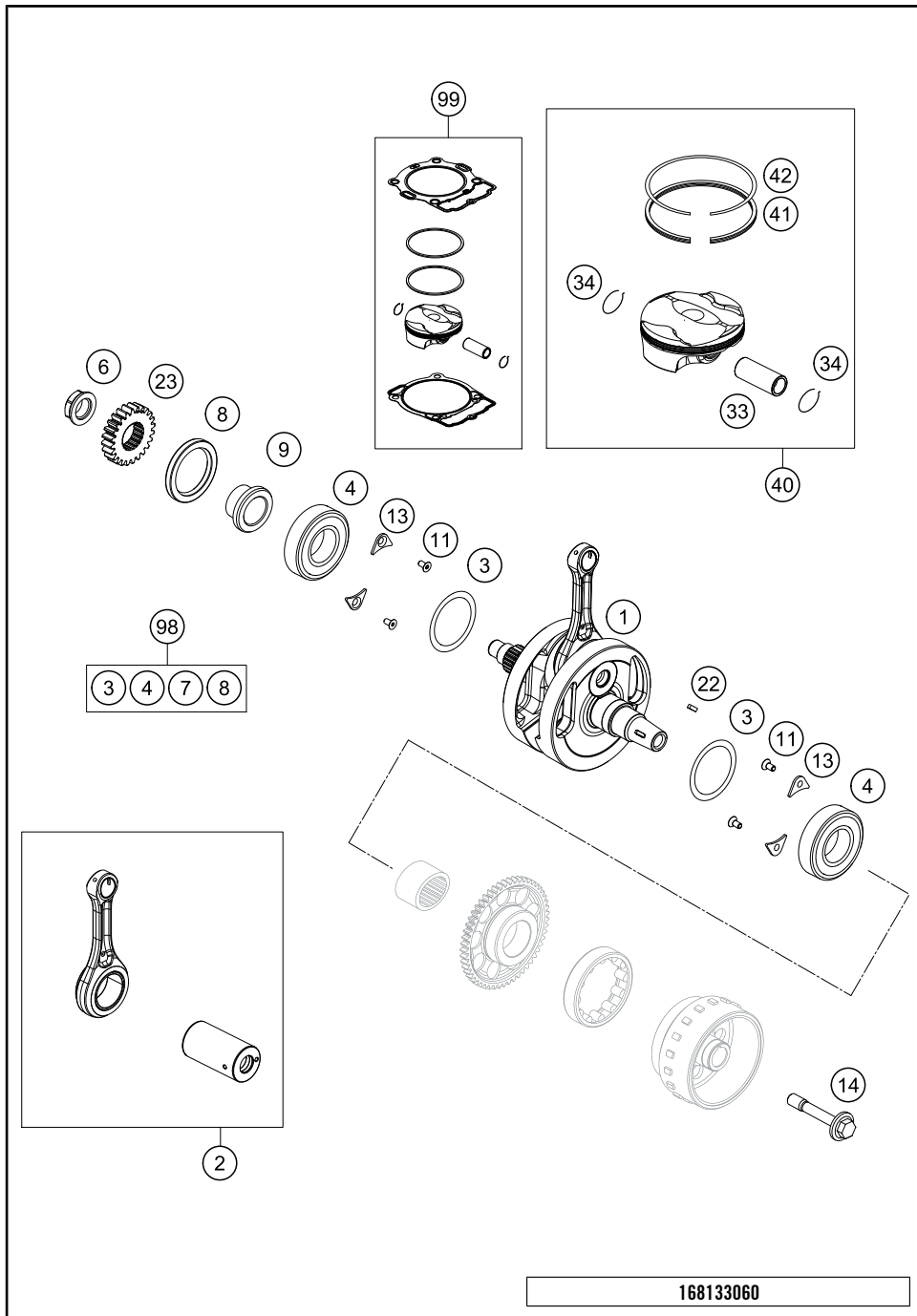
POS	PARTNUMBER	PARTNAME	PIECE
1	77730038100	CYLINDER AND PISTON	1
2	58530014100	DOWEL BUSHING 10,2X12,5X10	2
3	77230035000	CYLINDER BASE GASKET	1

137773040

C147773042

* NEW PART

X ON DEMAND

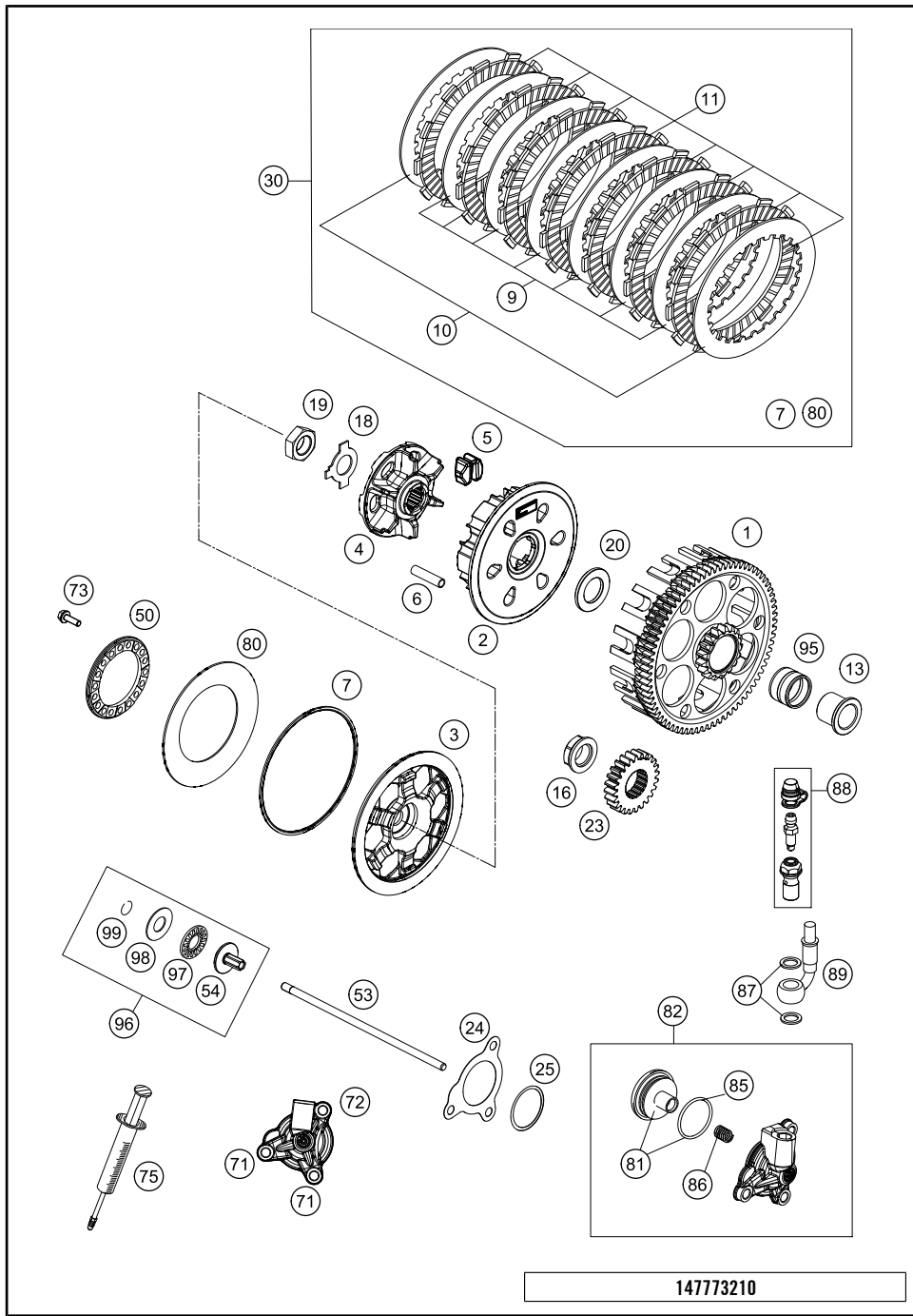


POS	PARTNUMBER	PARTNAME	PIECE
1	77730118000	CRANKSHAFT CPL.	1
2	77730015144	CONNECTING ROD REPAIR SET	1
3	0988324510	THRUST WASHER 988ST 32X0,1	x
3	0988324515	THRUST WASHER 988ST 32X0,15	x
3	0988324530	THRUST WASHER 988ST 32X0,30	x
4	77330082200	BEARING NJ 206 ECP/HN3C4HVA624	2
6	77230029000	NUT PRIMARY WHEEL	1
8	0760405560	SHAFT SEAL RING A40x55x6 VITON	1
9	77232022000	SPACER BUSHING PRIMARY GEAR	1
11	0019050106S	INT. TORX FLAT HEAD M5X10 10.9	4
13	75030085000	RETAINING PLATE F. CS BEARING	4
14	77339010100	FLYWHEEL SCREW	1
22	0888030037	WOODRUFF KEY DIN6888-3X3,7	1
23	77232023024	PRIMARY GEAR 24T.	1
33	77730033200	PISTON PIN	1
34	77730074000	CIRCLIP 16X1.4 MM	2
40	77730007100 I	PISTON I CPL. 250	x
40	77730007100 II	PISTON II CPL. 250	x
41	77730032000	SCRAPER RING 250	1
42	77730030000	COMPRESSIONRING 250	1
98	00050002311	CRANKSHAFT REP. KIT SX-F 13-15	x
99	00050000222	PISTON KIT GR.I 250 SX-F13-14	x
99	00050000223	PISTON KIT GR.II 250 SX-F 13	x

168133060

C168133060

* NEW PART X ON DEMAND



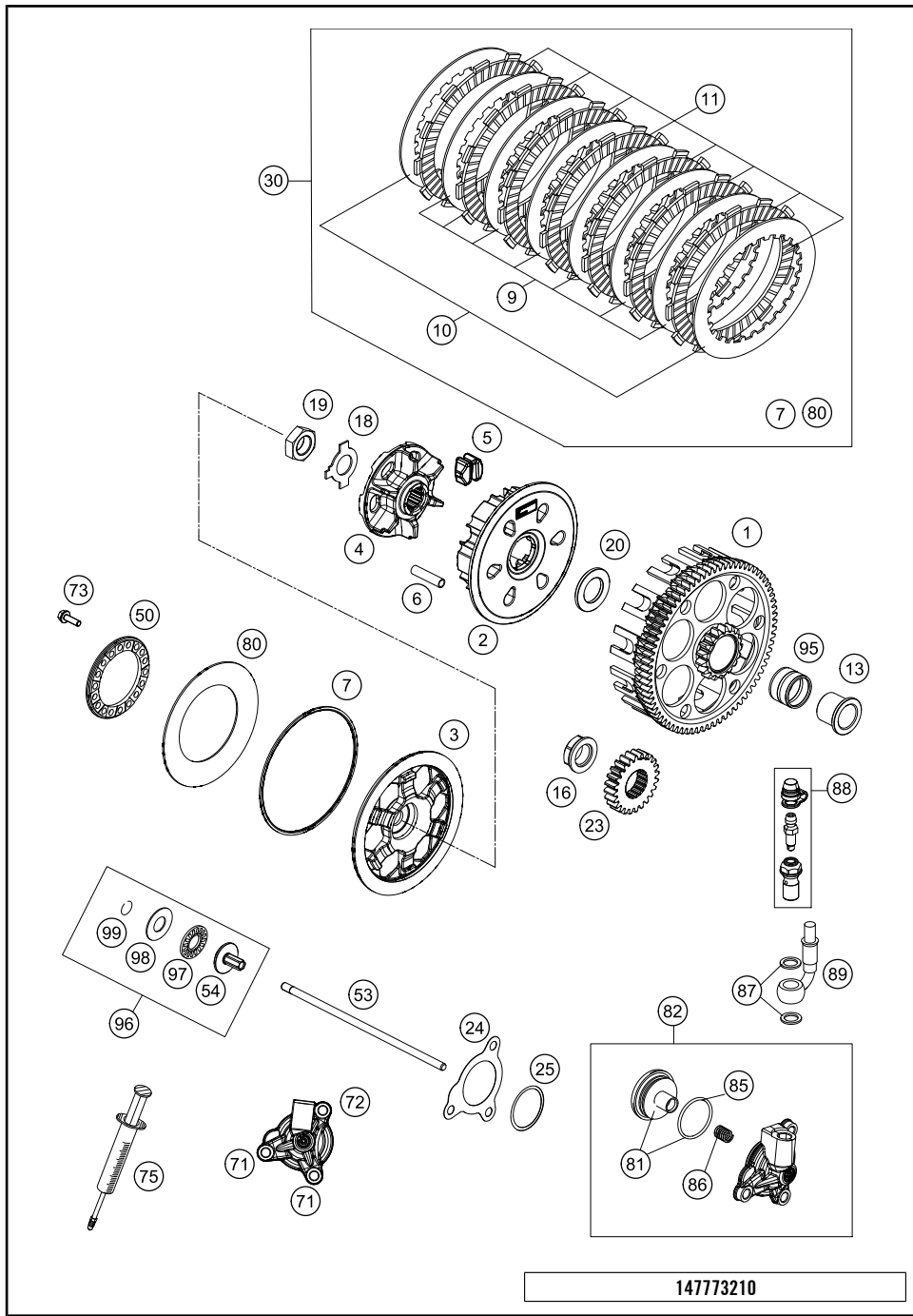
POS	PARTNUMBER	PARTNAME	PIECE
1*	77232001173	OUTER CLUTCH HUB	1
2	78132002200	INNER CLUTCH HUB 450SX-F 2014	1
3*	78132003100	CLUTCH PRESSURE CAP	1
4	78132002111	HUB	1
5	78132025100	DAMPING RUBBER	6
6	78132004000	SLEEVE 7,5X33.4	6
7	78132013000	WASHER 112X118X1.5	1
9	59032010200	INTERMEDIATE DISC 1,4MM 2002	7
10	59032010100	INTERMEDIATE DISC 1MM 2002	2
11	77532011000	LINING DISC	8
13	77232015000	INNER RING	1
16	77230029000	NUT PRIMARY WHEEL	1
18	78132018000	TAB WASHER	1
19	0936181505	HEXAGON NUT DIN0936-M18X1,5 R.	1
20	77232009000	WASHER 21,8 X 37 X 5,1	1
23	77232023024	PRIMARY GEAR 24T.	1
24	77232062000	GASKET F. OUTPUT CYLINDER	1
25	0770300015	O-RING 30,00X1,50 NBR 70	1
30	77732010110	CLUTCH KIT 250 EXC-F, XCF-W	1
50	78132006100	SPRING RING	1
53	77232054000	PUSH ROD	1
54	78032057000	PRESSURE PIECE	1
71	0025060166	HH COLLAR SCREW M6X16 TX30	2
72	0025060356	HH COLLAR SCREW M6X35 TX30	1
73	0025050166	HH COLLAR SCREW M5X16 TX30	6
75	50329050000	VENT INJEKTION HYDR. CLUTCH	1
80	78132005000	BELLEVILLE SPRING 71X115X1,5 I	1
81	77232066000	PISTON CPL.	1
82	77232061044	OUTPUT CYLINDER CPL.	1
85	54832067000	O-RING	1
86	54832069000	PRESSURE SPRING	1
87	42013226000	CU-SEAL RING DIN7603-10X16X1	2
88	62513020000	BLEEDER SCREW CPL. 05	1
89	54832063000	CLUTCH PIPE 06	1
95	56532095000	NEEDLE BEARING K26X30X22ZW.KSE	1
96	78032057044	PRESSURE PIECE CPL. 08	1
97	54637097200	AXIAL NEEDLE BEARING AXK 1226	1

147773210

C157813210

* NEW PART

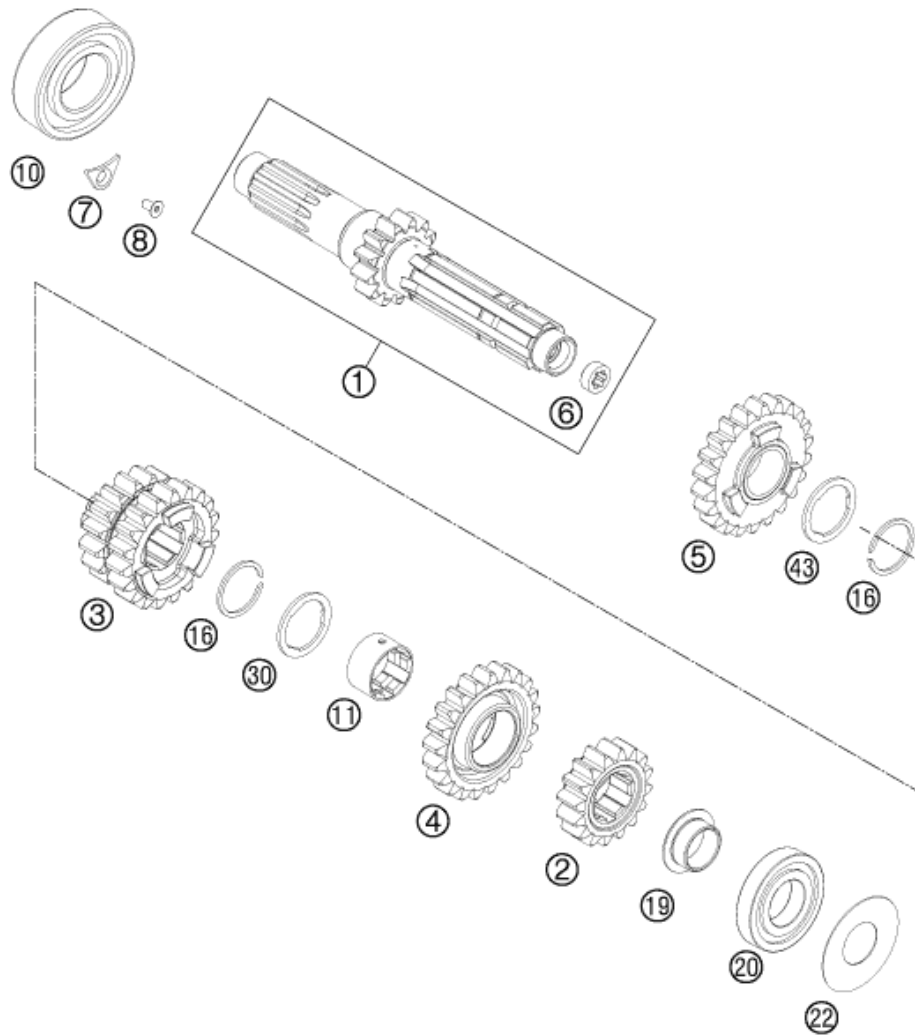
X ON DEMAND



POS	PARTNUMBER	PARTNAME	PIECE
98	54637098200	AXIAL WASHER AS1226 12X26X1	1
99	0993012000	CIRCLIP DIN7993-RW12	1

C157813210

* NEW PART X ON DEMAND



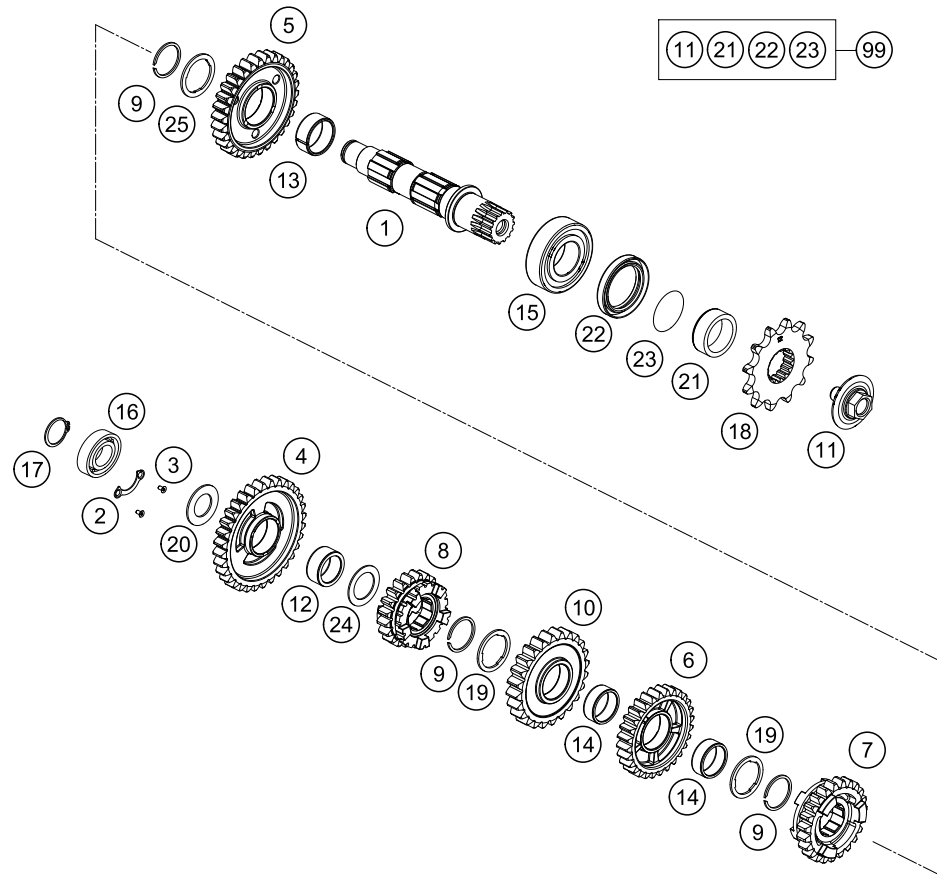
POS	PARTNUMBER	PARTNAME	PIECE
1	77733001000	MAIN SHAFT CPL.	1
2	77733102000	SOLID GEAR 2ND G. T=16	1
3	77733103000	SLIDING GEAR 3/4 G. T="16/23"	1
4	77733105000	IDLER GEAR 5TH G. T=23	1
5	72033006044	IDLER GEAR 6TH GEAR CPL.	1
6	78033001110	BUSHING	1
7	75030085000	RETAINING PLATE F. CS BEARING	1
8	0019050121S	INT. TORX FLAT HEAD M5X12 T25	1
10	0625062054	BALL BEARING 6205 C3 NTN	1
11	77733024000	IDLER GEAR BUSHING	1
16	50133090000	LOCK RING 22X1,2	2
19	77733027000	BUSHING	1
20*	0625160041	BALL BEARING TM 16004 C4	1
22	77233088000	SPACER SHIM 21X42X0.2	1
30	77733021000	STOP DISC	1
43	77733022000	STOP DISC	1

137773330

C167743330

* NEW PART

X ON DEMAND



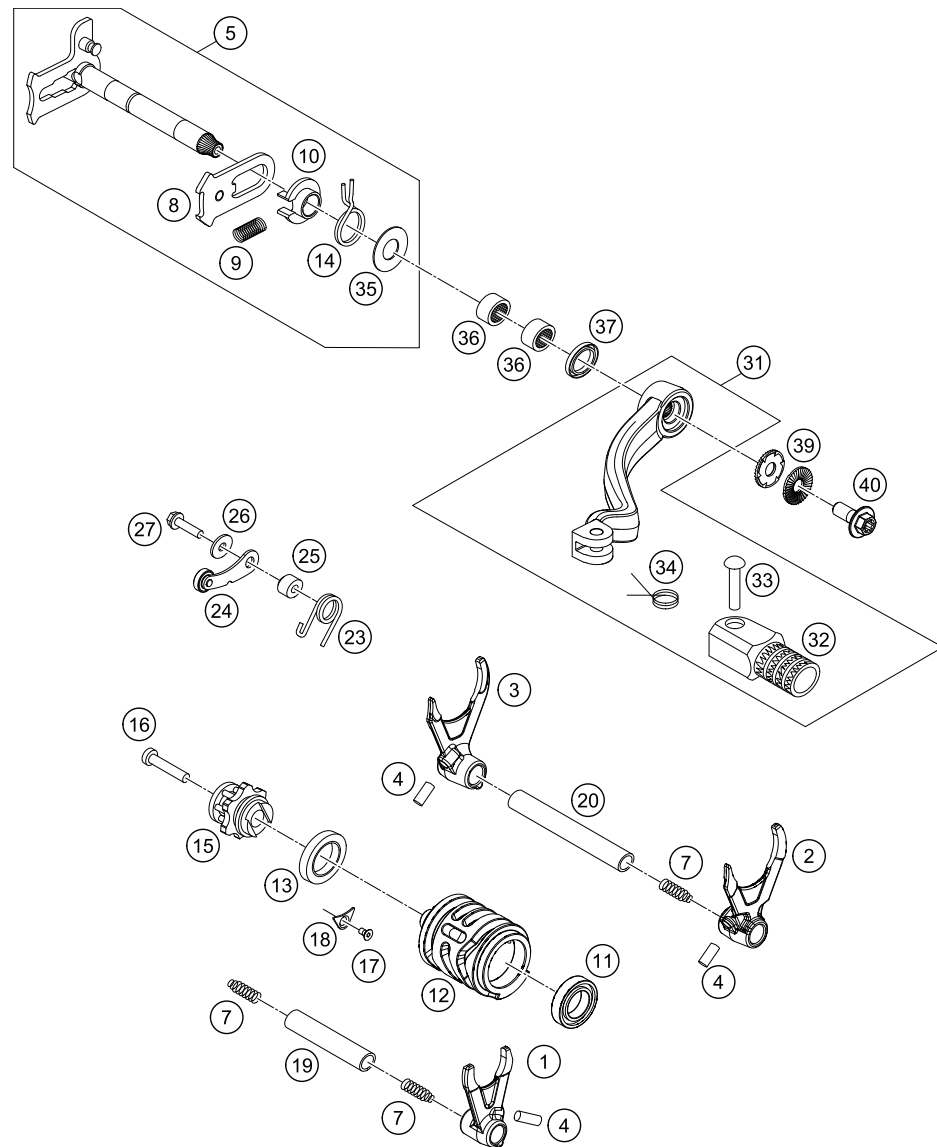
147203360

POS	PARTNUMBER	PARTNAME	PIECE
1	77733110000	COUNTERSHAFT	1
2	78033132000	TAB WASHER BEARING COUNT.SHAFT	1
3	0019050121S	INT. TORX FLAT HEAD M5X12 T25	2
4	77733011000	IDLER GEAR 1ST G. T=32	1
5	77733112000	IDLER GEAR 2ND G. T=30	1
6	77733114100	IDLER GEAR 4.G. Z=28	1
7	77733115100	SLIDING GEAR 5.G.,Z=23	1
8	72033016000	SLIDING GEAR 6TH GEAR, 20T	1
9	0417024000	CIRCLIP WS24	3
10	77733113100	IDLER GEAR 3.G. Z=24	1
11	59033034044	SCREW 10.9+SPRING WASHER	1
12	0405202612	NEEDLE BEARING K 20X26X12	1
13	0405242812	NEEDLE BEAR. K24X28X11,9 DIV.	1
14	0405222611	NEEDLE BEAR.K 22X26X10 DIVIDED	2
15	49030023000	CYL.ROLL BEARING NJ205	1
16	0625062035	BALL BEARING 6203 JR2 C3	1
17	0471170015	CIRCLIP DIN 0471-17X1, 5	1
18	50033029013	FRONT SPROCKET 13-T	x
18	50033029014	FRONT SPROCKET 14-T	x
19	77733043000	STOP DISC 23,4X31X1,5	2
20	77233020000	STOP DISK 17,2X30X1,3	1
21	54633014100	SPACER BUSHING 12MM	1
22	0760324571	SHAFT SEAL RING 32X45X7 BSLNBR	1
23	0770020220	O-RING 25,12X1,78 NBR70	1
24	54833080000	STOP DISC 20,2X30X1	1
25	77733044000	STOP DISC 24X32X1,5	1
99	00050000941	COUNTER SHAFT REP.KIT 4 STROKE	x

C168133360

* NEW PART

X ON DEMAND



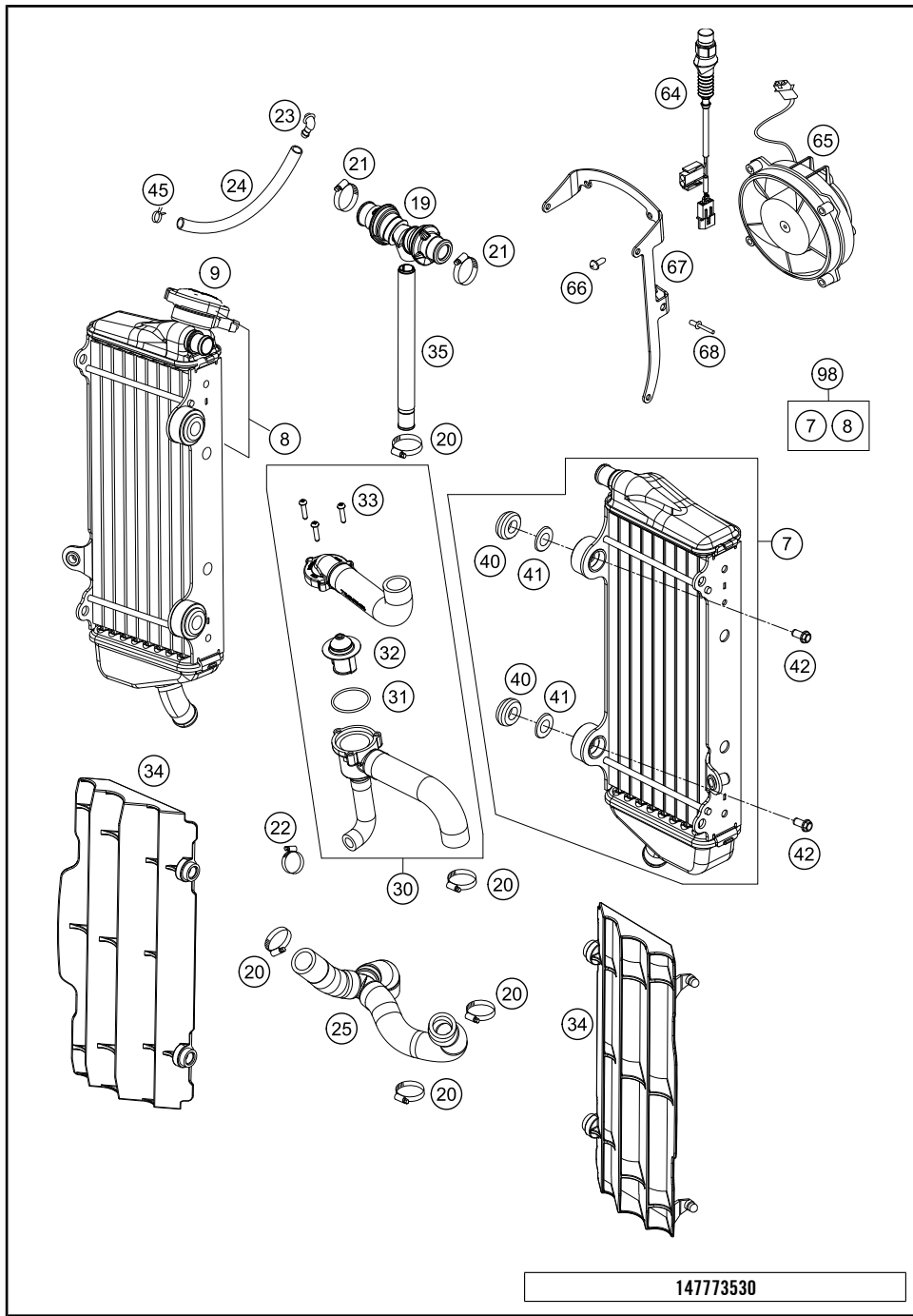
167743410

POS	PARTNUMBER	PARTNAME	PIECE
1	77734001000	SHIFTING FORK 5TH/6TH GEAR	1
2	54834202000	SHIFT FORK 2./4.G.	1
3	54834203000	SHIFT FORK 1./3. G.	1
4	0402061480	NEEDLE ROLLER DIN5402 6X14,8	3
5	54834005133	SHIFT SHAFT ASSY	1
7	58038023200	PRESSURE SPRING 0,9MM	3
8	61234008044	SLIDING PLATE	1
9	56534013100	TENSIONING SPRING 0,8MM	1
10	54634020000	SPRING GUIDE	1
11	0625069034	BALL BEARING 6903 C4	1
12	54834212200	GEAR SHIFT DRUM	1
13	0625618050	BALL BEARING 61805 C3	1
14	54834014000	RETURN SPRING 03	1
15	77234015000	SHIFT LOCATING DRUM CPL.	1
16	0912060353	AH SCREW DIN0912-M 6X35	1
17	0019050106S	INT. TORX FLAT HEAD M5X10 10.9	1
18	75030085000	RETAINING PLATE F. CS BEARING	1
19	54834019000	SHIFT. RAIL MAIN SHAFT 250/300	1
20	54834020000	SHIFT. RAIL C. SHAFT 250/300	1
23	60034023000	ARRESTING LEVER SPRING 03	1
24	50334024144	LOCATING LEVER CPL. 08	1
25	54634052300	SLEEVE FOR LOCKING LEVER	1
26	0021050003	WASHER DIN9021-A 5,3	1
27	0025050206	HH COLLAR SCREW M5X20 TX30	1
31	59034031000	SHIFT LEVER CPL.RACING 2000	1
32	54634131000	STEP PLATE FOR SHIFT LEVER 250	1
33	54634031050	BOLT 6X25 FOR SHIFT LEVER	1
34	54634032100	SHIFTING LEVER SPRING 250	1
35	54634050000	STOP DISK 14X30X1	1
36	54632095000	NEEDLE BEAR.HK 1412 14X20X12	2
37	0760142460	SHAFT SEAL RING 14X24X6 B	1
39*	50233041500	NORDLOCK WASHER M6	1
40*	0024060156S	HH COLLAR SCREW M6X15 TORX30	1

C167743410

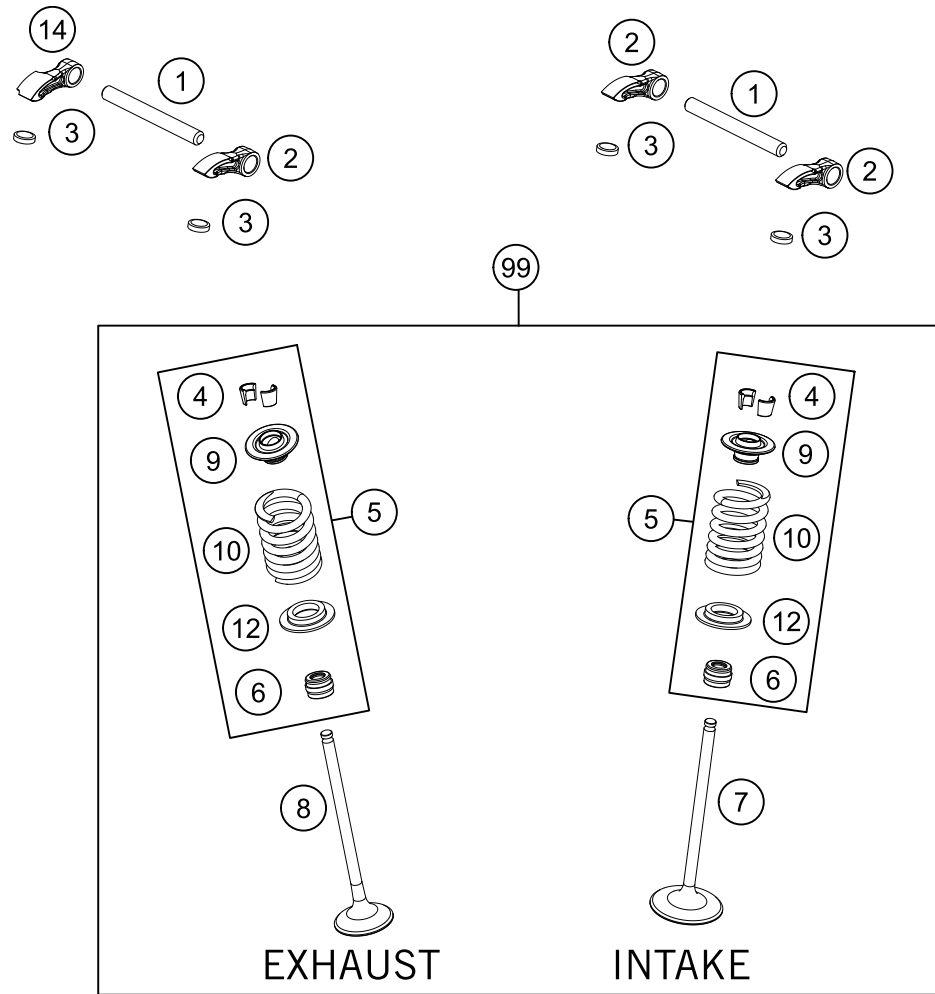
* NEW PART

X ON DEMAND



POS	PARTNUMBER	PARTNAME	PIECE
7	77035007300	% RADIATOR L/S "55623U" 12	1
8	78035008100	% RADIATOR R/S "55556U" 12	1
9	77335016000	RADIATOR CAP SMALL 1,8 BAR	1
19	77235071044	Y-CONNECTOR CPL.	1
20	10001020000	HOSE CLAMP GEMI 18-29	5
21	42013037400	HOSE CLAMP NORMA 14/24	2
22	58335099000	HOSE CLAMP GEMI 10-16	1
23	50303089000	ANGLE PIECE '97	1
24	50335030001	PVC-HOSE 6X9	x
25	77235025033	RADIATOR HOSE CPL.+Y-CONNECT.	1
30	77735126033	RADIATOR HOSE CPL. W. THERM.	1
31	0770320020	O-RING 32,00X2,00	1
32	59435117000	% THERMOSTAT 70°C	1
33	0016040183	SCREW FOR PLASTIC D=4X18	3
34	7733503400030	RADIATOR PROTECTION BLACK 07	x
35	77235073000	HOSE CONNECTOR L=172,5	1
40	41001052000	RUBBER SLEEVE D=12MM	4
41	77335001000	WASHER FOR RADIATOR 08	4
42	0023060123	COLLAR SCREW M6X12 TX	4
45	59007017000	CLAMP YDNAC 10096F (9,6MM)	1
64	77735045000	THERMO SWITCH 95°C M14X1,5	1
65	58435041000	FAN CPL. 12V LC4 2000	1
66	0081050181	SCREW FOR PLASTIC K50X18 T20	3
67	81235943000	FAN SUPPORT	1
68	0011400800	RIVET 4,0X 8 ALU	3
98*	00050000131	RADIATOR KIT 08-14	1

* NEW PART X ON DEMAND



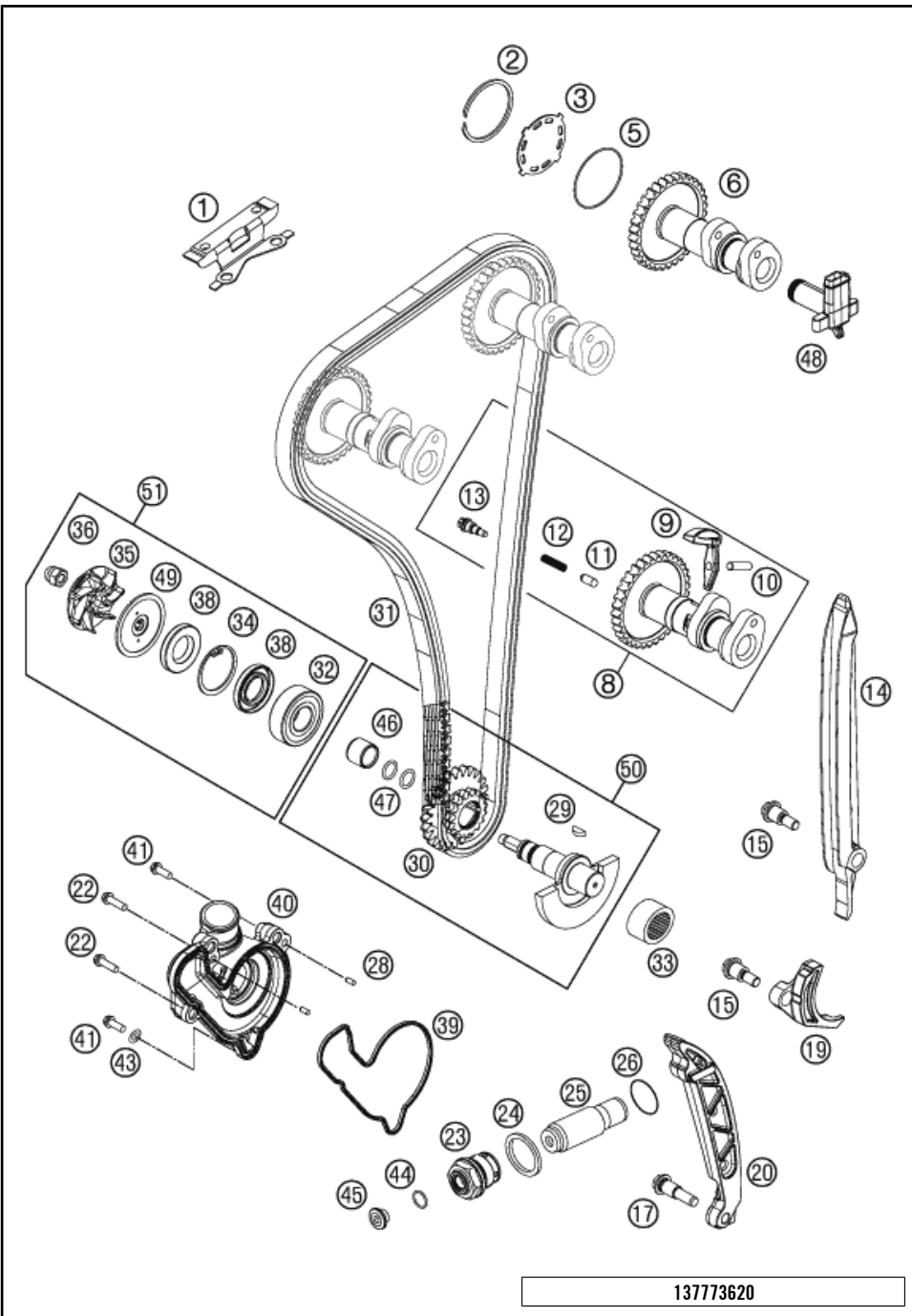
POS	PARTNUMBER	PARTNAME	PIECE
1	77236056000	VALVE LEVER SHAFT	2
2	77236060000	VALVE LEVER	3
3	77036035172	SHIM D=8,9/1,72	X
3	77036035176	SHIM D=8,9/1,76	X
3	77036035180	SHIM D=8,9/1,80	X
3	77036035184	SHIM D=8,9/1,84	X
3	77036035188	SHIM D=8,9/1,88	X
3	77036035192	SHIM D=8,9/1,92	X
3	77036035196	SHIM D=8,9/1,96	X
3	77036035200	SHIM D=8,9/2,00	X
3	77036035204	SHIM D=8,9/2,04	X
3	77036035208	SHIM D=8,9/2,08	X
3	77036035212	SHIM D=8,9/2,12	X
3	77036035216	SHIM D=8,9/2,16	X
3	77036035220	SHIM D=8,9/2,20	X
3	77036035224	SHIM D=8,9/2,24	X
3	77036035228	SHIM D=8,9/2,28	X
3	77036035232	SHIM D=8,9/2,32	X
3	77036035236	SHIM D=8,9/2,36	X
3	77036035240	SHIM D=8,9/2,40	X
3	77036035244	SHIM D=8,9/2,44	X
3	77036035248	SHIM D=8,9/2,48	X
3	77036035252	SHIM D=8,9/2,52	X
3	77036035256	SHIM D=8,9/2,56	X
3	77036035260	SHIM D=8,9/2,60	X
4	77036033000	VALVE COLLET 05	8
5	77736128244	VALVE SPRING KIT	1
6	77036027000	VALVE-STEM SEALING 05	4
7	77736030000	INTAKE VALVE	2
8	77736031000	EXHAUST VALVE	2
9	77736232000	VALVE SPRING PLATE	4
10	77036028300	VALVE SPRING INSIDE YELLOW / ORANGE	4
12	77536036100	VALVE SPRING HOLDER	4
14	77736060000	VALVE LEVER	1
99	77736030110	VALVE KIT 250 EXC-F,XCF-W 14	1

147773610

C147773612

* NEW PART

X ON DEMAND



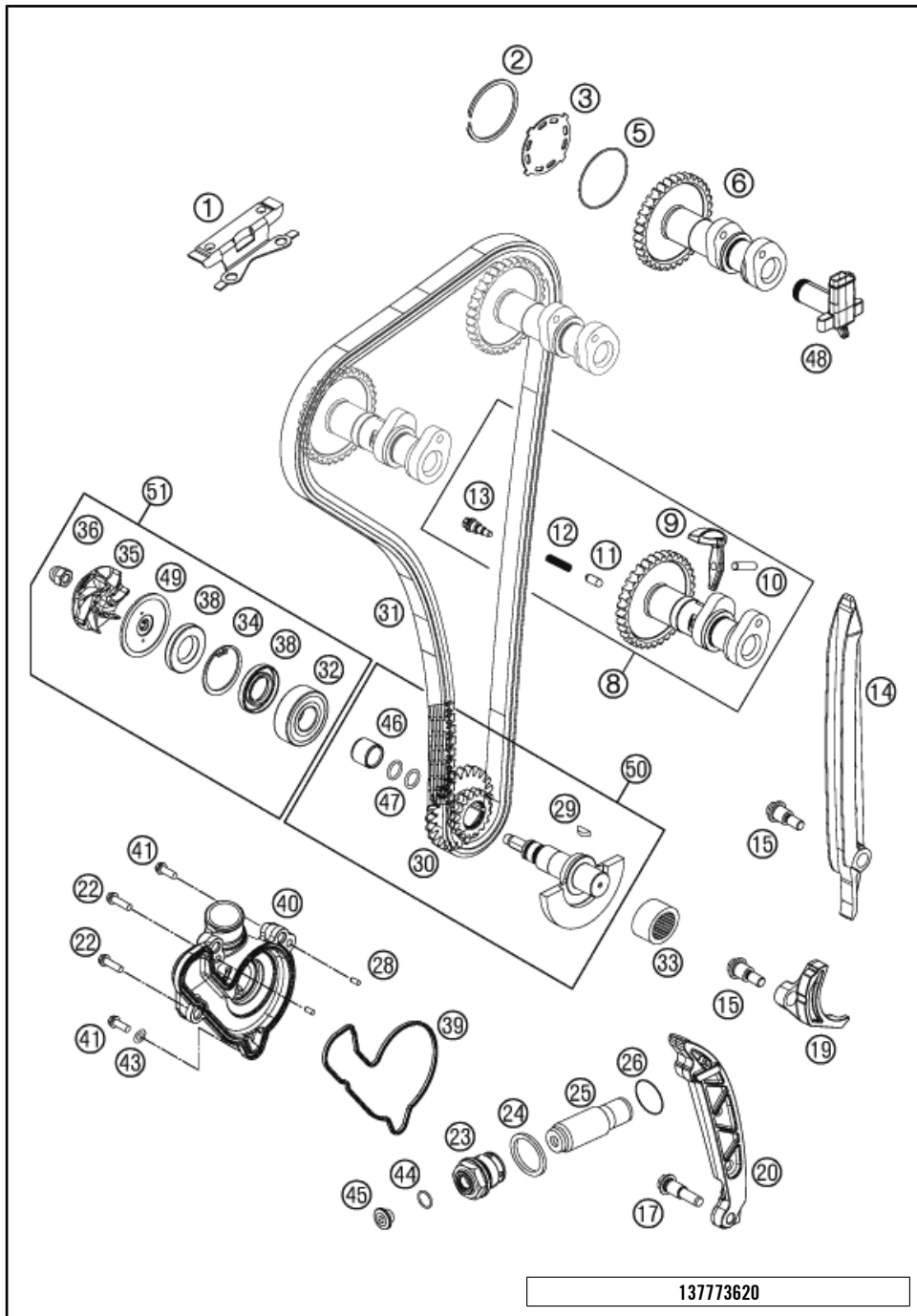
POS	PARTNUMBER	PARTNAME	PIECE
1*	79236004000	TIMING CHAIN GUIDE TOP	1
2	0472042150	COPPER WASHER SB42	1
3	77736082000	BREATHER PLATE	1
5	0770400010	O-RING 40,00X1,00 VITON	1
6	77736109000	CAMSHAFT INTAKE	1
8	77736110044	CAMSHAFT EXHAUST CPL.	1
9	77736016000	DECOMPRESSION LEVER CPL.	1
10	0402051880	NEEDLE ROLLER NRB 5X18,8 G2	1
11	77336016055	DECO SPRING PIN L=10,6 07	1
12	77336017030	SPRING FOR AUTO DECOMPR.	1
13	77336017050	DECO SCREW PLUG	1
14	77236001000	TIMING CHAIN GUIDE	1
15	77236001160	BUSHING SCREW M6	2
17	77236002160	BUSHING SCREW M8	1
19	77236005000	SECURING PROTECTION	1
20	77236002000	TENSIONING RAIL	1
22	0025060406	HH COLLAR SCREW M6X40 TX30	2
23	77336008000	HOLDING BOLT M24X1,5	1
24	0603242920	CU SEAL-RING DIN7603 A24X29X2	1
25	77036003000	CHAIN ADJUSTER HYD. 05	1
26	0770180020	O-RING 18,00X2,00 NBR 70	1
28	0402040980	NEEDLE ROL.DIN5402 NRB 4X9,8	2
29	0888030037	WOODRUFF KEY DIN6888-3X3,7	1
30	77236076000	TIMING VALVE TWIN WHEEL	1
31	77236013000	TIMING CHAIN	1
32	0625062022	BALL BEARING 6202 C0 2	1
33	77230058000	NEEDLE BEARING NK16/16	1
34	0472300120	CIRCLIP 30X1,2	1
35	81235055020	WATER PUMP ROTOR	1
36	61230045000	CAP NUT M6 STAINLESS STEEL	1
38	07601530451	SHAFT SEAL RING 15X30X4.5 BAUD	2
39	77735053000	WATER PUMP COVER GASKET	1
40	77735052000	WATERPUMP COVER	1
41	0025060256	HH COLLAR SCREW M6X25 TX30	2
43	0603061001	CU-SEAL RING DIN7603-6X10X1	1
44	0770010010	O-RING 10,00X1,00 NBR 70 SH	1
45	77236080000	% SCREW PLUG	1
46	77236072020	WEAR BUSHING WAPU	1

13773620

C158133621

* NEW PART

X ON DEMAND



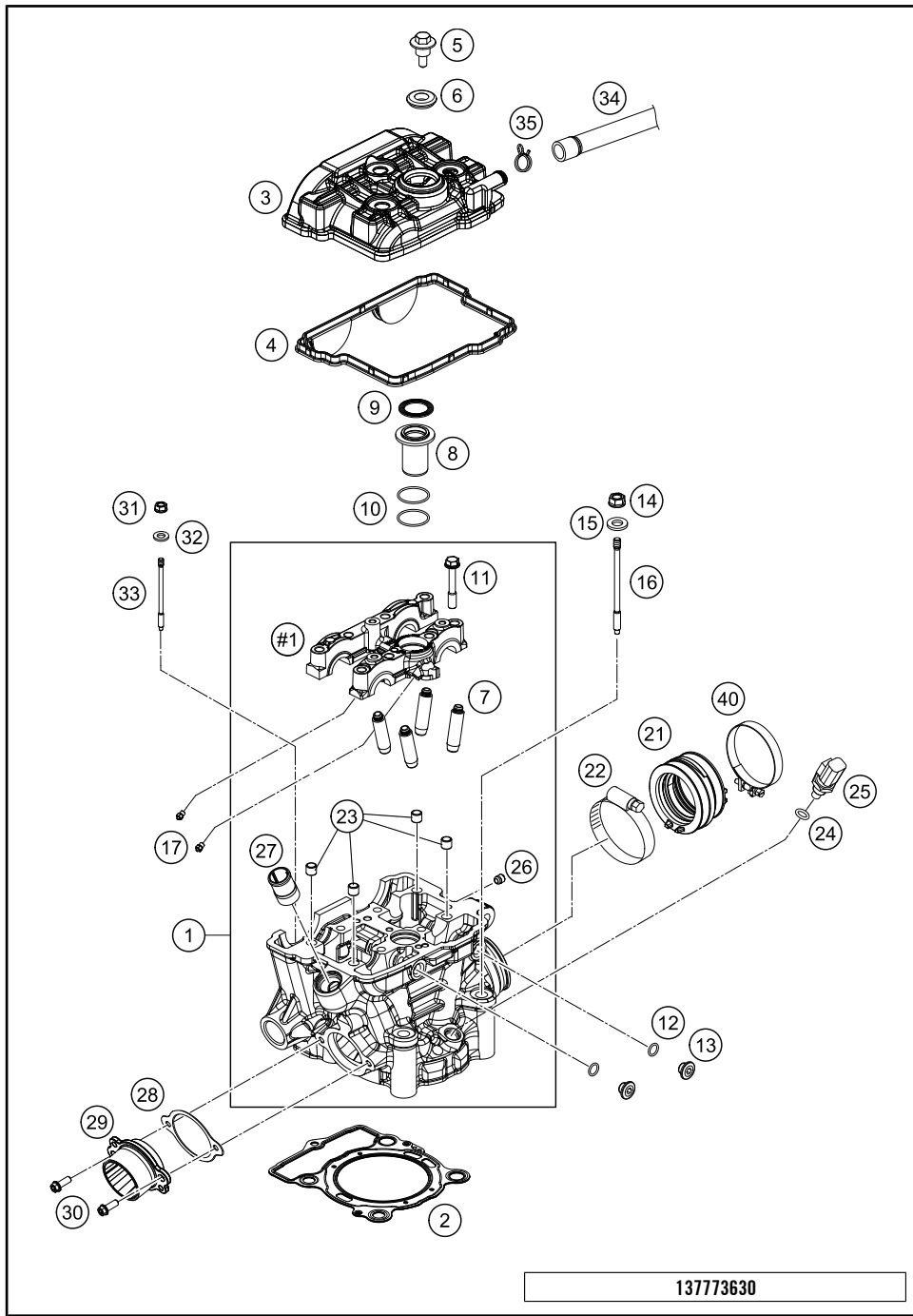
POS	PARTNUMBER	PARTNAME	PIECE
47	07700900151	O-RING 9x1,5 V80 SH	2
48	77236081000	ANGLE PIECE F. BREATHER SYSTEM	1
49	81235055110	DISC WATER PUMP	1
50	77536072033	BALANCER SHAFT CPL.	1
51	77235055010	WATER PUMP REP. KIT 11-14	x

137773620

C158133621

* NEW PART

X ON DEMAND



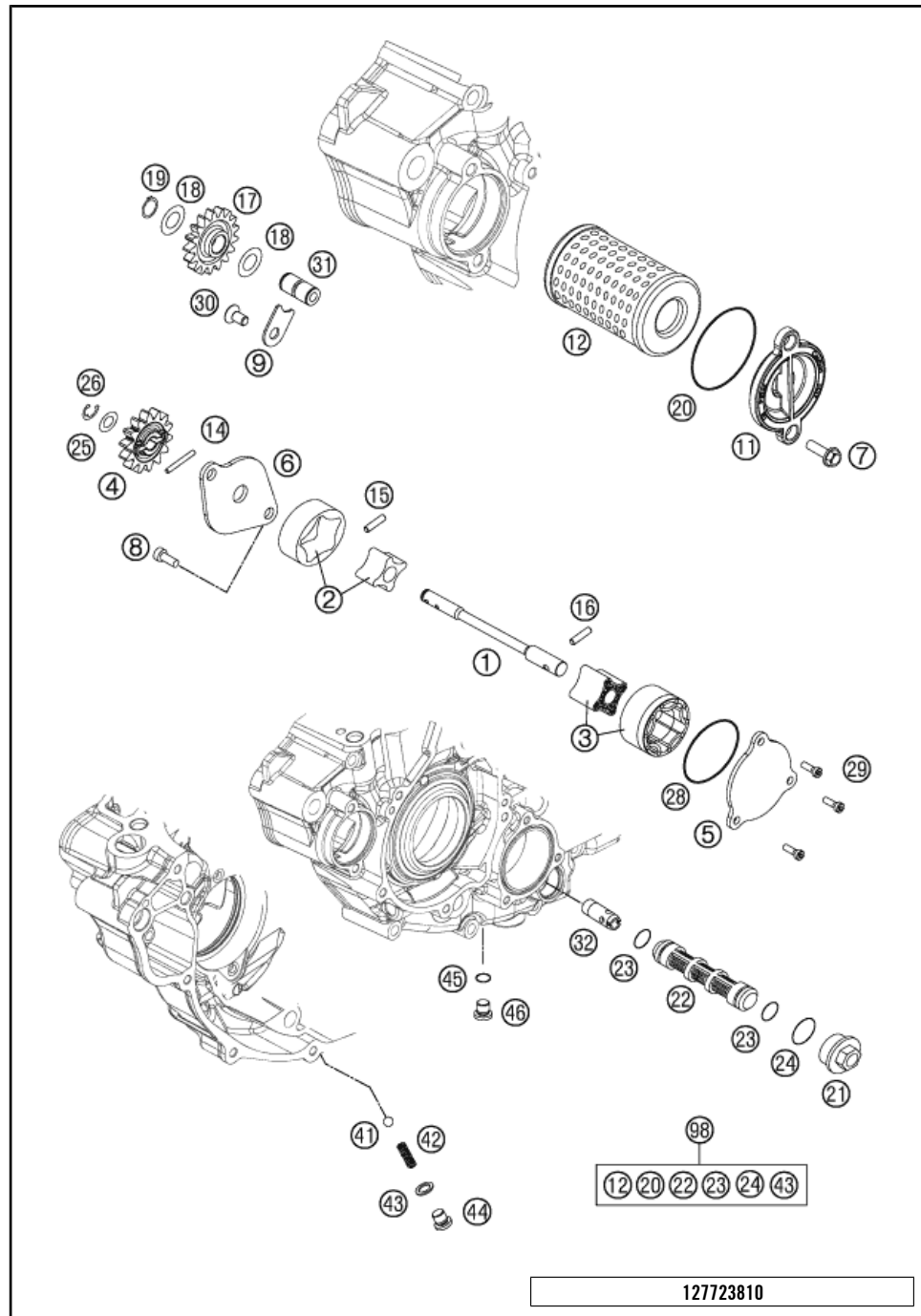
137773630

POS	PARTNUMBER	PARTNAME	PIECE
1	77736220044	CYLINDER HEAD CPL.	1
2	77730036085	CYLINDER HEAD GASKET	1
3	77736052000DA	VALVE COVER	1
4	77736053000	VALVE COVER GASKET	1
5	77336054150	VALVE COVER SCREW	3
6	77036054150	RUBBER GASKET FOR SCREW	3
7	77136026001	VALVE GUIDE OUTLET	4
8	77736075000	INSERT SPARK-PLUG SHAFT	1
9	77336053050	GASKET SPARK-PLUG SHAFT	1
10	0770260015	O-RING 1,5x26	2
11	77330067142	HH COLLAR SCREW M7X1X42	8
12	07700900151	O-RING 9x1,5 V80 SH	2
13	77236080000	% SCREW PLUG	2
14	77336088210	COLLAR NUT M10X1,25 SW13	4
15	77336089010	WASHER 19X10,5X2,5	4
16	77230044000	STUD SCREW M10X1,25	4
17	60030063050	OIL JET 50 05	4
21	77236044000	CONNECTION RUBBER EFI	1
22	61036047000	HOSE CLAMP GEMI 63MM 05	1
23	77036090000	DOWEL(BUSH BRIDGE)7/9/8 05	4
24	0770100020	O-RING 10,00X2,00 SILCONE	1
25	60011252000	TEMPERAT.-SENSOR WATER LC8 02	1
26	59030296000	SCREW PLUG	1
27	58030010200	SCREW IN NOZZLE M20X1,5	1
28	77236041000	GASKET EXHAUST FLANGE	1
29	77736039000	ENGINEFLANGE	1
30	0025060166S	HH COLLAR SCREW M6X16 ISA 30	2
31	77336088106	COLLAR NUT M6X1 SW8	1
32	0125060003	WASHER DIN0125-A 6,4	1
33	77330043000	STUD SCREW M6	1
34	77538087000	ENGINE BREATHER TUBE	1
35	58431082300	CLAMP YDNAC 10173 (18MM)	1
40	77236048000	HOSE CLAMP GEMI 58MM	1

C168133630

* NEW PART

X ON DEMAND

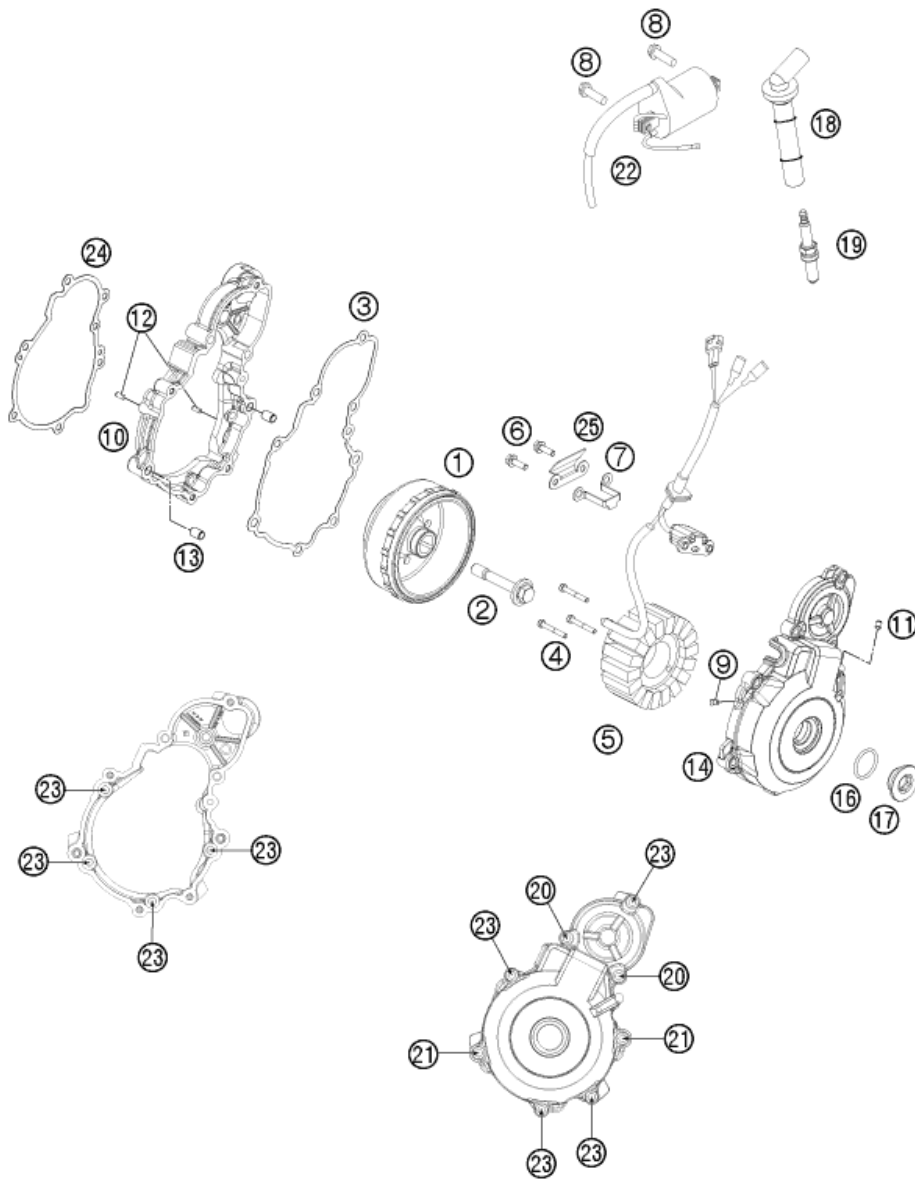


POS	PARTNUMBER	PARTNAME	PIECE
1	77238102000	OIL PUMP SHAFT	1
2*	59038011112	OILPUMP ROTOR-SET 12MM CPL.	1
3	61238111000	ROTOR-SET CPL. 22MM	1
4	77038001100	OIL PUMP GEAR 14T 08	1
5	78038004000	OIL PUMP COVER SUCTION PUMP	1
6	77238003100	OIL PUMP COVER R/S	1
7	0025060166	HH COLLAR SCREW M6X16 TX30	2
8	0984050123S	CYLIND. SCR. DIN6912 M5X12 8.8	2
9	77238061050	AXIAL-CIRCLIP	1
11	77338041200	OIL FILTER COVER 08	1
12	77338005100	OIL FILTER	1
14	0402251980	NEEDLEROL.DIN5402 NRA 2,5X19,8	1
15	0402251180	NEEDLE ROLLER DIN5402 2,5X11,8	1
16	0402041580	NEEDLE ROLLER NRB 4X15,8 G2	1
17	77038006100	OILPUMP IDLER GEAR 08	1
18	0988121805	SHIM WASHER DIN0988-12X18X0,50	2
19	0471120010	CIRCLIP DIN0471-12X1	1
20	07703305178	O-RING 33,05X1,78	1
21*	59038017100	PLUG M20X1,5 WS=13	1
22	59038016100	OIL SCREEN	1
23	07701250151	O-RING 12,5X1,5 VITON V75	2
24	0770020170	O-RING 17,17X1,78 GLO	1
25	58038007755	STOP DISK 8,1 X 15 X 0,5	1
26	0799060000	TAB WASHER DIN6799-RS 6,0	1
28	0770440020	O-RING 44,00X2,00 VITON	1
29	0984050163S	CYL. SCREW DIN6912 M5X16 8.8	3
30	0018050103	INT. TORX OVAL HEAD M 5X10 8.8	1
31	77038013100	BUSHING PIN	1
32	77038022000	OIL INTAKEPIPE	1
41	0401090003	BALL DIN5401-9	1
42	58038023300	PRESSURE SPRING L=25MM D=1MM	1
43	58038022000	CU-SEAL RING DIN7603-12X18X1,5	1
44	0908120153	PLUG DIN0908-M12X1,5	1
45	0770110015	O-RING 1,5X11 SILICON	1
46	78036081000	HOLDING BOLT M14X1,5	1
98	00050000083	OILFILTER-GASKET SET 350 SX-F	x

127723810

C168133810

* NEW PART X ON DEMAND



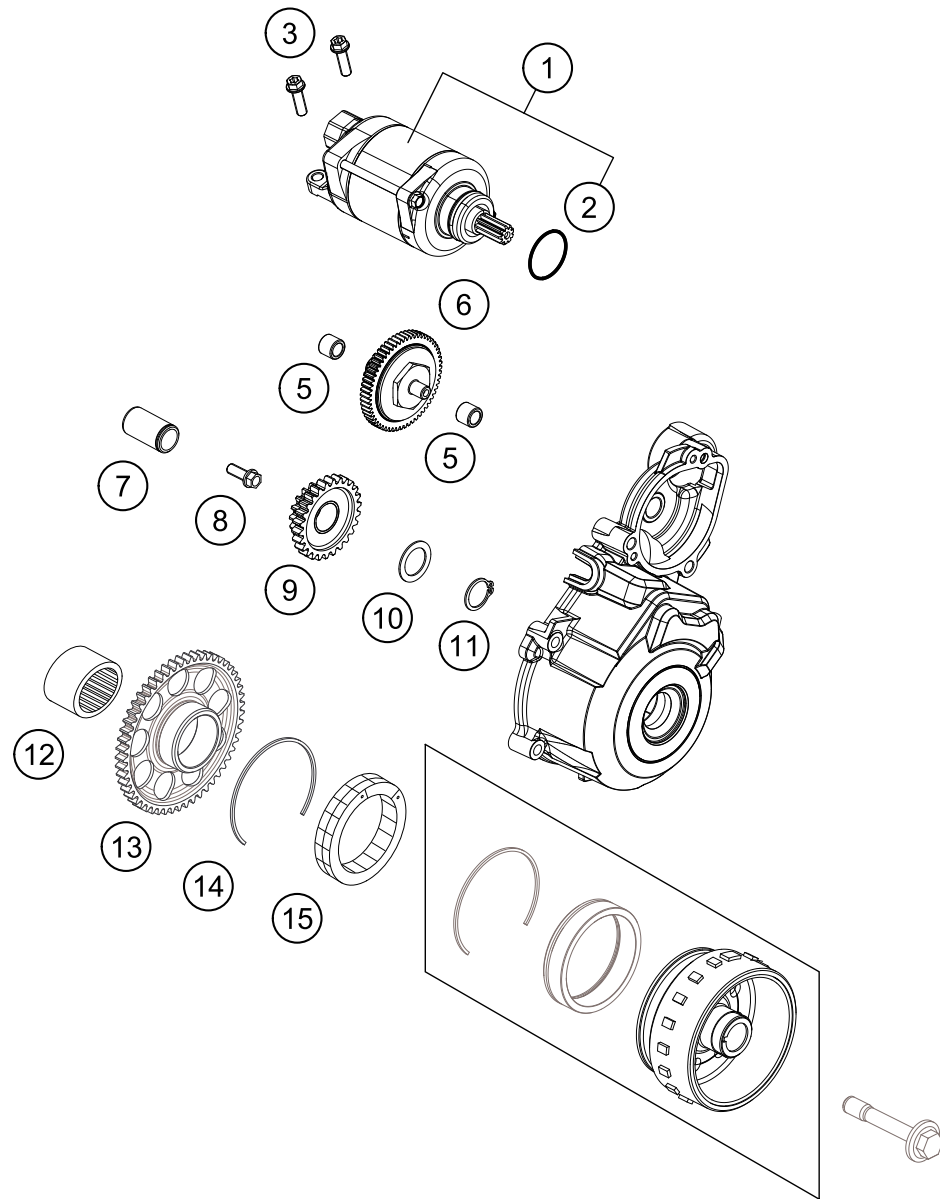
POS	PARTNUMBER	PARTNAME	PIECE
1	77539005144	ROTOR EFI CPL.	1
2	77339010100	FLYWHEEL SCREW	1
3	77530042000	IGNITION COVER GASKET	1
4	0912050303	AH SCREW DIN0912-M 5X30	3
5	77539004000	STATOR	1
6	0025050166	HH COLLAR SCREW M5X16 TX30	2
7	77530002050	CABLE TAB WASHER EXC	1
8	0026060186	COLLAR SCREW M6X18 ISA30	2
9	80030058060	OIL JET "60" M4	1
10	77530002000KA	INNER IGNITION COVER	1
11	0913050063	THREAD PIN DIN 913 M5X6	1
12	0402040980	NEEDLE ROL.DIN5402 NRB 4X9,8	2
13	59030023000	DOWEL 6X8X11,5	2
14	77530012000KA	OUTER IGNITION COVER	1
16	07700240251	O-RING 24X2,5 VITON	1
17	7723000206068	IGNITION COVER PLUG M24X1,5	1
18	77739090000	SPARK PLUG CONNECTOR	1
19	77839093000	SPARK PLUG NGK LMAR9AI-10	1
20	0025060506	HH COLLAR SCREW M6X50 TX30	2
21	0025060306	HH COLLAR SCREW M6X30 TX30	2
22	58439006000	IGNITIONCOIL IG3826 KOKUSAN'96	1
23	0025060256	HH COLLAR SCREW M6X25 TX30	8
24	77530040000	IGNITION COVER GASKET	1
25	77530002060	BRACKET	1

127753910

C148133913

* NEW PART

X ON DEMAND



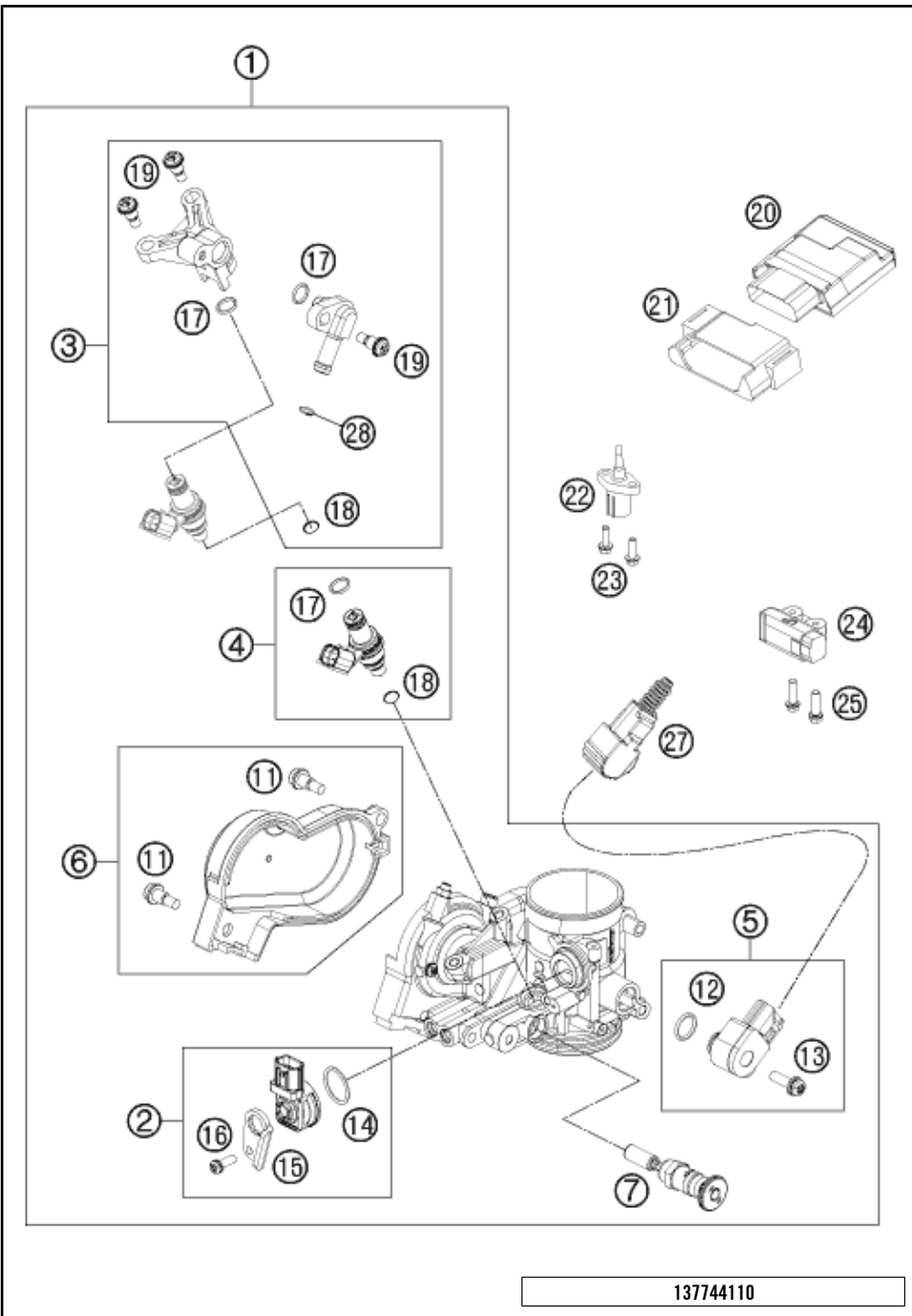
POS	PARTNUMBER	PARTNAME	PIECE
1	77240001100	E-STARTER ENGINE CPL.	1
2	0770250030	O-RING 25,00X3,00 NBR 70	1
3	0025060256	HH COLLAR SCREW M6X25 TX30	2
5	0618081210	NEEDLE BUSH HK 0810 DIN 618	2
6	77240016000	TORQUE LIMITER	1
7	59040028000	BUSHING PIN	1
8	0015060163	HH COLLAR SCREW M 6X16 WS=8	1
9	77240022000	INTERMEDIATE STARTING GEAR	1
10	54633090000	STOP DISK 17,2X25X1	1
11	0471170010	CIRCLIP DIN0471-17X1	1
12	0618253216	NEEDLE BUSH HK2516 25/32/16 02	1
13	77840020000	FREEWHEEL GEAR	1
14	0472057150	CIRCLIP DIN0472-57X1,50	1
15	80040026000	FREE WHEEL 03	1

147774010

C147774011

* NEW PART

X ON DEMAND



POS	PARTNUMBER	PARTNAME	PIECE
1	77141001000	THROTTLE BODY	1
2	81241085044	MAP SENSOR CPL. 09	1
3	81241013044	FUEL RAIL CPL. 09	1
4	77141023144	INJECTOR KIT CPL.	1
5	81241077044	TPS KPL. 09	1
6	81241056044	THROTTLE COVER CPL. 09	1
7	81241060000	STARTER VALVE COMP.	1
11	81241056020	SPECIAL SCREW AH	2
12	61041077010	O-RING THROTTLE POS. SENSOR	1
13	81241077030	SPECIAL SCREW	1
14	75041085010	O-RING	1
15	81241085020	PLATE 09	1
16	81241085030	SPECIAL SCREW	1
17	75041023020	O-RING 7,2x2,2	2
18	75041023010	SEAL RING	1
19	75041013010	SCREW SHOULDER	3
20	77741031000	ELECTRONIC CONTROL UNIT	1
21	77741031050	RUBBER BRACKET ECU	1
22	61041080000	AMBIENT-AIR TEMPERATURE SENSOR	1
23	0025050166	HH COLLAR SCREW M5X16 TX30	2
24	61041088000	ROLLOVER SENSOR 05	1
25	0025060206	HH COLLAR SCREW M6X20 TX30	2
27	77111014050	PROTECTION CAP TPS	1
28	77507017000	CLAMP ABA 14MM	1

137744110

C147774111

* NEW PART X ON DEMAND



3CM089337PEN



Husqvarna Motorcycles GmbH
Stallhofnerstraße 3 | 5230 Mattighofen | Austria
www.husqvarna-motorcycles.com

