

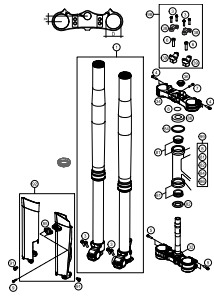
SPAREPARTSCATALOG

CHASSIS

ART.-NR.: 3CFF2475N8EN

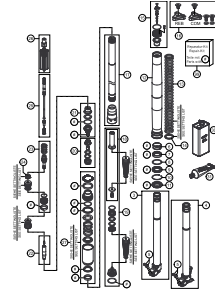
TE 300 US 2014

FRONT FORK, TRIPLE CLAMP



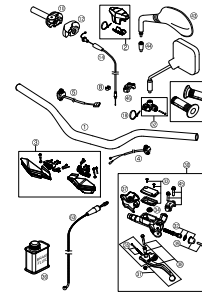
4

FRONT FORK DISASSEMBLED



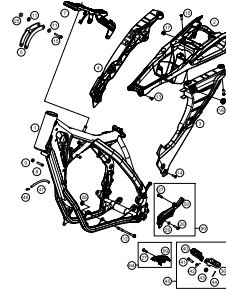
5

HANDLEBAR, CONTROLS



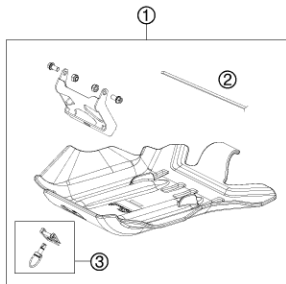
7

FRAME



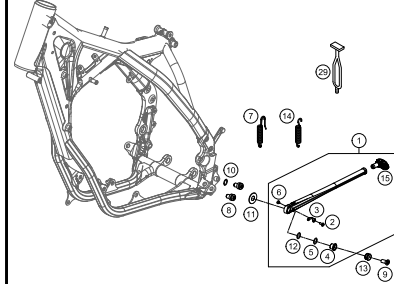
8

ENGINE GUARD



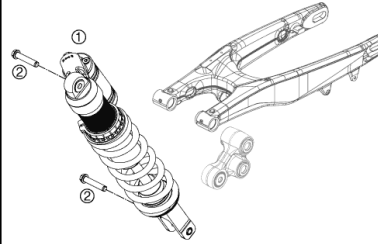
9

SIDE / CENTER STAND



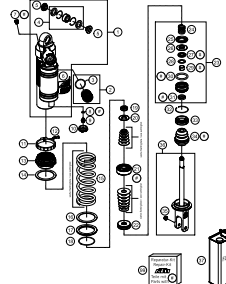
10

SHOCK ABSORBER



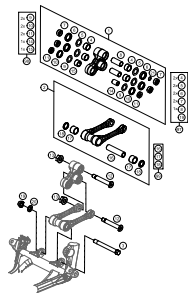
11

SHOCK ABSORBER DISASSEMBLED



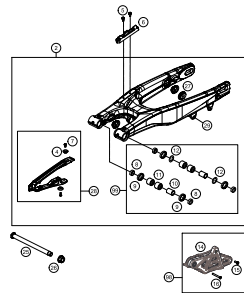
12

PRO LEVER LINKING



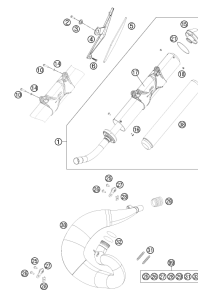
14

SWING ARM



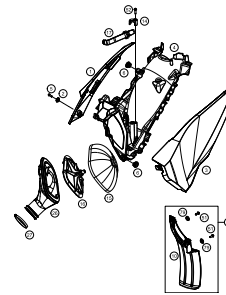
15

EXHAUST SYSTEM



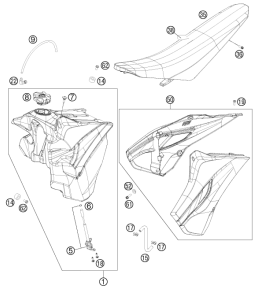
16

AIR FILTER



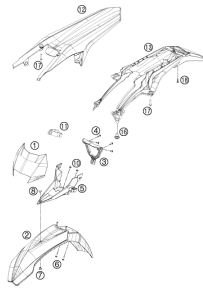
17

TANK, SEAT, COVER



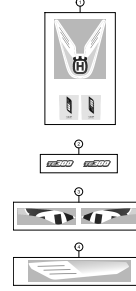
18

MASK, FENDERS



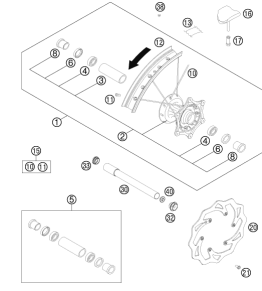
19

DECAL



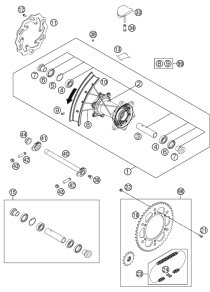
20

FRONT WHEEL



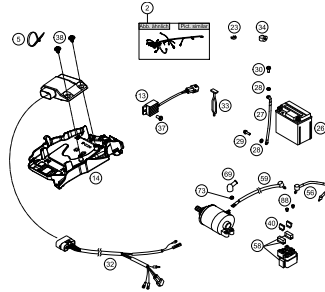
21

REAR WHEEL



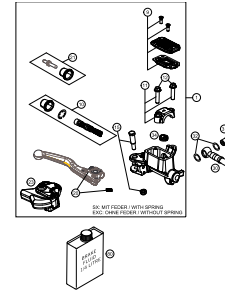
22

WIRING HARNESS



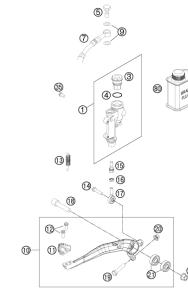
23

HAND BRAKE CYLINDER



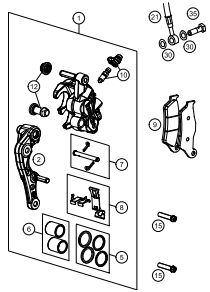
24

REAR BRAKE CONTROL



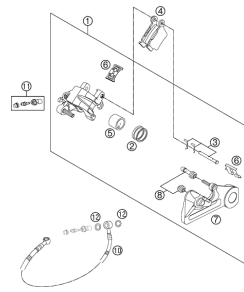
25

BRAKE CALIPER FRONT



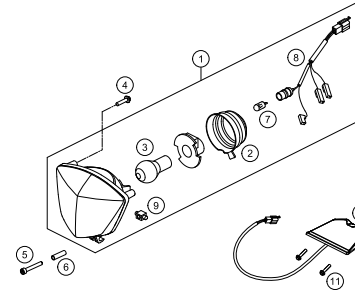
26

BRAKE CALIPER REAR



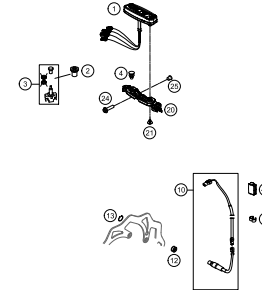
27

LIGHTING SYSTEM



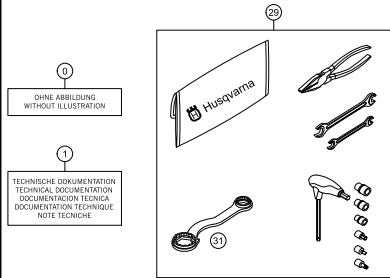
28

INSTRUMENTS / LOCK SYSTEM



29

ACCESSORIES KIT

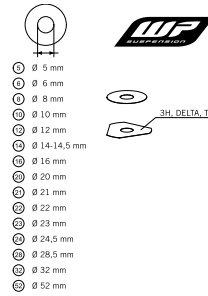


0
OHNE ABBILDUNG
WITHOUT ILLUSTRATION

1
TECHNISCHE DOKUMENTATION
TECHNICAL DOCUMENTATION
DOCUMENTACION TECNICA
DOCUMENTATION TECHNIQUE
NOTE TECHNIQUE

30

WP SHIMS FOR SETTING



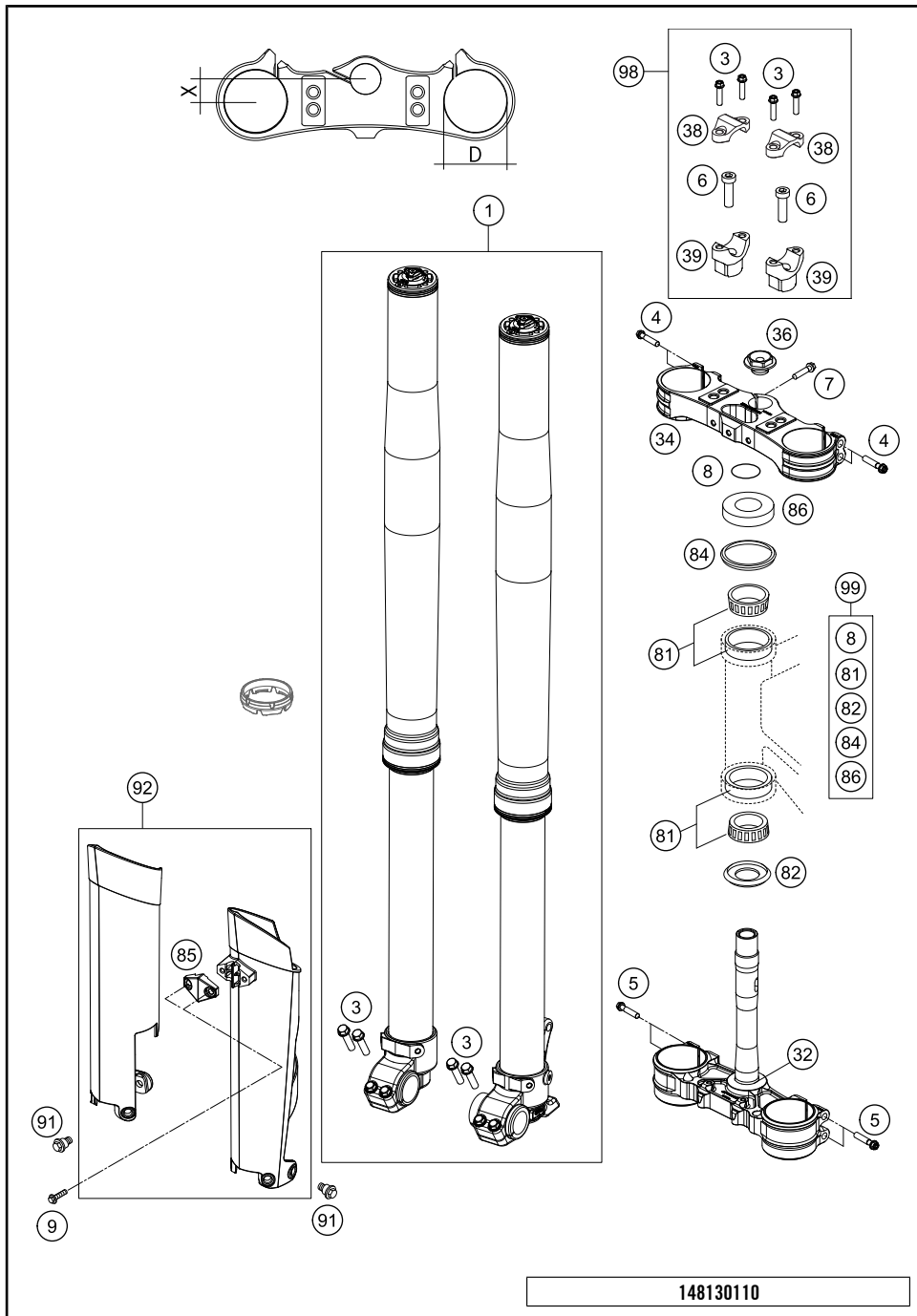
- ① Ø 5 mm
- ② Ø 6 mm
- ③ Ø 8 mm
- ④ Ø 10 mm
- ⑤ Ø 12 mm
- ⑥ Ø 14-14,5 mm
- ⑦ Ø 16 mm
- ⑧ Ø 20 mm
- ⑨ Ø 21 mm
- ⑩ Ø 22 mm
- ⑪ Ø 23 mm
- ⑫ Ø 24,5 mm
- ⑬ Ø 28,5 mm
- ⑭ Ø 32 mm
- ⑮ Ø 52 mm

31



All information contained is without obligation. HUSQVARNA MOTORCYCLES GmbH particularly reserves the right to modify any equipment, technical specifications, prices, colors, shapes, materials, services, service work, constructions, equipment and the like so as to adapt them to local conditions or to cancel any of the above items, all without previous announcement and without giving reasons. KTM may stop manufacturing certain models without previous notice. HUSQVARNA MOTORCYCLES shall not be held liable for any deviations of availability and/or ability to deliver, illustrations, descriptions, printing and/or other errors. The illustrated models partly contain extra equipment, which is not applied to standard models.

© by HUSQVARNA MOTORCYCLES GmbH, Mattighofen AUSTRIA; All rights reserved; Reprint, also in extracts, with written allowance of HUSQVARNA MOTORCYCLES GmbH, Mattighofen only.



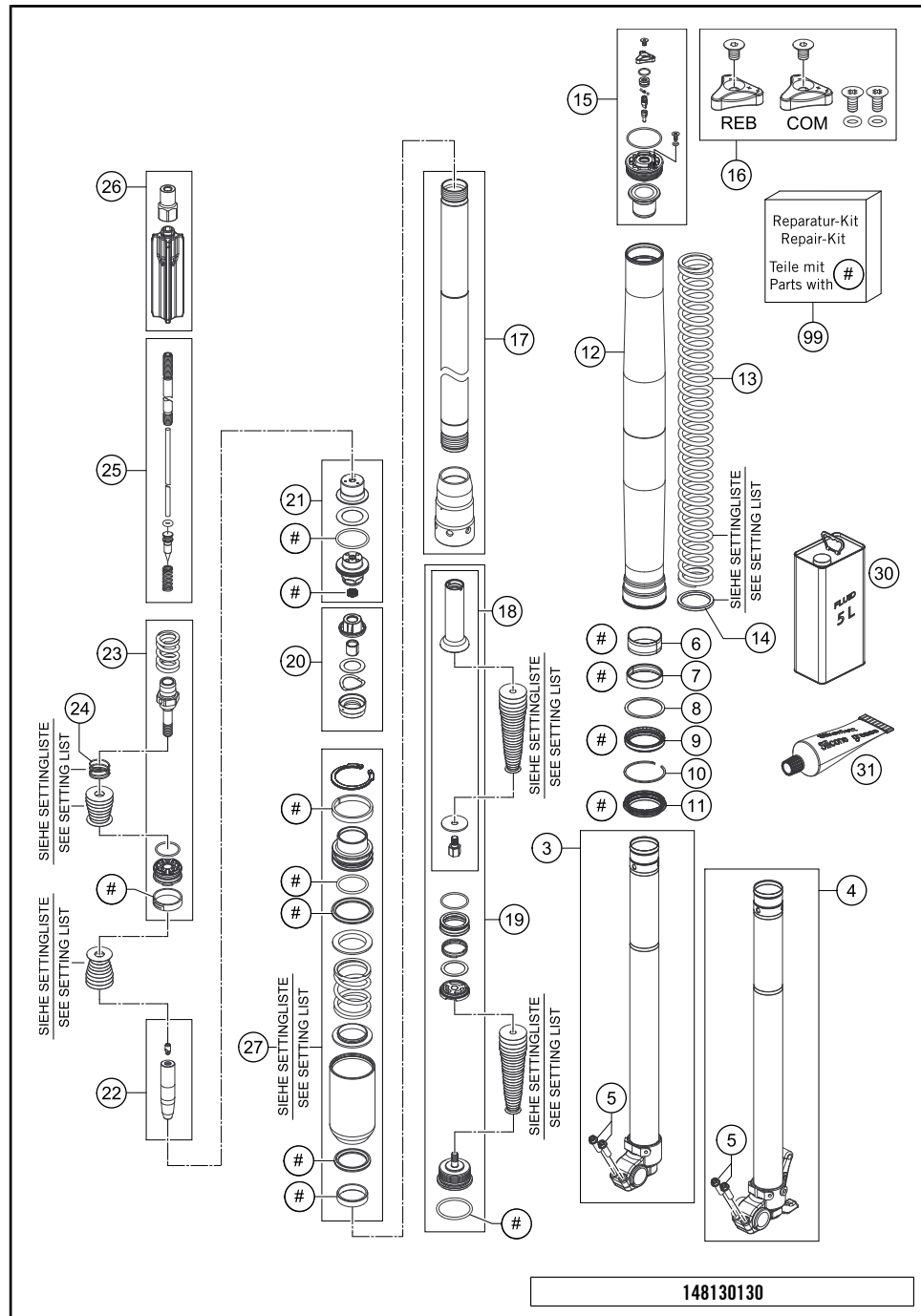
148130110

POS	PARTNUMBER	PARTNAME	PIECE
1	24187N6701	FORK 250/300 2014	1
3	0025080256	HH COLLAR SCREW M8X25 TX40	8
4	0025080406	HH COLLAR SCREW M8X40 TX40	4
5	0025080506	HH COLLAR SCREW M8X50 TX40	4
6	0032100356S	AH-COLLAR SCREW M10X35 ISA45	2
7	0025080256S	HH COLLAR SCREW M8X25 TX40	1
8	0770025035	O-RING 25X3,55 NBR70 05	1
9	0017060206	SCREW F. PLASTIC K60X20AL SW6	2
32	8130103202030	BOT.TRIPLE CLAMP CPL. X=20MM	1
34	7720103402030	TOP TRIPLE CLAMP X=20MM BLACK	1
36	54801036000	STEER.HEAD SCREW M20X1,5 WS=27	1
38	77201038000	HANDLEBAR CLAMP 28MM	2
39	59401039032	HANDLEB.SUPP. D=28MM H=32MM 05	x
39	59401039037	HANDLEB.SUPP. D=28MM H=37MM 05	2
39	59401039042	HANDLEB.SUPP. D=28MM H=42MM 05	x
81	54201081100	TAPERED ROLLER BEARING CPL. 06	2
82	54601084100	O-RING SUPPORT W. SEALING LIP	1
84	54601184000	STEERING HEAD GASKET TOP	1
85	78001085000DA	CLAMP FOR SPEED CABLE D=6MM 08	1
86	78101086000	STEERING HEAD COVER	1
91	59001092050	SPECIAL SCREW M6X12,5 WS=8	6
92	78001094200DA	FORK PROTECTION L/S+R/S 2014	1
98	00050000921	HANDLEBAR SUPPORT KIT D28/H37	x
99	00050000930	STEERING HEAD REP. KIT 06-14	x

C148130114

* NEW PART

X ON DEMAND

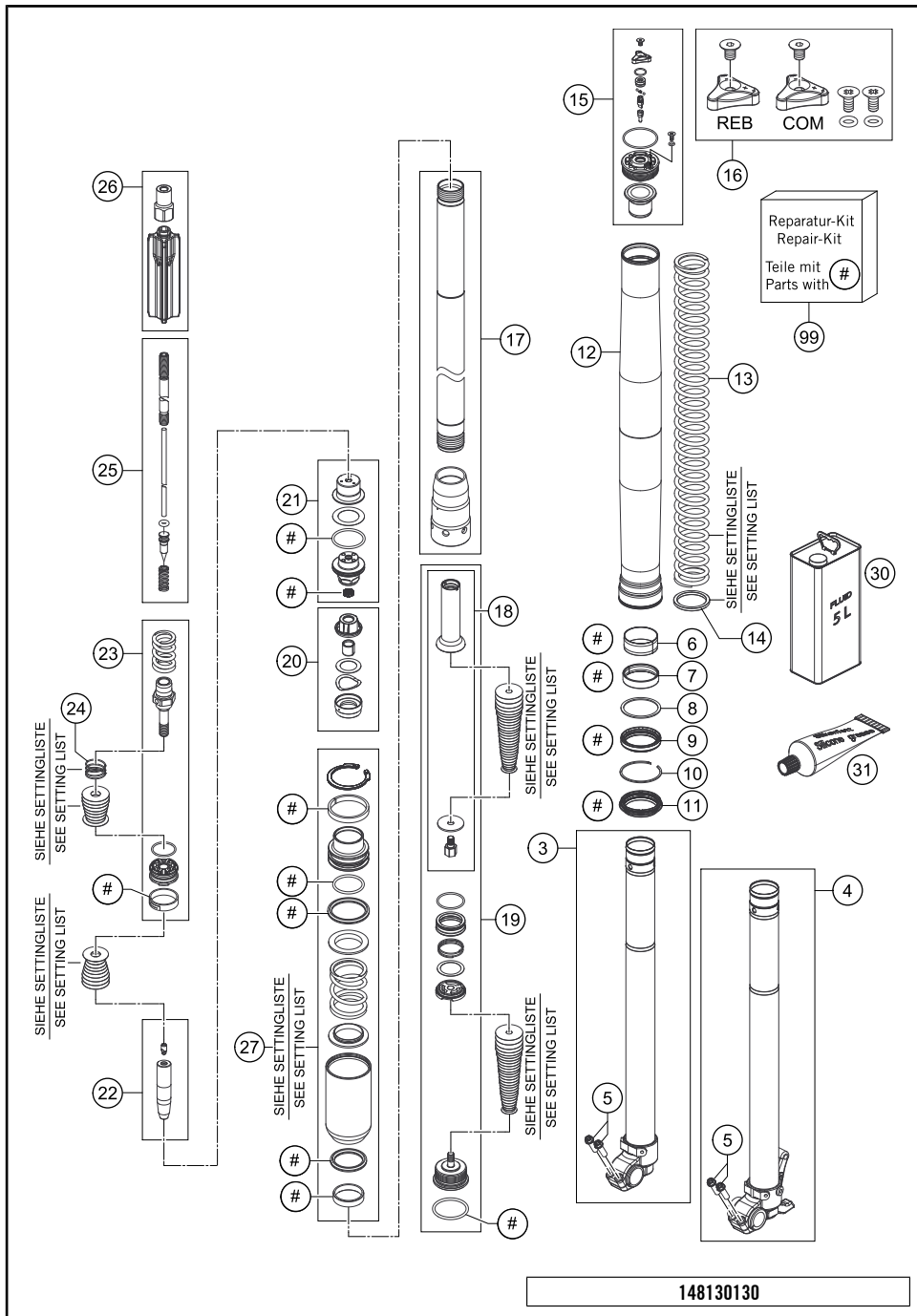


POS	PARTNUMBER	PARTNAME	PIECE
3	48601029S1	AXLE CLAMP R/S WITH INNER TUBE	1
4	48601028S1	AXLE CLAMP L/S WITH INNER TUBE	1
5	0025080256	HH COLLAR SCREW M8X25 TX40	4
6	48601008	GUIDING BUSH 47X49X20 R11	2
7	48601009	GUIDING BUSH 48X52X12 R11	2
8	48600013	SUPPORT RING 50 X 57,6 X 1,5	2
9	48601179	OIL SEALRING D48X57,9X11,4 RED	2
10	48600070	LOCK WASHER SB58	2
11	48601178	DUST SEAL DL48X58,4X5,7 RED	2
12	48600736	OUTER TUBE L577 D54/60MM 2L	2
13	91410081S	SPRING D43,8 L465 3,6N/MM SET	x
13	91410082S	SPRING D43,8 L465 3,8N/MM SET	x
13	91410083S	SPRING D43,8 L465 4,0N/MM SET	x
13	91410084S	SPRING D43,8 L465 4,2N/MM SET	x
13	91410085S	SPRING D43,8 L465 4,4N/MM SET	x
13	91410086S	SPRING D43,8 L465 4,6N/MM SET	x
13	91410092S	SPRING D43,8 L465 4,8N/MM SET	x
14	48600456	SPACER 43X35X2,5	x
14	48600458	SPACER 43X35X1,5	x
15	48601116S	SCREW CAP M51X1,5 COMP. KPL	1
15	48601050S	SCREW CAP M51X1,5 REB. KPL.	1
16	R14033	SCREW CAP SMALL PART KIT	1
17	48601031S	CARTRIDGE KIT	2
18	R14034	HYDROSTOP KIT	2
19	48601279S	BASE VALVE KIT	2
20	48601025S1	CHECK VALVE D21 CPL.	2
21	R14035	SCREW SLEEVE KIT	2
22	48601123S	NEEDLE KIT	2
23	R14036	TAP KIT	2
24	48600382	SHUTTLE VALVE SPRING C=0,4	2
25	48601054S	PISTON ROD CPL.	2
26	48601035S	SPRING GUIDE CPL.	2
27	48601021S	PRESSURE TANK L74,5 D36 S CPL.	x
27	48601021S2	PRESSURE TANK L74,5 D36 S2 CPL	x
27	48601021S3	PRESSURE TANK L74,5 D36 S3 CPL	x
27	48601021S4	PRESSURE TANK L74,5 D36 S4 CPL	x
27	48601021S5	PRESSURE TANK L74,5 D36 S5 CPL	x
30	48601166S1	FORK OIL SAE4 5L	1

148130130

C148130131

* NEW PART X ON DEMAND

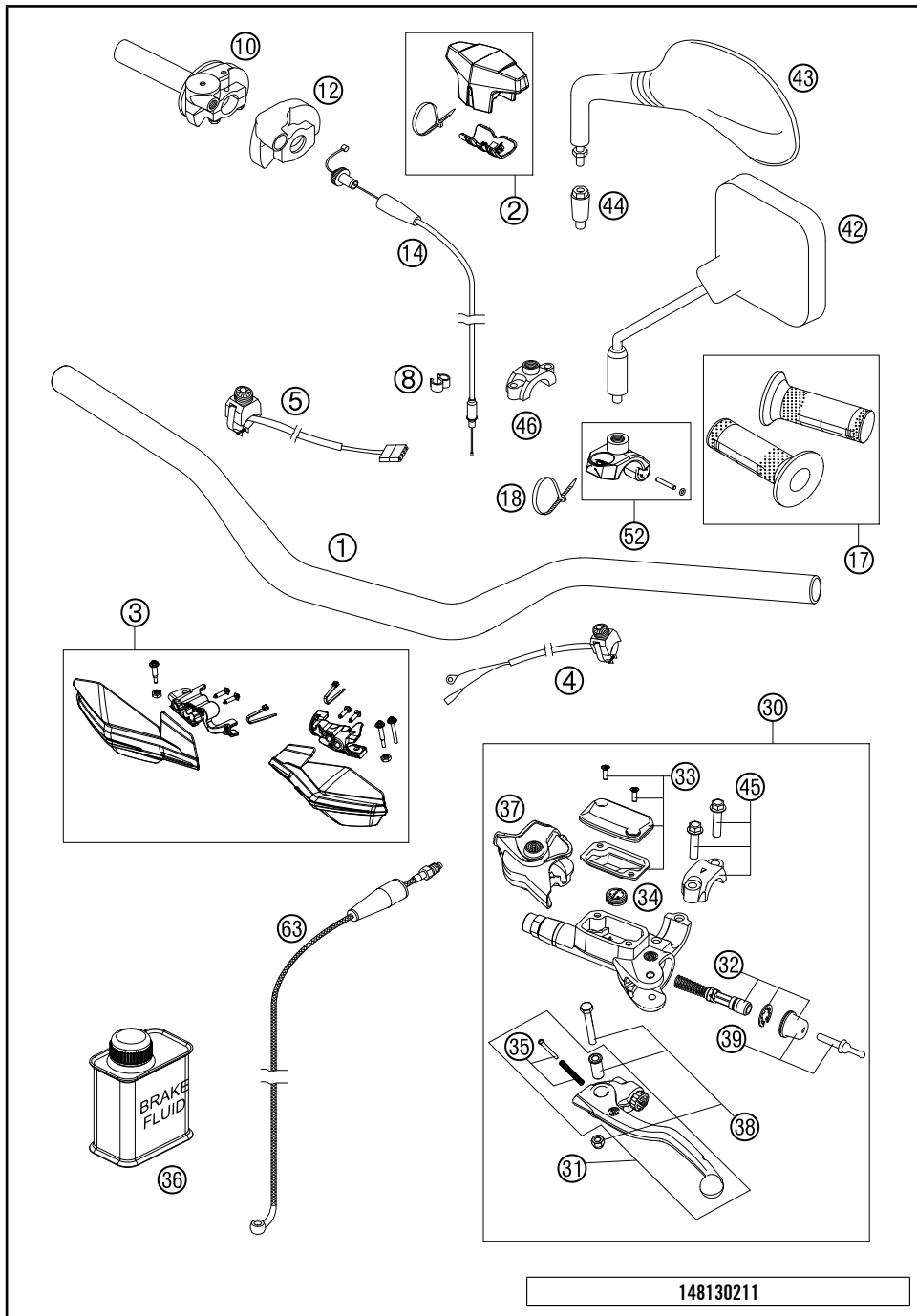


POS	PARTNUMBER	PARTNAME	PIECE
31	T511	SILICONE GREASE F. DUST STRI	1
99	R24001	REPAIR - KIT	X

148130130

C148130131

* NEW PART X ON DEMAND



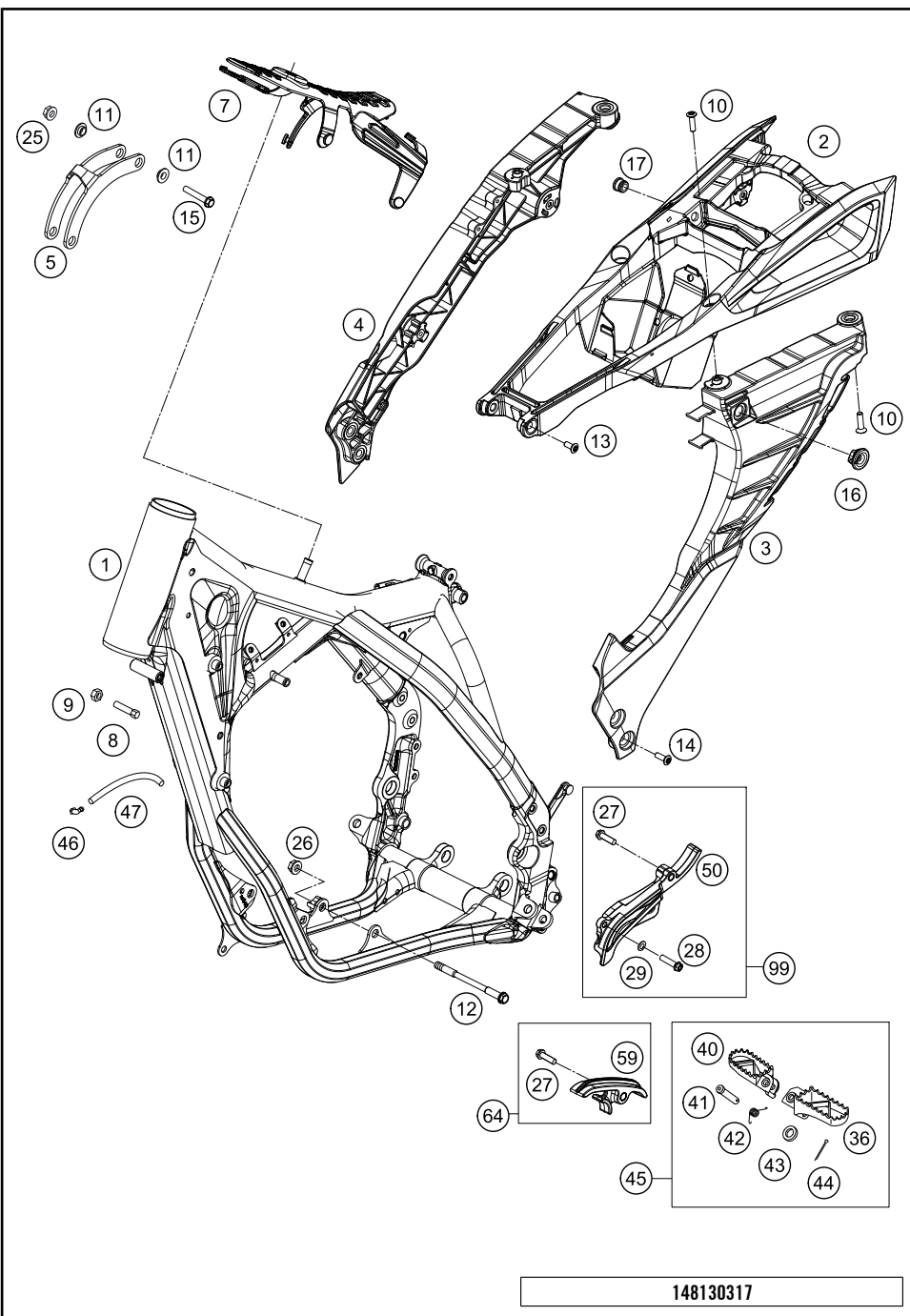
POS	PARTNUMBER	PARTNAME	PIECE
1	7800200100017	HANDLEBAR D=28MM	1
2	80302602044	BAR PAD CPL.	1
3	7770207900028	HANDGUARDS CPL. L+R WHITE	1
4	50311089200	SHORT CIRCUIT BUTTON 02	1
5	78111074000	STARTER BUTTON GREY 13	1
8	60111094000	CLAMP 5/7 MM 06	2
10	51502010200	THROTTLE GRIP CPL. 2ST. 13	1
12	50302020000	PROTECTION COVER '97	1
14	51502091100	THROTTLE CABLE 2T.DOM/KEIH. 13	1
17	80302021000	GRIP SET BLACK/WHITE	1
18	44011076200	CABLE TIE 200/3,6MM BLACK	1
30	54802030144	MASTER CYLINDER CPL.	1
31	54802031000	CLUTCH LEVER CPL. BREMBO 06	1
32	54802032000	REP. KIT PISTON 06	1
33	5480200310030	COVER HYD. CLUTCH CPL. 2014	1
34	54802051000	VALVE	1
35	54802052000	BOLT KPL.	1
36	00062030000	BRAKE FLUID DOT5.1 0,25L	1
37	54802037000	PROTECTION CAP 06	1
38	54802038100	LEVER SCREW CPL. 06	1
39	54802046000	PUSH ROD CPL.	1
42	58012040000	REAR MIRROR L/S	x
42	58012140000	REAR MIRROR R/S	x
43	58412040000	MIRROR L/S 98	x
43	58412041000	MIRROR R/S 98	x
44	58412040050	SUPPORT FOR MIRROR LC4 '98	x
45	54802005100	CLAMP CPL. 06	x
46	58012040150	CLAMP FOR MIRROR '94	x
52	50302044000	CLAMP FOR MIRROR CPL. 09	x
63	54832063000	CLUTCH PIPE 06	1

148130211

C148130223

* NEW PART

X ON DEMAND



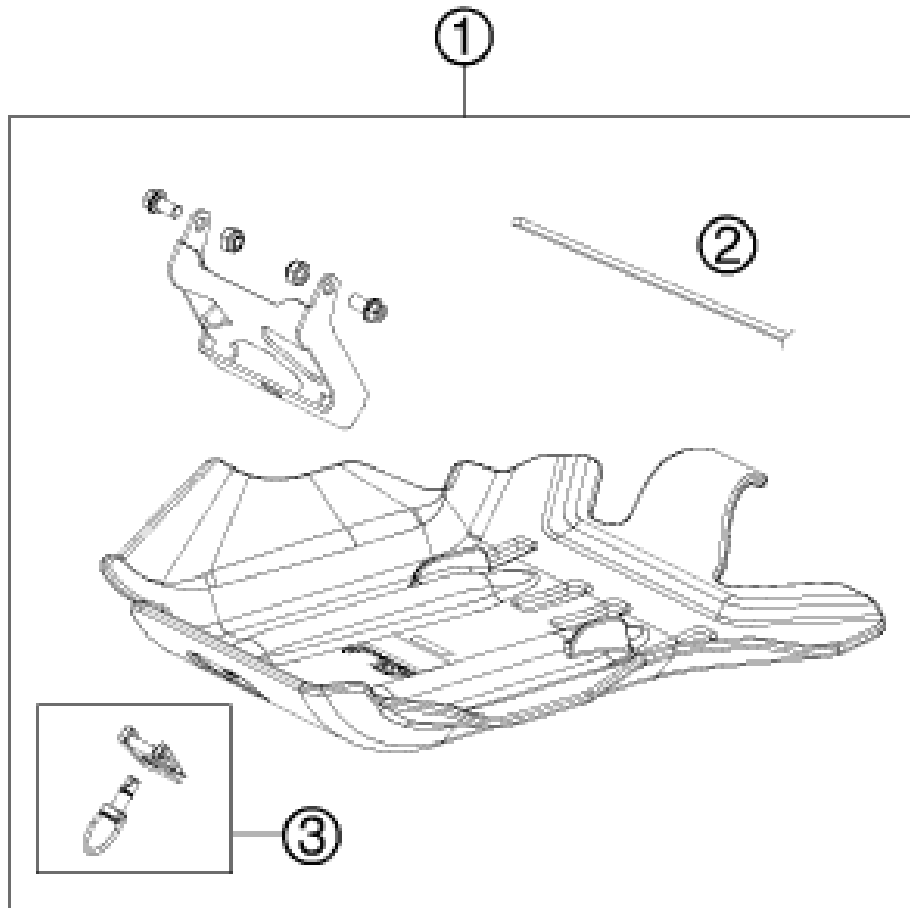
POS	PARTNUMBER	PARTNAME	PIECE
1	8030360110028	FRAME 250/300 TE USA 2014	1
2	8130300211030	SUB FRAME UPPER PART CPL. 14	1
3	8130300212030	SUB FRAME L/S CPL. 2014	1
4	8130300213030	SUB FRAME R/S CPL. 2014	1
5	54803513100	REINFORCING B. 250 EXC 12	1
7	77207012000	TANK REST RUBBER	1
8	59001037000	SPECIAL SCREW M8X26 WS=10	2
9	0934080003	HEXAGON NUT DIN0934-M 8	2
10	0019080306S	COUNTER-SUNK SCREW ISA45 M8X30	4
11	54803013050	BUSHING F.REINFORCING	4
12	54603013000	ENGINE BRAC.SCR. M10X105 WS=13	2
13	0035080306S	AH-COLLAR SCREW M8X30 ISA45	2
14	0035080206S	AH-COLLAR SCREW M8X20 ISA45	4
15	56530079000S	HH COLLAR SCREW M8X44 WS13	2
16	47106003160	QUICK CONNECTOR CLUTCH	3
17	81303002011	SPACER BUSHING 12X9X6,2	2
25	06923080003	HEXAGON NUT DIN EN1661 M8 SW13	2
26	54310086100	SELF LOCKING NUT M10 CU WS=14	2
27	0025080306	HH COLLAR SCREW M8X30 TX40	2
28	0025060306	HH COLLAR SCREW M6X30 TX30	1
29	0125060003	WASHER DIN0125-A 6,4	1
36	78003040050	FOOTREST L/S 08	1
40	78003041050	FOOTREST R/S 08	1
41	54803044000	BOLT FOR FOOT PED 03	2
42	54603041000	FOOTREST SPRING L/S & R/S	2
43	0125100003	WASHER DIN0125-A10,5	2
44	0094032253	PIN DIN0094-3,2X25 STEEL	2
45	78003040033	FOOTREST L/S + R/S CPL. 09	1
46	50303089000	ANGLE PIECE '97	2
47	55007016001	PVC-HOSE 7X10 PER METER	0
50	54803096000	SPROCKET COVER 250 SX 07	1
59	77203053000	CHAIN SLIDING PIECE BELOW	1
64	77203053010	CHAIN SLIDING KIT BELOW CPL.11	1
99	54803096010	SPROCKET COVER KIT	1

148130317

C148130321

* NEW PART X ON DEMAND

POS	PARTNUMBER	PARTNAME	PIECE
1	54803190100	SKID PLATE PLASTIC CPL.	1
2	78103190030	SHIMSTRIPE 1000X11X3	1
3	59003090350	QUICK RELEASE 03	1

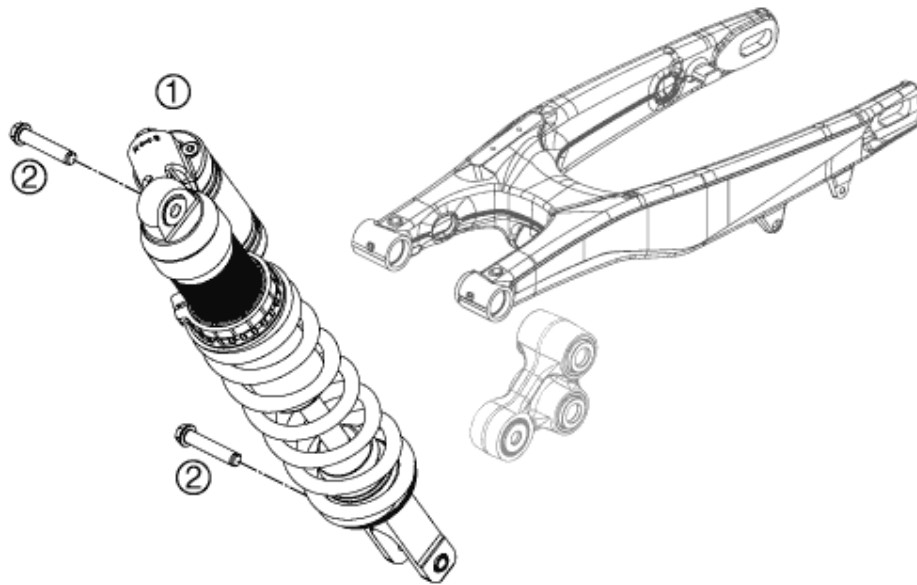


135480330

C138130331

* NEW PART

X ON DEMAND



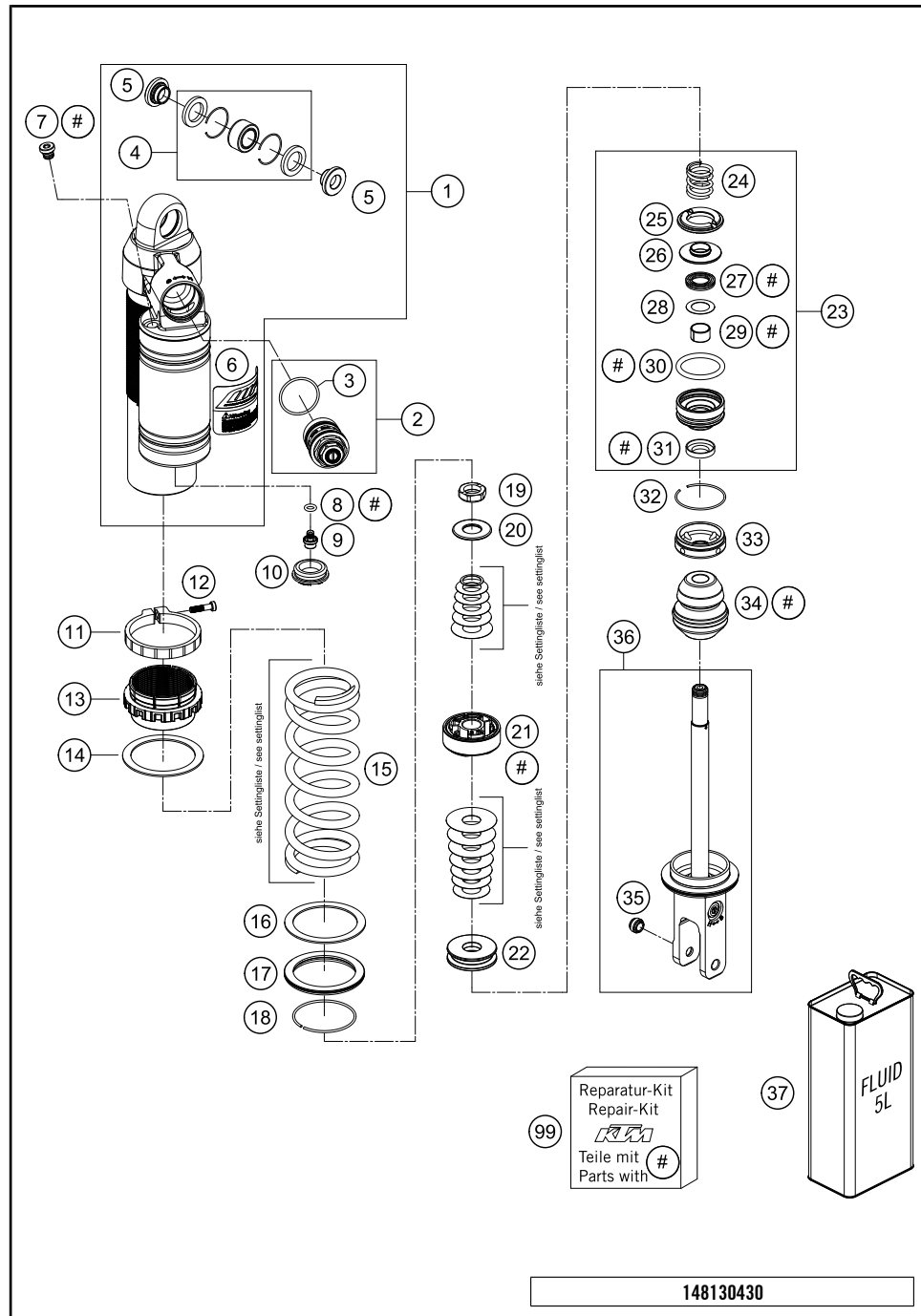
POS	PARTNUMBER	PARTNAME	PIECE
1	18157N6301	MONOSHOCK 250/300 TE LINK 2014	1
2	77204089000	HH COLLAR SCREW M10X52 SW13	2

117710410

C148130413

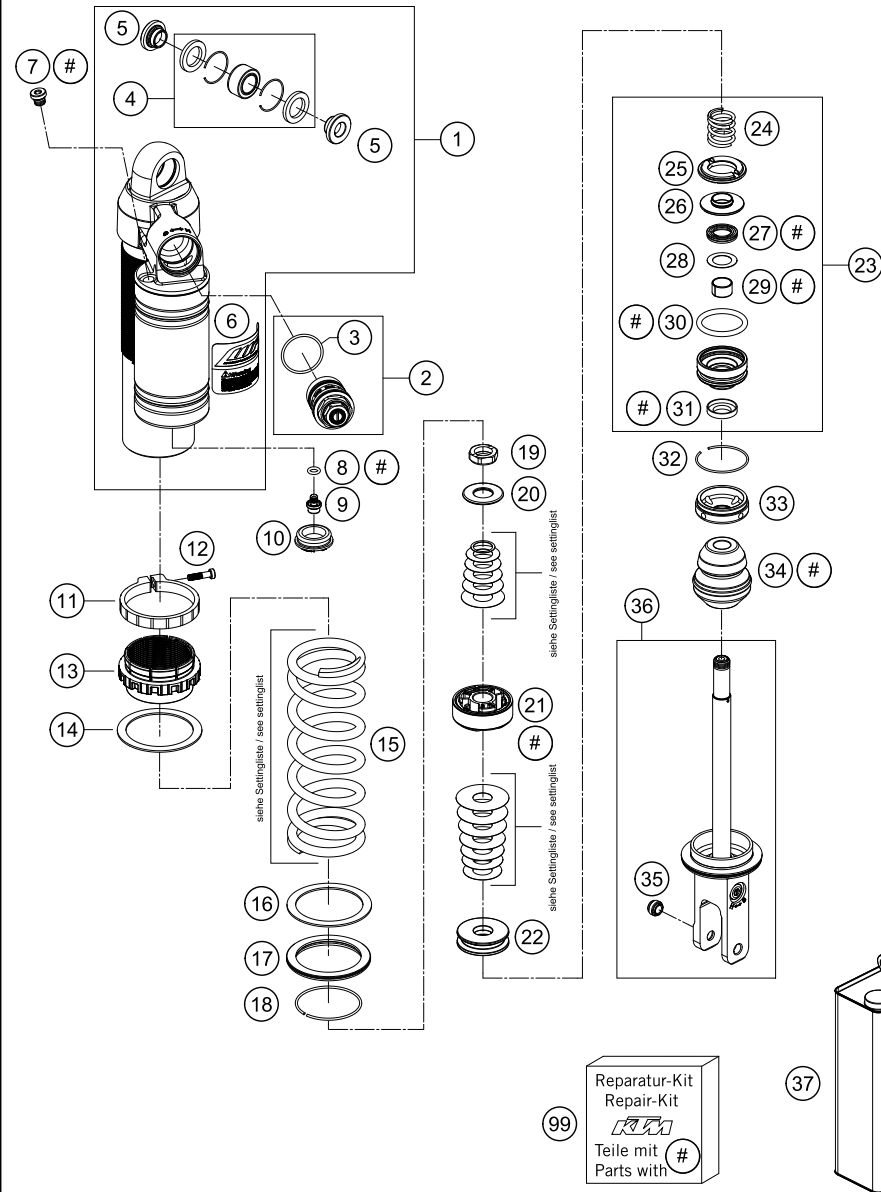
* NEW PART

X ON DEMAND



POS	PARTNUMBER	PARTNAME	PIECE
1	50180944S1	MONOSHOCK UPPER PART CPL.	1
2	50180213S15	DCC COMPR.DAMP.CON. SX 12 LINK	1
3	50180218	* O-RING 25X1,5 VITON	1
4	R12012	REP. KIT BEAR./SEAL UP. 07	1
5	46180010	BUSH KGW 10X24	2
6	52000087	STICKER WP MONOSHOCK	1
7	50180095	BLEED PLUG R 1/8	1
8	46810893	O-RING NBR 5,28X1,78	1
9	36120151	SCREW PLUG M5X6	1
10	46811208	RUBBER CAP "DO NOT OPEN"	1
11	50180937	TENSIONING RING D64 H10	1
12	14460042	%ALLENHEAD SCREW M5 L=20 STAIN	1
13	50180938	ADJUSTING NUT PLASTIC	1
14	50180965	SPACER RING SPRING 61,3X78X3	1
15	91210102S	SPRING 260 51 N/MM	x
15	91210103S	SPRING 260 54 N/MM	x
15	91210104S	SPRING 260 57 N/MM	x
15	91210105S	SPRING 260 60 N/MM	x
16	50180793	SPACER RING ADJUSTING NUT	1
17	50180824	VALVE SPRING D80 CLOSED	1
18	50180273	CIRCLIP 58,2X2	1
19	50180141	PISTON ROD NUT M16X1	1
20	50180836	REBOUND DISC 16X34 T2 H0	1
21	50180786S	PISTON D50	1
22	50180801	REBOUND DISC D16X43 H8	1
23	50180603SA	ADAPTER D50 H28 CPL.	1
24	50180780	REBOUND SPRING	1
25	50180798	REBOUND RUBBER	1
26	50180800	SPRING RING	1
27	50180605S	SEAL D18X30X5 08	1
28	50180604	SHIM D29,75 X D19 X T0,4 08	1
29	46180119	DU-BUSH 18X20X12	1
30	50180103	O-RING 41X5	1
31	50180606	DUST SEAL 1828 08	1
32	50180126	CIRCLIP 53X1,75	1
33	50180626	RESERVOIR CAP D=50 H=10 09	1
34	50181077	BUMP RUBBER	1
35	46811205	ADAPTOR-BUSH M10x1,50, D=15	1

* NEW PART X ON DEMAND



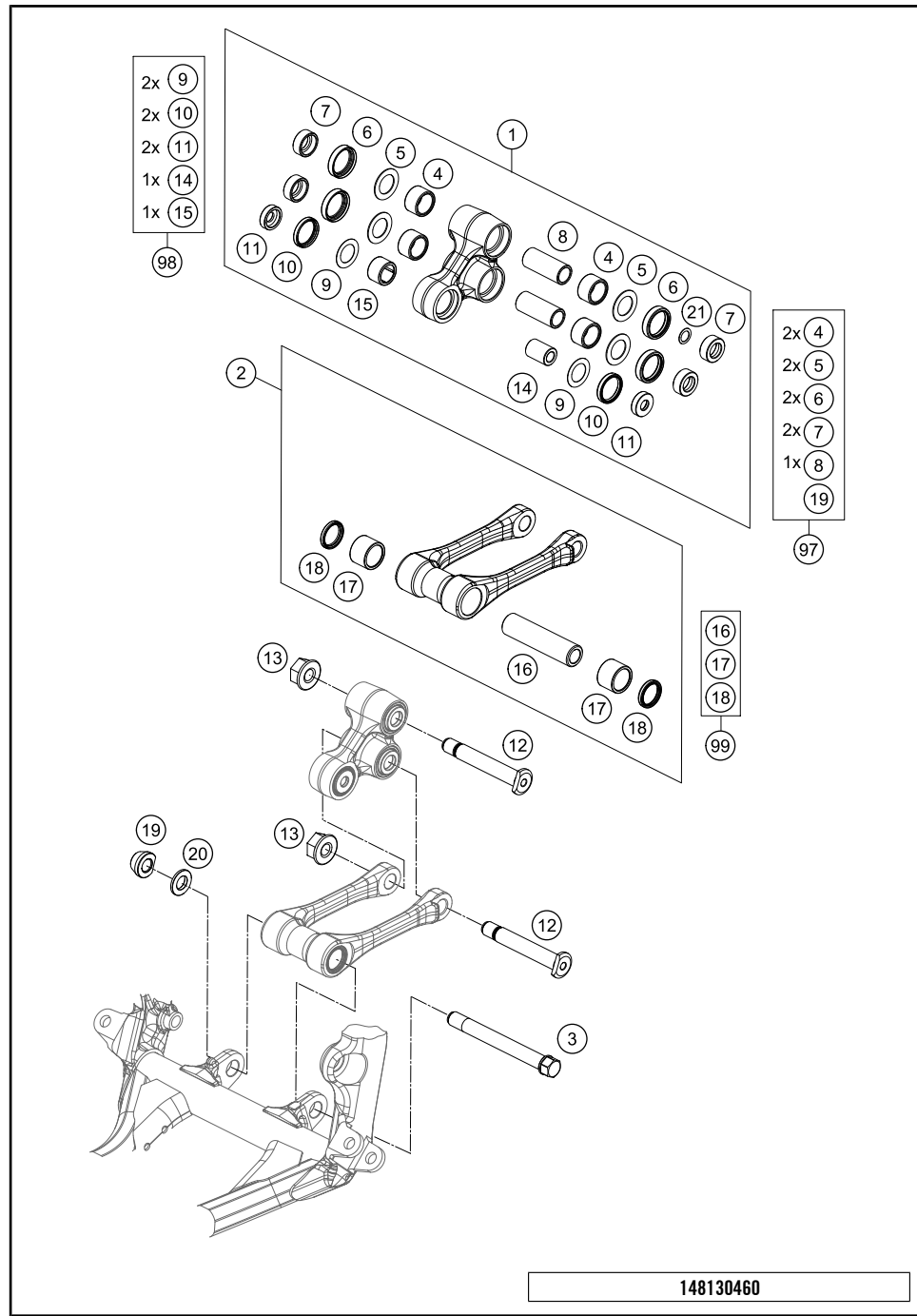
POS	PARTNUMBER	PARTNAME	PIECE
36	50180773SA	MONOSHOCK BOTTOM PART CPL.	1
37	50180751S1	SHOCK ABSORBER FLUID 5 LT	1
99	R12022	REPAIR KIT	X

148130430

C148130431

* NEW PART

X ON DEMAND



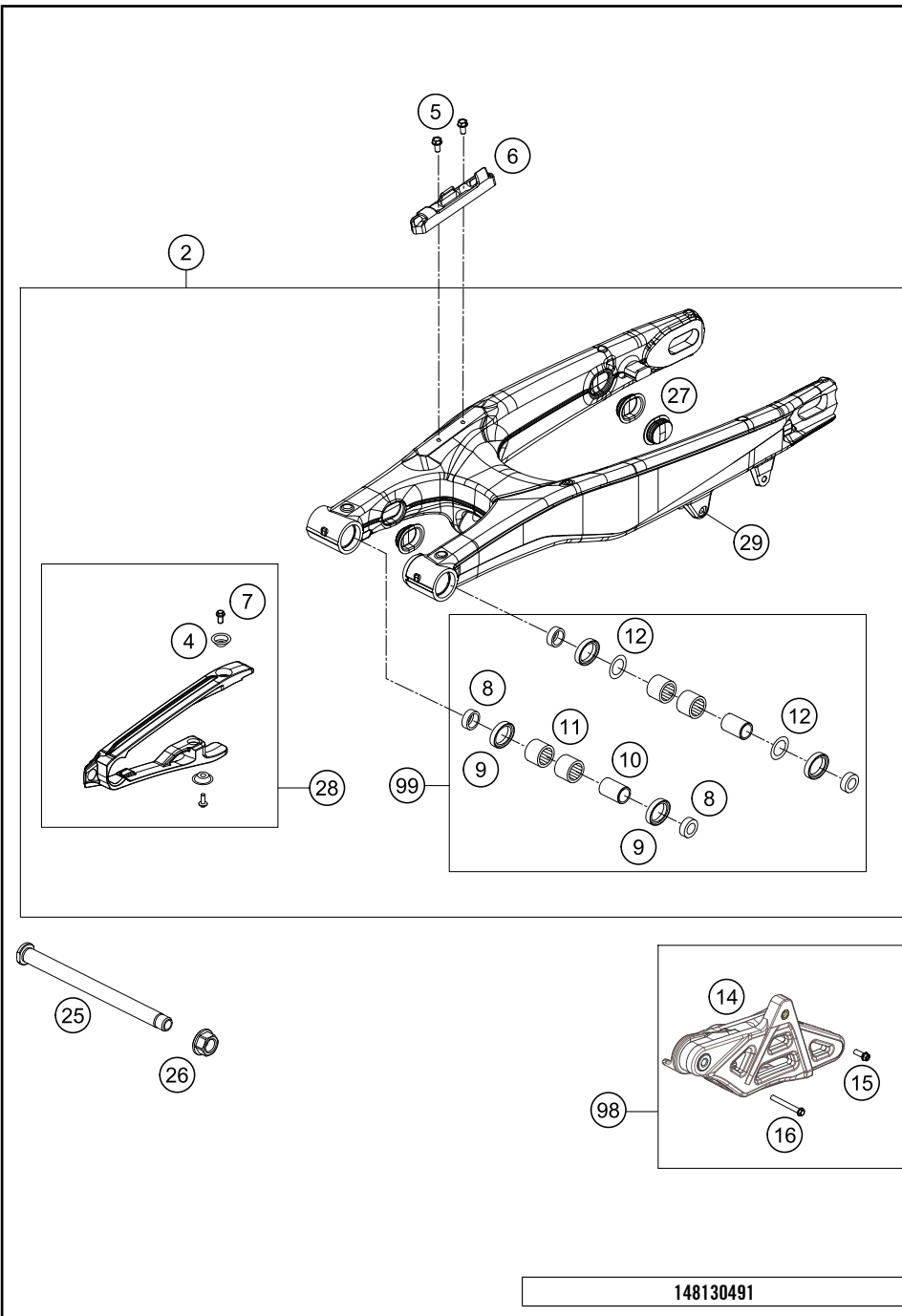
148130460

POS	PARTNUMBER	PARTNAME	PIECE
1	7720408004401	TRIANGLE LEVER CPL.	1
2	7720408304401	PULL ROD CPL.	1
3	77404084000	BOLT TIE-ROD BEARING M14	1
4	54603097000	NEEDLE BUSH HK 2016	4
5	59033080000	SHIM 20X32X1	4
6	0760253270	SHAFT SEAL RING 25X32X7	4
7	77204080030	BUCKET FOR SHAFT SEAL RING	4
8	54603081000	BUSHING SLEEVE 15 X 20 X 48	2
9	50180604	SHIM D29,75 X D19 X T0,4 08	2
10	0760243050	SHAFT SEAL RING 24X30X5	2
11	77204080020	BUCKET FOR SHAFT SEAL RING	2
12	77204085000	BOLT FOR CANTILEVER M14	2
13	77204087000	HEX NUT M14X1.5 SW17	2
14	77204080010	BEARING SLEEVE 10X18X25,5	1
15	0618182416	NEEDLE BUSH HN1816 RS 18/24/16	1
16	77204084010	BEARING SLEEVE	1
17	0618222820	NEEDLE BEARING HK2220 22X28X20	2
18	0760222841	SHAFT SEAL RING G22x28x4	2
19	77404084020	NUT TIE-ROD BEARING	1
20	77404084010	WASHER TIE-ROD BEARING M14	1
21	54603090010	STEEL WASHER 15,2X19X0,1	x
21	54603090020	STEEL WASHER 15,2X19X0,2	x
21	54603090030	STEEL WASHER 15,2X19X0,3	x
97	77204080110	TRIANGLE LEVER REP. KIT REAR	x
98	77204080090	TRIANGLE LEVER REP. KIT FRONT	x
99	77204083010	PULL ROD REP. KIT SX/SX-F	x

C148130460

* NEW PART

X ON DEMAND



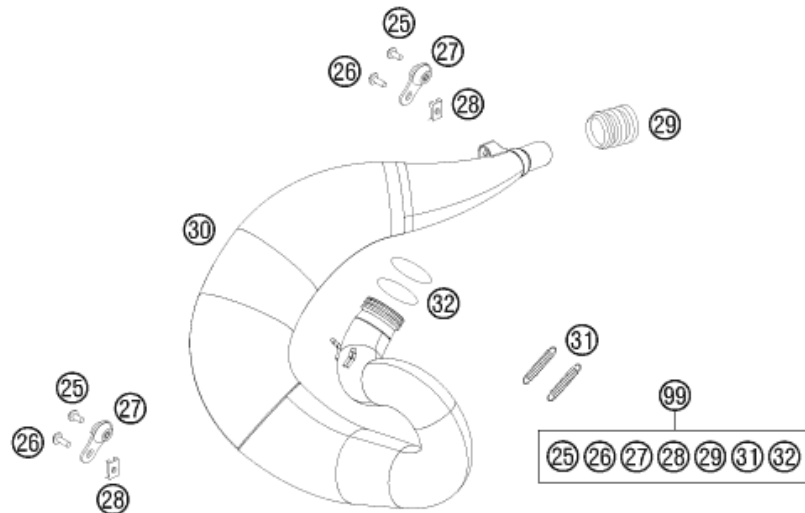
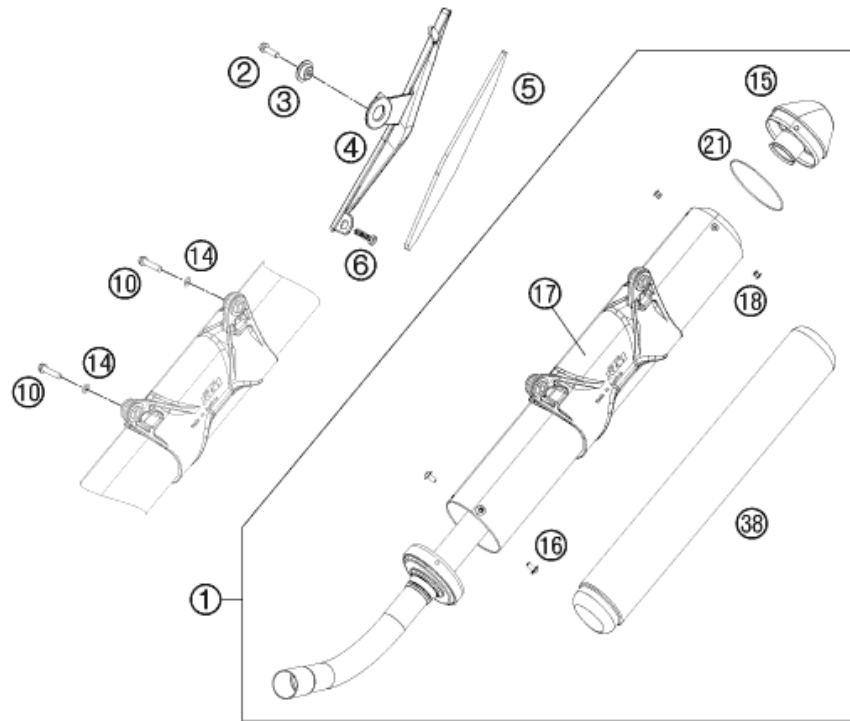
POS	PARTNUMBER	PARTNAME	PIECE
2	77204030044	SWINGARM CPL. 11	1
4	77304066050	BUSHING F. CHAIN SLIDING PR.07	2
5	0009050106	EJOT SPIRAL SCREW SF M5X10-K	2
6	76504042000	BRAKE LINE GUIDE 08	1
7	59009062013	SPECIAL SCREW M6X13 WS=8 10.9	2
8	54804034000	BUCKET F. SHAFT SEAL RING 03	4
9	0760253270	SHAFT SEAL RING 25X32X7	4
10	54804032000	BUSHING SLEEVE F. SWING ARM 03	2
11	58033097000	NEEDLE BEARING HK 2216	4
12	54603036000	STOP DISK 22,2X31,7X1	2
14	78104070100	CHAIN GUIDE EXC	1
15	59009062019	SPECIAL SCREW M6X19 WS=8 10.9	1
16	0025060456	HH COLLAR SCREW M6X45 TX30	1
25	77304037000	SWINGARM BOLT M16X1,5 07	1
26	54804038000	SELF LOCK.NUT M16X1,5 WS=19 03	1
27	77204041000	CLOSING COVER	4
28	77204066010	CHAIN GUARD CPL. 11-14	1
29	54603055051	PRESS IN NUT M6 STEEL ZINC	1
98	78104070010	CHAIN GUIDE KIT EXC 14	x
99	54804230210	SWINGARM REPAIR KIT 05-14	x

148130491

C148130496

* NEW PART

X ON DEMAND



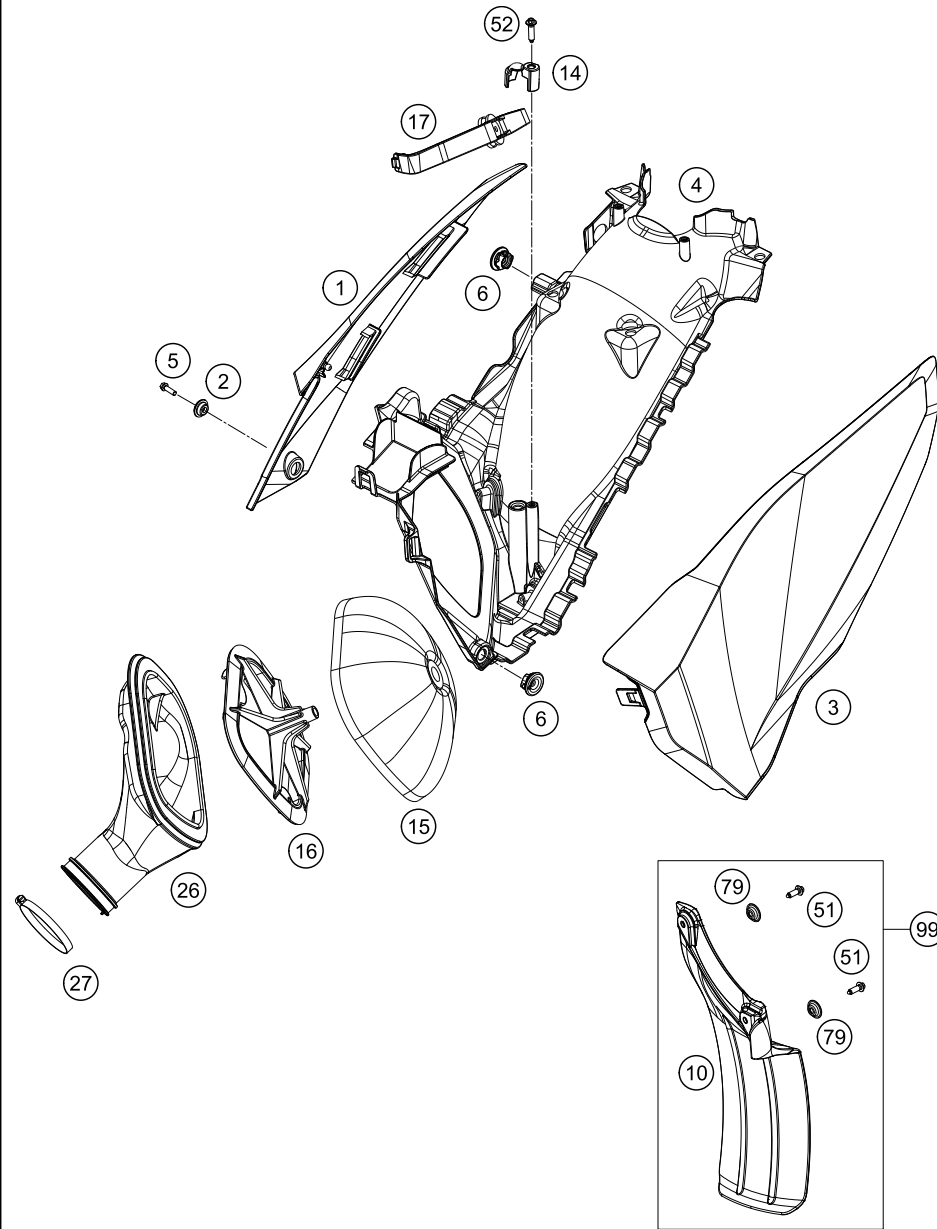
138130512

POS	PARTNUMBER	PARTNAME	PIECE
1	54805083200	MAIN SILENCER 250-300 EXC	1
2	0025060206	HH COLLAR SCREW M6X20 TX30	1
3	77308013010	COLLAR BUSH. F.REAR FENDER 07	1
4	8130501100030	HEAT SHIELD BLACK	1
5	81305011050	THERMAL PROTECTION FOIL	1
6	0080060123	SCREW M6X12 ISA30	1
10	0025060306	HH COLLAR SCREW M6X30 TX30	2
14	0137060003	SPRING WASHER DIN0137-B 6	2
15	54805083260	ENDCAP CPL.	1
16	58605083010	SCREW TORX M5X10 05	4
17	54805183085	SILENCER HOUS. CPL. W. HANGING	1
18	0011480800	DUMMY RIVET 4,8X 8 NIRO	4
21	0770740015	O-RING 74,00X1,50 FKM 75SH	1
25	0024060106	HH COLLAR SCREW M6X10 TX30	2
26	0024060156	HH COLLAR SCREW M6X15 TX30	2
27	50305012000	SWINGELEMENT FOR EXHAUST PIPE	2
28	54603048100	RANGE CHANGE METAL NUT M6	2
29	50205057000	SILICON SLEEVE D=29/31MM	1
30	54805107000	EXHAUST MANIFOLD	1
31	50305016000	TEN.SPRING L=62MM EY.MOVEABLE	2
32	0770440030	O-RING 44,00X3,00 VITON	2
38	54805078310	% ROCKWOOL PREFOMED	1
99	00050000811	EXHAUST HARDWARE KIT 11-14	x

C148130517

* NEW PART

X ON DEMAND



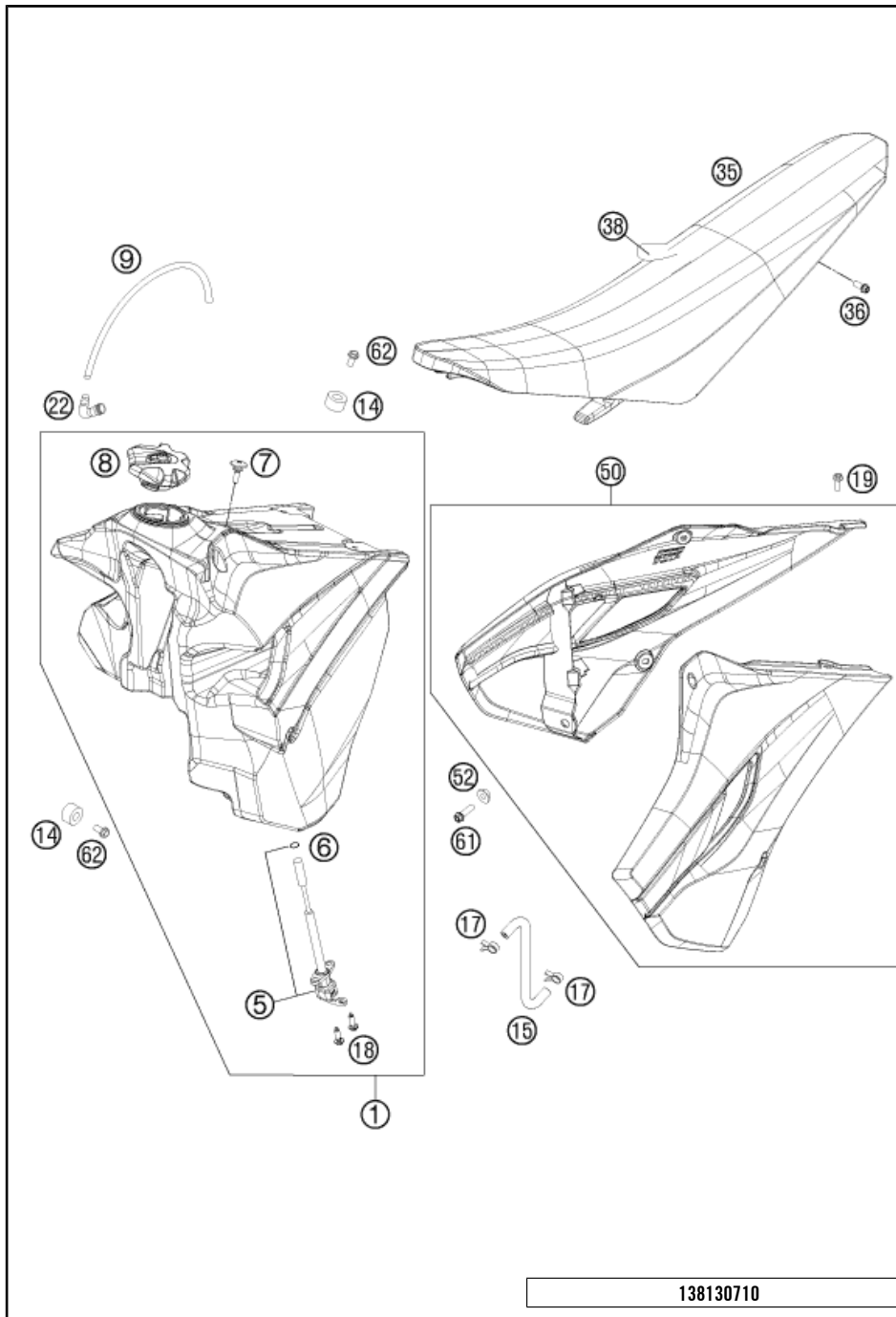
POS	PARTNUMBER	PARTNAME	PIECE
1	8130600400028C	FILTER BOX COVER R/S 2014 WITH DECAL	1
2	77308013010	COLLAR BUSH. F.REAR FENDER 07	1
3	8130600300028C	FILTER BOX COVER L/S 2014 WITH DECAL	1
4	8130610100030	FILTER WALL 2-STROKE	1
5	0025060206	HH COLLAR SCREW M6X20 TX30	1
6	47106003160	QUICK CONNECTOR CLUTCH	2
10	77306010000	FENDER FOR FILTER BOX	1
14	81306001010	FIXING CAP	1
15	77206015000	AIR FILTER	1
16	54806516000	FILTER CARRIER	1
17	81306017000	FILTER SUPPORT CPL.	1
26	54806626000	CARBURETOR CONNECTING	1
27	51006027000	HOSE CLAMP 50-70MM	1
51	0017060206	SCREW F. PLASTIC K60X20AL SW6	2
52	0017060255	EJOT PT SCREW K60X25-Z SW6	1
79	77304066050	BUSHING F. CHAIN SLIDING PR.07	2
99	77306010010	SPLASH PROTECTOR KIT SX/EXC	x

148130611

C148130620

* NEW PART

X ON DEMAND



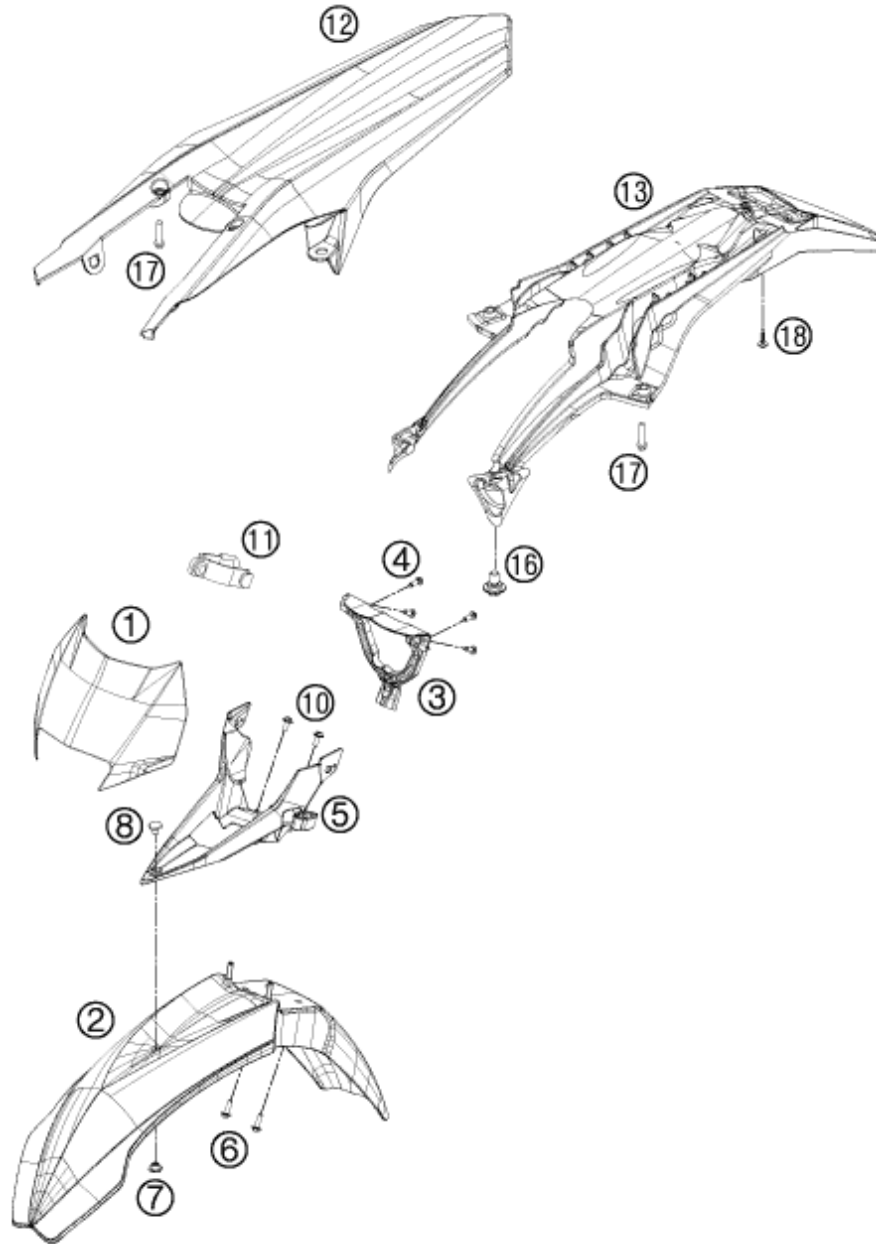
POS	PARTNUMBER	PARTNAME	PIECE
1	8030701313399	FUEL TANK CPL. 11L 2014	1
5	54807004000	GAS COCK ON/OFF/RES 03	1
6	0770110021	O-RING 11X2 VITON	1
7	50307011000	SCREW SEAT FASTENING D=6X23/18	1
8	7810700804455	TANK PLUG CPL. 14	1
9	78007000270	PVC-HOSE 5,6X10X270MM	1
14	50307014000	TANK ROLLER 12X26X12 '98	3
15	54807016100	FUEL HOSE 2ST EXC 08	1
17	58031005000	CLAMP YDNAC 10128 12MM	2
18	0017060205	SCREW FOR PLASTIC K60X20 SW6	2
19	0017060206	SCREW F. PLASTIC K60X20AL SW6	8
22	50330022000	ANGLE PIEC 90 DEGREE M10X1 02	1
35	81307840000	SEAT CPL.	1
36	0025060206	HH COLLAR SCREW M6X20 TX30	2
38	81307840050	SEAT COVER	1
50	8130805400028A	SPOILER SET WHITE 2014 WITH DECAL	1
52	50308052000	BUSH FOR SPOILER 6X11X16X5 MM	2
61	0025060206	HH COLLAR SCREW M6X20 TX30	2
62	0026060136	COLLAR SCREW M6X13 ISA30	3

138130710

C148130720

* NEW PART

X ON DEMAND



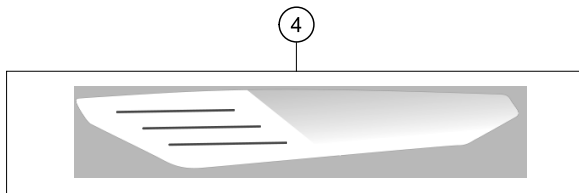
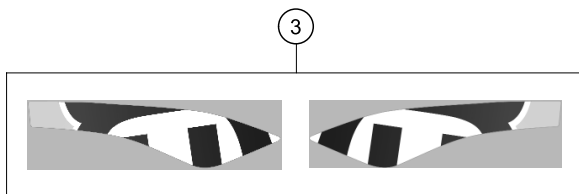
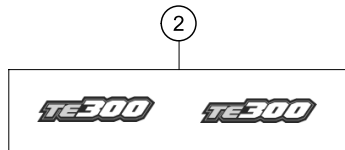
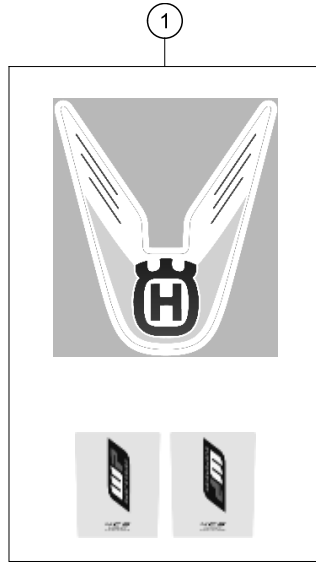
POS	PARTNUMBER	PARTNAME	PIECE
1	8120800110028	HEADLIGHTMASK WHITE 2010	1
2	8130801010028	FRONT FENDER WHITE	1
3	81208003000	HEAD LIGHT SUPPORT 2009	1
4	0081050181	SCREW FOR PLASTIC K50X18 T20	4
5	8120800910030	FENDER BRACE BLACK	1
6	0025060206	HH COLLAR SCREW M6X20 TX30	4
7	50308009051	NUT FENDER BRACE M8 WS=17	1
8	50308009050	SCREW FEND.BRACE M8X9 WS=17	1
10	0024060156	HH COLLAR SCREW M6X15 TX30	2
11	50211086000	MASK RUBBER UFO WP '95	2
12	8130801300028A	REAR FENDER WHITE 2014	1
13	81308015000	NUMBER PLATE CARRIER TOP	1
16	83008100020	SCREW M6X20X5,5	2
17	0025060256	HH COLLAR SCREW M6X25 TX30	2
18	0017060205	SCREW FOR PLASTIC K60X20 SW6	4

138130811

C148130814

* NEW PART

X ON DEMAND



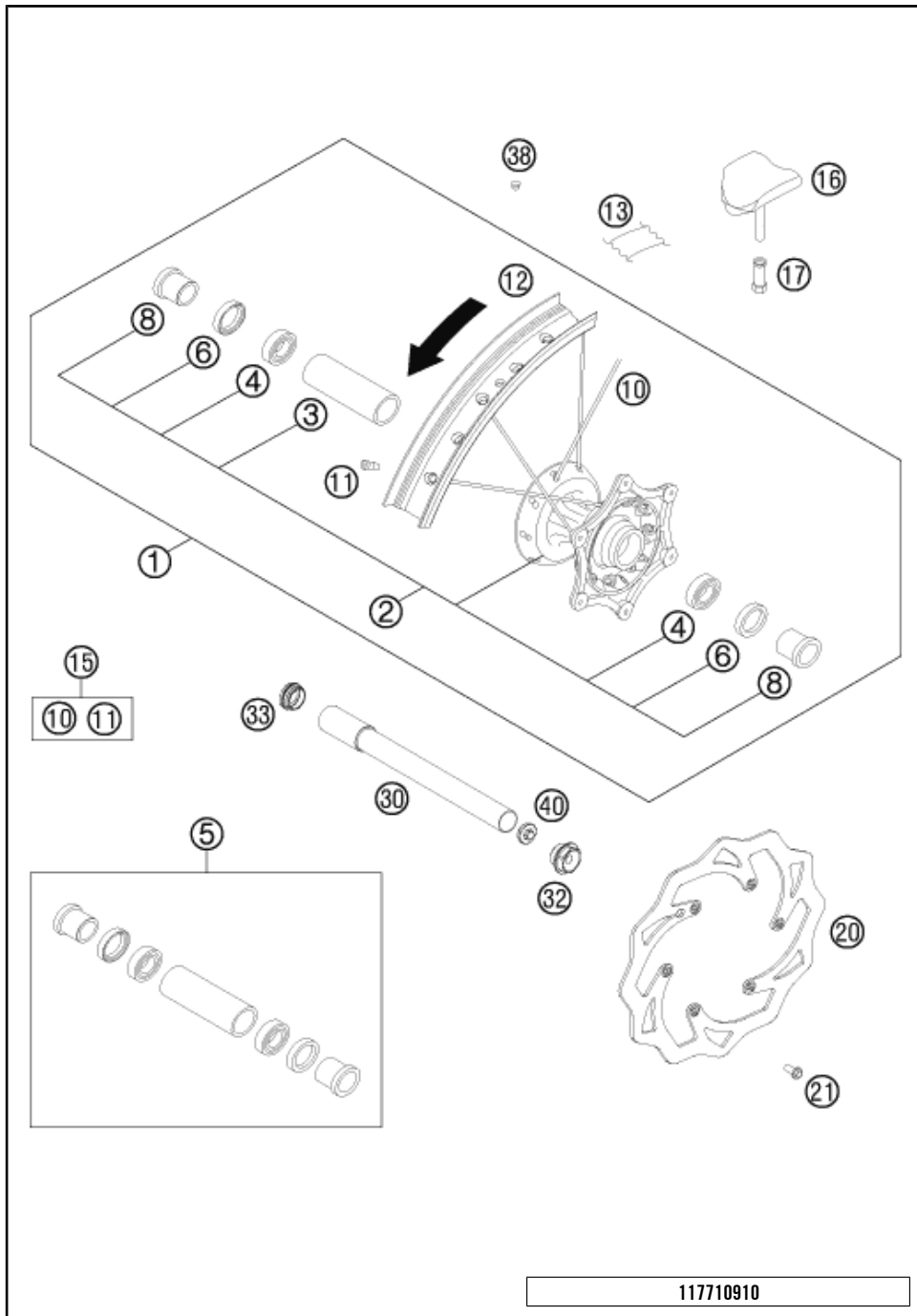
POS	PARTNUMBER	PARTNAME	PIECE
1	80308599000	DECAL KIT TE/FE 2014	1
2	80308597200	DISPL. STICKER TE 300 HQV 14	1
3	80308592110	STICKER KIT SPOILER	1
4	80308590000	STICKER FILTER COVER L/S	1

148130840

C148130840

* NEW PART

X ON DEMAND



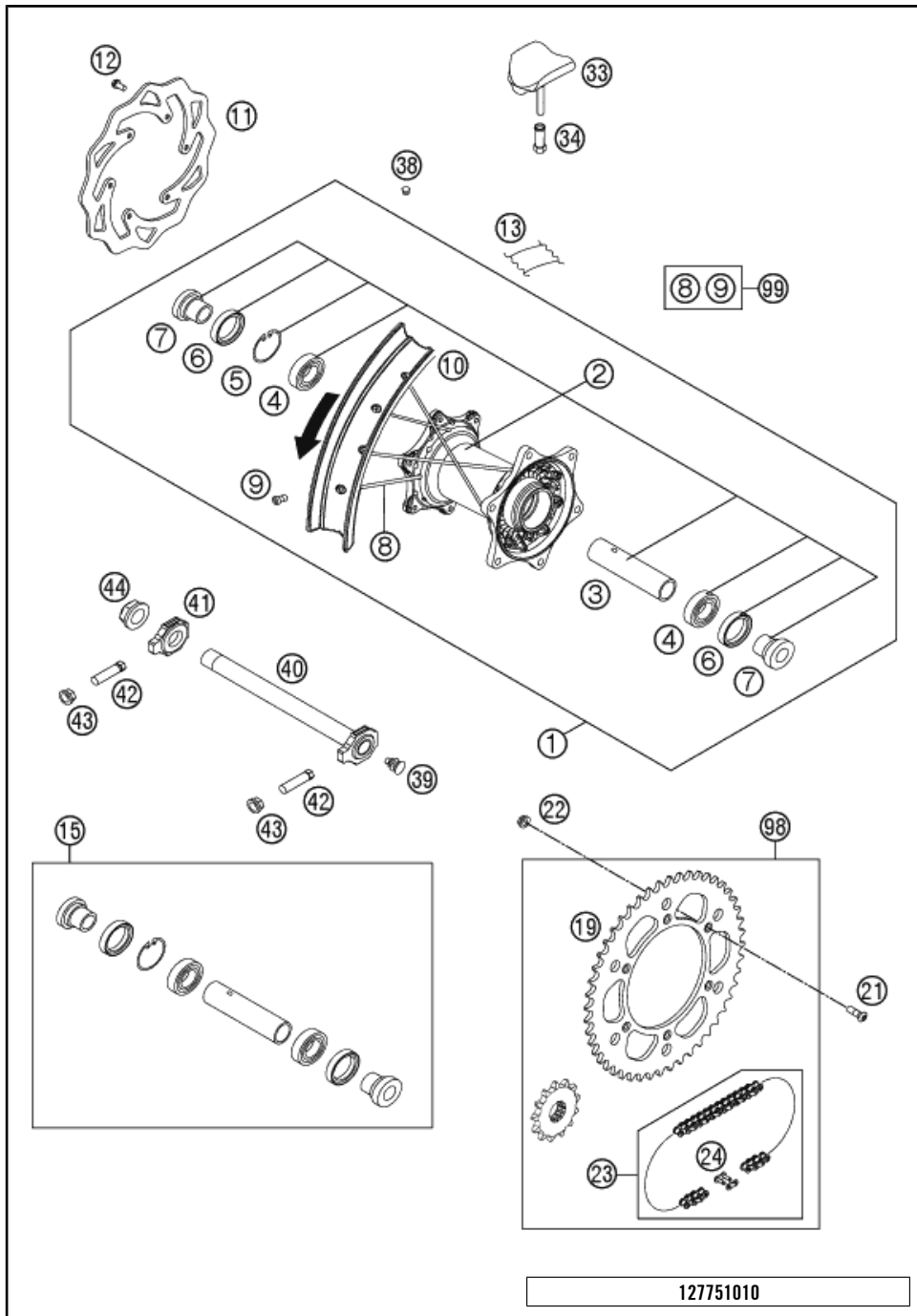
POS	PARTNUMBER	PARTNAME	PIECE
1	8030950104430	FRONT WHEEL CPL. 1,6X21" DID	1
2	77709010044	FRONT WHEEL HUB CPL.	1
3	54809011000	BEA.SPACERTUBE 35X2 L=79,4 03	1
4	0625069068	GR.BALL BEAR.6906 DDU2CG23S6NM	2
5	78009015000	FRONT WHEEL REP. KIT	1
6	0760354771	SHAFT SEAL RING 35X47X7 TC	2
8	78009012000	SPACER BUSHING F. FR. WHEEL 08	2
10	77109071226	SPOKE M4,5x226-21" 11	36
11	77109072000	SPOKE NIPPLE M4,5 AL 11	36
12	8120907010030	RIM FRONT 1,60X21" DID	1
13	50309073000	RIM BAND 21"	1
15	00050000916	SPOKE KIT FRONT "21"	x
16	78109090000	RIM LOCK 1,60"	1
17	77110090050	NUT FOR WHEEL HOLDER	1
20	77309060000	BRAKE DISC FRONT 260	1
21	59009062013	SPECIAL SCREW M6X13 WS=8 10.9	6
30	77309081000	WHEEL SPIN.FR. D=26 M24x1,5 07	1
32	54809082000	SPINDLE SCREW M24X1,5 WS=27 03	1
33	54809081050	PLUG BUSHING WS=27 03	1
38	55003135000	PLUG FOR RIM	x
40	54809081070	AUXILIARY SCREW FRONT 06	1

117710910

C148130910

* NEW PART

X ON DEMAND



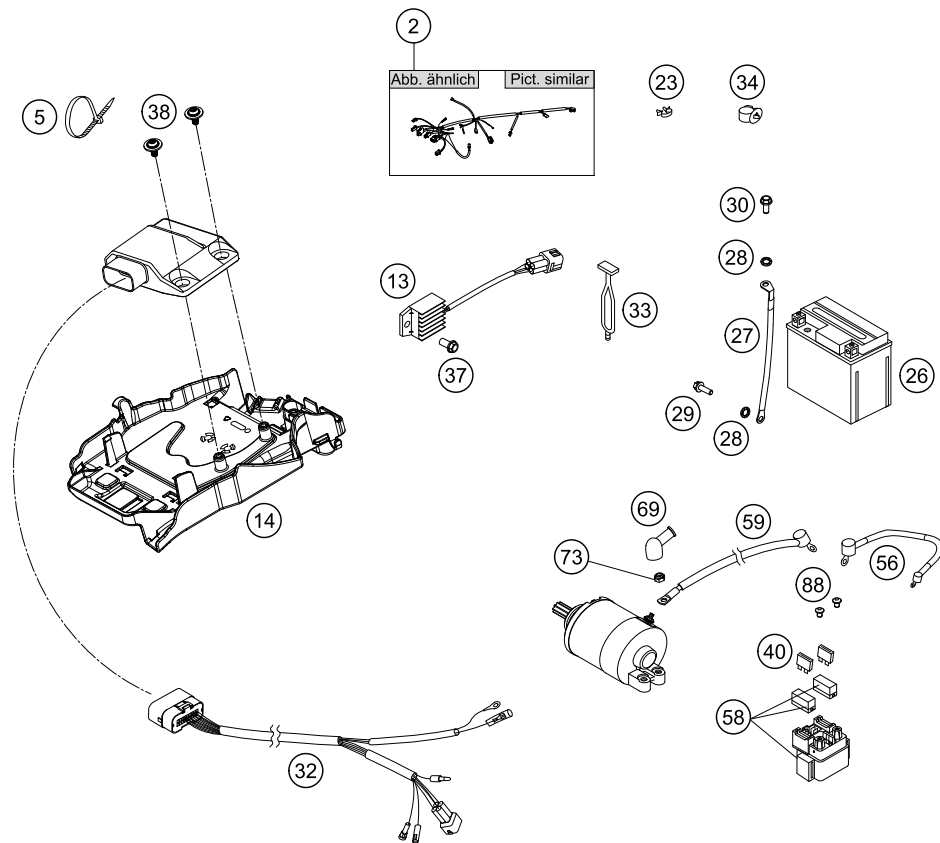
POS	PARTNUMBER	PARTNAME	PIECE
1	8031050114430	REAR WHEEL CPL. 2,15X18" DID	1
2	78010010144	REAR WHEEL HUB CPL.	1
3	59010011000	BUSHING SPACER TUBE 121,5MM 01	1
4	0625060058	GR.BALL BEAR.6005 DDU2CG23S6NM	2
5	0472047175	CIRCLIP DIN0472-47X1,75	1
6	0760324771	SHAFT SEAL RING 32X47X7 BSL	2
7	78010016000	BUSHING FOR HUB 08	2
8	77110071193	SPOKE M4,5X193- 18" 11	36
9	77109072000	SPOKE NIPPLE M4,5 AL 11	36
10	8121007010030	RIM 2,15X18" DID AL7 BLACK	1
11	77310060000	BRAKE DISC REAR 220	1
12	59009062013	SPECIAL SCREW M6X13 WS=8 10.9	6
13	50310073200	RIM BAND 18" AND 19"	1
15	78010015000	REAR WHEEL REP. KIT	1
19	5831015104830	SPROCKET 48-Z. BLACK	x
19	5831015105030	REAR SPROCKET 50-Z BLACK	1
19	5831015105230	SPROCKET 52-Z. BLACK	x
21	0019080266S	COUNTER-SUNK SCREW ISA45 M8X26	6
22	06923080003	HEXAGON NUT DIN EN1661 M8 SW13	6
23	78010167118	CHAIN DID 118 ROLLS	1
24	78010166000	CONNECTING LINK F. 78010167118	1
33	78110090000	RIM LOCK 2,15"	1
34	77110090050	NUT FOR WHEEL HOLDER	1
38	55003135000	PLUG FOR RIM	x
39	50210086000	COVERING CAP SFL16	1
40	77310085044	WHEEL SPINDLE RE. CPL.265MM 07	1
41	50310084000	CHAIN TENSIONER R/S 2000	1
42	50304040100	SCREW M10X1,25X50 WS=10	2
43	58414030000	HH COLLAR NUT M10X1,25 WS=13	2
44	50310099000	HEXAGON NUT M20X1,5 '98	1
98	00050002031	DRIVETRAIN KIT HQV 14T/50T	x
98	00050002036	DRIVETRAIN KIT HQV 13T/50T	x
99	00050000957	SPOKE KIT REAR 18" 12	x

127751010

C148131011

* NEW PART

X ON DEMAND



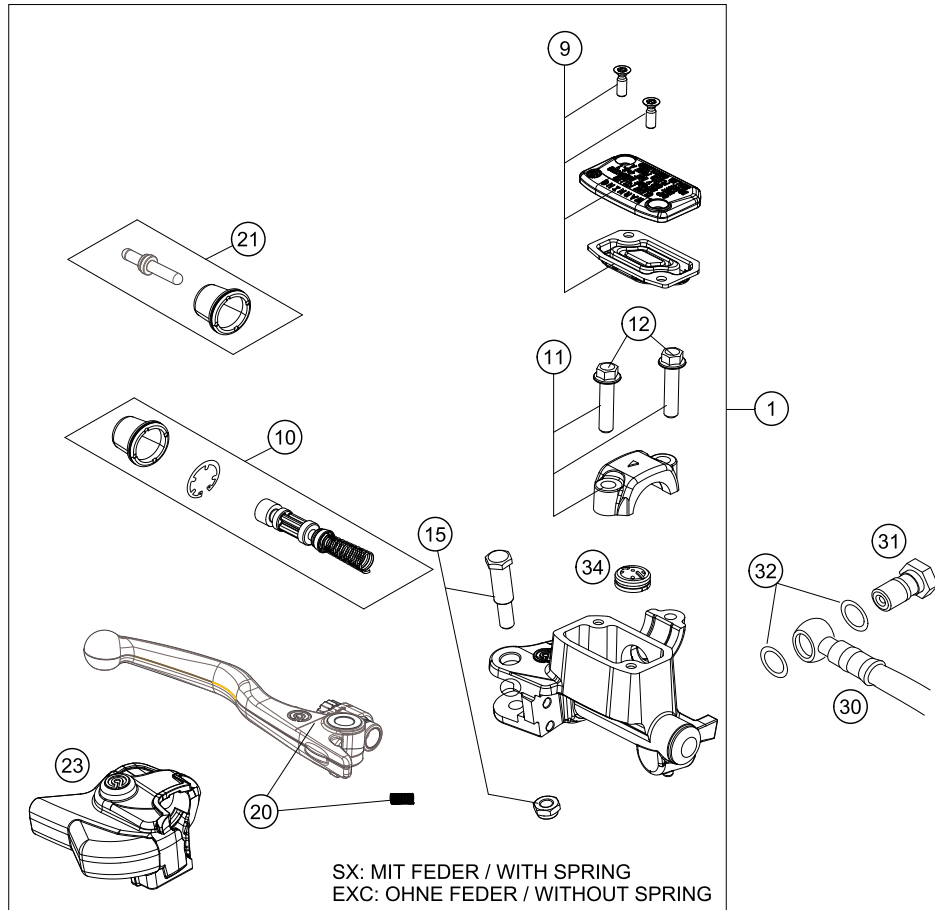
POS	PARTNUMBER	PARTNAME	PIECE
2	54811075800	WIRING HARNESS 200/300 XC-W 14	1
5	44011076140	CABLE TIE 140/2,5MM BLACK	x
5	44011076200	CABLE TIE 200/3,6MM BLACK	x
5	44011076305	CABLE TIE 300/4,8MM BLACK	1
13	80011034000	VOLTAGE REGULATOR 04	1
14	77711094000	ELECTRIC BOX	1
23	57013072100	WIRING HOLDER 16MM	x
26	58511053000	BATTERY 12V 4AH YTX5L-BS	1
27	58411059100	STARTERCABLE 700 MM '97	1
28	58411098100	CONTACT WASHER M6 VSV-K6	3
29	0009050106	EJOT SPIRAL SCREW SF M5X10-K	1
30	0025050126	HH COLLAR SCREW M5X12 TX30	2
31	81311040000	PROTECTION CAP F. CROUND	1
32	54839032200	WIRING HARNESS FOR CDI 2-ST.07	1
33	50303018000	RUBBER L=145MM	1
34	58111076000	CABLE SUPPORT KHS NR.150-47610	x
37	0023060123	COLLAR SCREW M6X12 TX	1
38	0081645121	EJOT DELTA PT SCREW 45X12-Z	2
40	58011109110	FUSE 10 A 2000	2
56	81311059050	WIRING HARNESS BATTERY	1
58	76211058000	STARTER RELAY 07	1
59	81311059100	STARTER CABLE	1
69	58440099000	PROTECTION CAP F. STARTER ENG.	1
73	0985060003	SELF LOCK. NUT DIN0985-M 6	1
88	0902060083	AH OVAL SCREW ISO 7380 M 6X8	2

148131118

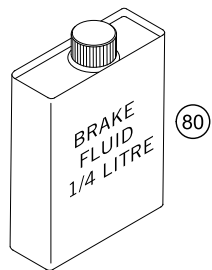
C148131120

* NEW PART

X ON DEMAND



POS	PARTNUMBER	PARTNAME	PIECE
1	77713001044	HAND BREAK CYLIND. CPL. X 2014	1
9	77713003000	HAND BRAKE CYL. COVER	1
10	77713008000	REPAIR KIT PISTON SX 2014	1
11	54802005100	CLAMP CPL. 06	1
12	0025060256	HH COLLAR SCREW M6X25 TX30	2
15	77713006000	LEVER SCREW	1
20	77713002000	HAND BRAKE LEVER +SPRING SX 14 SX WITH SPRING, EXC WITHOUT SP	1
21	77713007000	PUSH ROD CPL. SX 2014	1
23	77713004000	PROTECTION CAP HAND BRAKE CYL.	1
30	59013011000	BRAKEHO. FRONT 1300MM 2000	1
31	54813020100	HOLLOW SCREW BLACK M10X1X19	1
32	0603100141	COPPER GASKET DIN7603-10X14X1	2
34	54802051000	VALVE	1
80	00062030000	BRAKE FLUID DOT5.1 0,25L	1

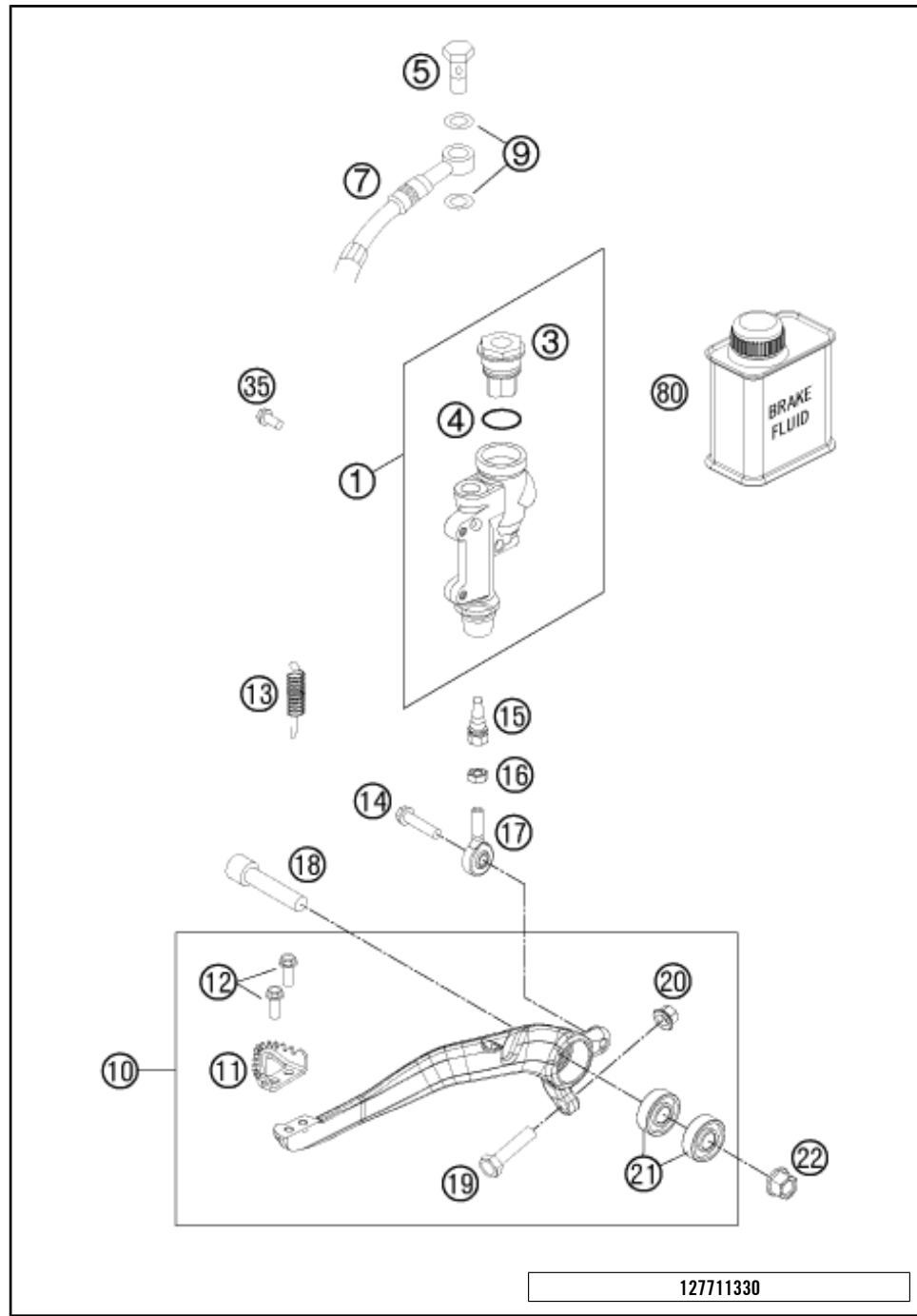


147781310

C148131311

* NEW PART

X ON DEMAND



POS	PARTNUMBER	PARTNAME	PIECE
1	77013060044	REAR BRAKE CYLINDER CPL.SX 09	1
3	54813062100	REAR BRAKE CYL. COVER CPL. 04	1
4	54813063000	FOOT-BRAKE CYL. GASKET SX 03	1
5	54813020100	HOLLOW SCREW BLACK M10X1X19	1
7	77213070000	BRAKE HOSE REAR XXXMM 11	1
9	0603100141	COPPER GASKET DIN7603-10X14X1	2
10	77213050044	FOOT BRAKE LEVER CPL.	1
11	54813051000	STEP PLATE FOR BRAKE LEVER	1
12	0025050126	HH COLLAR SCREW M5X12 TX30	2
13	54603062000	RETURN SPRING FOR BRAKE LEVER	1
14	0025060206S	HH COLLAR SCREW M6X20 TX30	1
15	54813056000	PUSH ROD L=28MM 03	1
16	0985060003	SELF LOCK. NUT DIN0985-M 6	1
17	54813055000	SWIVEL HEAD KA6 03	1
18	0032100406S	AH-COLLAR SCREW M10X40 ISA45	1
19	59001037000	SPECIAL SCREW M8X26 WS=10	1
20	46030045000	COLLAR NUT M8 WS=10	1
21	0625060002	BALL BEARING SKF 6000-2RS1	2
22	54630044000	COLLAR NUT M10 WS=13	1
35	0025060126	HH COLLAR SCREW M6X12 TX30	2
80	00062030000	BRAKE FLUID DOT5.1 0,25L	1

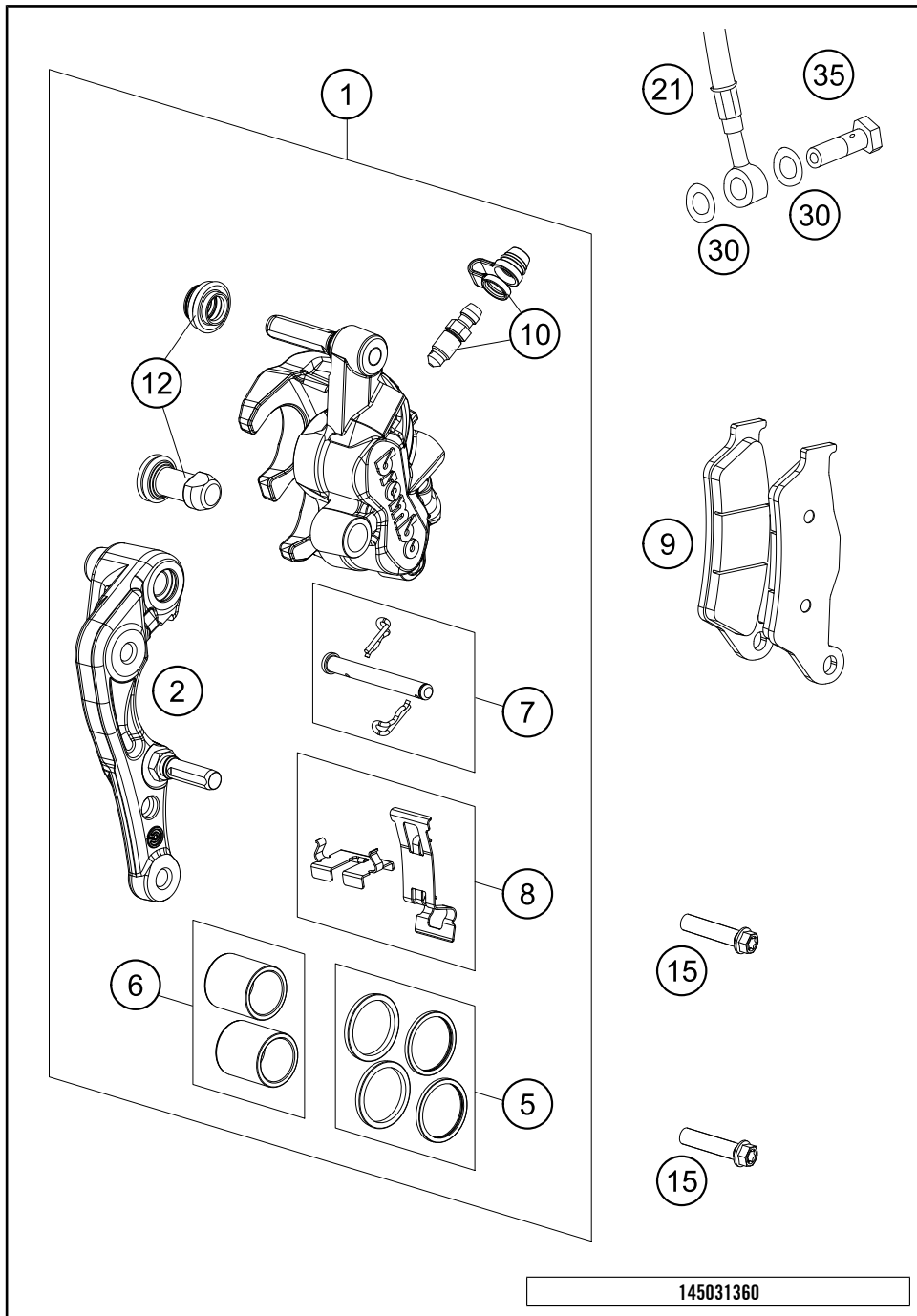
127711330

C148131331

* NEW PART X ON DEMAND

BRAKE CALIPER FRONT

TE 300 US 2014



POS	PARTNUMBER	PARTNAME	PIECE
1	7701301500101	CALIPER NAT. WITHOUT PADS	1
2	77013014000	BRAKE CALIPER SUPPORT FRONT 09	1
5	77013021000	REP. KIT SEALS 24MM	1
6	77013019000	REP. KIT PISTON 24MM	1
7	77013017000	BOLT CPL. 09	1
8	77013018000	RETAINING PLATE SET BREMBO	1
9	77713030000	BRAKE PADS FRONT	1
10	61013020100	BLEEDER SCREW WITH CAP	1
12	54613218000	CUP SET SHORT	1
15	0025080356S	HH COLLAR SCREW M8X35 TX40	2
21	59013011000	BRAKEHO. FRONT 1300MM 2000	1
30	0603100141	COPPER GASKET DIN7603-10X14X1	2
35	50213025000	HOLLOW SCREW M10X1X19	1

145031360

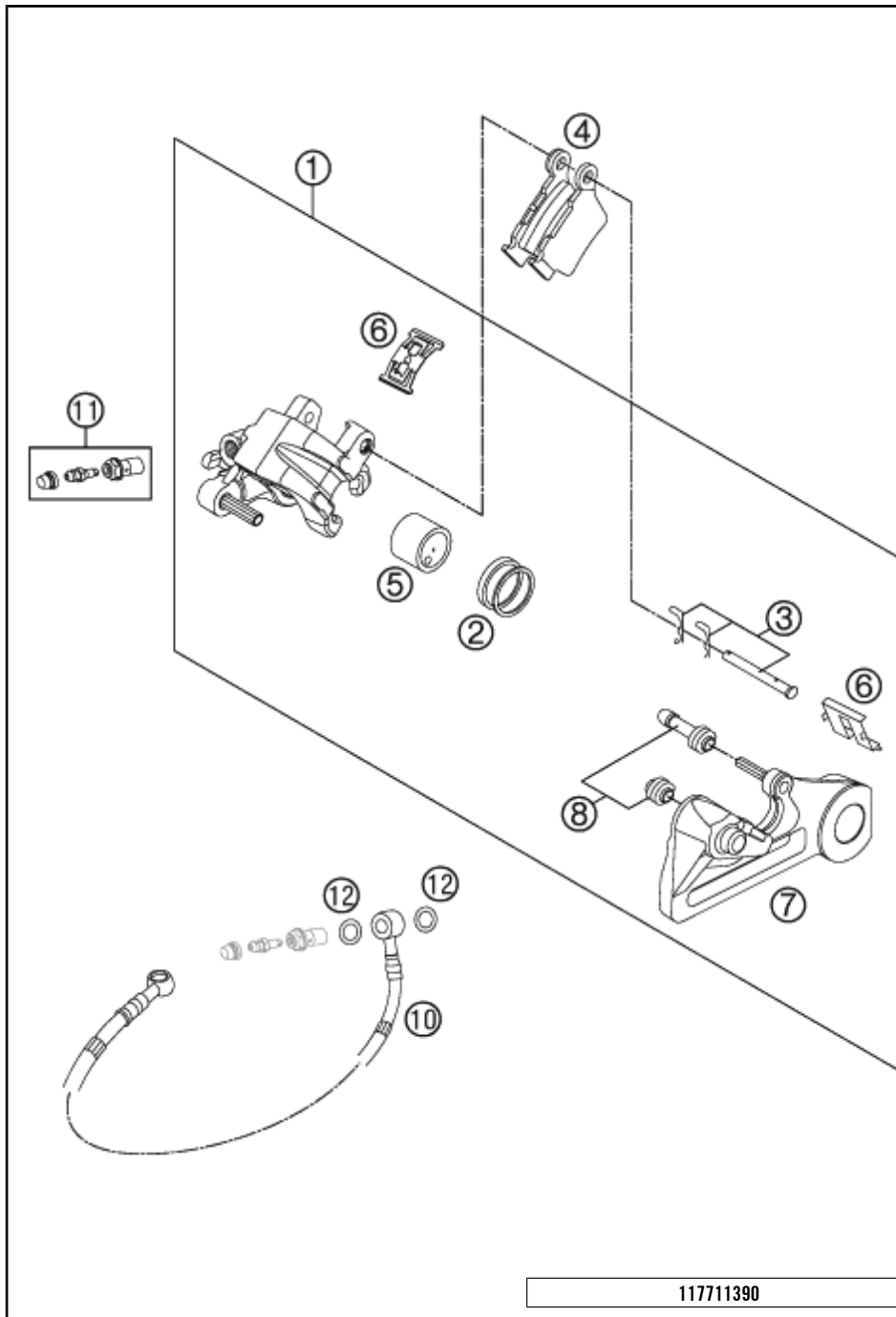
C148131360

* NEW PART

X ON DEMAND

BRAKE CALIPER REAR

TE 300 US 2014



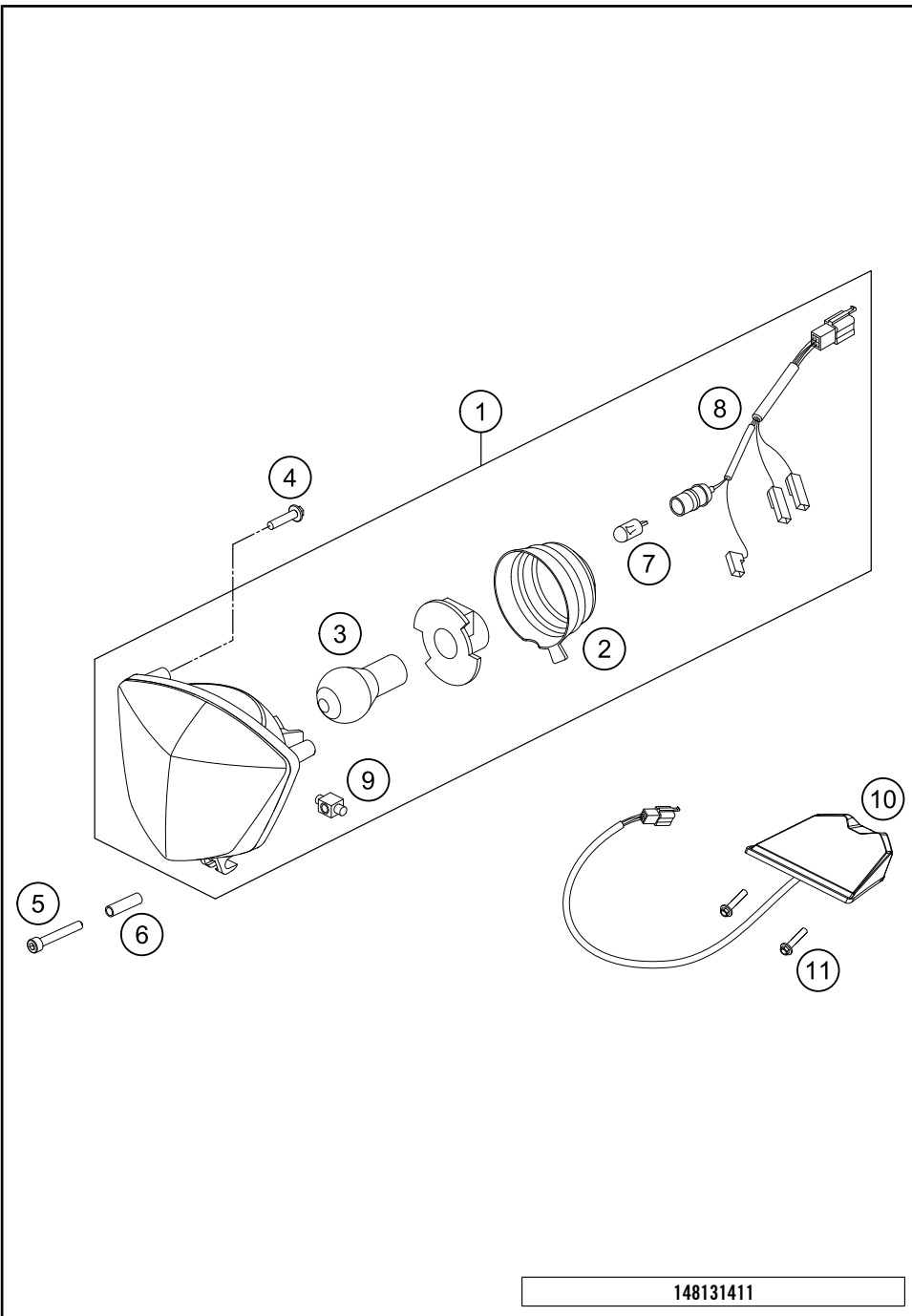
POS	PARTNUMBER	PARTNAME	PIECE
1	54813080101	BRAKE CAL. RE. - WITHOUT PADS	1
2	50313081200	REPAIR KIT SEALING RINGS 26MM	1
3	54813082000	BOLT SET FOR BRAKE CALIPER 03	1
4	54813090300	BRAKE PAD SET REAR TOYO	1
5	77713083000	BRAKE PISTON 26MM 2013	1
6	54813018000	RETAINING SPRING SET 2003	1
7	54813075000	BRAKE CALIPER SUPPORT REAR	1
8	54613218000	CUP SET SHORT	1
10	77213070000	BRAKE HOSE REAR XXXMM 11	1
11	62513020000	BLEEDER SCREW CPL. 05	1
12	0603100141	COPPER GASKET DIN7603-10X14X1	2

117711390

C148131391

* NEW PART

X ON DEMAND

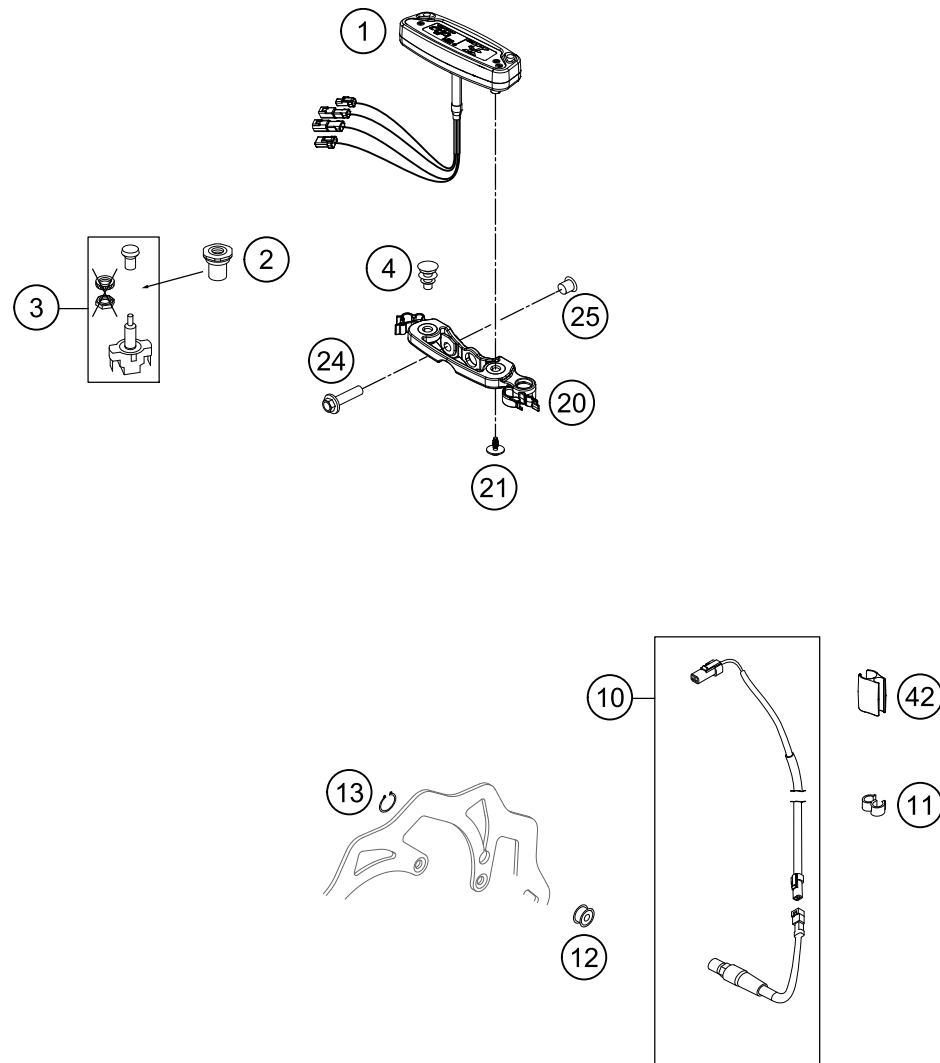


POS	PARTNUMBER	PARTNAME	PIECE
1	81214001000	HEAD LIGHT	1
2	54814001050	RUBBER CAP FOR HEAD LIGHT 05	1
3	44111038000	BILUX-BULB 12V 35/35W BA20D	1
4	0081050181	SCREW FOR PLASTIC K50X18 T20	3
5	0912050353	AH SCREW DIN912 M5X35	1
6	81208008000	DIST. HOSE F. HEAD LIGHT MASK	1
7	49011435100	BULB 12V 5W (W2,1X9,5D) PHIL.	1
8	54811001050	CABLE FOR HEAD LIGHT 2005	1
9	81208003010	INSERT FOR HEAD LIGHT SUPPORT	1
10	78114040000	REAR LIGHT	1
11	0017060255	EJOT PT SCREW K60X25-Z SW6	2

148131411

C148131411

* NEW PART X ON DEMAND



POS	PARTNUMBER	PARTNAME	PIECE
1	81314069000	DIGITAL SPEEDOMETER	1
2	55011599000	PULL SWITCH LOOSE	1
3	54814060050	SPEC. NUT F. PULL SWITCH WS=17	1
4	50210086000	COVERING CAP SFL16	1
10	81314068000	CABLE FOR SPEEDOMETER	1
11	60111094000	CLAMP 5/7 MM 06	2
12	81314069050	MAGNET FOR SPEEDOMETER	1
13	0471009104	CIRCLIP DIN0471- 9X1 INOX	1
20	77714060000	SPEEDOMETER BRACKET EXC/XCW 14	1
21	0081645121	EJOT DELTA PT SCREW 45X12-Z	2
24	0024060206	HH COLLAR SCREW M6X20 TX30	2
25	59030060050	BUSHING F. SPROCKET COVER RAC.	2
42	54813026000	CABLE SUPPORT 10/6MM 06	2

148131431

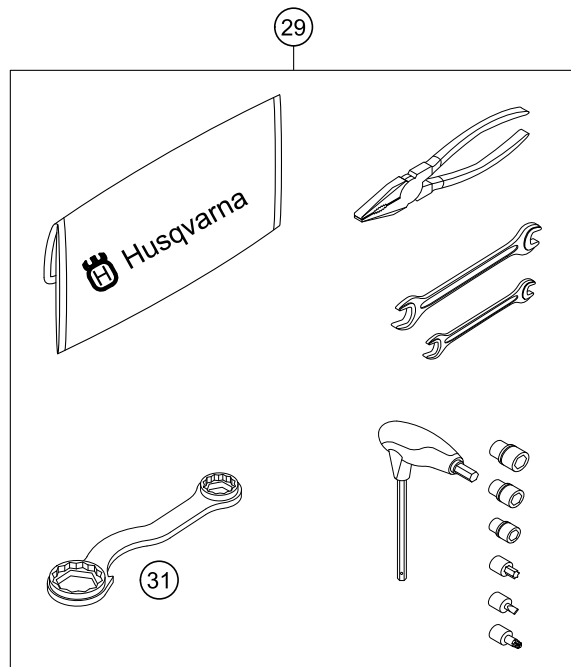
C148131431

* NEW PART

X ON DEMAND

0
OHNE ABBILDUNG
WITHOUT ILLUSTRATION

1
TECHNISCHE DOKUMENTATION
TECHNICAL DOCUMENTATION
DOCUMENTACION TECNICA
DOCUMENTATION TECHNIQUE
NOTE TECNICHE



POS	PARTNUMBER	PARTNAME	PIECE
0	HQV0110	HUSQVARNA BALLPOINT PEN	1
0	78003040033	FOOTREST L/S + R/S CPL. 09	1
0	54803190100	SKID PLATE PLASTIC CPL.	1
0	52000115	STICKER FRONT FORK-SET WP"4CS"	1
0	58511053000	BATTERY 12V 4AH YTX5L-BS	1
0	58411098100	CONTACT WASHER M6 VSV-K6	2
0	0025050126	HH COLLAR SCREW M5X12 TX30	2
0	8130801010028A	FRONT FENDER WHITE	1
0	0025060206	HH COLLAR SCREW M6X20 TX30	4
0	50308009050	SCREW FEND.BRACE M8X9 WS=17	1
0	50308009051	NUT FENDER BRACE M8 WS=17	1
0	80312002000	DOCUMENTS BAG HUSQVARNA	1
0	00063004202	PRINT LABEL 60X51 MM	1
0	7770207900028	HANDGUARDS CPL. L+R WHITE	1
0	00062030019	AIR FILTER OIL 100ML	1
0	80302602044	BAR PAD CPL.	1
1	3402005EN	OWNERS MANUAL 125-300 TE 14	1
29	80329899000	TOOL KIT	1
31	50329080100	WRENCH SW=17/21/27/32 B&F	1

148132000

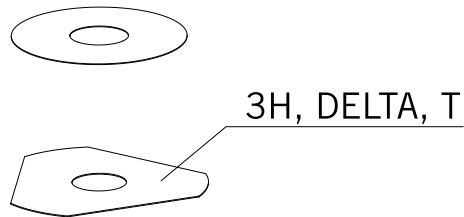
C148132017

* NEW PART

X ON DEMAND



- ⑤ Ø 5 mm
- ⑥ Ø 6 mm
- ⑧ Ø 8 mm
- ⑩ Ø 10 mm
- ⑫ Ø 12 mm
- ⑭ Ø 14-14,5 mm
- ⑯ Ø 16 mm
- ⑳ Ø 20 mm
- ㉑ Ø 21 mm
- ㉒ Ø 22 mm
- ㉓ Ø 23 mm
- ㉔ Ø 24,5 mm
- ㉘ Ø 28,5 mm
- ㉚ Ø 32 mm
- ㉜ Ø 52 mm



POS	PARTNUMBER	PARTNAME	PIECE
5	44906890	WASHER 5X15X2	X
6	40540400	SHIM 6X12X0,1	X
6	40540401	SHIM 6X14X0,1	X
6	40540402	SHIM 6X16X0,1	X
6	40540403	SHIM 6X18X0,1	X
6	40540404	SHIM 6X12X0,15	X
6	40540405	SHIM 6X14X0,15	X
6	40540406	SHIM 6X16X0,15	X
6	40540407	SHIM 6X18X0,15	X
6	40540408	SHIM 6X12X0,2	X
6	40540409	SHIM 6X14X0,2	X
6	40540410	SHIM 6X16X0,2	X
6	40540411	SHIM 6X18X0,2	X
6	48600095	* SHIM 6X20X0,20	X
6	40540412	SHIM 6X12X0,25	X
6	40540413	SHIM 6X14X0,25	X
6	40540414	SHIM 6X16X0,25	X
6	40540415	SHIM 6X18X0,25	X
6	40540417	SHIM 6X8,5X0,10	X
6	40540418	SHIM 6X9X0,10	X
6	40540419	SHIM 6X9,5X0,10	X
6	40540423	SHIM 6X9,5X0,15	X
6	40540425	SHIM 6X8,5X0,20	X
6	40540426	SHIM 6X9X0,20	X
6	40540427	SHIM 6X9,5X0,20	X
6	40540447	SHIM 6X10X0,3	X
6	40540449	SHIM 6X9X0,3	X
6	40540450	SHIM 6X9,5X0,3	X
6	40540494	SHIM 6X18X0,4	X
6	40540774	SHIM 6X18X0,1 DELTA	X
6	40541383	SHIM 6X11X0,1	X
6	40541391	SHIM 6X11X0,3	X
6	40541402	SHIM 6X11X0,2	X
6	40541403	SHIM 6X10X0,20	X
6	40541404	SHIM 6X10X0,1	X
6	40541405	SHIM 6X10X0,15	X
6	40541406	SHIM 6X11X0,15	X
6	40541408	SHIM 6X8,0X0,30	X

080000190

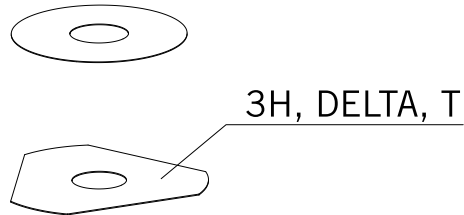
C130009090

* NEW PART

X ON DEMAND



- ⑤ Ø 5 mm
- ⑥ Ø 6 mm
- ⑧ Ø 8 mm
- ⑩ Ø 10 mm
- ⑫ Ø 12 mm
- ⑭ Ø 14-14,5 mm
- ⑯ Ø 16 mm
- ⑳ Ø 20 mm
- ㉑ Ø 21 mm
- ㉒ Ø 22 mm
- ㉓ Ø 23 mm
- ㉔ Ø 24,5 mm
- ㉘ Ø 28,5 mm
- ㉚ Ø 32 mm
- ㉜ Ø 52 mm



POS	PARTNUMBER	PARTNAME	PIECE
6	40541414	SHIM 6X8,0X0,10	X
6	40541416	SHIM 6X8X0,3	X
6	40541417	SHIM 6X11X0,25	X
6	48600102	* SHIM 6X24X0,25	X
6	48600063	SHIM 6X24X0,1	X
6	48600064	SHIM 6X22X0,1	X
6	48600065	SHIM 6X20X0,1	X
6	48600069	SHIM 6X20X0,15	X
6	48600100	SHIM 6X24X0,15	X
6	48600116	SHIM 6X24X0,1 DELTA	X
6	48600139	SHIM 6X22X0,1 DELTA	X
6	48600217	BACKPLATE 6X10X0,25	X
6	48600325	SHIM 6X13X0,1	X
6	48600327	SHIM 6X15X0,1	X
6	48600329	SHIM 6X17X0,1	X
6	48600331	SHIM 6X19X0,1	X
6	48600096	* SHIM 6X20X0,25	X
6	48600097	SHIM 6X22X0,15	X
6	48600099	* SHIM 6X22X0,25	X
6	40540448	BACKPLATE 6X8,5X0,30	X
6	48600479	SHIM 6X20X0,1 T/3H	X
6	48600332	SHIM 6X21X0,1	X
6	48600333	SHIM 6X23X0,1	X
6	40541393	* SHIM 6X12X0,3	X
6	48600330	SHIM 6X17X0,15	X
6	48600988	SHIM 6X28X0,10	X
6	48600989	SHIM 6X26X0,10	X
6	48601091	SHIM 6X28X0,15	X
6	48601093	SHIM 6X26X0,15	X
8	40540477	SHIM 8X18X0,4	X
8	43570120	SHIM 8X18X0,10	X
8	44916098	WASHER 8,4X16X0,8	X
8	44916130	WASHER 8,2X15X1	X
8	44916180	WASHER 8,2X11X1	X
8	48600214	SHIM 8X16X0,1	X
8	48600346	SHIM 8X11X0,2	X
8	48600215	CHECK VALVE 8X20X0,1	X
8	48600061	CHECK VALVE 8X24X0,4	X

080000190

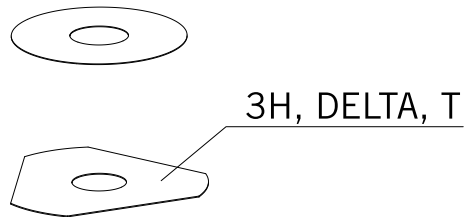
C130009090

* NEW PART

X ON DEMAND



- ⑤ Ø 5 mm
- ⑥ Ø 6 mm
- ⑧ Ø 8 mm
- ⑩ Ø 10 mm
- ⑫ Ø 12 mm
- ⑭ Ø 14-14,5 mm
- ⑯ Ø 16 mm
- ⑳ Ø 20 mm
- ㉑ Ø 21 mm
- ㉒ Ø 22 mm
- ㉓ Ø 23 mm
- ㉔ Ø 24,5 mm
- ㉘ Ø 28,5 mm
- ㉚ Ø 32 mm
- ㉜ Ø 52 mm



POS	PARTNUMBER	PARTNAME	PIECE
8	4860062	CHECK VALVE 8X24X0,1	X
8	48600216	CHECK VALVE 8X22X0,1	X
8	48600480	SHIM 8X10X0,20	X
8	48600555	SHIM 8X16X0,20	X
8	48600213	SHIM 8X14X0,10	X
8	48600357	CHECK VALVE 8X11X0,1	X
8	48600351	CHECK VALVE 8X12X0,1	X
8	48600607	SHUTTLE VALVE 8X20X0,4	X
8	48601095	SHIM 8X17X0,10	X
10	36120284	SHIM 10X16X0,10	X
10	36120298	SHIM 10X16X0,2	X
10	36120312	SHIM 10X16X0,30	X
10	36120314	SHIM 10X18X0,30	X
10	36120325	SHIM 10X19X0,15	X
10	36120327	SHIM 10X23X0,15	X
10	36120328	SHIM 10X25X0,15	X
10	36120329	SHIM 10X27X0,15	X
10	36120330	SHIM 10X29X0,15	X
10	36120331	SHIM 10X31X0,15	X
10	36120332	SHIM 10X33X0,15	X
10	36120334	SHIM 10X21X0,20	X
10	36120335	SHIM 10X23X0,20	X
10	36120336	SHIM 10X25X0,20	X
10	36120337	SHIM 10X27X0,20	X
10	36120338	SHIM 10X29X0,20	X
10	36120339	SHIM 10X31X0,20	X
10	36120340	SHIM 10X33X0,20	X
10	36120342	SHIM 10X21X0,25	X
10	36120343	SHIM 10X23X0,25	X
10	36120344	SHIM 10X25X0,25	X
10	36120345	SHIM 10X27X0,25	X
10	36120349	SHIM 10X19X0,30	X
10	36120350	SHIM 10X21X0,30	X
10	40140275	WASHER 10X35X0,15	X
10	36120346	* SHIM 10X29X0,25	X
10	50180010	* SHIM 16X24X0,10	X
10	36120604	SHIM D10XD22X2,5	X
12	46810490	SHIM 12X24X0,20	X

080000190

C130009090

* NEW PART

X ON DEMAND



- ⑤ Ø 5 mm
- ⑥ Ø 6 mm
- ⑧ Ø 8 mm
- ⑩ Ø 10 mm
- ⑫ Ø 12 mm
- ⑭ Ø 14-14,5 mm
- ⑯ Ø 16 mm
- ⑳ Ø 20 mm
- ㉑ Ø 21 mm
- ㉒ Ø 22 mm
- ㉓ Ø 23 mm
- ㉔ Ø 24,5 mm
- ㉘ Ø 28,5 mm
- ㉚ Ø 32 mm
- ㉜ Ø 52 mm



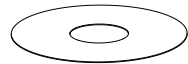
POS	PARTNUMBER	PARTNAME	PIECE
12	46810491	SHIM 12X26X0,20	X
12	46810492	SHIM 12X28X0,20	X
12	46810493	SHIM 12X30X0,20	X
12	46810494	SHIM 12X32X0,20	X
12	46810495	SHIM 12X34X0,20	X
12	46810496	SHIM 12X36X0,20	X
12	46810497	SHIM 12X38X0,20	X
12	46810498	SHIM 12X40X0,20	X
12	46810499	SHIM 12X24X0,25	X
12	46810500	SHIM 12X26X0,25	X
12	46810501	SHIM 12X28X0,25	X
12	46810502	SHIM 12X30X0,25	X
12	46810504	SHIM 12X34X0,25	X
12	46810505	SHIM 12X36X0,25	X
12	46810507	SHIM 12X40X0,25	X
12	46810508	SHIM 12X24X0,30	X
12	46810509	SHIM 12X26X0,30	X
12	46810510	SHIM 12X28X0,30	X
12	46810512	SHIM 12X32X0,30	X
12	46810513	SHIM 12X34X0,30	X
12	46810518	SHIM 12X26X0,15	X
12	46810519	SHIM 12X28X0,15	X
12	46810520	SHIM 12X30X0,15	X
12	46810521	SHIM 12X32X0,15	X
12	46810522	SHIM 12X34X0,15	X
12	46810523	SHIM 12X36X0,15	X
12	46810524	SHIM 12X38X0,15	X
12	46810525	SHIM 12X40X0,15	X
12	46810604	SHIM 12X20X0,10	X
12	46810606	SHIM 12X22X0,10	X
12	46810607	SHIM 12X23X0,10	X
12	46810608	SHIM 12X24X0,10	X
12	46810610	SHIM 12X27X0,15	X
12	46810611	SHIM 12X18X0,15	X
12	46810612	SHIM 12X19X0,15	X
12	46810615	SHIM 12X22X0,15	X
12	46810636	BACKPLATE 12X16X0,30	X
12	46810637	BACKPLATE 12X17X0,30	X

080000190

C130009090

* NEW PART

X ON DEMAND



3H, DELTA, T

- ⑤ Ø 5 mm
- ⑥ Ø 6 mm
- ⑧ Ø 8 mm
- ⑩ Ø 10 mm
- ⑫ Ø 12 mm
- ⑭ Ø 14-14,5 mm
- ⑯ Ø 16 mm
- ⑳ Ø 20 mm
- ㉑ Ø 21 mm
- ㉒ Ø 22 mm
- ㉓ Ø 23 mm
- ㉔ Ø 24,5 mm
- ㉘ Ø 28,5 mm
- ㉚ Ø 32 mm
- ㉜ Ø 52 mm

POS	PARTNUMBER	PARTNAME	PIECE
12	46810638	BACKPLATE 12X18X0,30	X
12	46810639	SHIM 12X19X0,30	X
12	46810641	BACKPLATE 12X21X0,30	X
12	46811582	BACKPLATE 12X30X0,10	X
12	46810631	SHIM 12X20X0,25	X
12	46810633	SHIM 12X22X0,25	X
12	46811580	SHIM 12X32X0,10	X
12	46810503	SHIM 12X32X0,25	X
12	46810517	* SHIM 12X24X0,15	X
12	46810640	SHIM 12X20X0,30	X
12	46811258	RING 12X24X2,5	X
14	46811046	SHIM 14,5X35,4X1,25	X
16	50180023	* SHIM 16X23X0,20	X
16	50180030	SHIM	X
16	50180006	BACKPLATE 16X20X0,10	X
16	50180007	SHIM 16X21X0,10	X
16	50180028	SHIM 16X21X0,25	X
16	50180210	WASHER 16X21X1	X
16	50180008	SHIM 16X22X0,10	X
16	50180022	SHIM 16X22X0,20	X
16	50180037	SHIM 16X23X0,30	X
16	50180038	SHIM 16X24X0,30	X
16	50180032	SHIM 15X25X0,25	X
16	50180039	SHIM 16X25X0,30	X
16	50180012	SHIM 16X26X0,10	X
16	50180019	SHIM 16X26X0,15	X
16	50180026	SHIM 16X26X0,20	X
16	50180040	SHIM 16X26X0,30	X
16	50180041	SHIM 16X28X0,10	X
16	50180045	SHIM 16X28X0,15	X
16	50180054	SHIM 16X28X0,20	X
16	50180063	SHIM 16X28X0,25	X
16	50180072	SHIM 16X28X0,30	X
16	50180046	SHIM 16X30X0,15	X
16	50180055	SHIM 16X30X0,20	X
16	50180064	SHIM 16X30X0,25	X
16	50180073	SHIM 16X30X0,30	X
16	50180047	SHIM 16X32X0,15	X

080000190

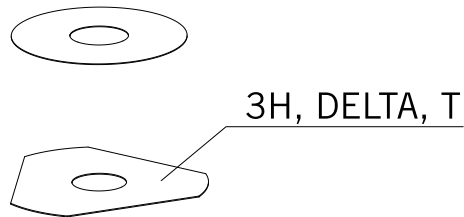
C130009090

* NEW PART

X ON DEMAND



- ⑤ Ø 5 mm
- ⑥ Ø 6 mm
- ⑧ Ø 8 mm
- ⑩ Ø 10 mm
- ⑫ Ø 12 mm
- ⑭ Ø 14-14,5 mm
- ⑯ Ø 16 mm
- ⑳ Ø 20 mm
- ㉑ Ø 21 mm
- ㉒ Ø 22 mm
- ㉓ Ø 23 mm
- ㉔ Ø 24,5 mm
- ㉘ Ø 28,5 mm
- ㉚ Ø 32 mm
- ㉜ Ø 52 mm



POS	PARTNUMBER	PARTNAME	PIECE
16	50180056	SHIM 16X32X0,20	X
16	50180065	SHIM 16X32X0,25	X
16	50180074	SHIM 16X32X0,30	X
16	50180044	SHIM 16X34X0,10	X
16	50180048	SHIM 16X34X0,15	X
16	50180057	SHIM 16X34X0,20	X
16	50180066	SHIM 16X34X0,25	X
16	50180075	SHIM 16X34X0,30	X
16	50180049	SHIM 16X36X0,15	X
16	50180058	SHIM 16X36X0,20	X
16	50180067	SHIM 16X36X0,25	X
16	50180076	SHIM 16X36X0,30	X
16	50180050	SHIM 16X38X0,15	X
16	50180059	SHIM 16X38X0,20	X
16	50180068	SHIM 16X38X0,25	X
16	50180077	SHIM 16X38X0,30	X
16	50180051	SHIM 16X40X0,15	X
16	50180060	SHIM 16X40X0,20	X
16	50180069	SHIM 16X40X0,25	X
16	50180078	SHIM 16X40X0,30	X
16	50180052	SHIM 16X42X0,15	X
16	50180061	SHIM 16X42X0,20	X
16	50180070	SHIM 16X42X0,25	X
16	50180079	SHIM 16X42X0,30	X
16	50180053	SHIM 16X44X0,15	X
16	50180062	SHIM 16X44X0,20	X
16	50180071	SHIM 16X44X0,25	X
16	50180080	SHIM 16X44X0,30	X
16	50180177	WASHER 16X8,2X0,6	X
16	50180033	SHIM 16X26X0,25	X
16	50180034	BACKPLATE 16X20X0,30	X
16	50180035	BACKPLATE 16X21X0,30	X
16	50180036	BACKPLATE 16X22X0,30	X
16	50180043	SHIM	X
16	50180024	* SHIM 16X24X0,20	X
16	50180027	* SHIM 16X20X0,25	X
16	50180031	SHIM	X
20	48600212	PRESSURE-RING 20X16,25X0,20	X

080000190

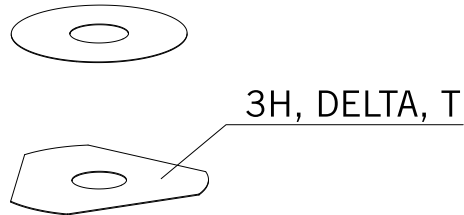
C130009090

* NEW PART

X ON DEMAND



- ⑤ Ø 5 mm
- ⑥ Ø 6 mm
- ⑧ Ø 8 mm
- ⑩ Ø 10 mm
- ⑫ Ø 12 mm
- ⑭ Ø 14-14,5 mm
- ⑯ Ø 16 mm
- ⑳ Ø 20 mm
- ㉑ Ø 21 mm
- ㉒ Ø 22 mm
- ㉓ Ø 23 mm
- ㉔ Ø 24,5 mm
- ㉘ Ø 28,5 mm
- ㉚ Ø 32 mm
- ㉜ Ø 52 mm



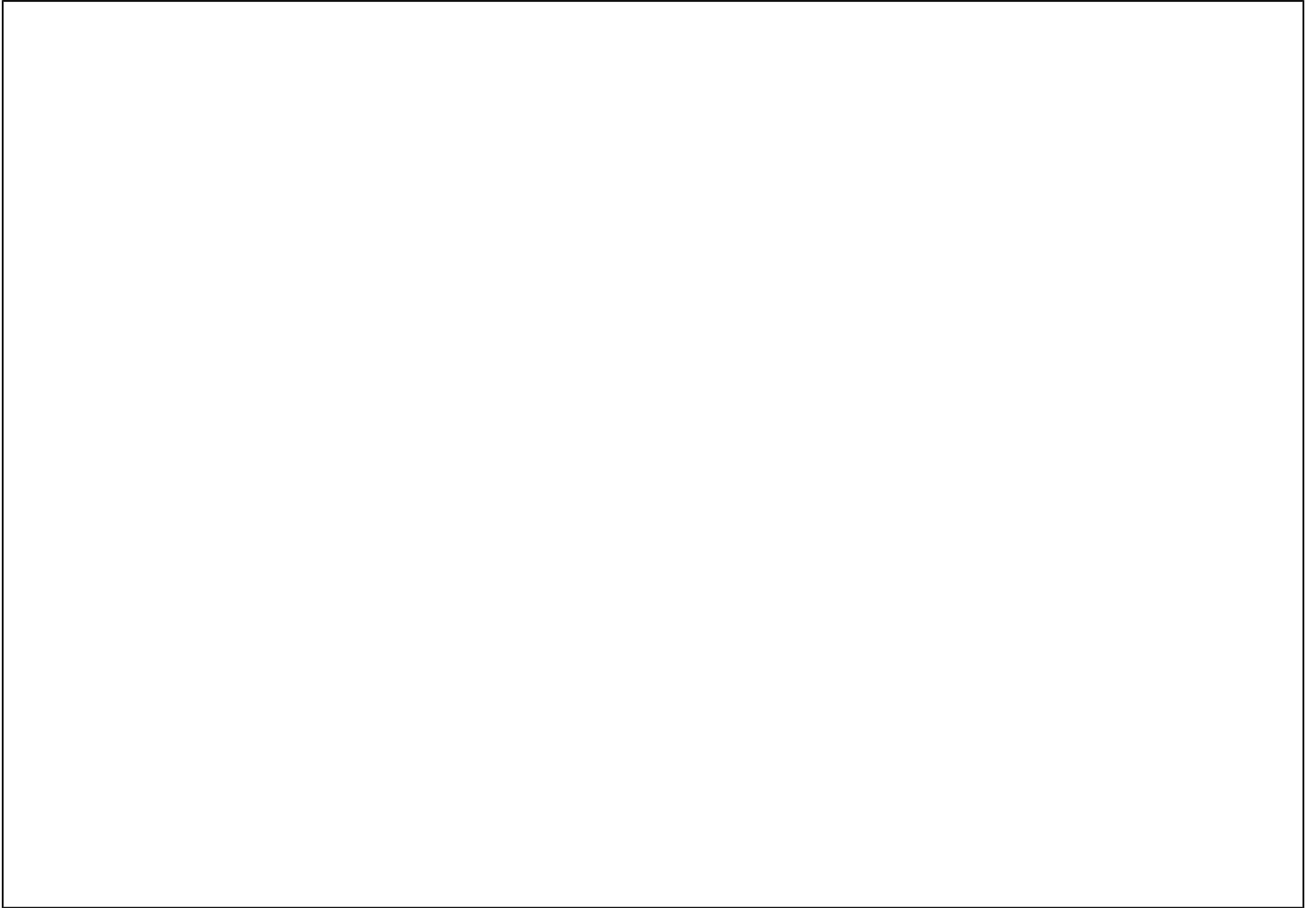
POS	PARTNUMBER	PARTNAME	PIECE
20	50180666	SHIM 20X24X0,30	X
20	50180654	SHIM 20X36X0,20	X
20	50180655	SHIM 20X38X0,20	X
20	50180656	SHIM 20X40X0,20	X
20	50180665	SHIM 20X40X0,25	X
20	50180662	SHIM 20X34X0,25	X
20	50180657	SHIM 20X24X0,25	X
20	50180653	SHIM 20X34X0,20	X
20	50180634	RING 20X22,9X1	X
20	50180650	SHIM 20,2X28X0,20	X
20	50180663	SHIM 20X36X0,25	X
20	50180664	SHIM 20X38X0,25	X
20	50180659	SHIM 20,2X28X0,25	X
21	50180209	WASHER 21X36X0,25	X
22	50180330	* PRESS. RING 22X18X0,30	X
23	50180635	SHUTTLE VALVE 23X38X0,25	X
23	50180578	SHIM D23XD16X2	X
24	40541061	WASHER 24,5X34X2	X
28	36120469	SHIM 28,5X14X2	X
28	36120471	SHIM 28,5X14X5	X
32	48600460	WASHER 32X42X2,5	X
32	50600065	SHIM 32X45X2	X
32	46811637	PRESSURE RING 36X32,25	X
52	50600002	SHIM 52X59X2,2	X

080000190

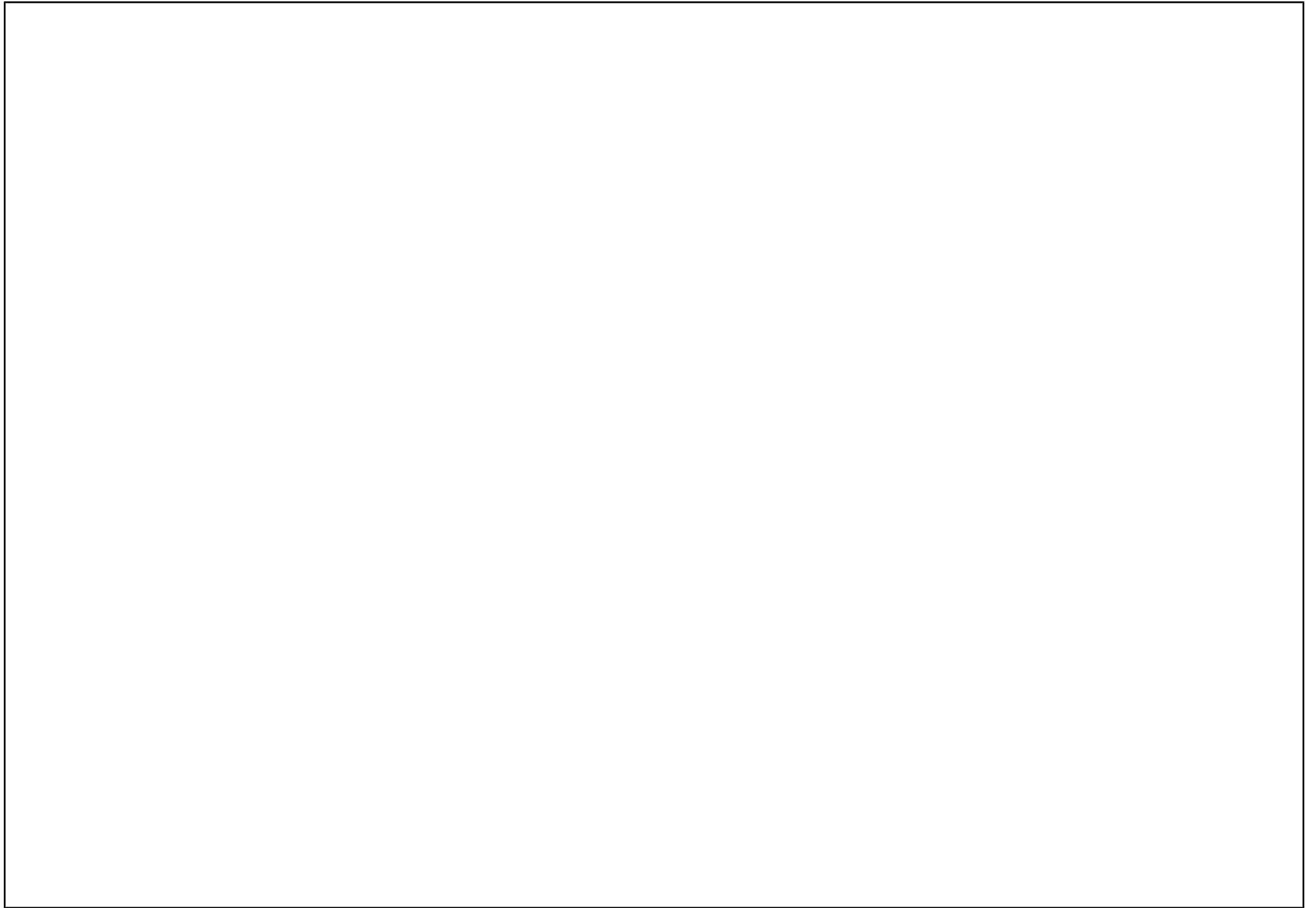
C130009090

* NEW PART

X ON DEMAND



A large, empty rectangular box with a thin black border, occupying the majority of the page. It is intended for the student to write their notes during the lecture.





3CFF2475N8EN



Husqvarna Motorcycles GmbH
Stallhofnerstraße 3 | 5230 Mattighofen | Austria
www.husqvarna-motorcycles.com



THE PIONEERS OF MOTOCROSS

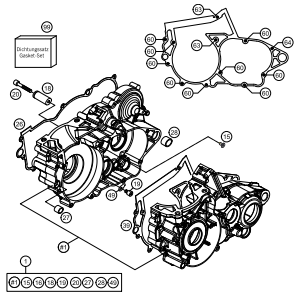
SPAREPARTSCATALOG

ENGINE

ART.-NR.: 3CM084693NEN

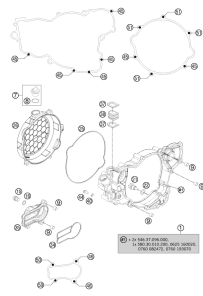
TE 300 2014

ENGINE CASE



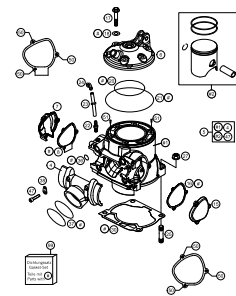
3

CLUTCH COVER



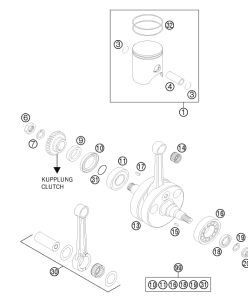
4

CYLINDER, CYLINDER HEAD



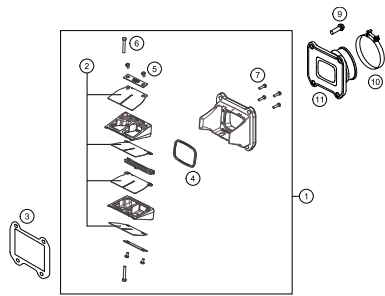
5

CRANKSHAFT, PISTON



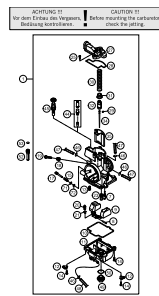
6

REED VALVE CASE



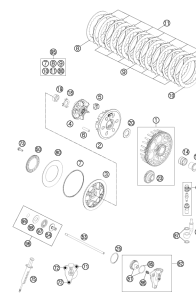
7

CARBURETOR



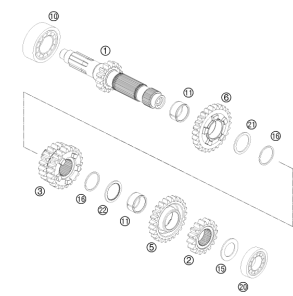
8

CLUTCH



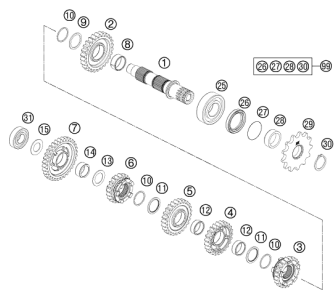
10

TRANSMISSION I - MAIN SHAFT



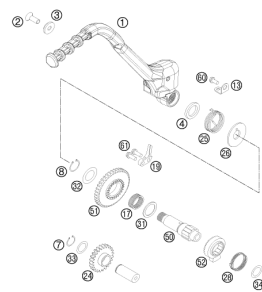
11

TRANSMISSION II - COUNTERSHAFT



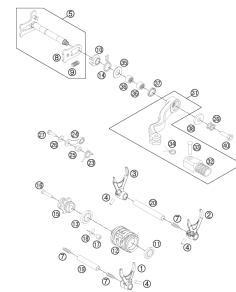
12

KICK STARTER



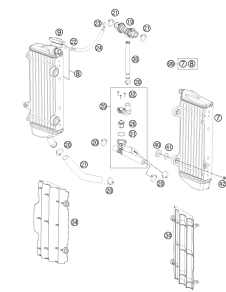
13

SHIFTING MECHANISM



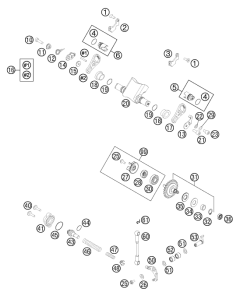
14

COOLING SYSTEM



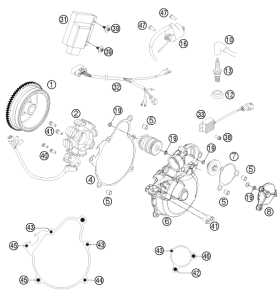
15

EXHAUST CONTROL



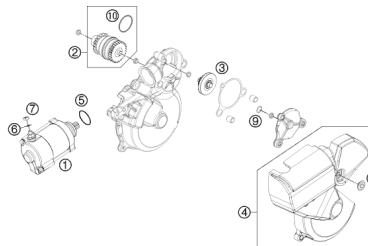
16

IGNITION SYSTEM



18

ELECTRIC STARTER

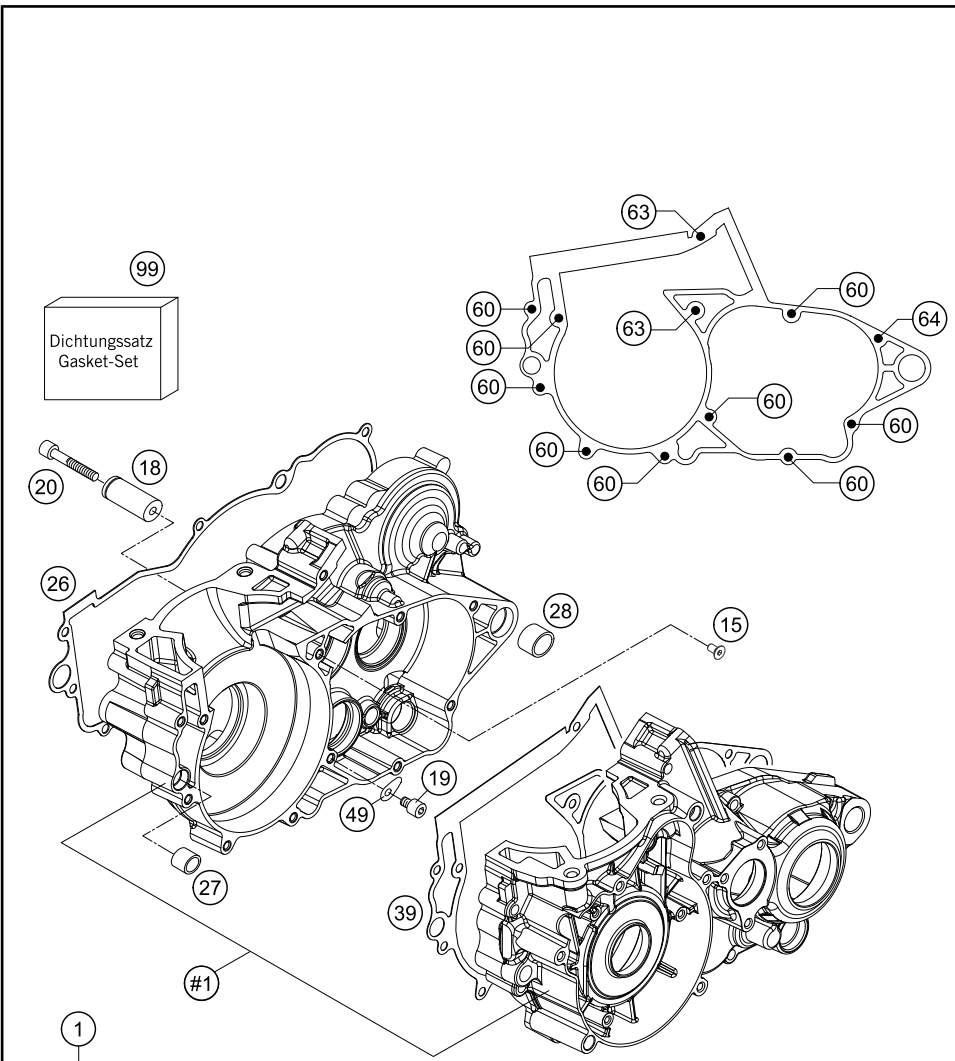


19



All information contained is without obligation. HUSQVARNA MOTORCYCLES GmbH particularly reserves the right to modify any equipment, technical specifications, prices, colors, shapes, materials, services, service work, constructions, equipment and the like so as to adapt them to local conditions or to cancel any of the above items, all without previous announcement and without giving reasons. KTM may stop manufacturing certain models without previous notice. HUSQVARNA MOTORCYCLES shall not be held liable for any deviations of availability and/or ability to deliver, illustrations, descriptions, printing and/or other errors. The illustrated models partly contain extra equipment, which is not applied to standard models.

© by HUSQVARNA MOTORCYCLES GmbH, Mattighofen AUSTRIA; All rights reserved; Reprint, also in extracts, with written allowance of HUSQVARNA MOTORCYCLES GmbH, Mattighofen only.



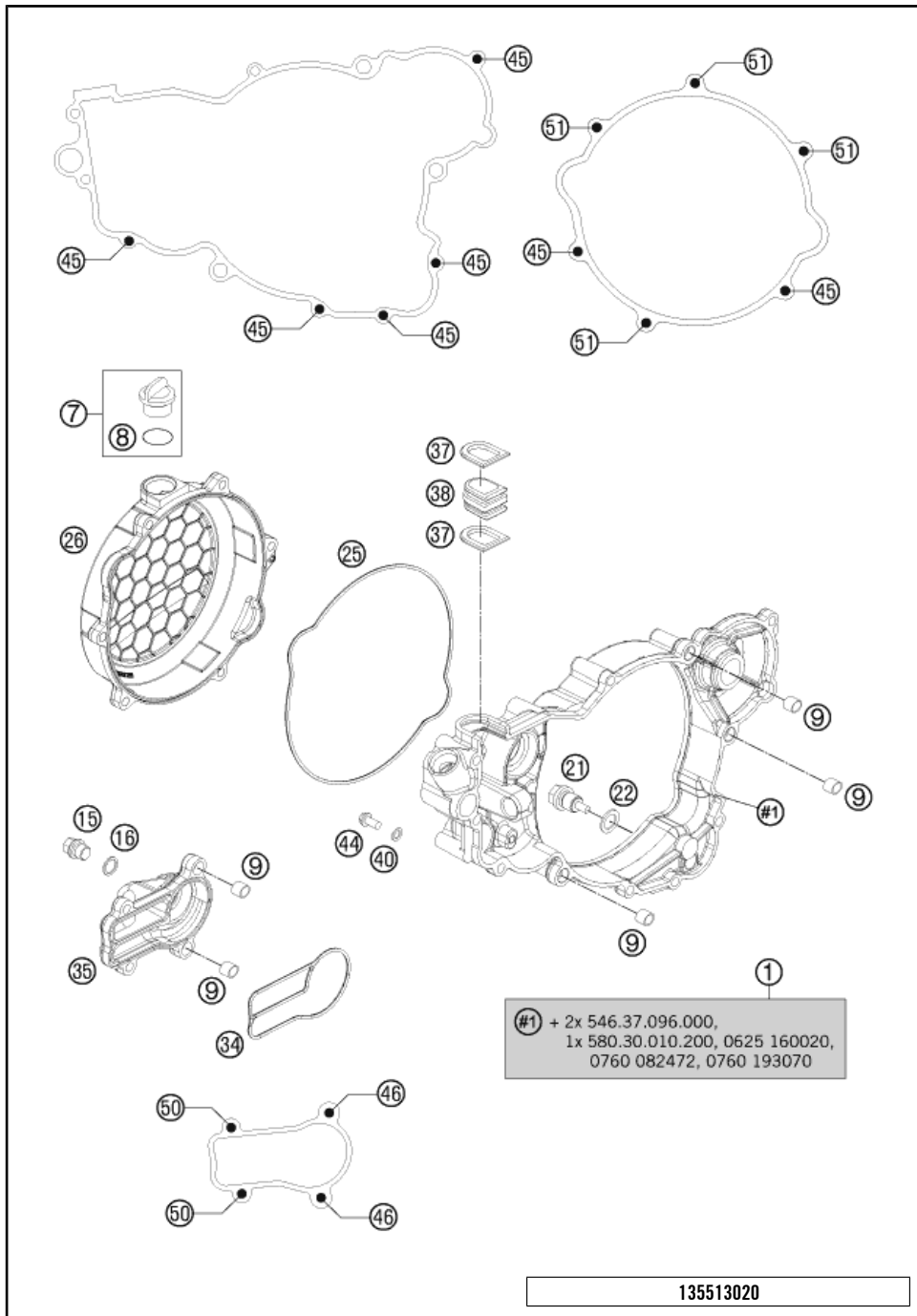
- #1 15 16 18 19 20 27 28 49

POS	PARTNUMBER	PARTNAME	PIECE
1	5513000344	ENGINE CASE CPL. 250/300 2012	1
15	0991060126	FLAT HEAD SCREW DIN7991-M 6X12	1
18	59033018000	BUSHING PIN 2000	1
19	0912060123	AH SCREW DIN0912-M 6X12	1
20	0912060404	AH SCREW DIN0912-M 6X40 A2	1
26	54830024000	CLUTCH COVER GASKET 2003	1
27	54630027000	DOWEL BUSHING 13,8X11X12	1
28	54830027000	DOWEL 21X12 03	1
39	54830039000	ENGINE CASE GASKET 2003	1
49	54634049000	RETAINING PLATE	1
60	0025060406	HH COLLAR SCREW M6X40 TX30	9
63	0025060556	HH COLLAR SCREW M6X55 TX30	2
64	0025060606	HH COLLAR SCREW M6X60 TX30	1
99	55130099000	GASKET SET 250/300 08	x

135513011

C135513011

* NEW PART X ON DEMAND

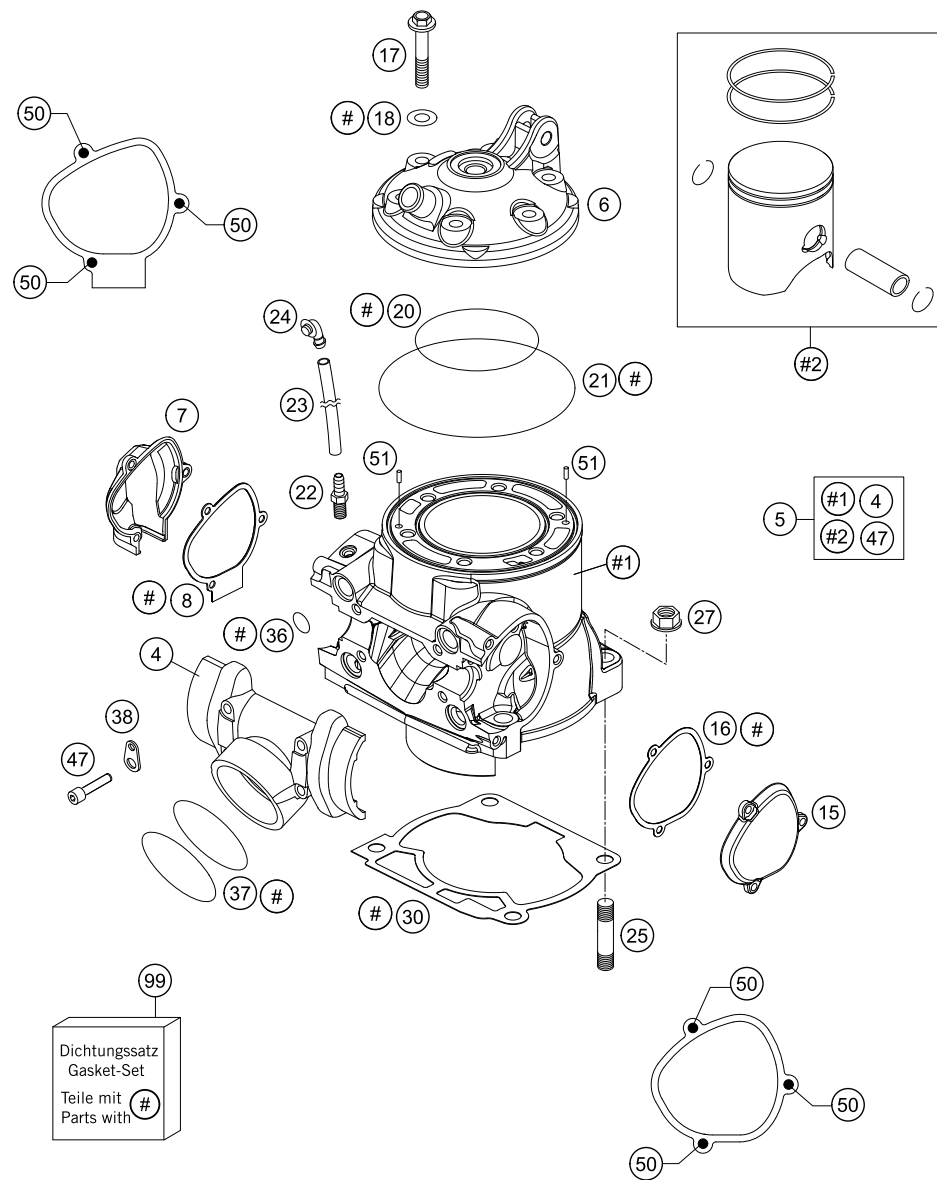


POS	PARTNUMBER	PARTNAME	PIECE
1	54830001244	INTERM. CLUTCH COVER CPL.	1
7	58030120000	OIL FILLER CAP M24x3 WITH O-R	1
8	0770191015	O-RING 19,00X3,00 NBR	1
9	49030090000	DOWEL 9,8 X 7 X 10	5
15	0910100003	PLUG DIN0910-M 10X1	1
16	0603100141	COPPER GASKET DIN7603-10X14X1	1
21	58030021000	OILDRAIN PLUG W.MAG. M 12X1,5	1
22	58038022000	CU-SEAL RING DIN7603-12X18X1,5	1
25	55130027000	CLUTCH COVER GASKET	1
26	55130626000KA	CLUTCH COVER OUTSIDE "HQV" 14	1
34	54835003000	GASKET WAPU-COVER 250 2003	1
35	54835001100	WATERPUMP COVER 250/300	1
37	54637107000	SEALING ELEMENT BOTTOM	2
38	54837091100	SEALING CARRIER 07	1
40	0603061001	CU-SEAL RING DIN7603-6X10X1	1
44	0025060126	HH COLLAR SCREW M6X12 TX30	1
45	0025060206	HH COLLAR SCREW M6X20 TX30	7
46	0025060256	HH COLLAR SCREW M6X25 TX30	2
50	0025060556	HH COLLAR SCREW M6X55 TX30	2
51	0025060606	HH COLLAR SCREW M6X60 TX30	4

135513020

C145483021

* NEW PART X ON DEMAND



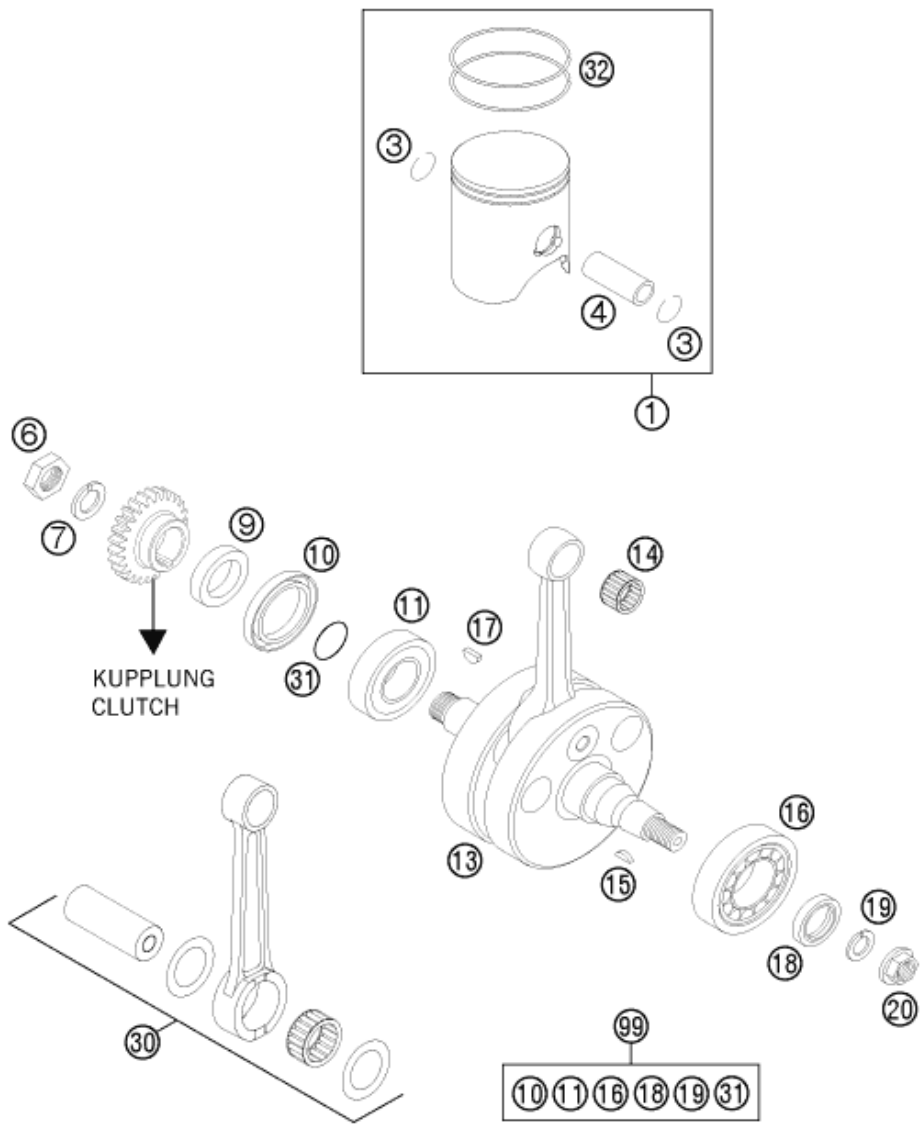
POS	PARTNUMBER	PARTNAME	PIECE
4	54837001200	INTERMEDIATE FLANGE 250/300 07	1
5	54830338300	CYLINDER + PISTON CPL. 2012	1
6	54830306700	CYLINDER HEAD 300 XC/EXC	1
7	5483700700015	CONTROL COVER R/S 09	1
8	54837008000	GASKET FOR CONTROL COVER R/S	1
15	5483700500015	CONTROL COVER L/S 09	1
16	54837006000	GASKET FOR CONTROL COVER L/S	1
17	54830079000	COLLAR SCREW M 8X35 WS=13	6
18	56530080000	CU-SEAL RING 8 X 16 X 1	6
20	0770078020	O-RING 78,00X2,00 VIT. BLACK	1
21	0770105020	O-RING 105,00X2,00 07	1
22	58336020090	VACUUM CONNECTION M 6X1	1
23	50335030001	PVC-HOSE 6X9	x
24	50303089000	ANGLE PIECE '97	1
25	0835100351	STUD DIN0835-M10X35	4
27	54630044000	COLLAR NUT M10 WS=13	4
30	54830030002	GASKET CYLINDER BASE 0,2MM 03	x
30	54830030004	GASKET CYLINDER BASE 0,4MM 03	x
30	54830030005	GASKET CYLINDER BASE 0,5MM 03	x
30	54830030075	GASKET CYLINDER BASE 0,75MM 03	x
36	0770116241	O-RING 11,3 X2,4 SILICON	4
37	0770440030	O-RING 44,00X3,00 VITON	2
38	51005074000	RETAINING PLATE	2
47	0912060303	AH SCREW DIN0912-M 6X30	4
50	58605083014	SCREW M5X14 TORX 25 07	6
51	0402040980	NEEDLE ROL.DIN5402 NRB 4X9,8	2
99	54830097300	GASKET SET CYL. 300EX-E 08-12	1

148133050

C148133052

* NEW PART

X ON DEMAND

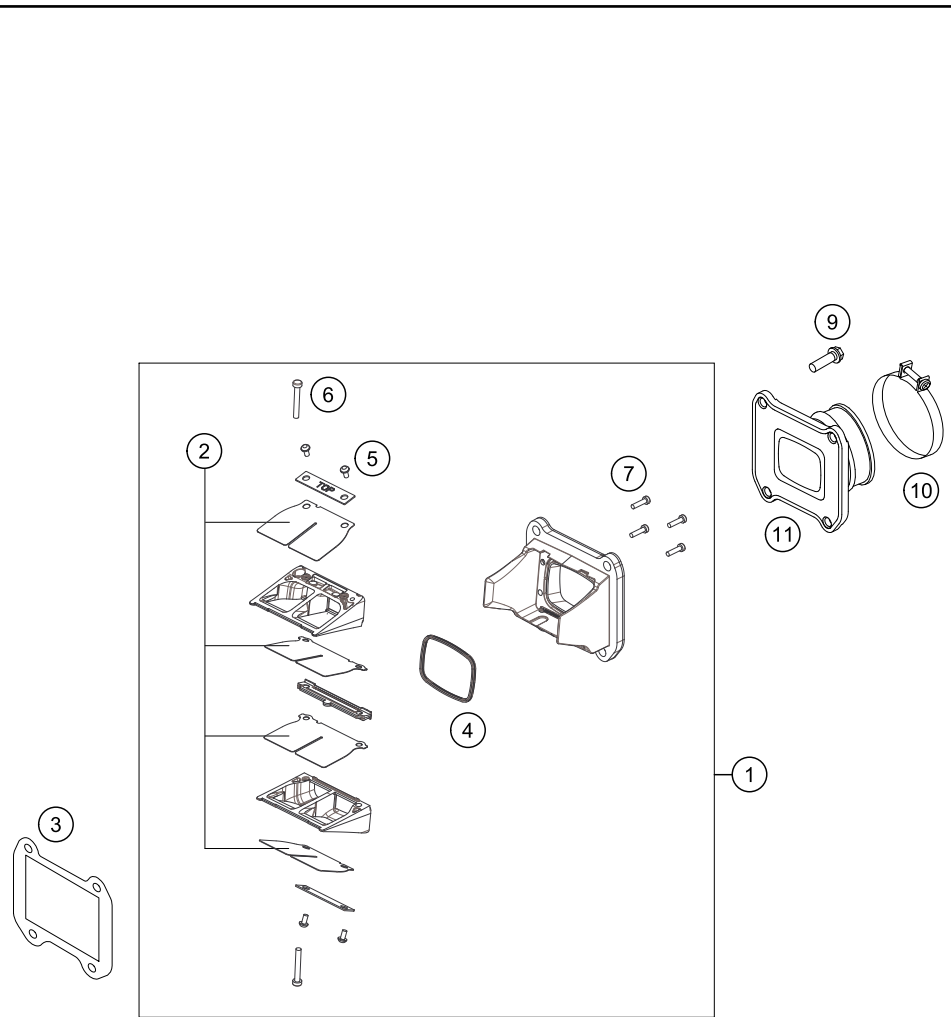


POS	PARTNUMBER	PARTNAME	PIECE
1	54830107200 I	PISTON CPL. GR 1 D=71.925	1
1	54830107200 II	PISTON CPL. GR 2 D=71.935	1
3	54030074000	WIRE LOCK RING C18X1,5	2
4	54830233000	PISTON PIN	1
6	54630029000	HEX.NUT L/SH M18X1,5	1
7	58132072000	LOCK WASHER VSK 18	1
9	54830016000	SPACER SLEEVE 28X38X10 03	1
10	0760385273	SHAFT SEAL RING 38X52X7BTSL	1
11	0625623204	BALL BEARING 32X65X17 NTN	1
13	54830118200	CRANKSHAFT 250/300 EXC-MXC 08	1
14	54430034000	NEEDLE BEARING KBK 18X22X20	1
15	0888030050	WOODRUFF KEY DIN6888-3X5X13	1
16	56530123200	CYLIND.ROL.BEAR. NJ207ET2XCS42	1
17	6946005	WOODRUFF KEY 5X6,5 HARDED	1
18	0760253570	SHAFT SEAL RING 25X35X7 BTSL	1
19	50230029012	LOCKING RING VSK 12	1
20	49030021000	COLLAR NUT M12X1 R/S	1
30	54830015144	CONROD REP. KIT 250/300	1
31	0770250015	O-RING 25,00X1,50 NBR 70	1
32	54830132000	R-RING 72,0MM 300 2004	2
99	00050002301	CRANKSHAF REP. KIT 250-300	x

115483060

C125483062

* NEW PART X ON DEMAND



POS	PARTNUMBER	PARTNAME	PIECE
1	54830151044	REED VALVE ASSY CPL.	1
2	54830052344	REED VALVE SET	1
3	54830062200	GASKET REED VALVE CASE	1
4	54830153050	GASKET SUPPORTING PLATE	1
5	0081030063	EJOT DELTA PT SCREW 30X6	4
6	0081035253	EJOT DELTA PT SCREW 35X25	2
7	0081030124	EJOT DELTA PT SCREW 30X12	4
9	0025060206	HH COLLAR SCREW M6X20 TX30	4
10	54330061000	CLAMP 52/12 GEMI	1
11	54830050000	INTAKE FLANGE V-FORCE 04	1

145483070

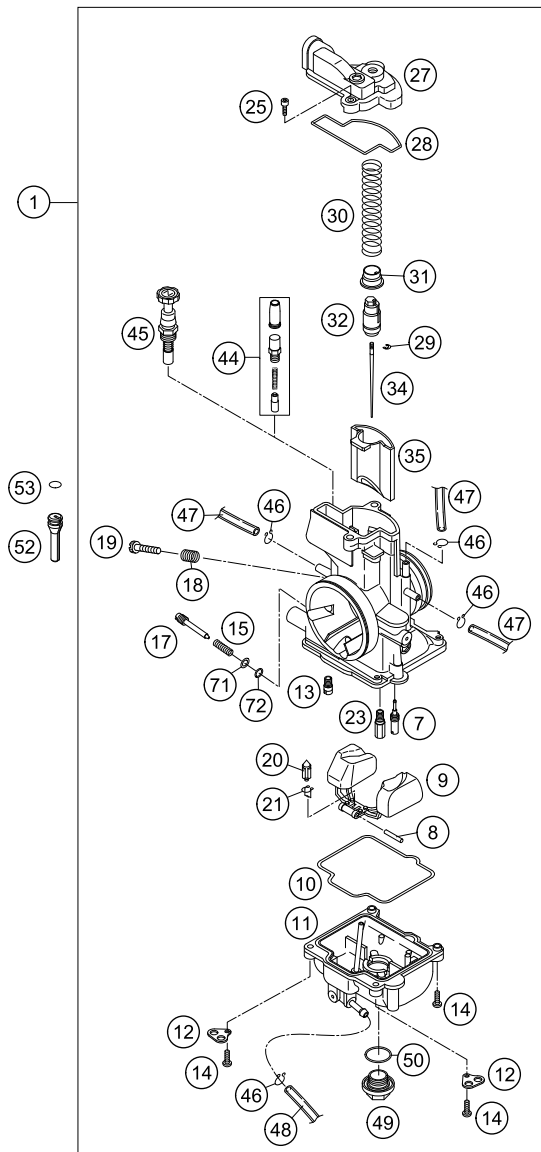
C148133070

* NEW PART

X ON DEMAND

ACHTUNG !!!
Vor dem Einbau des Vergasers,
Bedüsung kontrollieren.

CAUTION !!!
Before mounting the carburetor,
check the jetting.



145243110

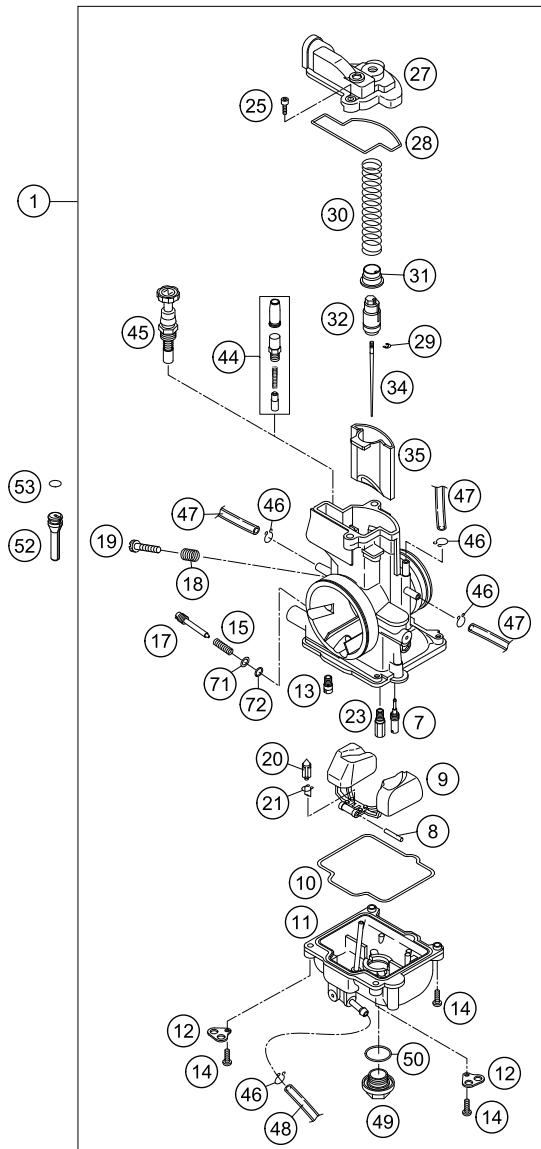
POS	PARTNUMBER	PARTNAME	PIECE
1	54831201544	CARBURET.KEIH.PWK 36S AG BC5	X
7	54831007138	IDLE JET SIZE 38X38 KEIHIN	X
7	54531607035	IDLE JET 35 KEIHIN	X
7	54531607038	IDLE JET 38 KEIHIN	X
7	54531607040	IDLE JET 40 KEIHIN	X
7	54531607042	IDLE JET 42 KEIHIN	X
7	54531607045	IDLE JET 45 KEIHIN	X
7	54531607048	IDLE JET 48 KEIHIN	X
7	54531607050	IDLE JET 50 KEIHIN	X
8	57331008000	ARM PIN FLOAT	1
9	57331009000	FLOAT CPL.	1
10	54831010000	GASKET FLOAT CHAMBER	1
11	54831011000	FLOAT CHAMBER PWK38-S AG	1
12	54531612100	RETAINING PLATE FOR BLEEDER	2
13	54831051050	STARTER JET 50 KEIHIN	X
13	54831051085	STARTER JET 85 KEIHIN	X
14	0016040163	HH COLLAR SCREW M 4X16 WS=6	4
15	54531615000	SPRING FOR ADJUSTMENT SCREW	1
17	54831017000	STOP SCREW CPL.	1
18	54631118000	SPRING	1
19	54631219100	ADJUSTMENT SCREW M 5	1
20	54631220000	FLOAT NEEDLE	1
21	54531621000	CLAMP	1
23	54531623115	MAIN JET 115 KEIHIN	X
23	54531623150	MAIN JET 150 KEIHIN	X
23	54531623152	MAIN JET 152 KEIHIN	X
23	54531623155	MAIN JET 155 KEIHIN	X
23	54531623158	MAIN JET 158 KEIHIN	X
23	54531623160	MAIN JET 160 KEIHIN	X
23	54531623162	MAIN JET 162 KEIHIN	X
23	54531623165	MAIN JET 165 KEIHIN	X
23	54531623168	MAIN JET 168 KEIHIN	X
23	54531623170	MAIN JET 170 KEIHIN	X
23	54531623172	MAIN JET 172 KEIHIN	X
23	54531623175	MAIN JET 175 KEIHIN	X
25	54831025000	SPECIAL-AH-SCREW M 4X12	2
27	54831127000	CARBURETOR COVER PWK36-S AG	1
28	54831028000	GASKET FOR CARBURETOR COVER	1

C145513110

* NEW PART X ON DEMAND

ACHTUNG !!!
Vor dem Einbau des Vergasers,
Bedüsung kontrollieren.

CAUTION !!!
Before mounting the carburetor,
check the jetting.



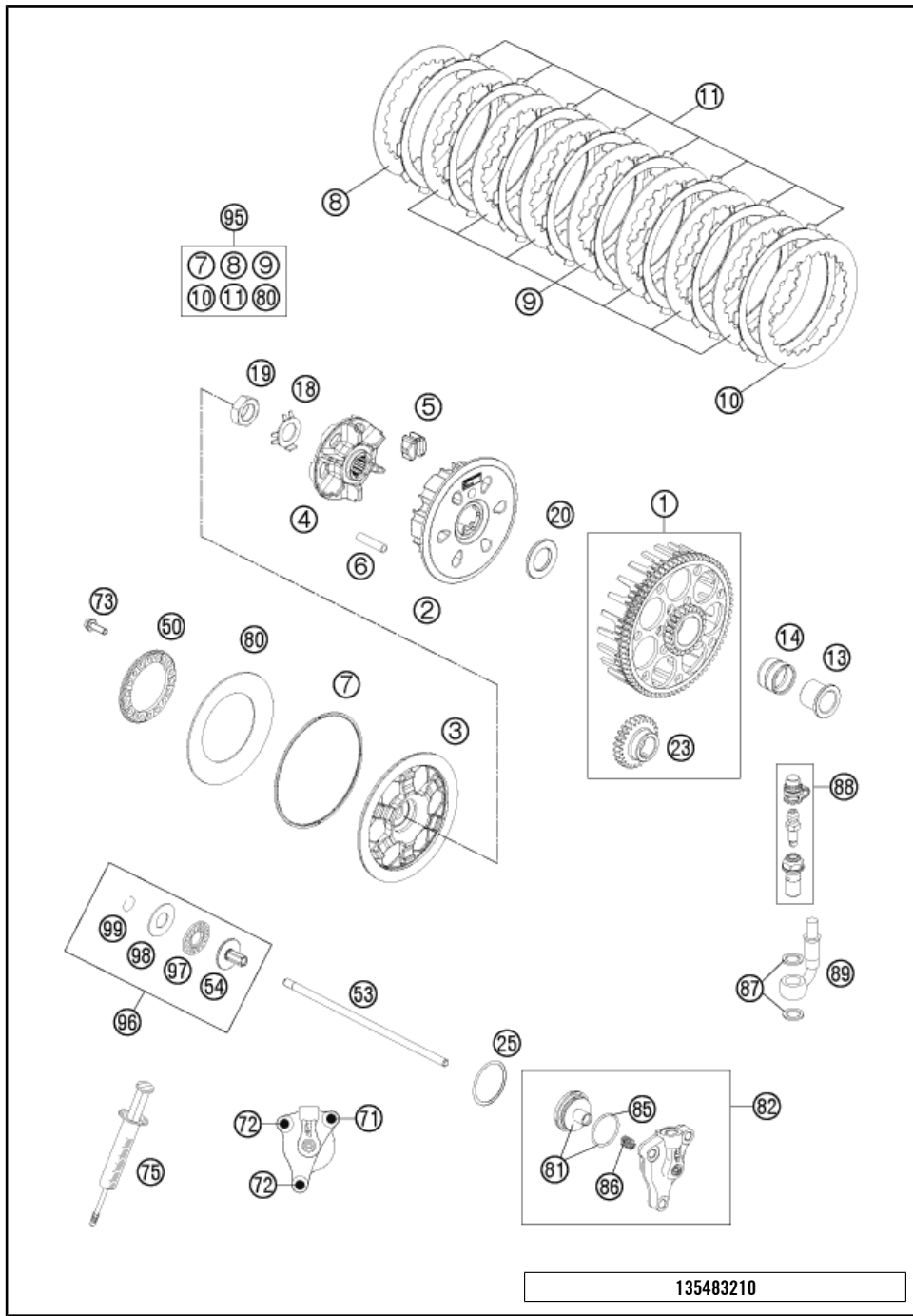
145243110

POS	PARTNUMBER	PARTNAME	PIECE
29	54531629000	CLIP FOR JET NEEDLE	1
30	54831030000	SLIDING SPRING	1
31	54631231000	SPRING CAP	1
32	54631232000	NIPPLE	1
34	54831134000	JET NEEDLE N4DL	x
34	54831134100	JET NEEDLE N4DK	x
34	54831134200	JET NEEDLE N4DJ	x
34	54831134300	JET NEEDLE N4DW	x
34	54831134400	JET NEEDLE N4DH	x
34	54831134500	JET NEEDLE N4DG	x
35	54631035000	THROTTLE VALVE 7 FOR 38 PJ '00	1
44	58502096044	CONNECT. COLD START CABLE CPL. ONLY FOR EU	1
45	54631245000	STARTER PISTON CPL.	1
46	54531696000	CLAMP 6 MM	5
47	31007007101	PVC-HOSE 4X6MM	2
48	52031137001	PVC-HOSE 3X5MM	0
49	54531699000	PLUG M 18X1	1
50	0770180230	O-RING 18,00X2,30 NBR 70	1
52	52331029000	SLIDE STOP L=36 08	x
52	50331029038	SLIDE STOP L=38MM	x
53	0770060018	O-RING 6,00X1,78	x
71	54831071000	WASHER ADJUSTING SCREW	1
72	54831072000	O-RING ADJUSTING SCREW	1

C145513110

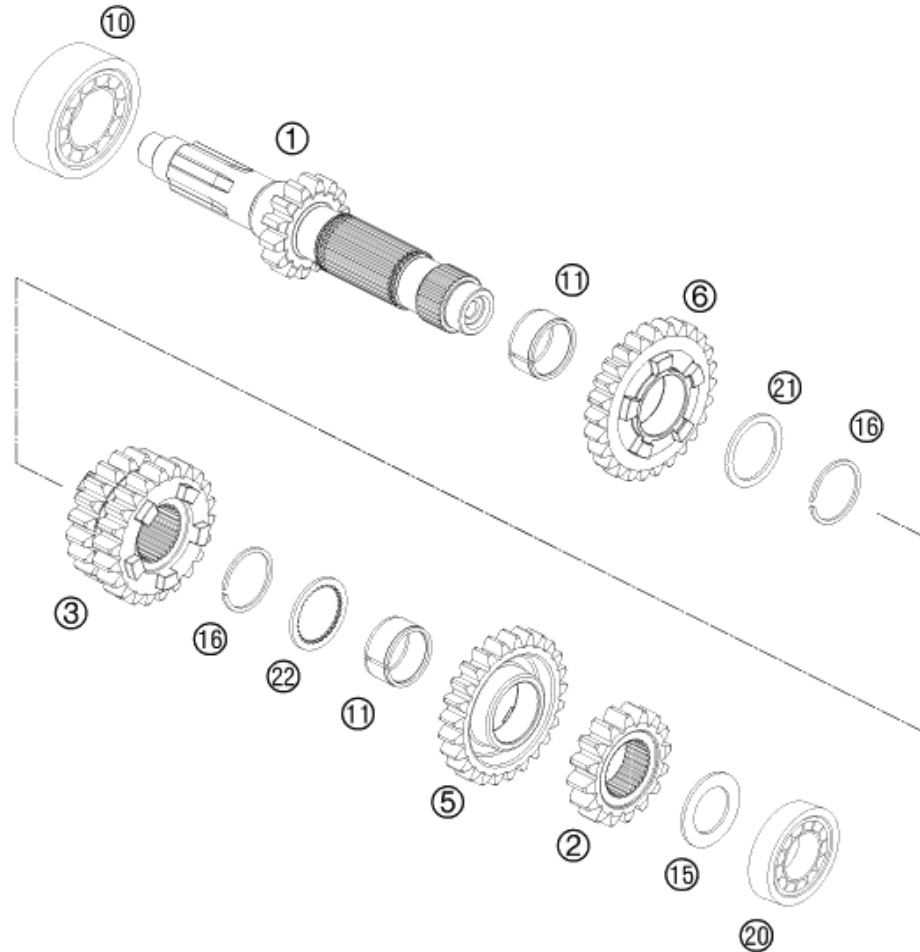
* NEW PART

X ON DEMAND



POS	PARTNUMBER	PARTNAME	PIECE
1	54832024044	CLUTCH CAGE INCL. PRIM. WHEEL	1
2	54832002100	INNER CLUTCH HUB	1
3	78132003000	PRESSURE PLATE	1
4	54832002111	CLUTCH HUB	1
5	78132025100	DAMPING RUBBER	6
6	78132004000	SLEEVE 7,5X33.4	6
7	78132013000	WASHER 112X118X1.5	1
8	59032010100	INTERMEDIATE DISC 1MM 2002	1
9	59032010200	INTERMEDIATE DISC 1,4MM 2002	7
10	78932010000	INTERMEDIATE DISC 1MM	1
11	54832011100	LINING DISC 1,95 MM	8
13	54832015100	INNER RING 21.65X26X24.5	1
14	56532095000	NEEDLE BEARING K26X30X22ZW.KSE	1
18	78132018000	TAB WASHER	1
19	0936181505	HEXAGON NUT DIN0936-M18X1,5 R.	1
20	54832009000	WASHER 21.7 X 37 X 2.5	1
23	54832000026	PRIMARY GEAR 26T 2003	1
25	0770300015	O-RING 30,00X1,50 NBR 70	1
50	54832006000	SPRING RING	1
53	54832054100	PUSH ROD	1
54	78032057000	PRESSURE PIECE	1
71	0025060306	HH COLLAR SCREW M6X30 TX30	1
72	0025060206	HH COLLAR SCREW M6X20 TX30	2
73	0025050166	HH COLLAR SCREW M5X16 TX30	6
75	50329050000	VENT INJEKTION HYDR. CLUTCH	1
80	78132005000	BELLEVILLE SPRING 71X115X1,5 I	1
81	54832066000	PISTON CPL.	1
82	54832061044	OUTPUT CYLINDER CPL. 06	1
85	54832067000	O-RING	1
86	54832069000	PRESSURE SPRING	1
87	0603100141	COPPER GASKET DIN7603-10X14X1	2
88	62513020000	BLEEDER SCREW CPL. 05	1
89	54832063000	CLUTCH PIPE 06	1
95	54832011110	CLUTCH KIT 250/300 13-14	x
96	78032057044	PRESSURE PIECE CPL. 08	1
97	54637097200	AXIAL NEEDLE BEARING AXK 1226	1
98	54637098200	AXIAL WASHER AS1226 12X26X1	1
99	0993012000	CIRCLIP DIN7993-RW12	1

* NEW PART X ON DEMAND



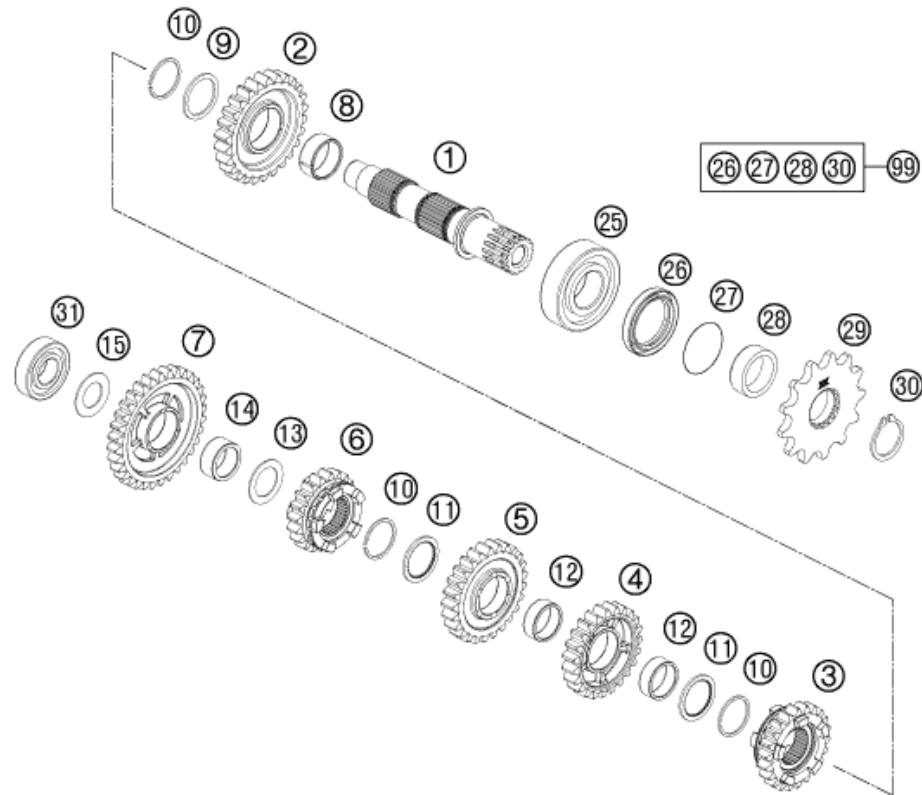
POS	PARTNUMBER	PARTNAME	PIECE
1	54833201100	MAIN SHAFT CPL. 14T	1
2	54833202000	SOLID GEAR	1
3	54833203000	SLIDING GEAR 3./4.GANG,Z=20/22	1
5	54833205000	IDLER GEAR 5.G, Z =25	1
6	54833206000	IDLER GEAR 6. G, Z=26	1
10	0625062054	BALL BEARING 6205 C3 NTN	1
11	0405222613	NEEDLE BEAR. K 22X26X13 TN	2
15	54633015000	STOP DISK 20,2X33X1,5	1
16	0417024000	CIRCLIP WS24	2
20	0625160040	GROOVED BALL BEAR. TM 16004 C3	1
21	54833044000	STOP DISC 25X31X1,5	1
22	54833043000	STOP DISC 25X0,8X30X30X7H	1

125483330

C135513331

* NEW PART

X ON DEMAND



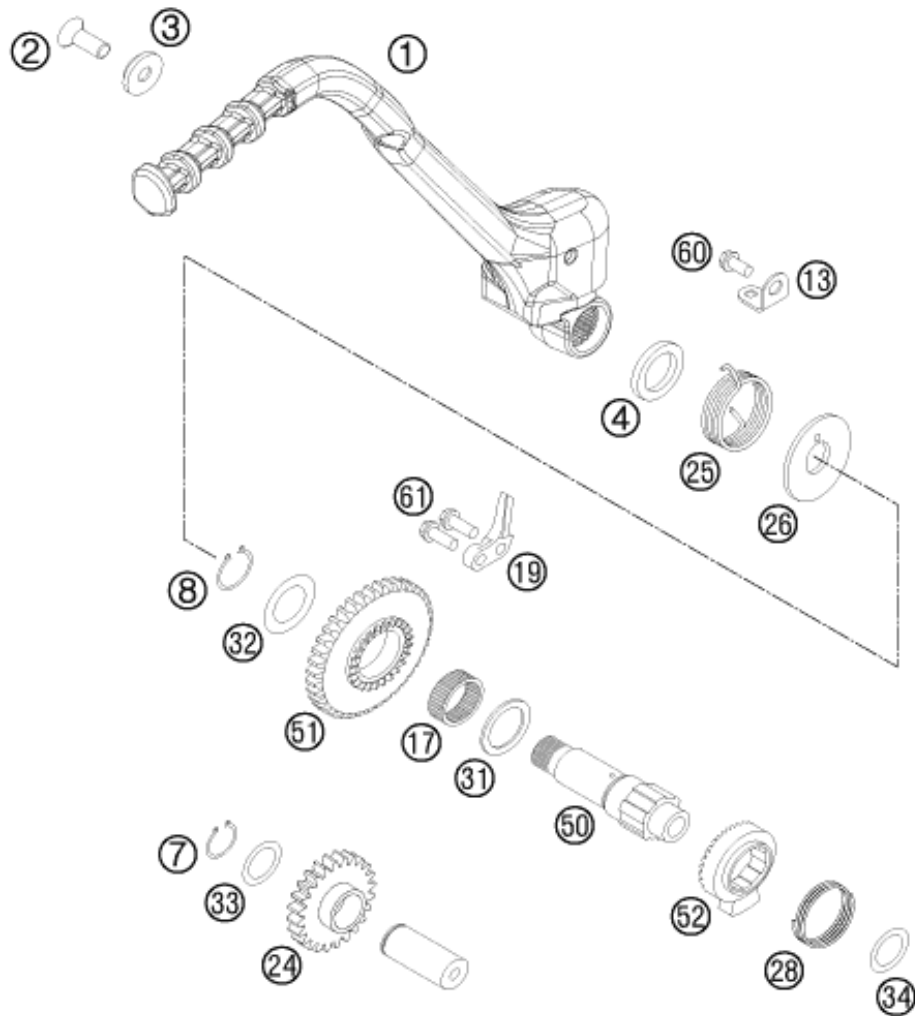
POS	PARTNUMBER	PARTNAME	PIECE
1	54833210100	COUNTER SHAFT CPL.	1
2	54833212000	IDLER GEAR 2. G., Z=26	1
3	54833215000	SLIDING GEAR 5.G., Z=22	1
4	54833214000	IDLER GEAR 4.G., Z=23	1
5	54833213000	IDLER GEAR 3.G., Z= 25	1
6	54833216000	SLIDING GEAR 6.G., Z=20	1
7	54833211000	IDLER GEAR 1. G, Z=32	1
8	0405242812	NEEDLE BEAR. K24X28X11,9 DIV.	1
9	54833044000	STOP DISC 25X31X1,5	1
10	0417024000	CIRCLIP WS24	3
11	54833043000	STOP DISC 25X0,8X30X30X7H	2
12	0405222611	NEEDLE BEAR.K 22X26X10 DIVIDED	2
13	54833080000	STOP DISC 20,2X30X1	1
14	0405202612	NEEDLE BEARING K 20X26X12	1
15	56033030000	STOP DISC 17,2X30X1	1
25	54833025000	BALL BEARING TM-SC05C20C4 NTN	1
26	0760324571	SHAFT SEAL RING 32X45X7 BSLNBR	1
27	0770250020	O-RING 25,00X2,00 NBR 70	1
28	54833032011	SPACER SLEEVE DRIVE END 2003	1
29	50033029013	FRONT SPROCKET 13-T	1
29	50033029014	FRONT SPROCKET 14-T	x
30	52033096000	LOCK RING DIN0471-25X1,64SD	1
31	0625062035	BALL BEARING 6203 JR2 C3	1
99	00050000940	COUNTER SHAFT REP.KIT 2 STROKE	x

115483360

C135513362

* NEW PART

X ON DEMAND



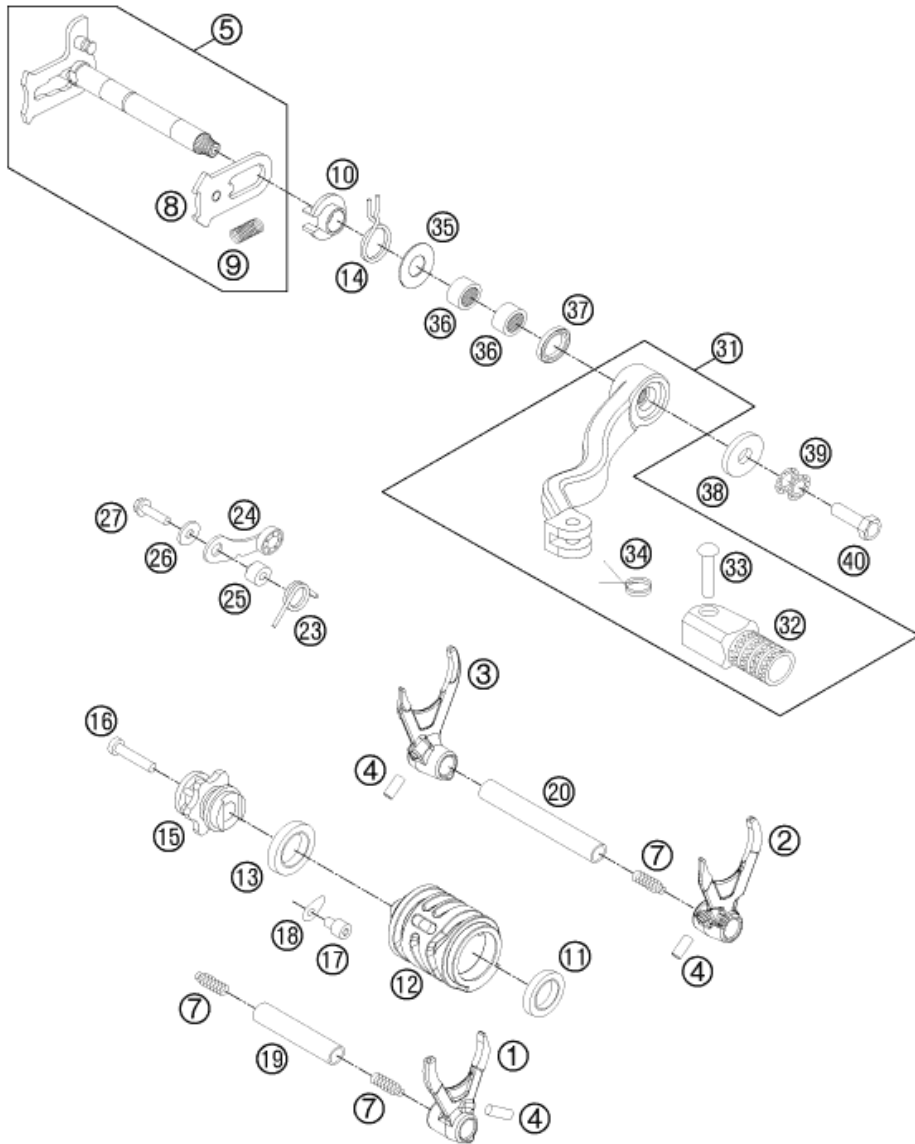
POS	PARTNUMBER	PARTNAME	PIECE
1	77133070144	KICKSTARTER CPL.	1
2	0019080206S	FLAT HEAD SCREW M. ISA45 M8X20	1
3	54633037000	WASHER 8MM GALVANIZED	1
4	0760193070	SHAFT SEAL RING 19X30X7 B	1
7	0471170010	CIRCLIP DIN0471-17X1	1
8	0471190120	CIRCLIP DIN0471-19X1,2	1
13	54633074000	SPRING HANGER	1
17	0405222610	% NEEDLE BEARING K 22X26X10 A	1
19	59033069000	BUMP PART	1
24	54833024000	INTERMEDIATE GEAR 2003	1
25	54633025000	KICKSTARTER SPRING	1
26	54633026000	DRIVING HUB	1
28	58033028000	RATCHET GEAR SPRING 1,2 MM	1
31	58033031000	STOP DISK 22,2 X 30 X 1,5	1
32	59033080000	SHIM 20X32X1	1
33	54633090000	STOP DISK 17,2X25X1	1
34	0988172405	SHIM WASHER DIN0988-17X24X0,5	1
50	59033050100	KICKSTARTER SHAFT	1
51	54833051034	KICKSTARTER GEAR 34-T 03	1
52	59033052000	RATCHET GEAR KICKSTARTER	1
60	0025060106	HH COLLAR SCREW M6X10 TX30	1
61	0025060206	HH COLLAR SCREW M6X20 TX30	2

115483390

C125483390

* NEW PART

X ON DEMAND



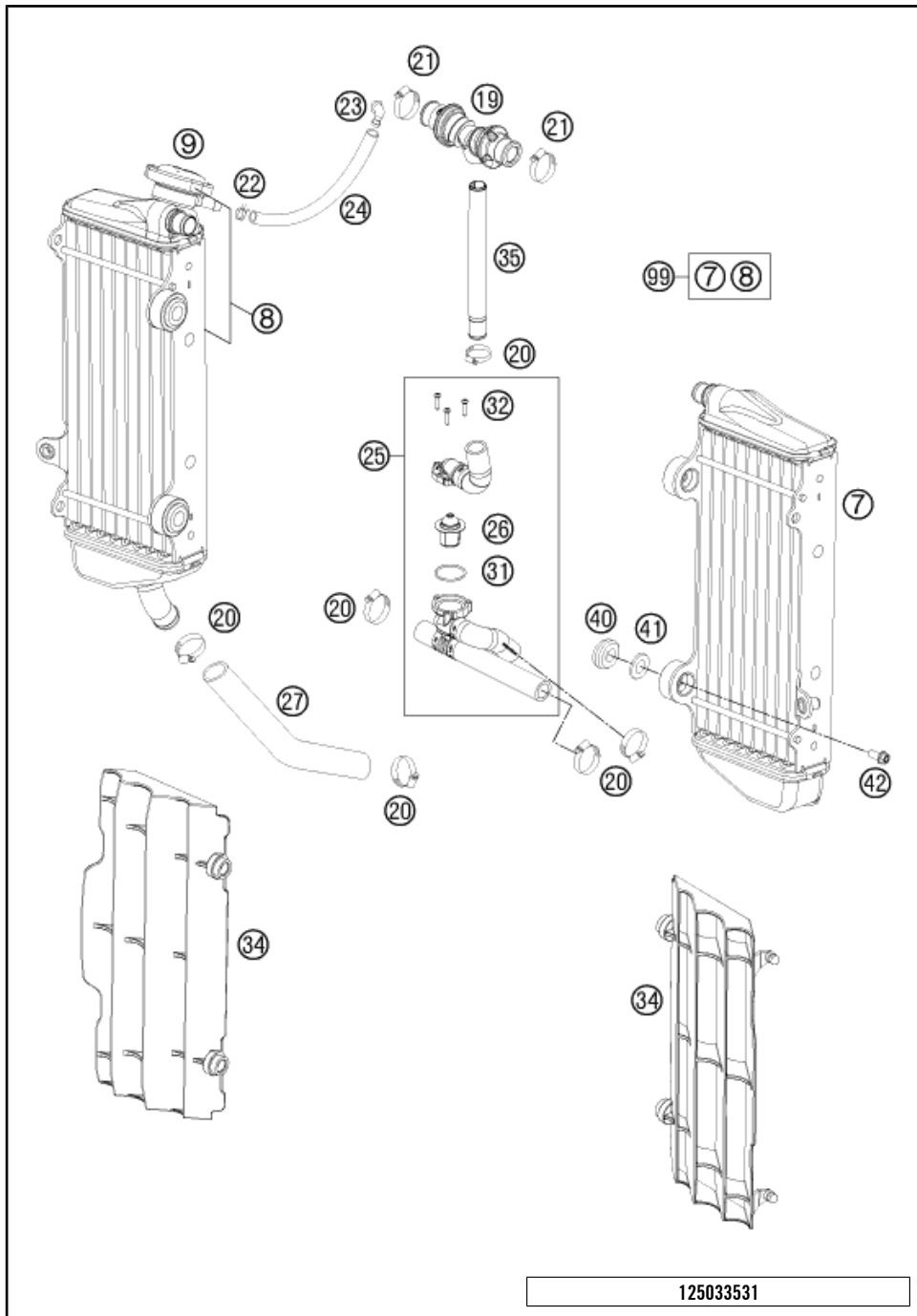
POS	PARTNUMBER	PARTNAME	PIECE
1	54834201000	SHIFT FORK 5./6.G.	1
2	54834202000	SHIFT FORK 2./4.G.	1
3	54834203000	SHIFT FORK 1./3. G.	1
4	0402061480	NEEDLE ROLLER DIN5402 6X14,8	3
5	54834005144	SHIFT SHAFT CPL.	1
7	58038023200	PRESSURE SPRING 0,9MM	3
8	54634008044	SLIDING PLATE CPL.	1
9	56534013100	TENSIONING SPRING 0,8MM	1
10	54634020000	SPRING GUIDE	1
11	0625069034	BALL BEARING 6903 C4	1
12	54834212000	SHIFTING DRUM	1
13	0625618050	BALL BEARING 61805 C3	1
14	54834014000	RETURN SPRING 03	1
15	54834015133	SHIFT DRUM LOCATING CPL.	1
16	0912060303	AH SCREW DIN0912-M 6X30	1
17	0912060083	AH SCREW DIN0912-M 6X 8	1
18	54634049000	RETAINING PLATE	1
19	54834019000	SHIFT. RAIL MAIN SHAFT 250/300	1
20	54834020000	SHIFT. RAIL C. SHAFT 250/300	1
23	54834023000	LOCKING LEVER SPRING 03	1
24	50334024144	LOCATING LEVER CPL. 08	1
25	54634052300	SLEEVE FOR LOCKING LEVER	1
26	0349000050	WASHER DIN7349-5X15X2	1
27	0025050206	HH COLLAR SCREW M5X20 TX30	1
31	54834031000	SHIFT LEVER CPL. 250/300 05	1
32	54634131000	STEP PLATE FOR SHIFT LEVER 250	1
33	54634031050	BOLT 6X25 FOR SHIFT LEVER	1
34	54634032100	SHIFTING LEVER SPRING 250	1
35	54634050000	STOP DISK 14X30X1	1
36	54632095000	NEEDLE BEAR.HK 1412 14X20X12	2
37	0760142460	SHAFT SEAL RING 14X24X6 B	1
38	50232050001	STEEL WASHER 6,4X17X3	1
39	50233041000	PAIR OF WASHERS M 6 NORDLOCK	1
40	0025060166S	HH COLLAR SCREW M6X16 ISA 30	1

115483410

C148133410

* NEW PART

X ON DEMAND

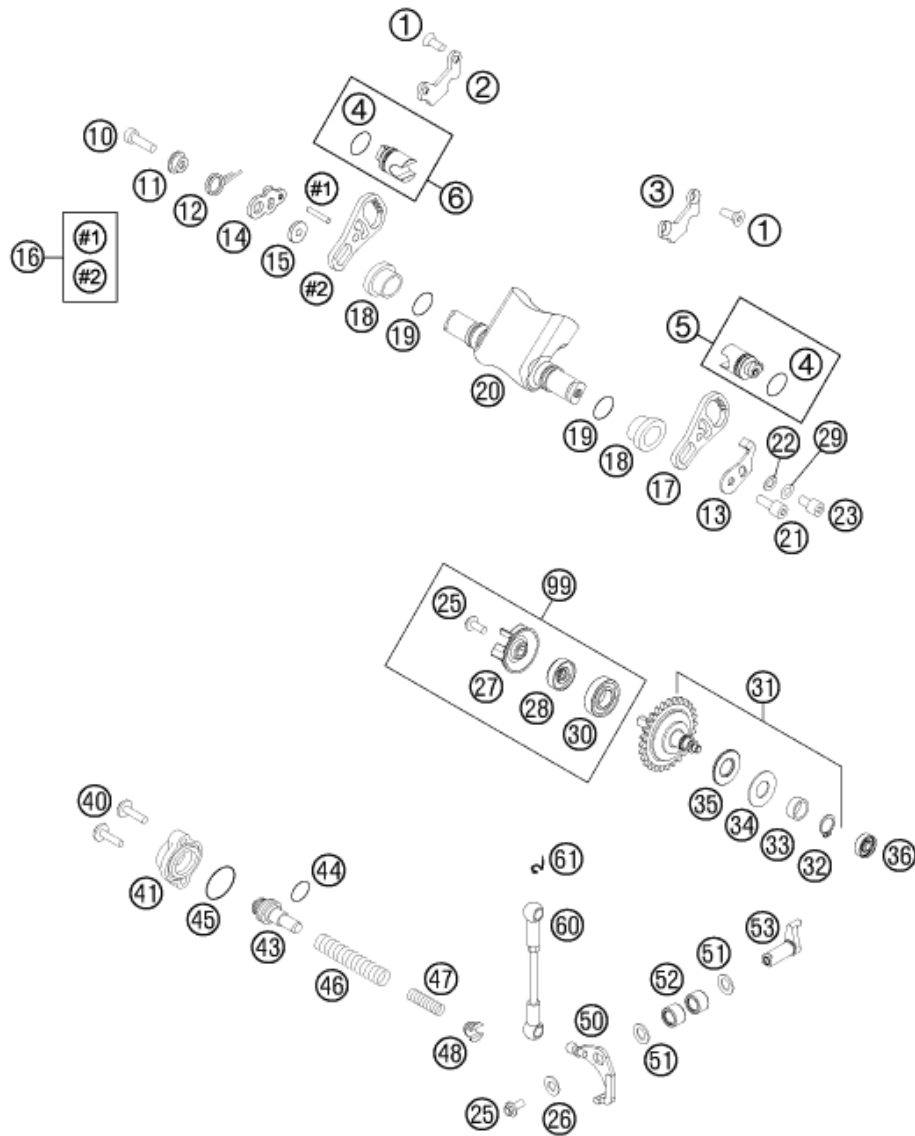


POS	PARTNUMBER	PARTNAME	PIECE
7	54835007400	RADIATOR L/S "15562U" 14	1
8	54835008600	RADIATOR R/S "15620U" 14	1
9	77335016000	RADIATOR CAP SMALL 1,8 BAR	1
19	77235071044	Y-CONNECTOR CPL.	1
20	10001020000	HOSE CLAMP GEMI 18-29	6
21	42013037400	HOSE CLAMP NORMA 12/24	2
22	59007017000	CLAMP YDNAC 10096F (9,6MM)	1
23	50303089000	ANGLE PIECE '97	1
24	50335030001	PVC-HOSE 6X9	x
25	54835626033	RADIATOR HOSE W. THERMO. '14	1
26	59435117000	THERMOSTAT 70°C	1
27	54835027000	RADIATOR HOSE 18X25X130 MM 03	1
31	0770320020	O-RING 32,00X2,00	1
32	0016040183	SCREW FOR PLASTIC D=4X18	3
34	7733503400030	RADIATOR PROTECTION BLACK 07	2
35	77235073000	HOSE CONNECTOR L=172,5	1
40	41001052000	RUBBER SLEEVE D=12MM	4
41	77335001000	WASHER FOR RADIATOR 08	4
42	0023060123	COLLAR SCREW M6X12 TX	4
99	00050000134	RADIATOR KIT 10-14	x

125033531

C148133533

* NEW PART X ON DEMAND



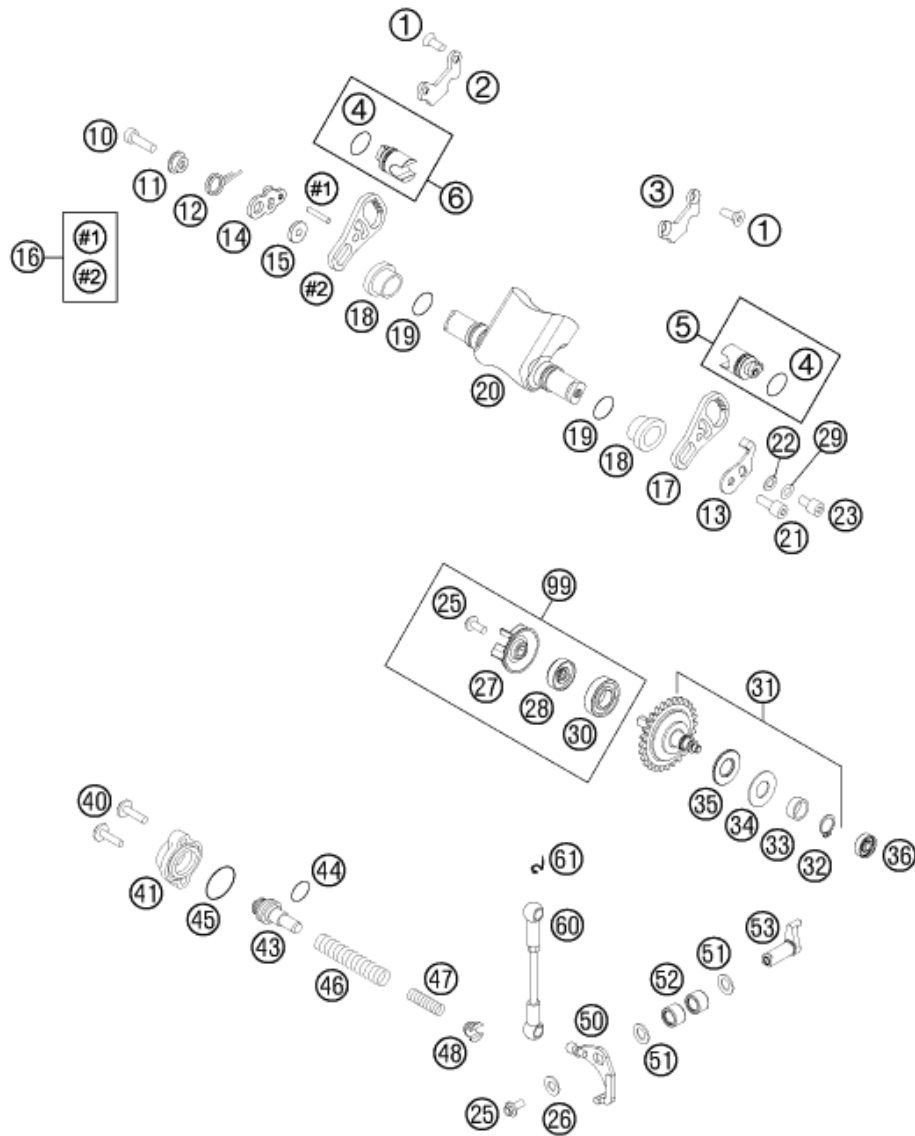
POS	PARTNUMBER	PARTNAME	PIECE
1	0019050106S	INT. TORX FLAT HEAD M5X10 10.9	4
2	54837362000	RETAINING PLATE 300 R/S 08	1
3	54837363000	RETAINING PLATE 300 L/S 08	1
4	0770160021	O-RING 16,00X2,00 VITON	2
5	54837361044	CONTROL VALVE 300 L/S CPL. 08	1
6	54837361144	CONTROL VALVE 300 R/S CPL. 08	1
10	0912060203	AH SCREW DIN0912-M 6X20	1
11	54637067000	SPRING SLEEVE	1
12	54637066000	OVERLOAD SPRING	1
13	54637085300	RETAIN.PLATE CONTROL FLAP '92	1
14	54637065000	CONTROL LEVER WITH BALL TYPE	1
15	54637068100	BUSHING SLEEVE	1
16	54837364044	GEAR SEGMENT RIGHT CPL. 08	1
17	54837364050	GEAR SEGMENT 300 L/S 08	1
18	54737019000	BEAR. SLEEVE F.CONTROL FLAP'97	2
19	0770150151	O-RING 15,00X1,50 VITON	2
20	54837320100	CONTROL FLAP 300 08	1
21	0912060163	AH SCREW DIN0912-M 6X16	1
22	54637056100	WASHER 6,5X11X2	1
23	0912060083	AH SCREW DIN0912-M 6X 8	1
25	0014050123	HH COLLAR SCREW M 5X12 WS=6	2
26	03490000050	WASHER DIN7349-5X15X2	1
27	54835005000	WATER PUMP WHEEL 07	1
28	0760082472	SHAFT SEAL RING 8X24X7 A DUO	1
29	0137060003	SPRING WASHER DIN0137-B 6	x
30	0625160020	BALL BEARING 16002 C3	1
31	54837050044	CENTRIFUGAL TIMER CPL. 250/300	1
32	0471120010	CIRCLIP DIN0471-12X1	1
33	54837054000	DISTANCE BUSH. CENTRIFUG.TIMER	1
34	54637071010	AXIAL WASHER AS1226	1
35	54637097200	AXIAL NEEDLE BEARING AXK 1226	1
36	54637098100	BALL BEARING 626LLBC3/5K	1
40	0014050203	HH COLLAR SCREW M 5X20 WS=6	2
41	54637070100	COVER LID 250-380'98	1
43	54837075000	SPRING GUIDE 250/300	1
44	0770021120	O-RING 12,37X2,62 NBR70	1
45	0770240020	O-RING 24,00X2,00 NBR70	1
46	54837069000	ADJUST. SPRING 2003	1

115513710

C135513710

* NEW PART

X ON DEMAND



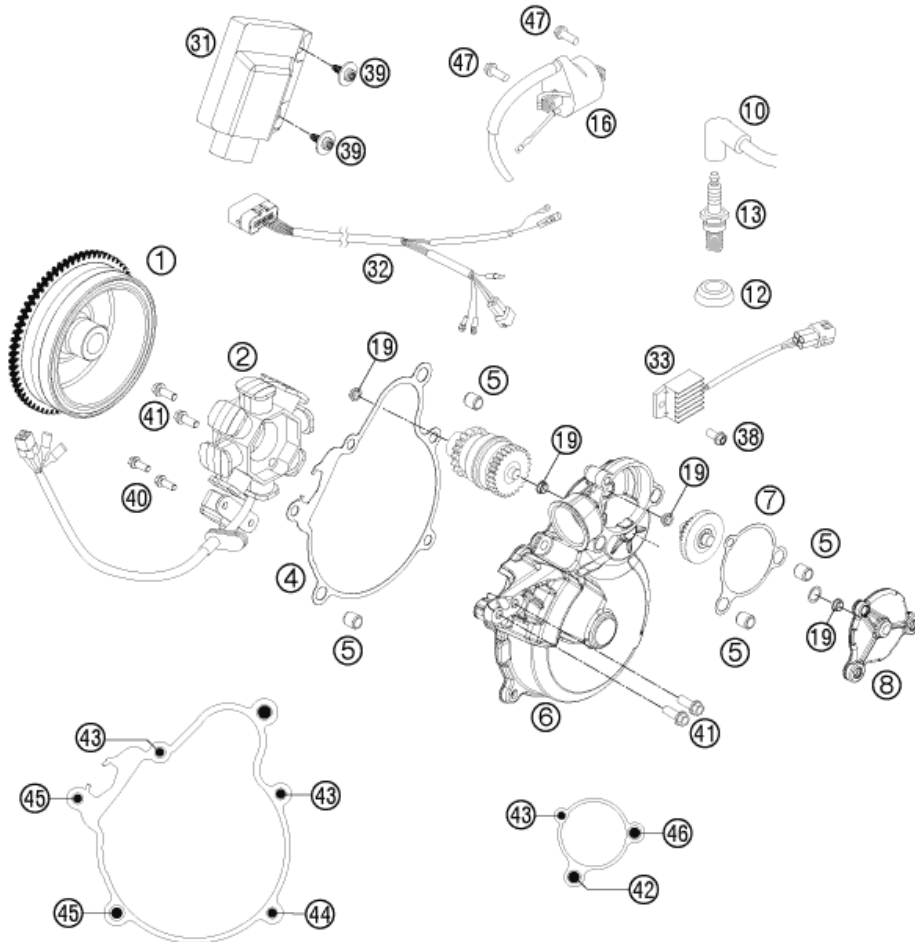
POS	PARTNUMBER	PARTNAME	PIECE
47	54837072000	AUXILIARY SPRING SOFT, RED	x
47	54637072300	AUXILIARY SPRING MID., YELLOW	1
47	54837072100	AUXILIARY SPRING HARD, GREEN	x
48	54637071200	SPRING INSERT	1
50	54637055244	ANGLE LEVER CPL. '91	1
51	0988101610	SHIM WASHER DIN988 10X16X1	2
52	54637096000	NEEDLE SLEEVE HK 1010	2
53	54837057000	CONTROL LEVER 03	1
60	54637095444	CONNECTING ROD CPL.	1
61	50237195055	SECURING DIN-71805-S-8	2
99	54835055110	WATER PUMP REP. KIT SX 07-14	x

115513710

C135513710

* NEW PART

X ON DEMAND



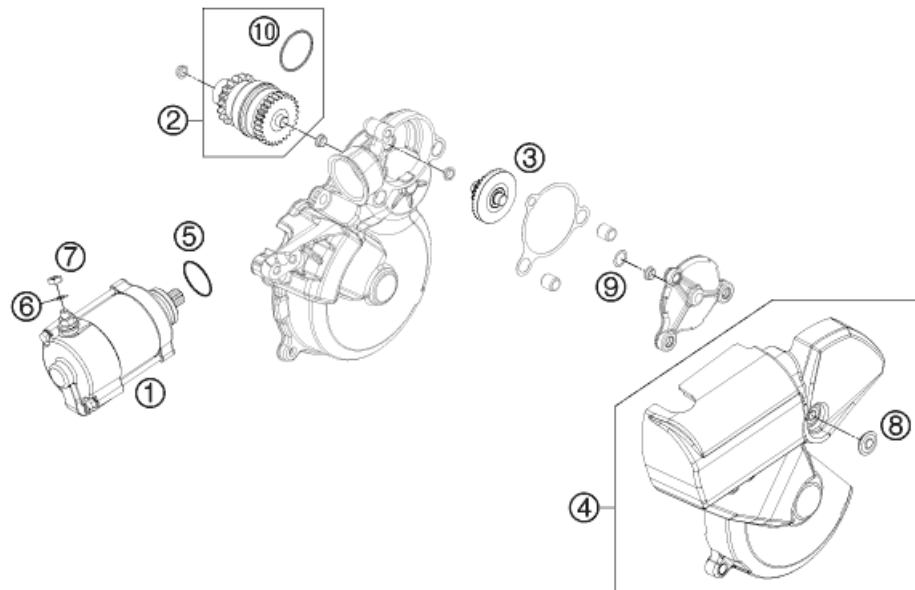
POS	PARTNUMBER	PARTNAME	PIECE
1	55139005000	FLYWHEEL KOKUSAN	1
2	55139004000	STATOR KOKUSAN	1
4	55130040000	IGNITI.COVER GASKET 07	1
5	49030090000	DOWEL 9,8 X 7 X 10	4
6	5513000230033	IGNITION COVER 14	1
7	55130041100	IGN. OUT SIDE COV. GASKET 07	1
8	5513004524433	OUTER IGNITION COVER CPL.	1
10	47039090000	SPARK PLUG CAP NGK REINFORC.04	1
12	50231012000	SEALING CUP FOR SPARK PLUG	1
13	54739093000	SPARK PLUG NGK BR7ES	1
16	59039006000	IGNITIONCOIL "IG5128"	1
19	55140030100	COLLAR BUSHING	4
31	54839331500	ELEKTRONICBOX 300EXC/XC 14	1
32	54839032200	WIRING HARNESS FOR CDI 2-ST.07	1
33	80011034000	VOLTAGE REGULATOR 04	1
38	0023060123	COLLAR SCREW M6X12 TX	1
39	0081645121	EJOT DELTA PT SCREW 45X12-Z	2
40	0014050123	HH COLLAR SCREW M 5X12 WS=6	2
41	0025060206	HH COLLAR SCREW M6X20 TX30	4
42	0025060256	HH COLLAR SCREW M6X25 TX30	1
43	0025060166	HH COLLAR SCREW M6X16 TX30	3
44	0025060306	HH COLLAR SCREW M6X30 TX30	1
45	0025060356	HH COLLAR SCREW M6X35 TX30	2
46	0025060706	HH COLLAR SCREW M6X70 TX30	1
47	0026060186	COLLAR SCREW M6X18 ISA30	2

135513910

C145483913

* NEW PART

X ON DEMAND



POS	PARTNUMBER	PARTNAME	PIECE
1	55140001100	STARTER MORIC	1
2	55140026100	BENDIX	1
3	55140022100	CROWN WHEEL E-STARTER	1
4	55140540044	STARTER DRIVE COVER CPL.	1
5	0770250030	O-RING 25,00X3,00 NBR 70	1
6	0125060003	WASHER DIN0125-A 6,4	1
7	0985060003	SELF LOCK. NUT DIN0985-M 6	1
8	50308052000	BUSH FOR SPOILER 6X11X16X5 MM	1
9	0988081401	THRUST WASHER 8X14X0,1	x
9	0988081402	THRUST WASHER 8X14X0,2	x
9	0988081403	THRUST WASHER 8X14X0,3	x
9	0988081405	THRUST WASHER 8X14X0,5	x
10	55140027000	BENDIXSPRING	1

135514010

C135514011

* NEW PART

X ON DEMAND

A large, empty rectangular box with a thin black border, occupying the majority of the page. It is intended for the student to write their notes during the lecture.



3CM084693NEN



Husqvarna Motorcycles GmbH
Stallhofnerstraße 3 | 5230 Mattighofen | Austria
www.husqvarna-motorcycles.com



THE PIONEERS OF MOTOCROSS