

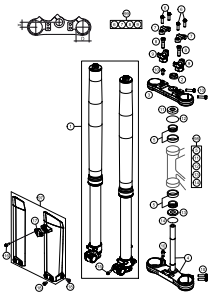
SPAREPARTSCATALOG

CHASSIS

ART.-NR.: 3CFF2001N8EN

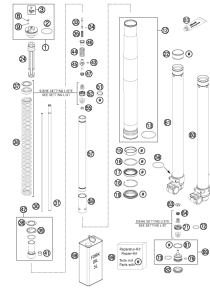
TC 85 17/14 2014

FRONT FORK, TRIPLE CLAMP



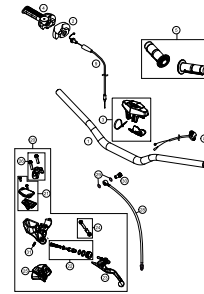
3

FRONT FORK DISASSEMBLED



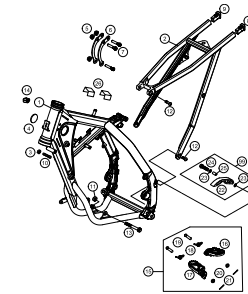
4

HANDLEBAR, CONTROLS



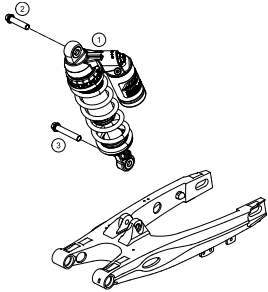
6

FRAME, SUB FRAME



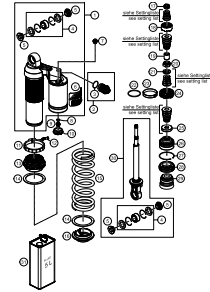
7

SHOCK ABSORBER



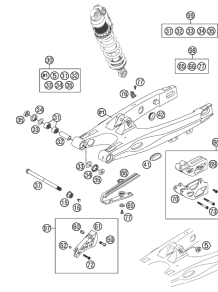
8

SHOCK ABSORBER DISASSEMBLED



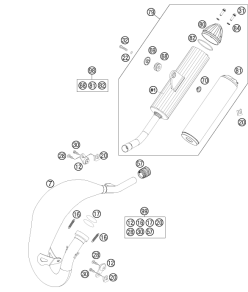
9

SWING ARM



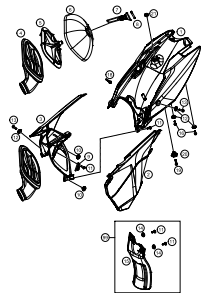
10

EXHAUST SYSTEM



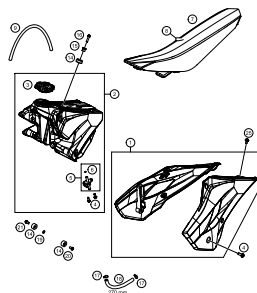
11

AIR FILTER



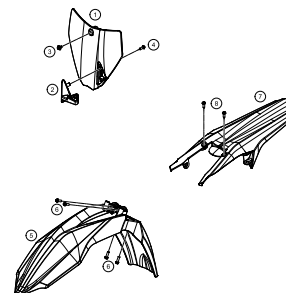
12

TANK, SEAT, COVER



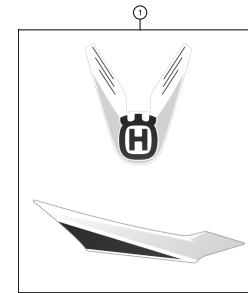
13

MASK, FENDERS



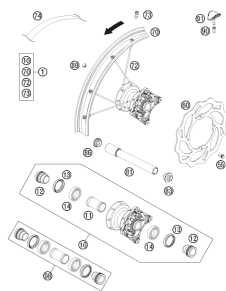
14

DECAL



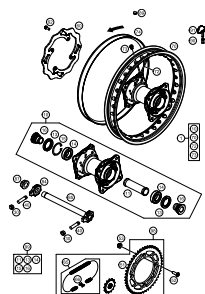
15

FRONT WHEEL



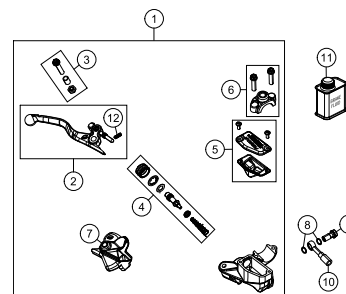
16

REAR WHEEL



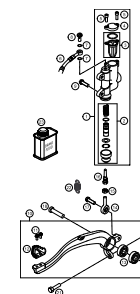
17

HAND BRAKE CYLINDER



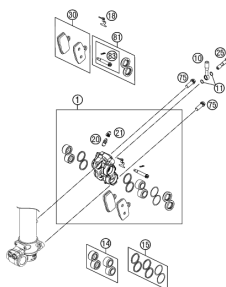
18

REAR BRAKE CONTROL



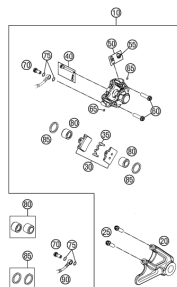
19

BRAKE CALIPER FRONT



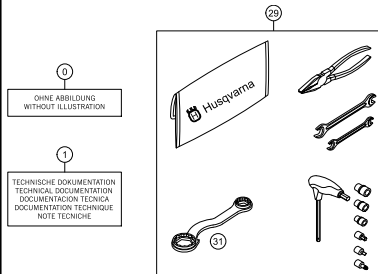
20

BRAKE CALIPER REAR



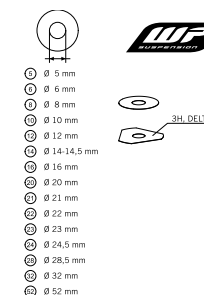
21

ACCESSORIES KIT



22

WP SHIMS FOR SETTING

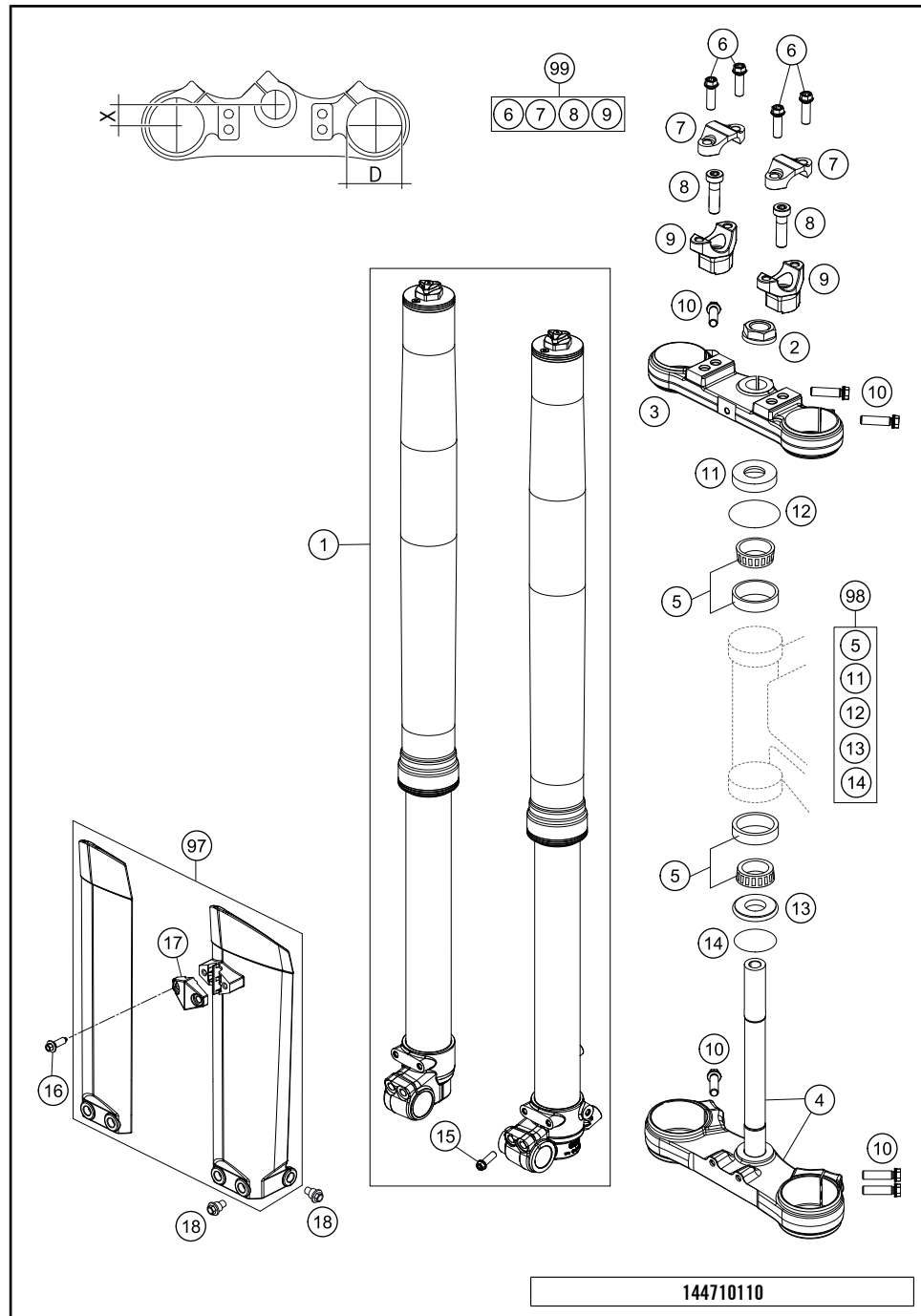


23



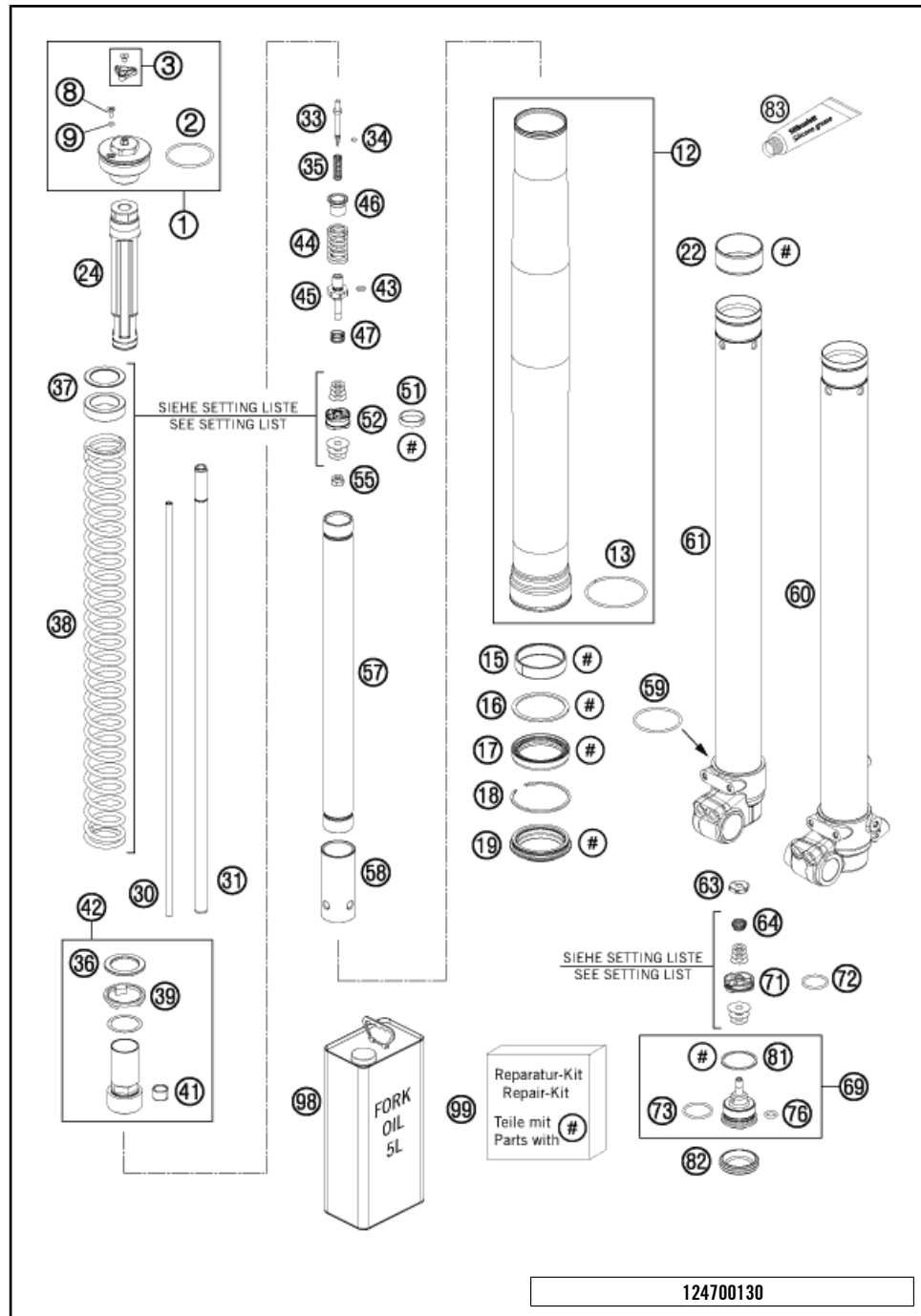
All information contained is without obligation. HUSQVARNA MOTORCYCLES GmbH particularly reserves the right to modify any equipment, technical specifications, prices, colors, shapes, materials, services, service work, constructions, equipment and the like so as to adapt them to local conditions or to cancel any of the above items, all without previous announcement and without giving reasons. KTM may stop manufacturing certain models without previous notice. HUSQVARNA MOTORCYCLES shall not be held liable for any deviations of availability and/or ability to deliver, illustrations, descriptions, printing and/or other errors. The illustrated models partly contain extra equipment, which is not applied to standard models.

© by HUSQVARNA MOTORCYCLES GmbH, Mattighofen AUSTRIA; All rights reserved; Reprint, also in extracts, with written allowance of HUSQVARNA MOTORCYCLES GmbH, Mattighofen only.



POS	PARTNUMBER	PARTNAME	PIECE
1	05187M0501	FORK WP 85SX 2013	1
2	59030029000	HH NUT M20X1,5 WS=27 RIGHT	1
3	47101034114	TOP TRIPLE CLAMP	1
4	47101032114	BOTTOM TRIPLE CLAMP CPL.	1
5	49001081000	TAPERED ROLLER BEARING 32004X	2
6	0025080256	HH COLLAR SCREW M8X25 TX40	4
7	77201038000	HANDLEBAR CLAMP 28MM	2
8	0032100356S	AH-COLLAR SCREW M10X35 ISA45	2
9	59401039037	HANDLEB.SUPP. D=28MM H=37MM 05	2
10	0025080306	HH COLLAR SCREW M8X30 TX40	6
11	49001086000	COVERING CAP	1
12	0770021300	O-RING 40,94X2,62 NBR70	1
13	46001086000	PROTECTION RING 20,1X39X5	1
15	0025060206	HH COLLAR SCREW M6X20 TX30	4
16	0017060206	SCREW F. PLASTIC K60X20AL SW6	2
17	47101085000DA	CLAMP FOR BRAKE HOSE YELLOW	1
18	59001092050	SPECIAL SCREW M6X12,5 WS=8	6
97	47101094000DA	FORK PROTECTOR SET 85TC YELLOW	1
98	00050000931	STEERING HEAD REP. KIT MINI	x
99	00050000921	HANDLEBAR SUPPORT KIT D28/H37	x

* NEW PART X ON DEMAND

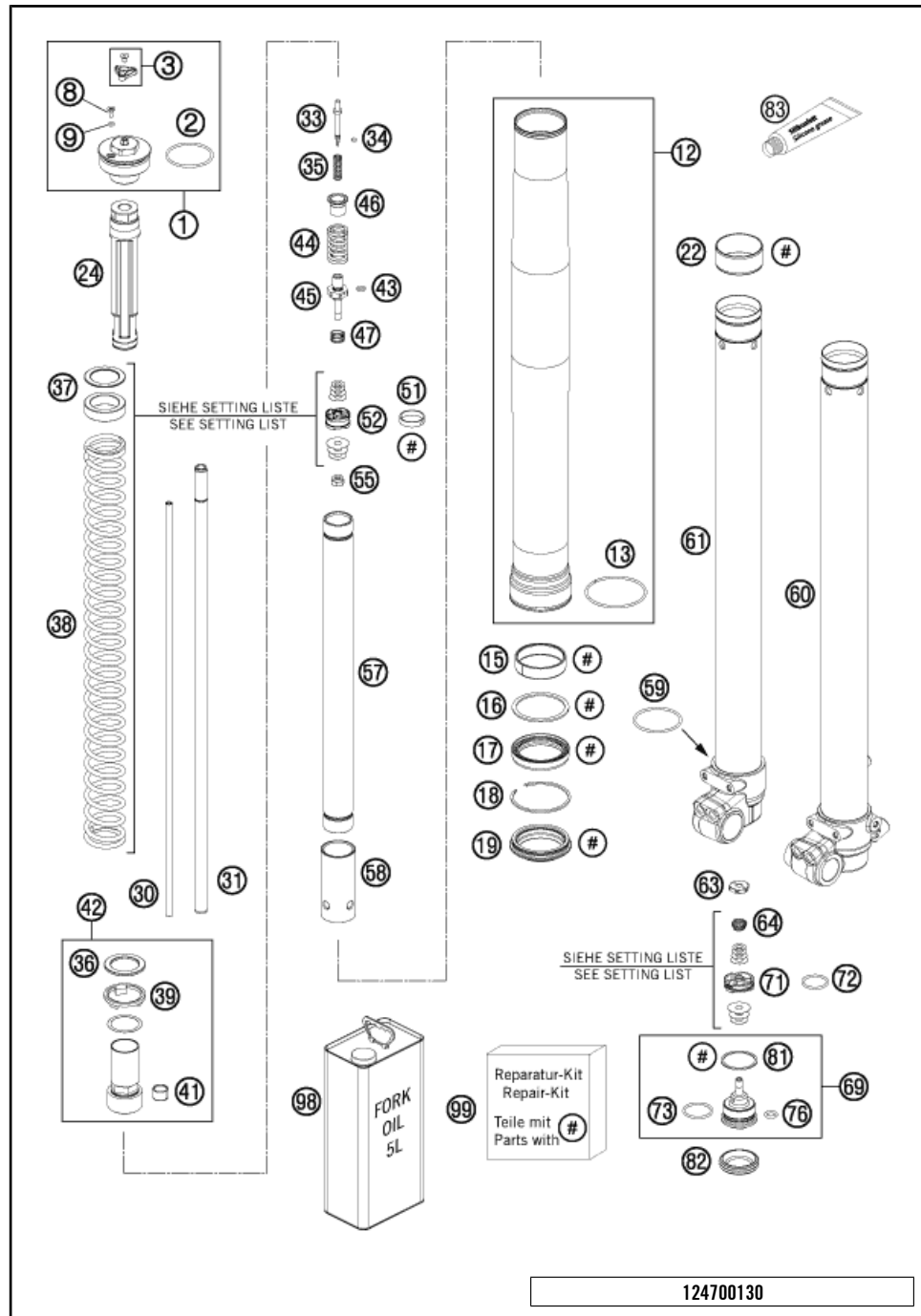


POS	PARTNUMBER	PARTNAME	PIECE
1	43570395S1	SCREW CAP M4X1,5 CPL.	2
2	46811042	O-RING 40,00X2,00 WP	2
3	48600812S	ADJUSTING KNOB + SCREW	2
8	48600481	VENT SCREW M4X8	2
9	48600046	O-RING NBR 3X1,5	2
12	43570614E	OUTER TUBE L510 D49/53	2
13	43570099	GUIDING RING D=53MM	2
15	43570618	GUIDE BUSHING 43X47X12	2
16	43570092	SUPPORT RING 45 X 52,5 X 1,5	2
17	43570201	OIL SEAL RING 43 X 52,9 X 9,5	2
18	43570008	LOCK WASHER SB53	2
19	43570202	DUST STRIPPER 43 X 53,4 X 11,8	2
22	43570617	GUIDE BUSHING 42X44X20 R11	2
24	43570396S	STOP L135MM D28,6MM D12MM CPL.	2
30	48600695	ADJUSTMENT TUBE L=442 MM	2
31	48600694	PISTON ROD D=12MM L=476MM	2
33	48600277	ADJUSTER NEEDLE 07	2
34	48600298	O-RING 2X1,5 NBR	2
35	48600444	REBOUND SPRING C=4N/MM	2
36	43570133	SPACER 26X38X2,5	2
37	43570133	SPACER 26X38X2,5	2
37	43570134	SPACER 26X38X5	2
37	43570135	SPACER 26X38X10	2
37	43570136	SPACER 26X38X1,5	2
38	95010032S	SPRING 3,4 N/MM SET D=4,4MM	x
38	95010033S	SPRING 3,6 N/MM SET	x
38	95010031S	SPRING 3,2 N/MM SET D=4,2MM	x
39	43570131	INTERM. RING 26,2X38,5X3	2
41	48600430	DU BUSH FOR PISTON ROD	2
42	48600830S2	SCREW SLEEVE M27X0,8 CPL.	2
43	48600299	O-RING 6X1,2 NBR	2
44	48600511	REBOUND SPRING L=32 C=17	2
45	48600513	TAP REBOUND 07	2
46	48600525	GUIDING BUSH REBOUND SPRING	2
47	48600382	SHUTTLE VALVE SPRING C=0,4	2
51	48600455	PISTON RING 5X1X68	2
52	48600575	PISTON REBOUND SX 2007	2
55	40540486	NUT M6X0,5 REBOUND	2

124700130

C144710130

* NEW PART X ON DEMAND

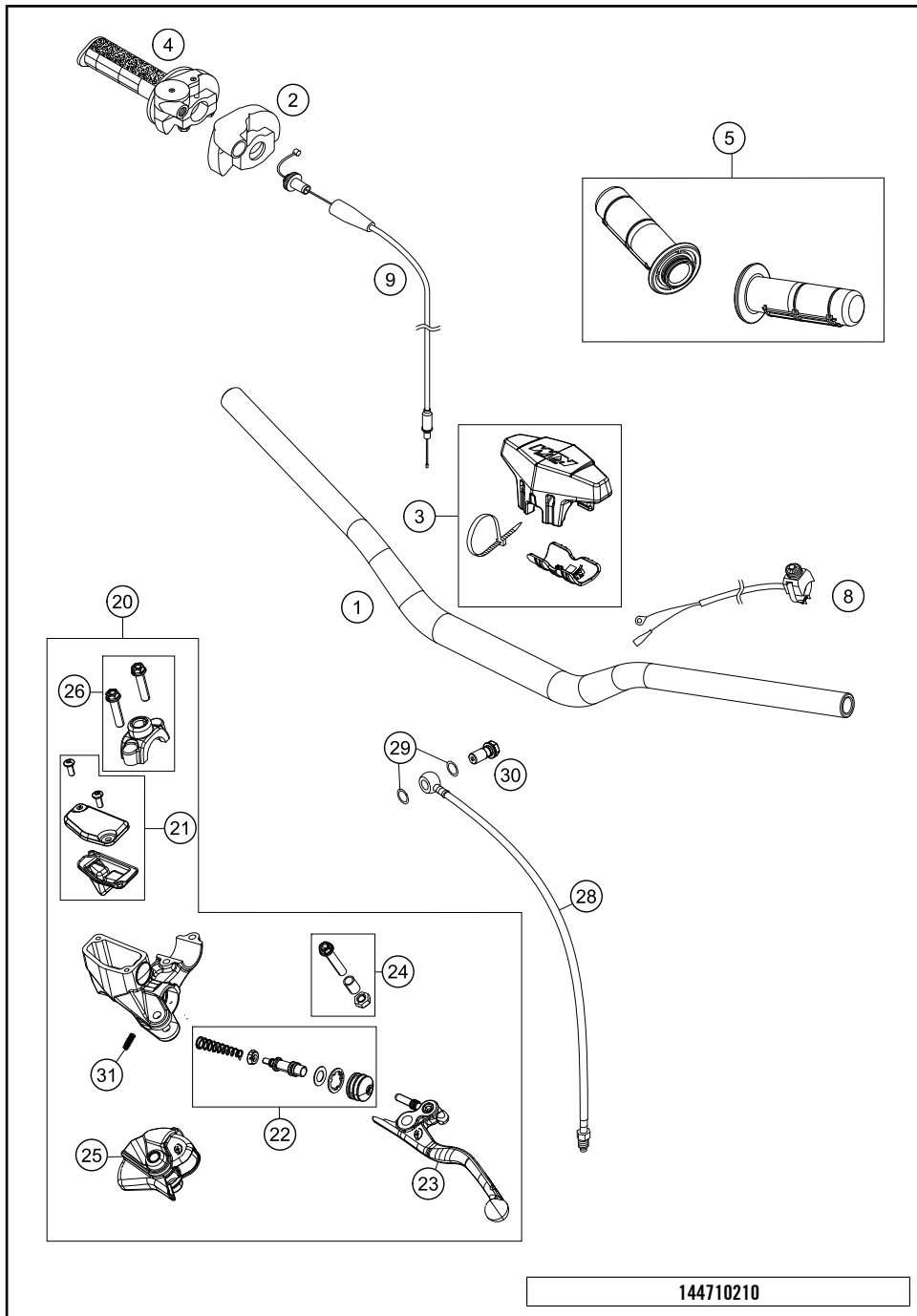


POS	PARTNUMBER	PARTNAME	PIECE
57	48600870	TUBE 23 L=330	2
58	48600764	ADAPTER SLEEVE D23/D28	2
59	43570023	O-RING NBR 41X2	2
60	43570559S1	AXLE CLAMP L/S + TUBE CPL.	1
61	43570558S1	AXLE CLAMP R/S + TUBE CPL.	1
63	48600885	NUT VALVE M6X0,5 LH=1,2	2
64	48600202	SPRING CHECK VALVE D=0,7	2
69	48600586S	TAP COMPRESSION CPL. 07	2
71	48600047	PISTON COMPRESSION D=27,9	2
72	46811499	O-RING NBR 21X2	2
73	35480320	O-RING NBR 24X2	2
76	48600049	O-RING NBR 8X2	2
81	48600004	COPPER WASHER 29,5X33,5X1	2
82	48600141	RUBBER CAP D=35MM	2
83	T511	SILICONE GREASE F. DUST STRI	1
98	48601166S1	FORK OIL SAE4 5L	1
99	R511	REPAIR-KIT	1

124700130

C144710130

* NEW PART X ON DEMAND



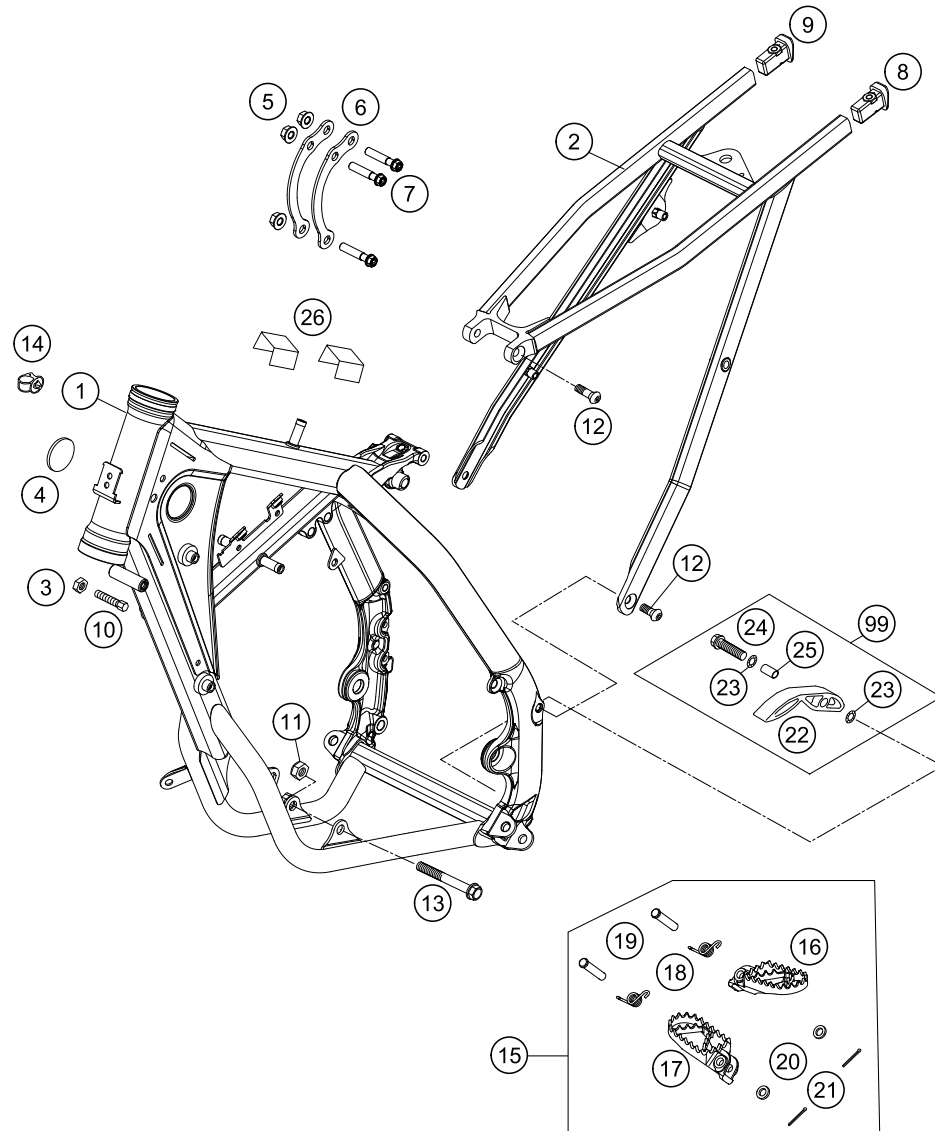
POS	PARTNUMBER	PARTNAME	PIECE
1	47102001000	HANDLEBAR 85SX 2013	1
2	50302020000	PROTECTION COVER '97	1
3	80302602044	BAR PAD CPL.	1
4	51502010200	THROTTLE GRIP CPL. 2ST. 13	1
5	80302021000	GRIP SET BLACK/WHITE	1
8	50311089200	SHORT CIRCUIT BUTTON 02	1
9	51502091100	THROTTLE CABLE 2T.DOM/KEIH. 13	1
20	72002030100	MASTER CYLINDER CPL. 10MM	1
21	72002003000	COVER F. MASTER CYLINDER CPL.	1
22	72002032000	REP. KIT PISTON 10MM	1
23	72013002000	LEVER CPL.	1
24	70002038000	LEVER SCREW CPL.	1
25	72002037000	MUDCOVER CLUTCH LEVER	1
26	72013005000	CLAMP	1
28	47132063000	CLUTCH PIPE	1
29	0770080019	O-RING 8,00X1,00 FORMULA	2
30	47013025000	HOLLOW SCREW BRAKE CYLINDER 03	1
31	72002035000	SPRING FOR CLUTCH LEVER	1

144710210

C144710211

* NEW PART

X ON DEMAND



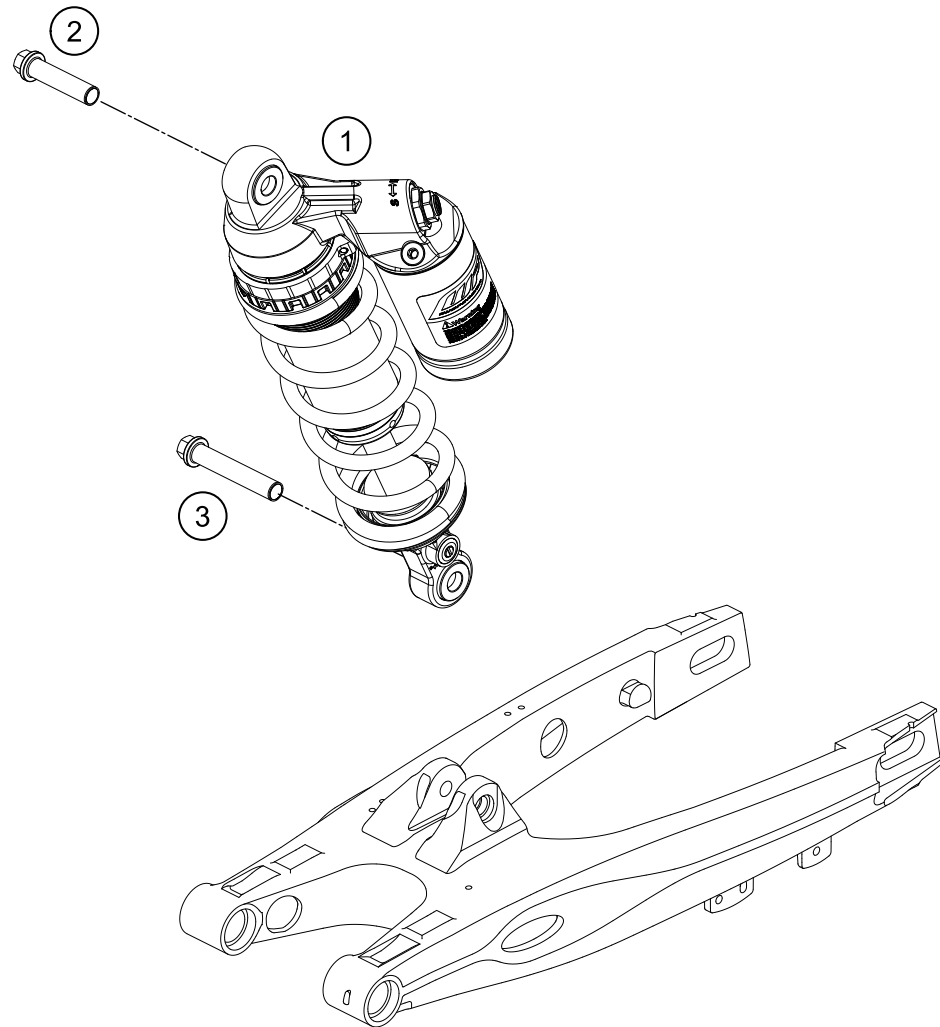
144710310

POS	PARTNUMBER	PARTNAME	PIECE
1	4710300100028	FRAME "471M3" 85 TC 2014	1
2	47103002000	SUB FRAME	1
3	0934080003	HEXAGON NUT DIN0934-M 8	2
4	54606004000	PLUG 37MM	2
5	54310086200	SELF LOCKING NUT M8 10.9	3
6	47103013100	REINFORCING	2
7	0025080356	HH COLLAR SCREW M8X35 TX40	3
8	78103002010	SUB FRAME APPLICATION LEFT	1
9	78103002020	SUB FRAME APPLICATION RIGHT	1
10	59001037000	SPECIAL SCREW M8X26 WS=10	1
11	54310086100	SELF LOCKING NUT M10 CU WS=14	2
12	0019080206S	FLAT HEAD SCREW M. ISA45 M8X20	4
13	47003013000	ENGINE BRACKET SCREW 85 SX	2
14	58111076000	CABLE SUPPORT KHS NR.150-47610	2
15	47103040033	FOOTREST CPL. 14	1
16	47103040000	FOOTREST L/S	1
17	47103041000	FOOTREST R/S	1
18	54603041000	FOOTREST SPRING L/S & R/S	2
19	54803044000	BOLT FOR FOOT PED 03	2
20	0125100003	WASHER DIN0125-A10,5	2
21	0094032253	PIN DIN0094-3,2X25 STEEL	2
22	51103053000	CHAIN SLIDING PIECE BELOW '97	1
23	36003014000	LOCK WASHER 8MM	2
24	0025080306	HH COLLAR SCREW M8X30 TX40	1
25	51103053051	BUSHING 8,2X10X20	1
26	50307012000	ADH. FOIL TRANSP. 80X80 MM 04	2
99	51103053110	CHAIN SLIDING KIT BELOW MINI	1

C144710311

* NEW PART

X ON DEMAND



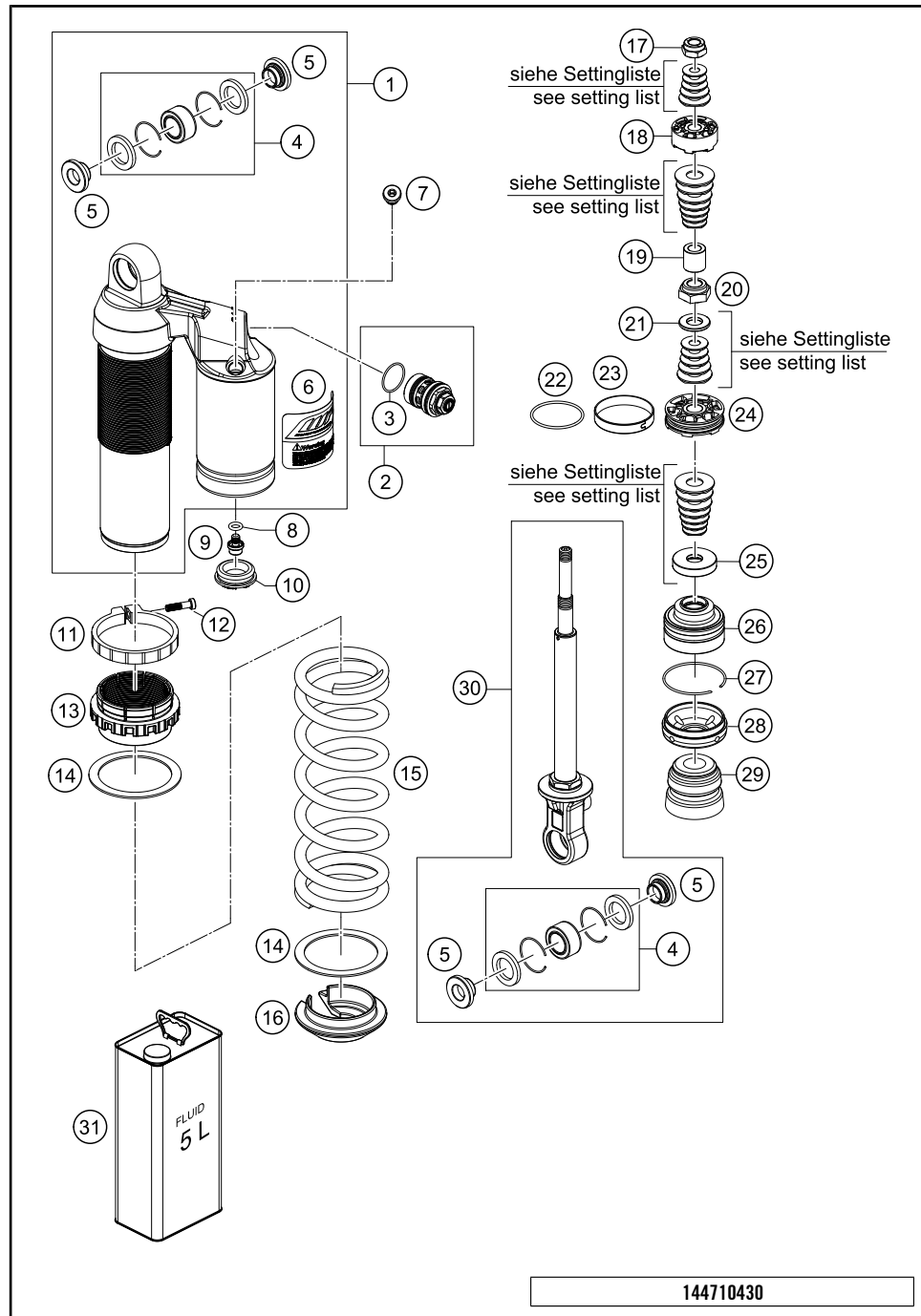
POS	PARTNUMBER	PARTNAME	PIECE
1	15157N0201	MONOSHOCK 85TC 2014	1
2	0025120506S	HH COLLAR SCREW M12X50 TX45	1
3	0015120556S	HH COLLAR M12X55 WS=13 06	1

144710410

C144710411

* NEW PART

X ON DEMAND

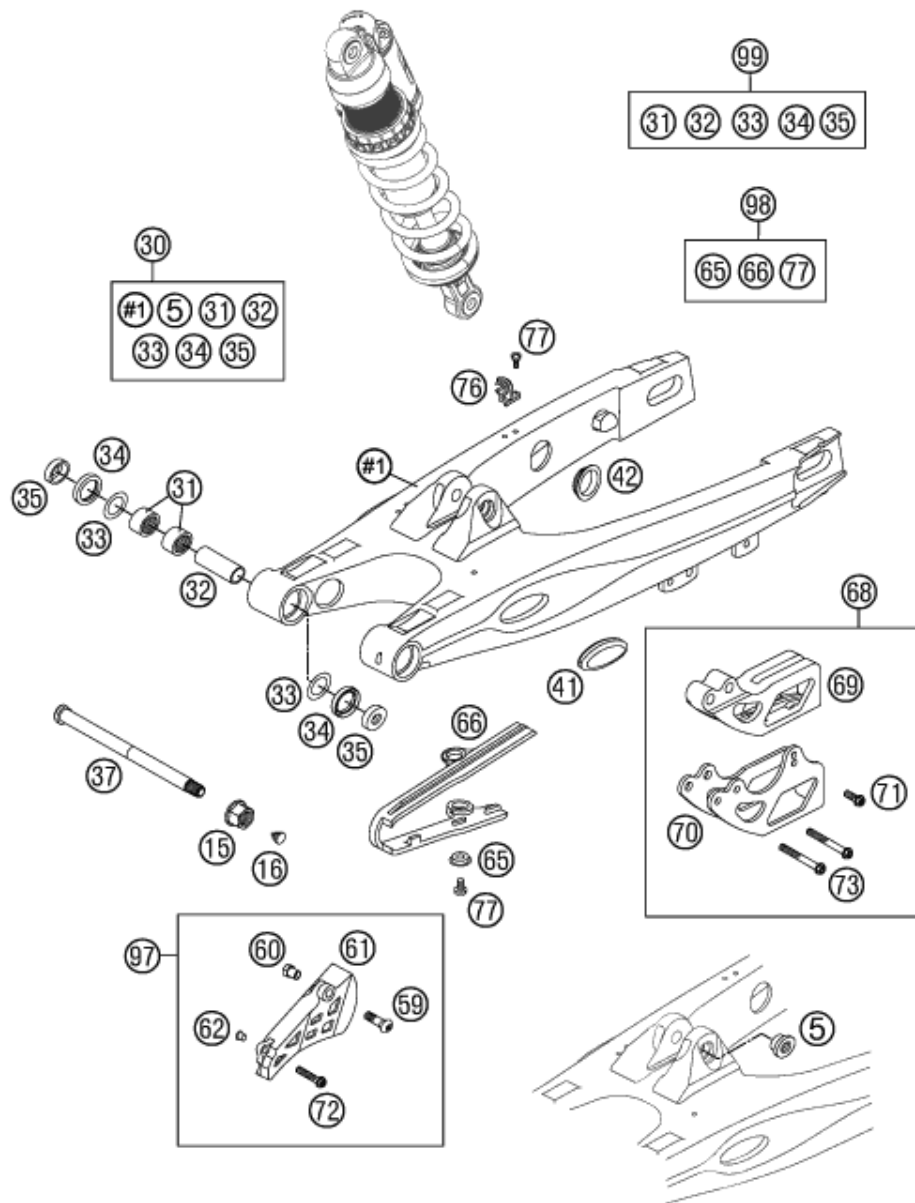


POS	PARTNUMBER	PARTNAME	PIECE
1	46181019S1	MONOSHOCK CASE CPL.	1
2	50180213S12	DCC-COMPR.DAMP.CONTROL CPL. 09	1
3	50180218	O-RING 25X1,5 VITON	1
4	R12012	REP. KIT BEAR./SEAL UP. 07	2
5	46180007	ADAPTOR BUSH KGW 12X24	4
6	52000087	STICKER WP MONOSHOCK	1
7	50180095	BLEED PLUG R 1/8	1
8	46810893	O-RING NBR 5,28X1,78	1
9	36120151	SCREW PLUG M5X6	1
10	46811208	RUBBER CAP "DO NOT OPEN"	1
11	46181014	TENSIONING RING D64 H10	1
12	14460042	%ALLENHEAD SCREW M5 L=20 STAIN	1
13	46181013	ADJUSTING NUT D46 PLASTIC	1
14	50180410	INTERM.RING D=58	2
15	91010271S	SPRING (59) 215 30 N/MM	x
15	91010240S	SPRING (59) 215 35 N/MM D=9,25	1
15	91010161S	SPRING (59) 215 40 N/MM D=9,5	x
16	46180349	SPRING WASHER H=15 D=28	1
17	46180356	PISTON ROD NUT M10X1	1
18	46180744	PISTON D35,4 PDS 2	1
19	46181025	SANDWICH BUSH 10X17X17	1
20	46810474	PISTON ROD NUT	1
21	46811258	RING 12X24X2,5	1
22	46810035	O-RING VITON 37,82X1,78	1
23	46811206	PISTON RING 8X46	1
24	46810560	PISTON 6+6D7	1
25	46180337	REBOUND DISC H=4	1
26	46180669S	ADAPTOR CPL. D=46 H=28 07	1
27	46810010	CIRCLIP 49X1,5	1
28	46180338	CAP D=46 H=9,5	1
29	50180276	BUMP RUBBER WP60 D=18-26	1
30	46180520S5	MONOSHOCK LOWER PART	1
31	50180751S1	SHOCK ABSORBER FLUID 5 LT	1

C144710430

C144710431

* NEW PART X ON DEMAND



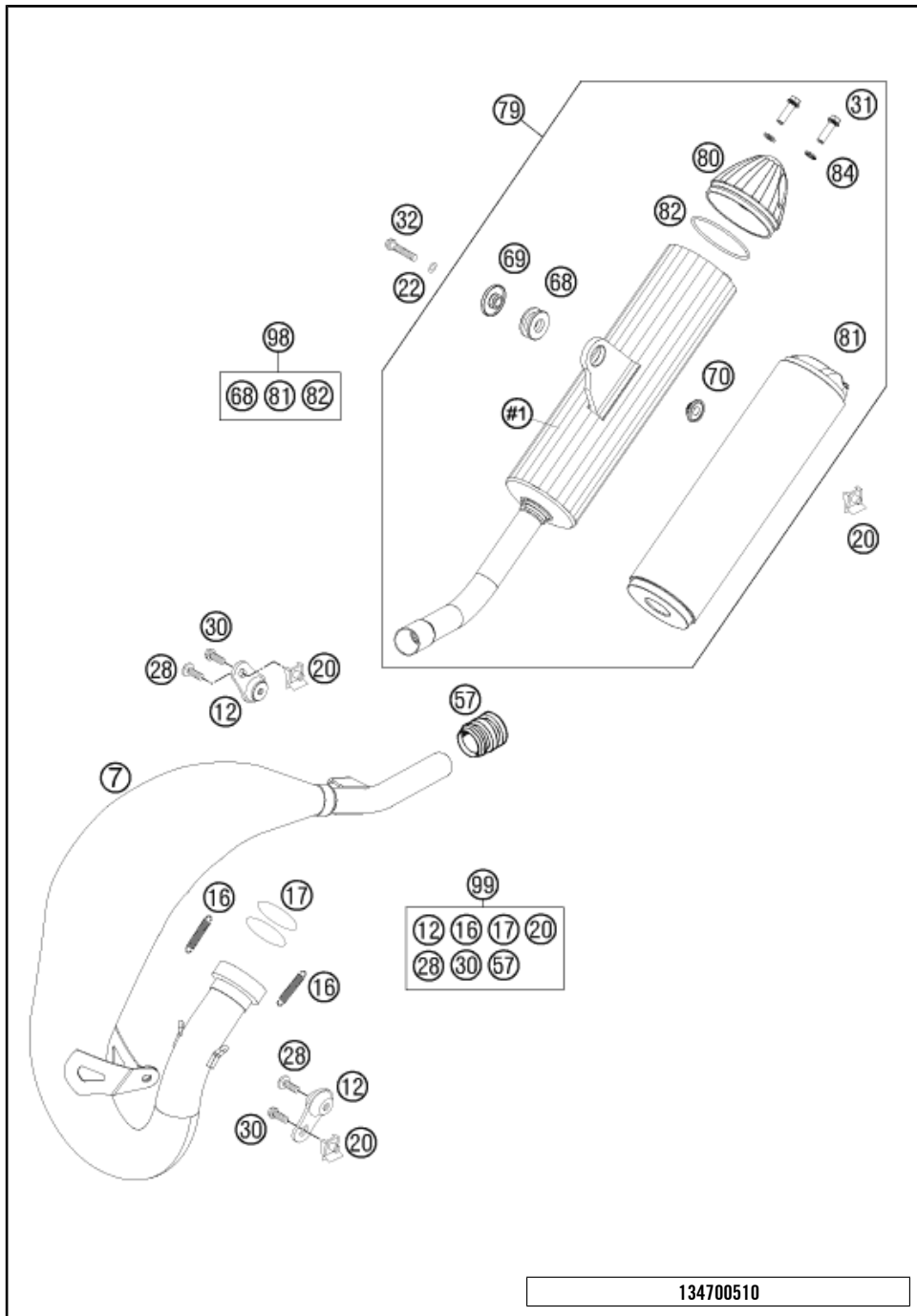
POS	PARTNUMBER	PARTNAME	PIECE
5	50180105	THREADED BUSH M12 PDS	1
15	77204087000	HEX NUT M14X1.5 SW17	1
16	54403135000	PLASTIC CAP SFL10	1
30	47004030144	SWINGARM 85SX CPL. 2004	1
31	59004031000	NEEDLE BUSH HK2012V	4
32	50203081700	BUSHING SLEEVE 15X20X38,75	2
33	59033080000	SHIM 20X32X1	4
34	0760253270	SHAFT SEAL RING 25X32X7	4
35	54603090000	BUCKET F.SHAFTSEALRING 15X25X9	4
37	47104037000	SWING ARM BOLT 85 SX	1
41	58404041000	CLOSING COVER SWINGARM SM 03	2
42	58404041100	CLOSING COVER ROUND 03	4
59	0019080206	COUNTER-SUNK SCREW ISA45 M8X20	1
60	47030060051	THREADED BUSH FOR CHAIN GUARD	1
61	47007061000	CHAIN GUARD 85 SX 2003	1
62	58314060050	SPACER BUSH. F. SPEEDOMET.BRA.	1
65	72210079000	BUCKET	2
66	58404066000	CHAIN SLIDING GUARD SM 03	1
68	54607069000	CHAIN GUIDE KIT REAR CPL.	x
69	54607066100	CHAIN GUIDE REAR '94	1
70	54607070144	RETAINING PLATE CPL.	1
71	0025060166	HH COLLAR SCREW M6X16 TX30	1
72	0025060306	HH COLLAR SCREW M6X30 TX30	1
73	0025060506	HH COLLAR SCREW M6X50 TX30	2
76	54611076100	RETAIN.CLAMP FOR BRAKE HOSE'96	2
77	0009050106	EJOT SPIRAL SCREW SF M5X10-K	4
97	47007061010	SPROCKET COVER KIT	x
98	58404066010	CHAIN GUARD KIT 105/85 SX	1
99	47004230010	SWINGARM REP. KIT 105/85 SX	1

134700490

C144710490

* NEW PART

X ON DEMAND

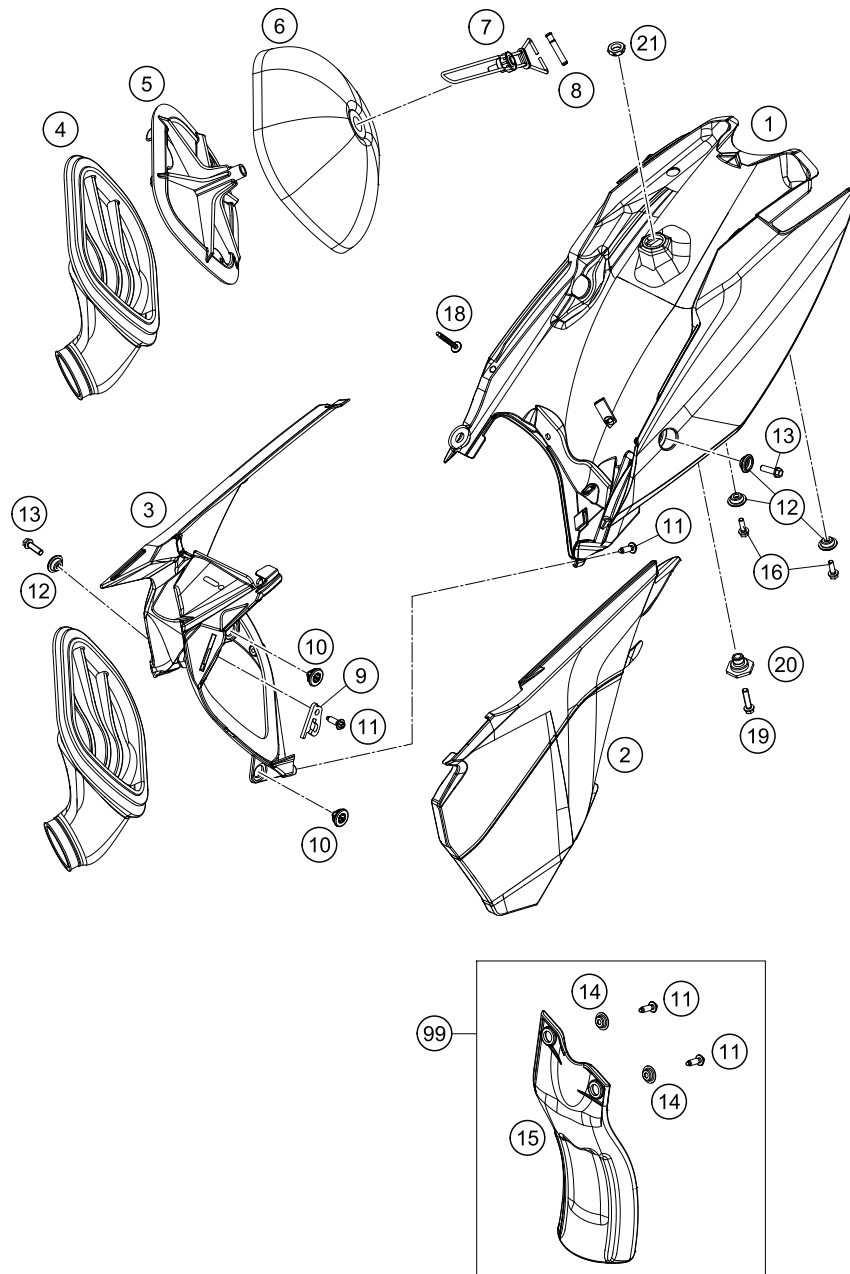


POS	PARTNUMBER	PARTNAME	PIECE
7	47005007100	EXHAUST PIPE 85 SX 07	1
12	50305012000	SWINGELEMENT FOR EXHAUST PIPE	2
16	50305016000	TEN.SPRING L=62MM EY.MOVEABLE	2
17	0770380030	O-RING 38,00X3,00 VITON	2
20	54603048100	RANGE CHANGE METAL NUT M6	3
22	0137060003	SPRING WASHER DIN0137-B 6	1
28	0024060106	HH COLLAR SCREW M6X10 TX30	2
30	0025060166	HH COLLAR SCREW M6X16 TX30	2
31	0025060206	HH COLLAR SCREW M6X20 TX30	2
32	0025060306	HH COLLAR SCREW M6X30 TX30	1
57	54605057000	RUBBER SLEEVE D=21MM/23MM '93	1
68	77205068000	DAMP. COMPON. BLACK	1
69	46205169000	BUSHING 7.5X12X28X7.6	1
70	77205069000	BUSHING 7.5x12x20x8.2 11	1
79	47005079100	SILENCER 85 SX 06	1
80	50305079169	SILENCER ENDCAP SX REAR	1
81	50305079160	STUFFING YARN 160 GRAM	1
82	0770055020	O-RING 55,00X2,00 NBR70	2
84	50233041000	PAIR OF WASHERS M 6 NORDLOCK	2
98	00050000804	SILENCER REP. KIT 160 GRAM	1
99	00050000812	EXHAUST HARDWARE KIT MINI	1

134700510

C144710510

* NEW PART X ON DEMAND



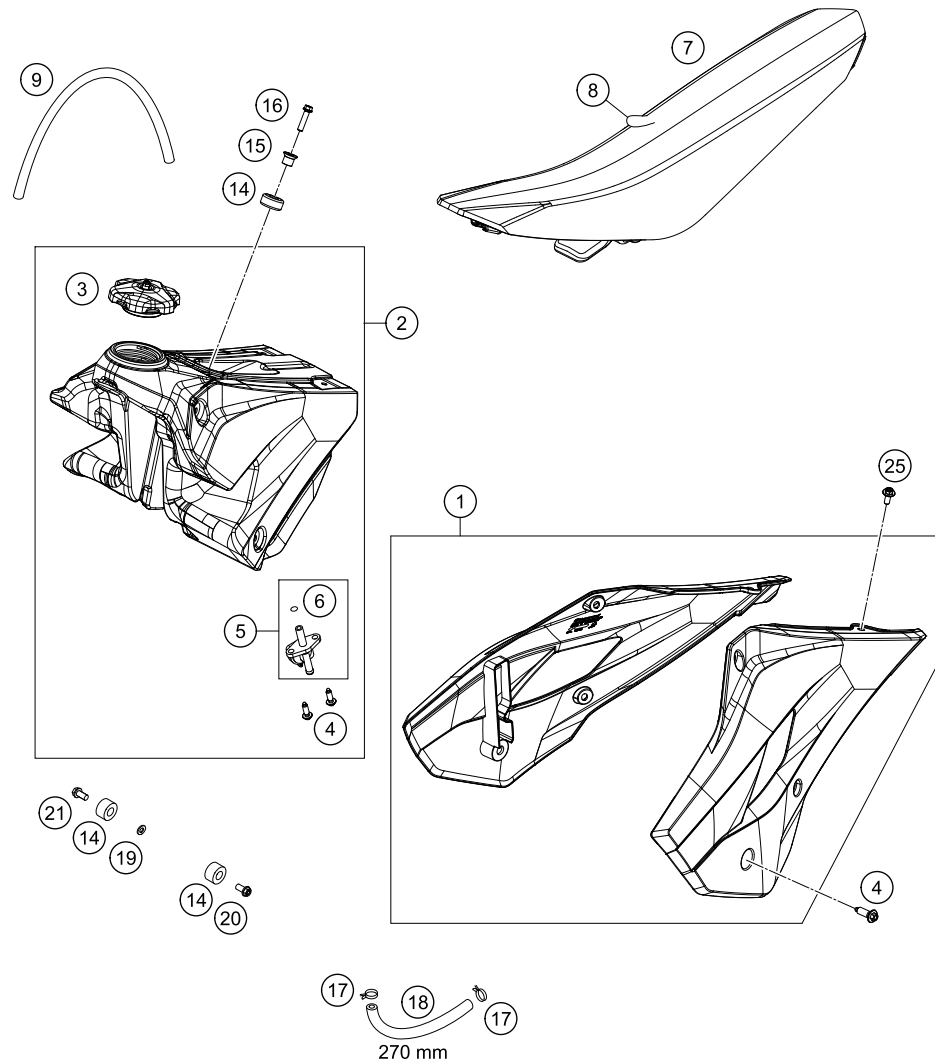
POS	PARTNUMBER	PARTNAME	PIECE
1	4710600105228	FILTER BOX PART REAR WHITE	1
2	4710600300028A	FILTER COVER WHITE 14	1
3	4710600101028	AIR BOX PART WHITE	1
4	47106026000	CARBURETOR CONNECTING	1
5	54806516000	FILTER CARRIER	1
6	77206015000	AIR FILTER	1
7	47106017000	AIR FILTER SUPPORT BRACKET CPL	1
8	77306018000	FILTER SUPPORT BUSH 07	1
9	47106019000	FASTEN. DEVICE FILTER SUPPORT	1
10	47106003160	QUICK CONNECTOR CLUTCH	2
11	0017060205	SCREW FOR PLASTIC K60X20 SW6	4
12	77308013010	COLLAR BUSH. F.REAR FENDER 07	4
13	0025060206	HH COLLAR SCREW M6X20 TX30	2
14	46104066050	BUSH FOR CHAINSLIDER GUARD 02	2
15	47106010000	SPLASH PROTECTION	1
16	0025050166	HH COLLAR SCREW M5X16 TX30	2
18	0017060405	SPECIAL SCREW T60 6X40 WS=6	1
19	0025060256	HH COLLAR SCREW M6X25 TX30	1
20	54807048000	BUSHING FOR SEAT FASTENING 03	1
21	50314057050	COLLAR NUT M12X1/WS17 H=5MM	1
99	47106010010	SPLASH PROTECTOR KIT 85 SX	x

144710611

C144710611

* NEW PART

X ON DEMAND



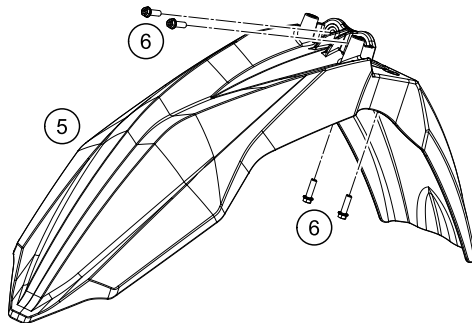
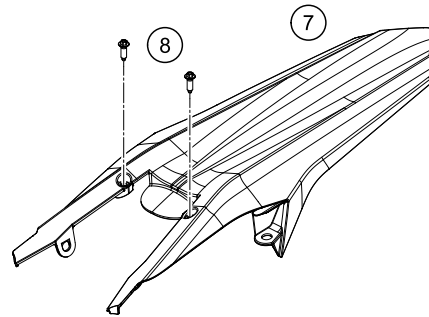
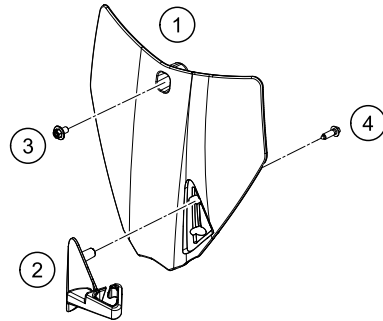
POS	PARTNUMBER	PARTNAME	PIECE
1	2350805400028A	SPOILER SET WHITE 2014	1
2	2350701304430	FUEL TANK CPL.	1
3	7770700814455	TANK PLUG CPL. 2014	1
4	0017060206	SCREW F. PLASTIC K60X20AL SW6	8
5	50307005000	GAS COCK MIKUNI ON/OFF 2001	1
6	0770130023	O-RING 13,00X2,30	1
7	23507040000	SEAT BLUE/BLACK 2014	1
8	23507040050	SEAT COVER BLUE/BLACK	1
9	78007000270	PVC-HOSE 5,6X10X270MM	1
14	50307014000	TANK ROLLER 12X26X12 '98	3
15	77307026000	TANK BUSHING 07	1
16	0024060273	COLLAR SCREW M6X27 TX	1
17	45031005000	YDNAC-CLAMP FUEL HOSE (8MM)	2
18	58307016001	FUEL HOSE VITON 6X1,5 PER/M	x
19	12011016000	WASHER 6 X 12 X 3	1
20	0026060136	COLLAR SCREW M6X13 ISA30	1
21	0025060166	HH COLLAR SCREW M6X16 TX30	1
25	0024060106	HH COLLAR SCREW M6X10 TX30	2

144710710

C144710711

* NEW PART

X ON DEMAND



POS	PARTNUMBER	PARTNAME	PIECE
1*	2350800710028		1
2*	2350802210030		1
3	0024060106	HH COLLAR SCREW M6X10 TX30	1
4	0017060206	SCREW F. PLASTIC K60X20AL SW6	1
5	2350801000028	FRONT FENDER WHITE	1
6	0025060166	HH COLLAR SCREW M6X16 TX30	4
7	4710801300028A	REAR PART WHITE 85TC 2014	1
8	0017060205	SCREW FOR PLASTIC K60X20 SW6	2

144710810

C144710811

* NEW PART

X ON DEMAND

POS	PARTNUMBER	PARTNAME	PIECE
1	23508099000	DECAL KIT 85 TC 2014	1

1

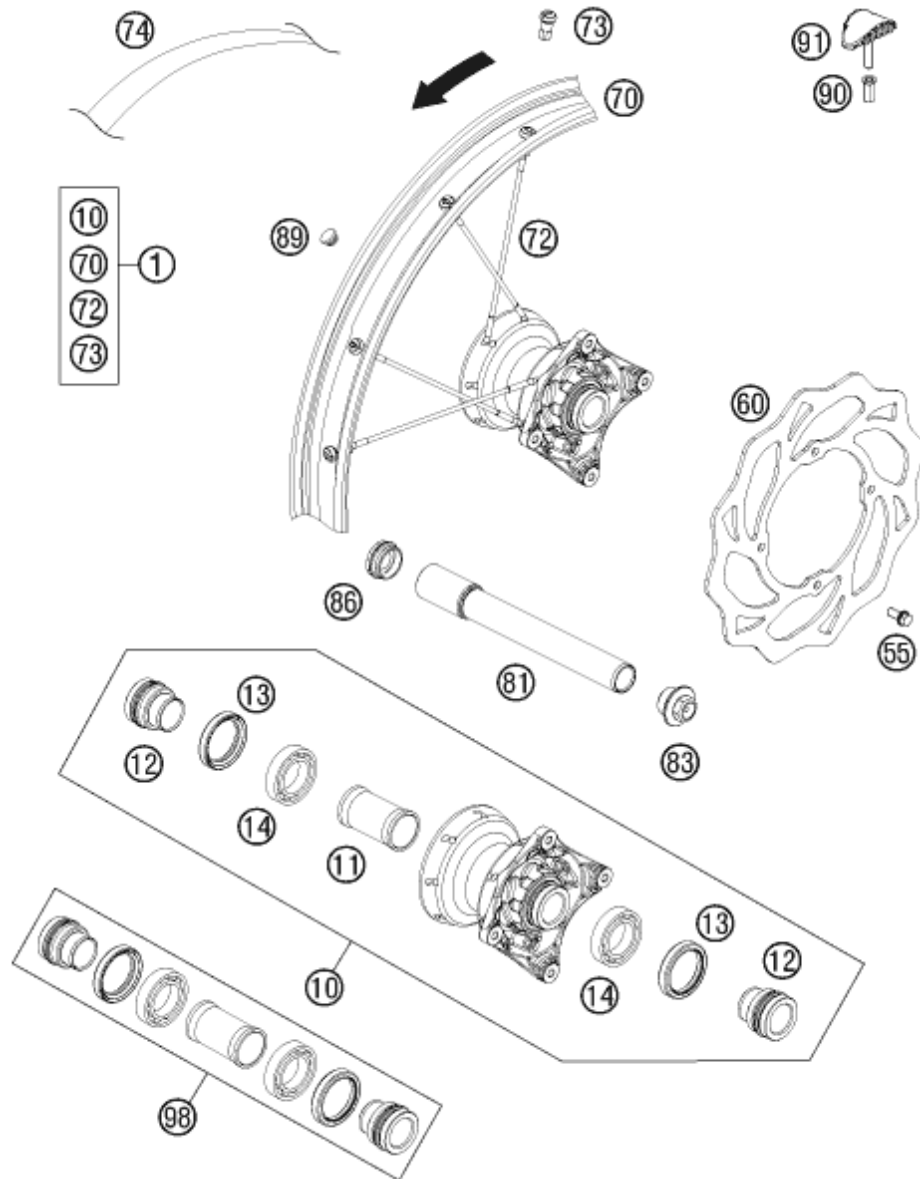


144710830

C144710830

* NEW PART

X ON DEMAND



POS	PARTNUMBER	PARTNAME	PIECE
1	2350900104430	FRONT WHEEL CPL. 2014	1
10	70009010044	FRONT WHEEL HUB CPL. 12	1
11	70009011000	BEAR.SPACER TUBE FRONT D22MM	1
12	70009012000	SPACER BUSHING D=22MM	2
13	0760324271	SHAFT SEAL RING 32X42X7 BSL	2
14	0625069050	BALL BEARING 6905 J1LLUC3	2
55	59009062013	SPECIAL SCREW M6X13 WS=8 10.9	4
60	47009060300	BRAKE DISC FRONT D=219MM 09	1
70	2350907000030	RIM FRONT AL4 17X1,40-32	1
72	47109071183	SPOKE M4,5X183-17"	32
73	77109072000	SPOKE NIPPLE M4,5 AL 11	32
74	47009073000	RIM BAND 85 SX 17" 2003	1
81	70009081000	AXLE FRONT D=22 '12	1
83	70009082000	AXLESCREW M20X1.5; SW17	1
86	70009081050	PLUG BUSHING SW17 '12	1
89	55003135000	PLUG FOR RIM	x
90	77110090050	NUT FOR WHEEL HOLDER	1
91	45110090000	RIM LOCK CPL. 2004	1
98	70009015000	FRONT WHEEL REP. KIT	x

134700910

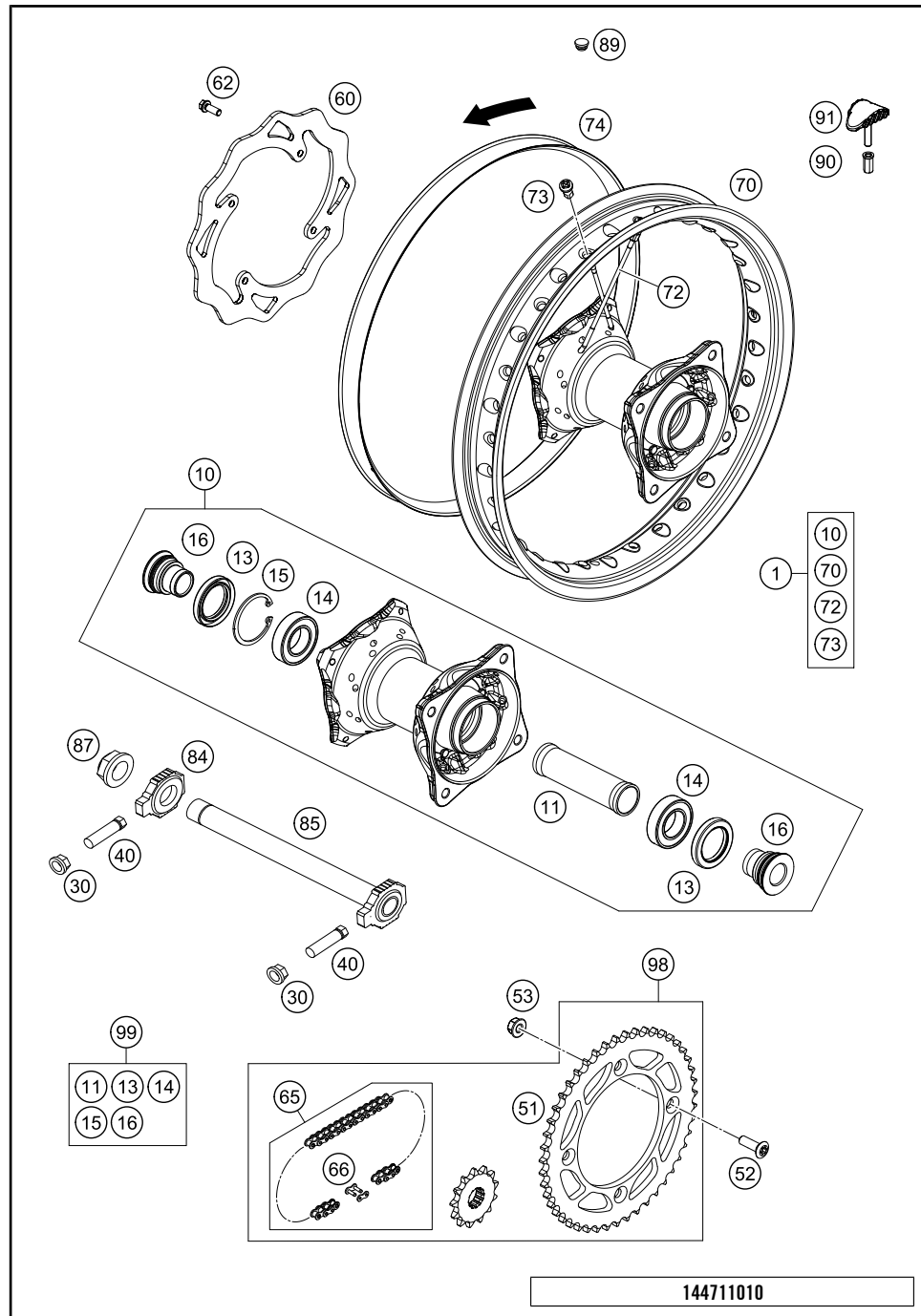
C144710912

* NEW PART

X ON DEMAND

REAR WHEEL

TC 85 17/14 2014

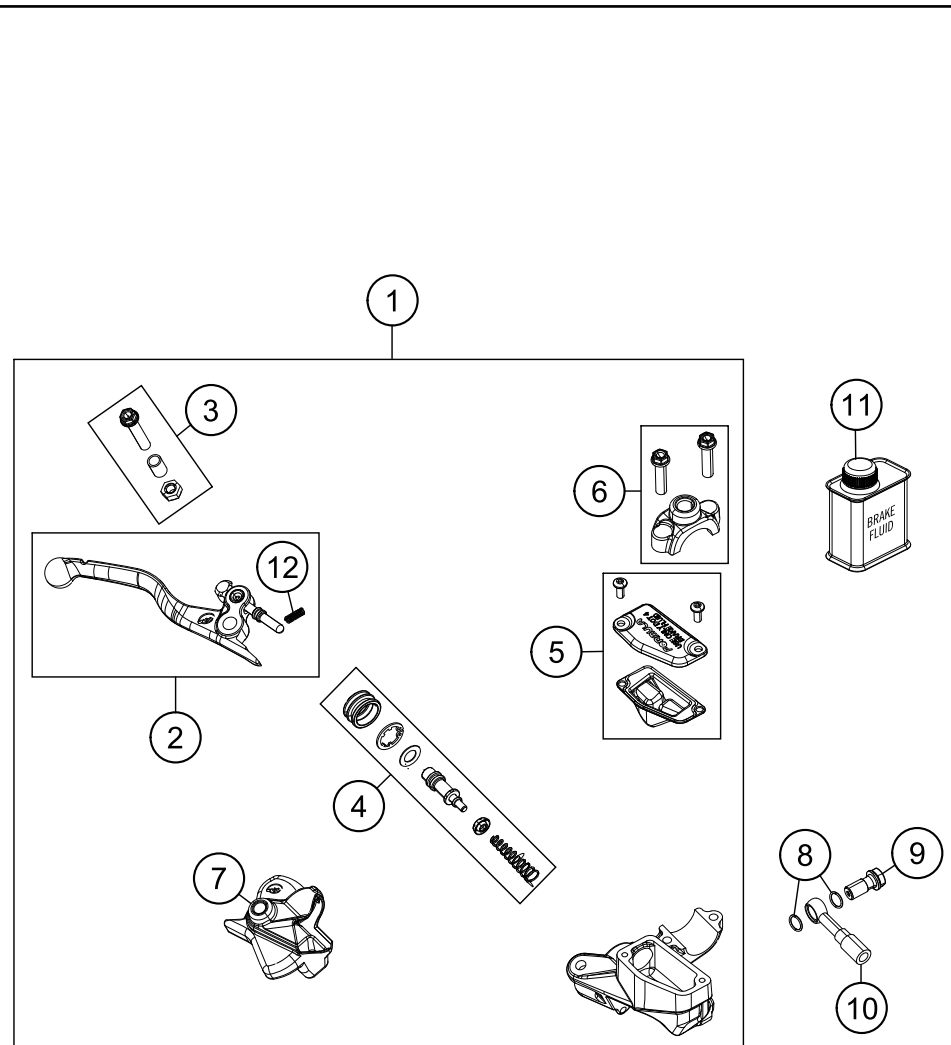


POS	PARTNUMBER	PARTNAME	PIECE
1	2351000104430	REAR WHEEL CPL. 14	1
10	70010010044	REAR WHEEL HUB CPL. 12	1
11	70010011000	BEAR.SPACER TUBE '12	1
13	0760324771	SHAFT SEAL RING 32X47X7 BSL	2
14	0625060058	GR.BALL BEAR.6005 DDU2CG23S6NM	2
15	0472047175	CIRCLIP DIN0472-47X1,75	1
16	78010016000	BUSHING FOR HUB 08	2
30	58414030000	HH COLLAR NUT M10X1,25 WS=13	2
40	50304040100	SCREW M10X1,25X50 WS=10	2
51	47010051044	REAR SPROCKET 44-T 85 SX 03	x
51	47010051045	REAR SPROCKET 45-T 85 SX 03	x
51	47010051046	REAR SPROCKET 46-T 85 SX 03	1
51	47010051047	REAR SPROCKET 47-T 85 SX 03	x
51	47010051048	REAR SPROCKET 48-T 85 SX 03	x
51	47010051049	REAR SPROCKET 49-T 85 SX 03	x
51	47010051050	REAR SPROCKET 50-T 85 SX 03	x
51	47010051051	REAR SPROCKET 51-T 85 SX 06	x
52	0019080266S	COUNTER-SUNK SCREW ISA45 M8X26	4
53	06923080003	HEXAGON NUT DIN EN1661 M8 SW13	4
60	47010060500	REAR BRAKE DISC	1
62	59009062016	SPECIAL SCREW M6X16 WS=8 10.9	4
65	47010165124	CHAIN 124 ROLLS 85 SX	1
66	47010166000	CONNECTING LINK 85 SX	1
70	2351007000030	RIM REAR AL4 14X1,60-32	1
72	47110071147	SPOKE M4,5X147-14"	32
73	77109072000	SPOKE NIPPLE M4,5 AL 11	32
74	47010073000	RIM BAND 85 SX 14" 2003	1
84	50310084000	CHAIN TENSIONER R/S 2000	1
85	47010085044	AXLE REAR CPL. 85 SX 2003	1
87	50310099000	HEXAGON NUT M20X1,5 '98	1
89	55003135000	PLUG FOR RIM	x
90	77110090050	NUT FOR WHEEL HOLDER	1
91	78109090000	RIM LOCK 1,60"	1
98	00050002002	DRIVETRAIN KIT 85 SX 14T/46T	1
99	70010015000	REAR WHEEL REP. KIT	x

144711010

C144711012

* NEW PART X ON DEMAND



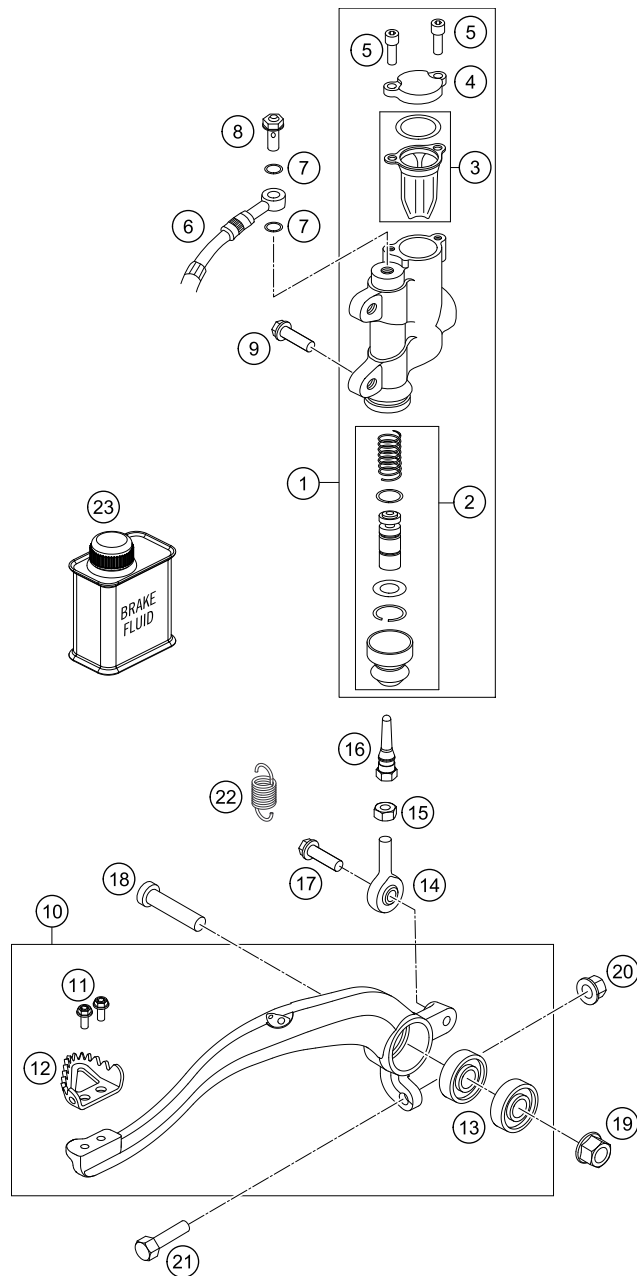
POS	PARTNUMBER	PARTNAME	PIECE
1	47113001100	HAND BRAKE CYLINDER CPL. 10 MM	1
2	72013002000	LEVER CPL.	1
3	70002038000	LEVER SCREW CPL.	1
4	72002032000	REP. KIT PISTON 10MM	1
5	70013003000	COVER HAND BRAKE CYLINDER CPL.	1
6	72013005000	CLAMP	1
7	70013004000	MUDCOVER HANDBRAKE LEVER	1
8	0770080019	O-RING 8,00X1,00 FORMULA	2
9	47013025000	HOLLOW SCREW BRAKE CYLINDER 03	1
10	70013010100	BRAKE HOSE FRONT 1065MM	1
11	00062030000	BRAKE FLUID DOT5.1 0,25L	1
12	72002035000	SPRING FOR CLUTCH LEVER	1

144711310

C144711311

* NEW PART

X ON DEMAND



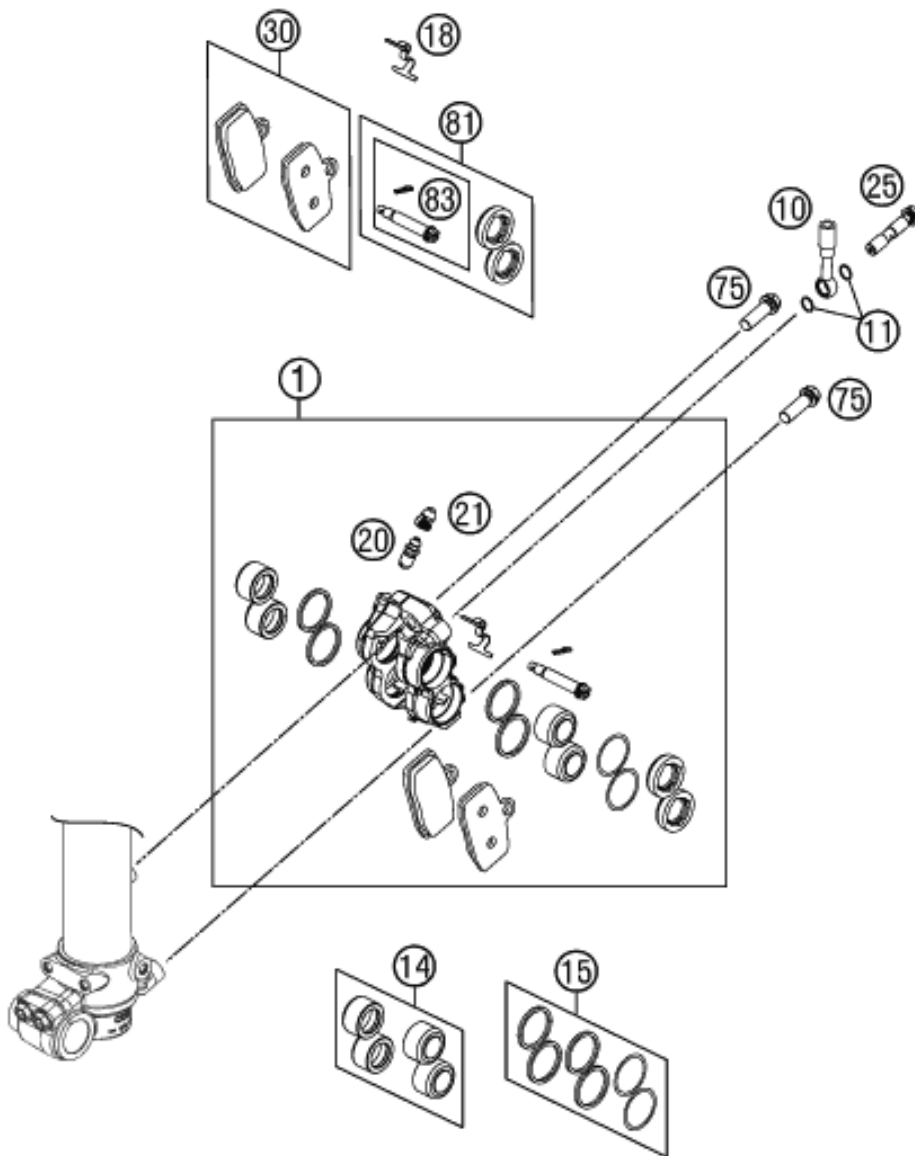
POS	PARTNUMBER	PARTNAME	PIECE
1	47013060300	FOOT BRAKE CYL.R. CPL. D=12 05	1
2	47013061100	REP. SET PISTON REAR D=12 2004	1
3	47013063000	GASKET CYLINDER COVER REAR 03	1
4	47013062000	CYLINDER COVER REAR 85 SX 03	1
5	0912040103	AH.SCREW DIN0912-M 4X10	2
6	47013070000	BRAKE HOSE REAR 85 SX 03	1
7	0770080019	O-RING 8,00X1,00 FORMULA	2
8	47013025000	HOLLOW SCREW BRAKE CYLINDER 03	1
9	0025060126	HH COLLAR SCREW M6X12 TX30	2
10	47013050044	FOOT BRAKE LEVER CPL. 85 SX 03	1
11	0025050126	HH COLLAR SCREW M5X12 TX30	2
12	54813051000	STEP PLATE FOR BRAKE LEVER	1
13	0625060002	BALL BEARING SKF 6000-2RS1	2
14	54813055000	SWIVEL HEAD KA6 03	1
15	0934060003	HEXAGON NUT DIN0934-M 6	1
16	47013056100	PRESSURE ROD 85 SX 06	1
17	0025060206	HH COLLAR SCREW M6X20 TX30	1
18	0032100406S	AH-COLLAR SCREW M10X40 ISA45	1
19	54630044000	COLLAR NUT M10 WS=13	1
20	46030045000	COLLAR NUT M8 WS=10	1
21	59001037000	SPECIAL SCREW M8X26 WS=10	1
22	54603062000	RETURN SPRING FOR BRAKE LEVER	1
23	00062030000	BRAKE FLUID DOT5.1 0,25L	1

144711330

C144711330

* NEW PART

X ON DEMAND



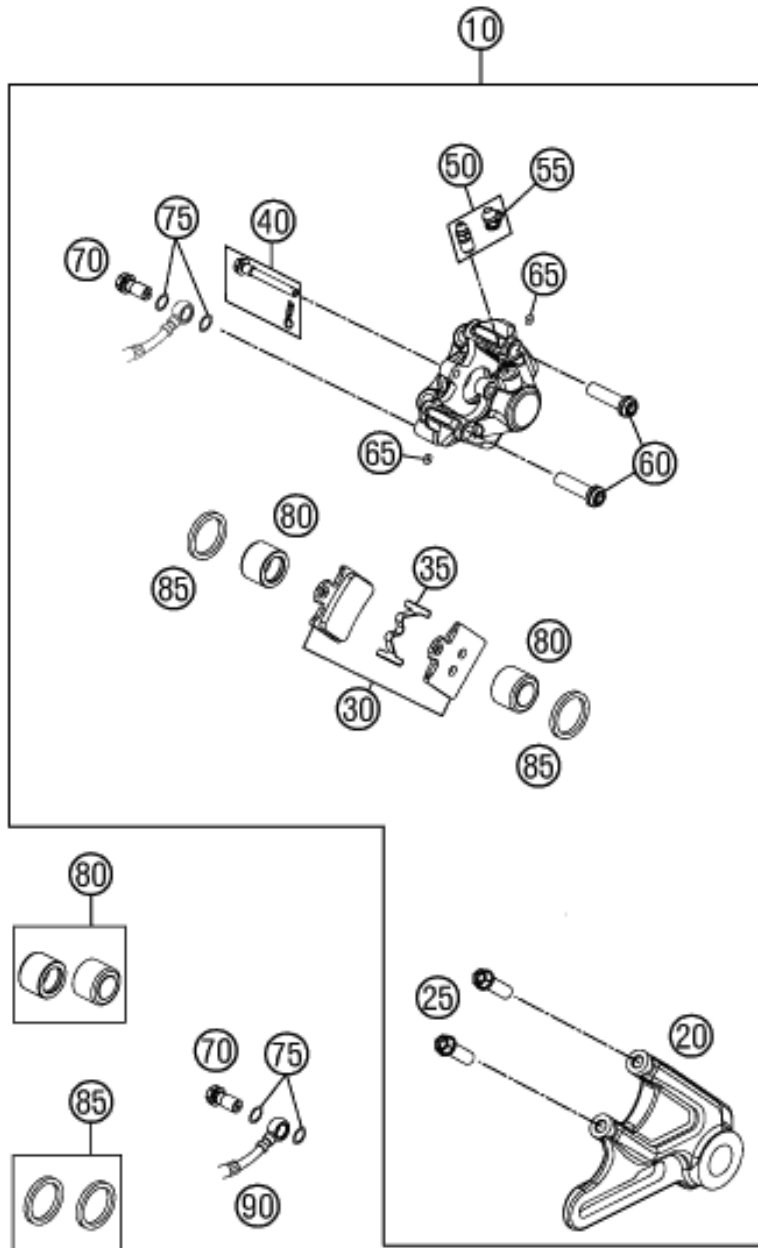
POS	PARTNUMBER	PARTNAME	PIECE
1	47013015100	BRAKE CALIPER FRONT	1
10	70013010100	BRAKE HOSE FRONT 1065MM	1
11	0770080019	O-RING 8,00X1,00 FORMULA	2
14	47013019000	REPAIR KIT BRAKEPISTON	1
15	47013022000	REP. KIT SEALS	1
18	47013018100	RETAINING SPRING FRONT 85SX	1
20	47013020000	BLEEDER SCREW M6	1
21	47013021000	CAP FOR BLEEDER SCREW	1
25	47013025000	HOLLOW SCREW BRAKE CYLINDER 03	1
30	47013030000	BRAKE PAD SET FRONT 2012	1
75	0025080256	HH COLLAR SCREW M8X25 TX40	2
81	47013023000	PISTONCOVER 85SX 2012	1
83	47013030050	PIN BRAKE PAD CPL. 2012	1

134701361

C134701361

* NEW PART

X ON DEMAND



POS	PARTNUMBER	PARTNAME	PIECE
10	47013080300	BREAK CALIPER REAR CPL. 2011	1
20	47013075000	BRAKE CALIPER SUPPORT CPL.	1
25	0025080256	HH COLLAR SCREW M8X25 TX40	2
30	47013090300	BRAKE PADS REAR 85 SX 2011	1
35	47013018000	RETAINING SPRING 85 SX 2011	1
40	47013092000	SPECIAL SCREW WITH SPLINT PIN	1
50	47013085000	BLEEDER SCREW M8X1	1
55	47013021000	CAP FOR BLEEDER SCREW	1
60	47013084000	SPECIAL SCREW CALIPER M8X30	2
65	07700257178	O-RING 2,57X1,78	2
70	47013025000	HOLLOW SCREW BRAKE CYLINDER 03	1
75	0770080019	O-RING 8,00X1,00 FORMULA	2
80	47013083200	REPAIR KIT BRAKEPISTON 2011	1
85	47013081100	REP. KIT SEAL. RINGS REAR 2011	2
90	47013070000	BRAKE HOSE REAR 85 SX 03	1

124701390

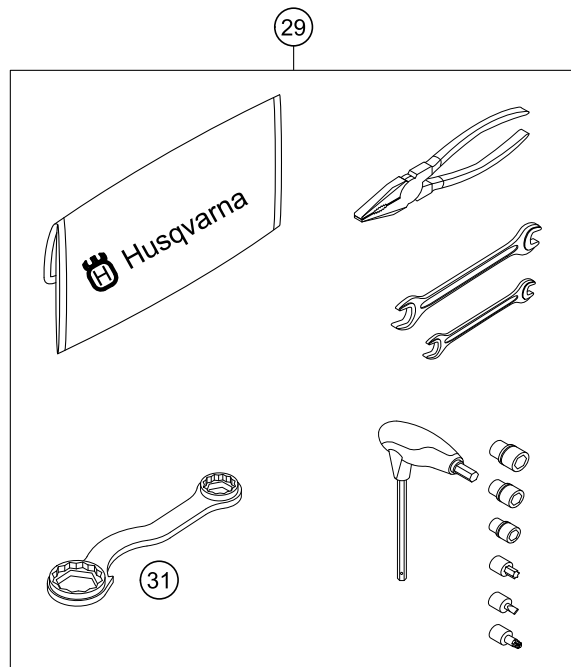
C124701390

* NEW PART

X ON DEMAND

0
OHNE ABBILDUNG
WITHOUT ILLUSTRATION

1
TECHNISCHE DOKUMENTATION
TECHNICAL DOCUMENTATION
DOCUMENTACION TECNICA
DOCUMENTATION TECHNIQUE
NOTE TECNICHE



POS	PARTNUMBER	PARTNAME	PIECE
0	0025060166	HH COLLAR SCREW M6X16 TX30	4
0	80312002000	DOCUMENTS BAG HUSQVARNA	1
0	HQV0109	HUSQVARNA NOTE-PAD	1
0	HQV0110	HUSQVARNA BALLPOINT PEN	1
0	HQV0003GB	HUSQVARNA MR POSTER 2014	1
0	HQV0004DE/GB	HUSKY POWER&STYLE FOLDER 2014	1
0	322000	SAFETY BROCHURES SPORTMINICYC.	1
0	00063004202	PRINT LABEL 60X51 MM	1
0	2350801003328A	FRONT FENDER 85TC	1
0	00062030019	AIR FILTER OIL 100ML	1
0	80302602044	BAR PAD CPL.	1
0	47003020000	PLUG IN STAND SX 85 2003	1
1	3402000EN	OWNERS MANUAL 85 TC 2014	1
29	80329899000	TOOL KIT	1
31	50329080100	WRENCH SW=17/21/27/32 B&F	1

148132000

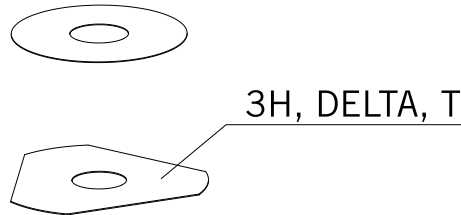
C144712001

* NEW PART

X ON DEMAND



- ⑤ Ø 5 mm
- ⑥ Ø 6 mm
- ⑧ Ø 8 mm
- ⑩ Ø 10 mm
- ⑫ Ø 12 mm
- ⑭ Ø 14-14,5 mm
- ⑯ Ø 16 mm
- ⑳ Ø 20 mm
- ㉑ Ø 21 mm
- ㉒ Ø 22 mm
- ㉓ Ø 23 mm
- ㉔ Ø 24,5 mm
- ㉘ Ø 28,5 mm
- ㉚ Ø 32 mm
- ㉜ Ø 52 mm



POS	PARTNUMBER	PARTNAME	PIECE
5	44906890	WASHER 5X15X2	X
6	40540400	SHIM 6X12X0,1	X
6	40540401	SHIM 6X14X0,1	X
6	40540402	SHIM 6X16X0,1	X
6	40540403	SHIM 6X18X0,1	X
6	40540404	SHIM 6X12X0,15	X
6	40540405	SHIM 6X14X0,15	X
6	40540406	SHIM 6X16X0,15	X
6	40540407	SHIM 6X18X0,15	X
6	40540408	SHIM 6X12X0,2	X
6	40540409	SHIM 6X14X0,2	X
6	40540410	SHIM 6X16X0,2	X
6	40540411	SHIM 6X18X0,2	X
6	48600095	* SHIM 6X20X0,20	X
6	40540412	SHIM 6X12X0,25	X
6	40540413	SHIM 6X14X0,25	X
6	40540414	SHIM 6X16X0,25	X
6	40540415	SHIM 6X18X0,25	X
6	40540417	SHIM 6X8,5X0,10	X
6	40540418	SHIM 6X9X0,10	X
6	40540419	SHIM 6X9,5X0,10	X
6	40540423	SHIM 6X9,5X0,15	X
6	40540425	SHIM 6X8,5X0,20	X
6	40540426	SHIM 6X9X0,20	X
6	40540427	SHIM 6X9,5X0,20	X
6	40540447	SHIM 6X10X0,3	X
6	40540449	SHIM 6X9X0,3	X
6	40540450	SHIM 6X9,5X0,3	X
6	40540494	SHIM 6X18X0,4	X
6	40540774	SHIM 6X18X0,1 DELTA	X
6	40541383	SHIM 6X11X0,1	X
6	40541391	SHIM 6X11X0,3	X
6	40541402	SHIM 6X11X0,2	X
6	40541403	SHIM 6X10X0,20	X
6	40541404	SHIM 6X10X0,1	X
6	40541405	SHIM 6X10X0,15	X
6	40541406	SHIM 6X11X0,15	X
6	40541408	SHIM 6X8,0X0,30	X

080000190

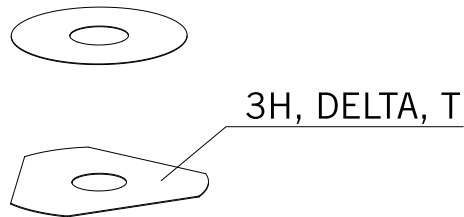
C130009090

* NEW PART

X ON DEMAND



- ⑤ Ø 5 mm
- ⑥ Ø 6 mm
- ⑧ Ø 8 mm
- ⑩ Ø 10 mm
- ⑫ Ø 12 mm
- ⑭ Ø 14-14,5 mm
- ⑯ Ø 16 mm
- ⑳ Ø 20 mm
- ㉑ Ø 21 mm
- ㉒ Ø 22 mm
- ㉓ Ø 23 mm
- ㉔ Ø 24,5 mm
- ㉘ Ø 28,5 mm
- ㉚ Ø 32 mm
- ㉞ Ø 52 mm



POS	PARTNUMBER	PARTNAME	PIECE
6	40541414	SHIM 6X8,0X0,10	X
6	40541416	SHIM 6X8X0,3	X
6	40541417	SHIM 6X11X0,25	X
6	48600102	* SHIM 6X24X0,25	X
6	48600063	SHIM 6X24X0,1	X
6	48600064	SHIM 6X22X0,1	X
6	48600065	SHIM 6X20X0,1	X
6	48600069	SHIM 6X20X0,15	X
6	48600100	SHIM 6X24X0,15	X
6	48600116	SHIM 6X24X0,1 DELTA	X
6	48600139	SHIM 6X22X0,1 DELTA	X
6	48600217	BACKPLATE 6X10X0,25	X
6	48600325	SHIM 6X13X0,1	X
6	48600327	SHIM 6X15X0,1	X
6	48600329	SHIM 6X17X0,1	X
6	48600331	SHIM 6X19X0,1	X
6	48600096	* SHIM 6X20X0,25	X
6	48600097	SHIM 6X22X0,15	X
6	48600099	* SHIM 6X22X0,25	X
6	40540448	BACKPLATE 6X8,5X0,30	X
6	48600479	SHIM 6X20X0,1 T/3H	X
6	48600332	SHIM 6X21X0,1	X
6	48600333	SHIM 6X23X0,1	X
6	40541393	* SHIM 6X12X0,3	X
6	48600330	SHIM 6X17X0,15	X
6	48600988	SHIM 6X28X0,10	X
6	48600989	SHIM 6X26X0,10	X
6	48601091	SHIM 6X28X0,15	X
6	48601093	SHIM 6X26X0,15	X
8	40540477	SHIM 8X18X0,4	X
8	43570120	SHIM 8X18X0,10	X
8	44916098	WASHER 8,4X16X0,8	X
8	44916130	WASHER 8,2X15X1	X
8	44916180	WASHER 8,2X11X1	X
8	48600214	SHIM 8X16X0,1	X
8	48600346	SHIM 8X11X0,2	X
8	48600215	CHECK VALVE 8X20X0,1	X
8	48600061	CHECK VALVE 8X24X0,4	X

080000190

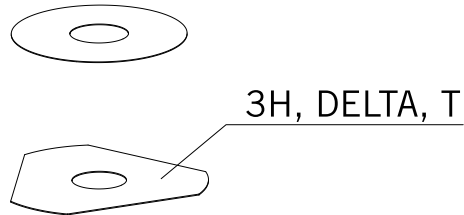
C130009090

* NEW PART

X ON DEMAND



- ⑤ Ø 5 mm
- ⑥ Ø 6 mm
- ⑧ Ø 8 mm
- ⑩ Ø 10 mm
- ⑫ Ø 12 mm
- ⑭ Ø 14-14,5 mm
- ⑯ Ø 16 mm
- ⑳ Ø 20 mm
- ㉑ Ø 21 mm
- ㉒ Ø 22 mm
- ㉓ Ø 23 mm
- ㉔ Ø 24,5 mm
- ㉘ Ø 28,5 mm
- ㉚ Ø 32 mm
- ㉜ Ø 52 mm



POS	PARTNUMBER	PARTNAME	PIECE
8	4860062	CHECK VALVE 8X24X0,1	X
8	48600216	CHECK VALVE 8X22X0,1	X
8	48600480	SHIM 8X10X0,20	X
8	48600555	SHIM 8X16X0,20	X
8	48600213	SHIM 8X14X0,10	X
8	48600357	CHECK VALVE 8X11X0,1	X
8	48600351	CHECK VALVE 8X12X0,1	X
8	48600607	SHUTTLE VALVE 8X20X0,4	X
8	48601095	SHIM 8X17X0,10	X
8	48600218	BACKPLATE 8X11X0,40	X
10	36120284	SHIM 10X16X0,10	X
10	36120298	SHIM 10X16X0,2	X
10	36120312	SHIM 10X16X0,30	X
10	36120314	SHIM 10X18X0,30	X
10	36120325	SHIM 10X19X0,15	X
10	36120327	SHIM 10X23X0,15	X
10	36120328	SHIM 10X25X0,15	X
10	36120329	SHIM 10X27X0,15	X
10	36120330	SHIM 10X29X0,15	X
10	36120331	SHIM 10X31X0,15	X
10	36120332	SHIM 10X33X0,15	X
10	36120334	SHIM 10X21X0,20	X
10	36120335	SHIM 10X23X0,20	X
10	36120336	SHIM 10X25X0,20	X
10	36120337	SHIM 10X27X0,20	X
10	36120338	SHIM 10X29X0,20	X
10	36120339	SHIM 10X31X0,20	X
10	36120340	SHIM 10X33X0,20	X
10	36120342	SHIM 10X21X0,25	X
10	36120343	SHIM 10X23X0,25	X
10	36120344	SHIM 10X25X0,25	X
10	36120345	SHIM 10X27X0,25	X
10	36120349	SHIM 10X19X0,30	X
10	36120350	SHIM 10X21X0,30	X
10	40140275	WASHER 10X35X0,15	X
10	36120346	* SHIM 10X29X0,25	X
10	50180010	* SHIM 16X24X0,10	X
10	36120604	SHIM D10XD22X2,5	X

080000190

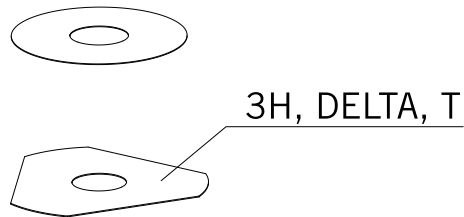
C130009090

* NEW PART

X ON DEMAND



- ⑤ Ø 5 mm
- ⑥ Ø 6 mm
- ⑧ Ø 8 mm
- ⑩ Ø 10 mm
- ⑫ Ø 12 mm
- ⑭ Ø 14-14,5 mm
- ⑯ Ø 16 mm
- ⑳ Ø 20 mm
- ㉑ Ø 21 mm
- ㉒ Ø 22 mm
- ㉓ Ø 23 mm
- ㉔ Ø 24,5 mm
- ㉘ Ø 28,5 mm
- ㉚ Ø 32 mm
- ㉜ Ø 52 mm



POS	PARTNUMBER	PARTNAME	PIECE
12	46810490	SHIM 12X24X0,20	X
12	46810491	SHIM 12X26X0,20	X
12	46810492	SHIM 12X28X0,20	X
12	46810493	SHIM 12X30X0,20	X
12	46810494	SHIM 12X32X0,20	X
12	46810495	SHIM 12X34X0,20	X
12	46810496	SHIM 12X36X0,20	X
12	46810497	SHIM 12X38X0,20	X
12	46810498	SHIM 12X40X0,20	X
12	46810499	SHIM 12X24X0,25	X
12	46810500	SHIM 12X26X0,25	X
12	46810501	SHIM 12X28X0,25	X
12	46810502	SHIM 12X30X0,25	X
12	46810504	SHIM 12X34X0,25	X
12	46810505	SHIM 12X36X0,25	X
12	46810507	SHIM 12X40X0,25	X
12	46810508	SHIM 12X24X0,30	X
12	46810509	SHIM 12X26X0,30	X
12	46810510	SHIM 12X28X0,30	X
12	46810512	SHIM 12X32X0,30	X
12	46810513	SHIM 12X34X0,30	X
12	46810518	SHIM 12X26X0,15	X
12	46810519	SHIM 12X28X0,15	X
12	46810520	SHIM 12X30X0,15	X
12	46810521	SHIM 12X32X0,15	X
12	46810522	SHIM 12X34X0,15	X
12	46810523	SHIM 12X36X0,15	X
12	46810524	SHIM 12X38X0,15	X
12	46810525	SHIM 12X40X0,15	X
12	46810604	SHIM 12X20X0,10	X
12	46810606	SHIM 12X22X0,10	X
12	46810607	SHIM 12X23X0,10	X
12	46810608	SHIM 12X24X0,10	X
12	46810610	SHIM 12X27X0,15	X
12	46810611	SHIM 12X18X0,15	X
12	46810612	SHIM 12X19X0,15	X
12	46810615	SHIM 12X22X0,15	X
12	46810636	BACKPLATE 12X16X0,30	X

080000190

C130009090

* NEW PART

X ON DEMAND



3H, DELTA, T

- ⑤ Ø 5 mm
- ⑥ Ø 6 mm
- ⑧ Ø 8 mm
- ⑩ Ø 10 mm
- ⑫ Ø 12 mm
- ⑭ Ø 14-14,5 mm
- ⑯ Ø 16 mm
- ⑳ Ø 20 mm
- ㉑ Ø 21 mm
- ㉒ Ø 22 mm
- ㉓ Ø 23 mm
- ㉔ Ø 24,5 mm
- ㉘ Ø 28,5 mm
- ㉚ Ø 32 mm
- ㉜ Ø 52 mm

POS	PARTNUMBER	PARTNAME	PIECE
12	46810637	BACKPLATE 12X17X0,30	X
12	46810638	BACKPLATE 12X18X0,30	X
12	46810639	SHIM 12X19X0,30	X
12	46810641	BACKPLATE 12X21X0,30	X
12	46811582	BACKPLATE 12X30X0,10	X
12	46810631	SHIM 12X20X0,25	X
12	46810633	SHIM 12X22X0,25	X
12	46811580	SHIM 12X32X0,10	X
12	46810503	SHIM 12X32X0,25	X
12	46810517	* SHIM 12X24X0,15	X
12	46810640	SHIM 12X20X0,30	X
12	46811258	RING 12X24X2,5	X
14	46811046	SHIM 14,5X35,4X1,25	X
16	50180023	* SHIM 16X23X0,20	X
16	50180030	SHIM	X
16	50180006	BACKPLATE 16X20X0,10	X
16	50180007	SHIM 16X21X0,10	X
16	50180028	SHIM 16X21X0,25	X
16	50180210	WASHER 16X21X1	X
16	50180008	SHIM 16X22X0,10	X
16	50180022	SHIM 16X22X0,20	X
16	50180037	SHIM 16X23X0,30	X
16	50180038	SHIM 16X24X0,30	X
16	50180032	SHIM 15X25X0,25	X
16	50180039	SHIM 16X25X0,30	X
16	50180012	SHIM 16X26X0,10	X
16	50180019	SHIM 16X26X0,15	X
16	50180026	SHIM 16X26X0,20	X
16	50180040	SHIM 16X26X0,30	X
16	50180041	SHIM 16X28X0,10	X
16	50180045	SHIM 16X28X0,15	X
16	50180054	SHIM 16X28X0,20	X
16	50180063	SHIM 16X28X0,25	X
16	50180072	SHIM 16X28X0,30	X
16	50180046	SHIM 16X30X0,15	X
16	50180055	SHIM 16X30X0,20	X
16	50180064	SHIM 16X30X0,25	X
16	50180073	SHIM 16X30X0,30	X

080000190

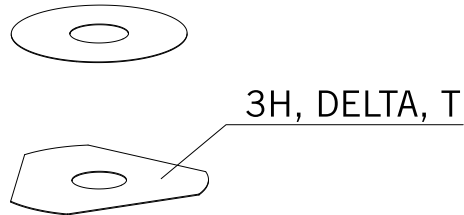
C130009090

* NEW PART

X ON DEMAND



- ⑤ Ø 5 mm
- ⑥ Ø 6 mm
- ⑧ Ø 8 mm
- ⑩ Ø 10 mm
- ⑫ Ø 12 mm
- ⑭ Ø 14-14,5 mm
- ⑯ Ø 16 mm
- ⑳ Ø 20 mm
- ㉑ Ø 21 mm
- ㉒ Ø 22 mm
- ㉓ Ø 23 mm
- ㉔ Ø 24,5 mm
- ㉘ Ø 28,5 mm
- ㉚ Ø 32 mm
- ㉜ Ø 52 mm



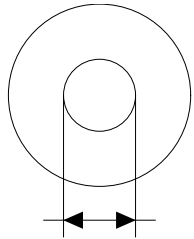
POS	PARTNUMBER	PARTNAME	PIECE
16	50180047	SHIM 16X32X0,15	X
16	50180056	SHIM 16X32X0,20	X
16	50180065	SHIM 16X32X0,25	X
16	50180074	SHIM 16X32X0,30	X
16	50180044	SHIM 16X34X0,10	X
16	50180048	SHIM 16X34X0,15	X
16	50180057	SHIM 16X34X0,20	X
16	50180066	SHIM 16X34X0,25	X
16	50180075	SHIM 16X34X0,30	X
16	50180049	SHIM 16X36X0,15	X
16	50180058	SHIM 16X36X0,20	X
16	50180067	SHIM 16X36X0,25	X
16	50180076	SHIM 16X36X0,30	X
16	50180050	SHIM 16X38X0,15	X
16	50180059	SHIM 16X38X0,20	X
16	50180068	SHIM 16X38X0,25	X
16	50180077	SHIM 16X38X0,30	X
16	50180051	SHIM 16X40X0,15	X
16	50180060	SHIM 16X40X0,20	X
16	50180069	SHIM 16X40X0,25	X
16	50180078	SHIM 16X40X0,30	X
16	50180052	SHIM 16X42X0,15	X
16	50180061	SHIM 16X42X0,20	X
16	50180070	SHIM 16X42X0,25	X
16	50180079	SHIM 16X42X0,30	X
16	50180053	SHIM 16X44X0,15	X
16	50180062	SHIM 16X44X0,20	X
16	50180071	SHIM 16X44X0,25	X
16	50180080	SHIM 16X44X0,30	X
16	50180177	WASHER 16X8,2X0,6	X
16	50180033	SHIM 16X26X0,25	X
16	50180034	BACKPLATE 16X20X0,30	X
16	50180035	BACKPLATE 16X21X0,30	X
16	50180036	BACKPLATE 16X22X0,30	X
16	50180043	SHIM	X
16	50180024	* SHIM 16X24X0,20	X
16	50180027	* SHIM 16X20X0,25	X
16	50180031	SHIM	X

080000190

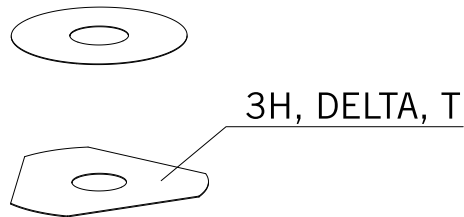
C130009090

* NEW PART

X ON DEMAND



- ⑤ Ø 5 mm
- ⑥ Ø 6 mm
- ⑧ Ø 8 mm
- ⑩ Ø 10 mm
- ⑫ Ø 12 mm
- ⑭ Ø 14-14,5 mm
- ⑯ Ø 16 mm
- ⑳ Ø 20 mm
- ㉑ Ø 21 mm
- ㉒ Ø 22 mm
- ㉓ Ø 23 mm
- ㉔ Ø 24,5 mm
- ㉘ Ø 28,5 mm
- ㉚ Ø 32 mm
- ㉜ Ø 52 mm



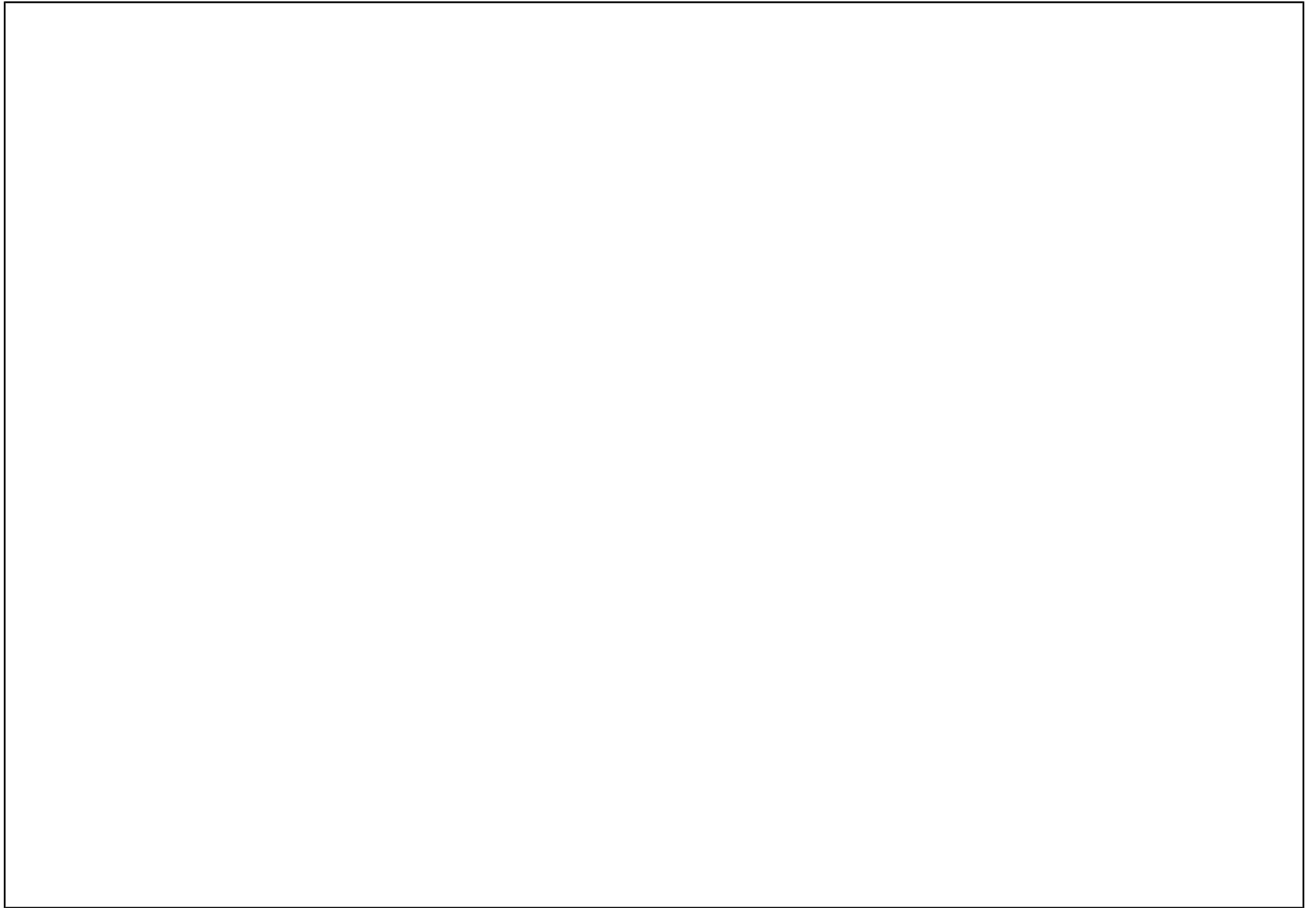
POS	PARTNUMBER	PARTNAME	PIECE
20	48600212	PRESSURE-RING 20X16,25X0,20	X
20	50180666	SHIM 20X24X0,30	X
20	50180654	SHIM 20X36X0,20	X
20	50180655	SHIM 20X38X0,20	X
20	50180656	SHIM 20X40X0,20	X
20	50180665	SHIM 20X40X0,25	X
20	50180662	SHIM 20X34X0,25	X
20	50180657	SHIM 20X24X0,25	X
20	50180653	SHIM 20X34X0,20	X
20	50180634	RING 20X22,9X1	X
20	50180650	SHIM 20,2X28X0,20	X
20	50180663	SHIM 20X36X0,25	X
20	50180664	SHIM 20X38X0,25	X
20	50180659	SHIM 20,2X28X0,25	X
21	50180209	WASHER 21X36X0,25	X
22	50180330	* PRESS. RING 22X18X0,30	X
23	50180635	SHUTTLE VALVE 23X38X0,25	X
23	50180578	SHIM D23XD16X2	X
24	40541061	WASHER 24,5X34X2	X
28	36120469	SHIM 28,5X14X2	X
28	36120471	SHIM 28,5X14X5	X
32	48600460	WASHER 32X42X2,5	X
32	50600065	SHIM 32X45X2	X
32	46811637	PRESSURE RING 36X32,25	X
52	50600002	SHIM 52X59X2,2	X

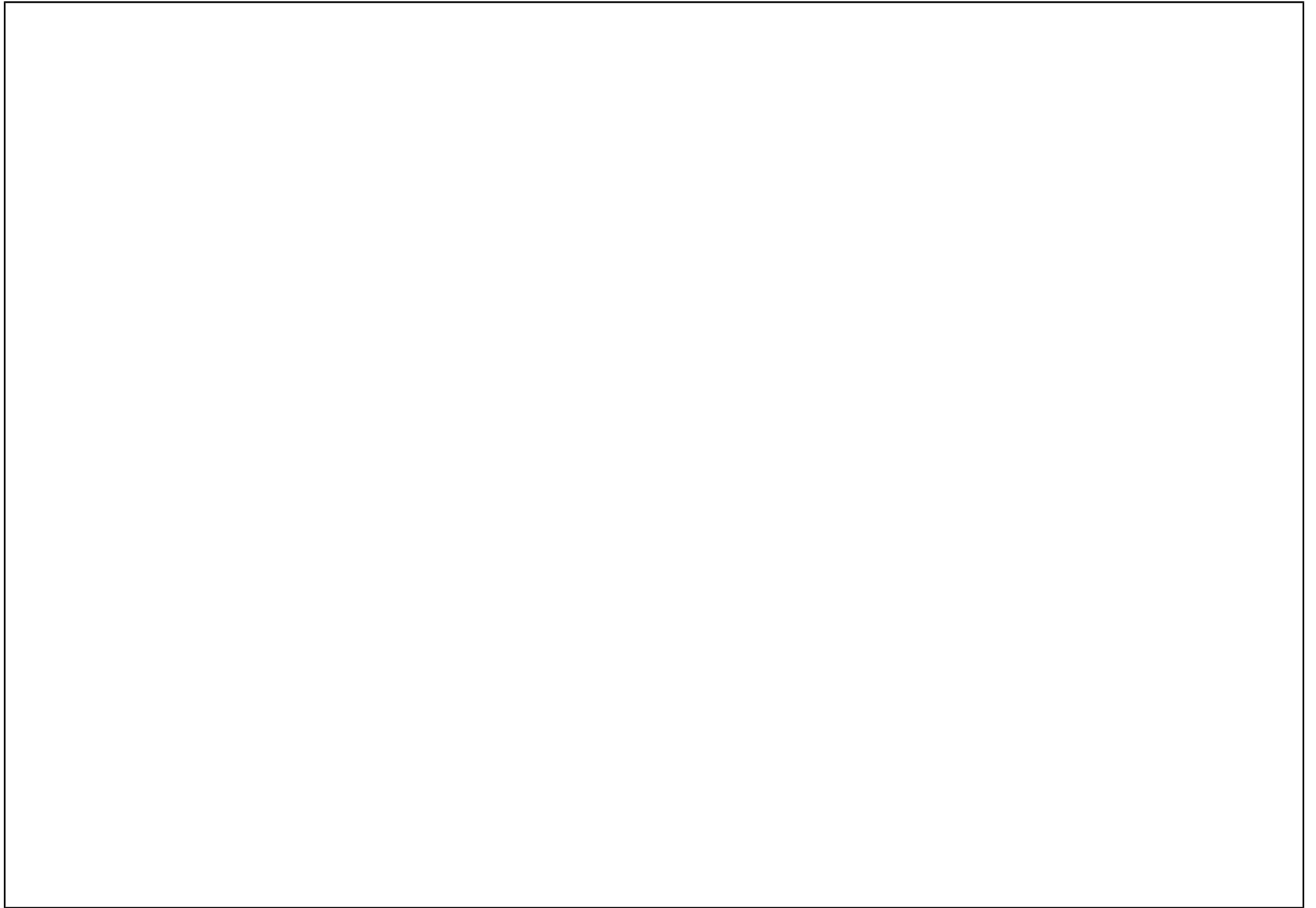
080000190

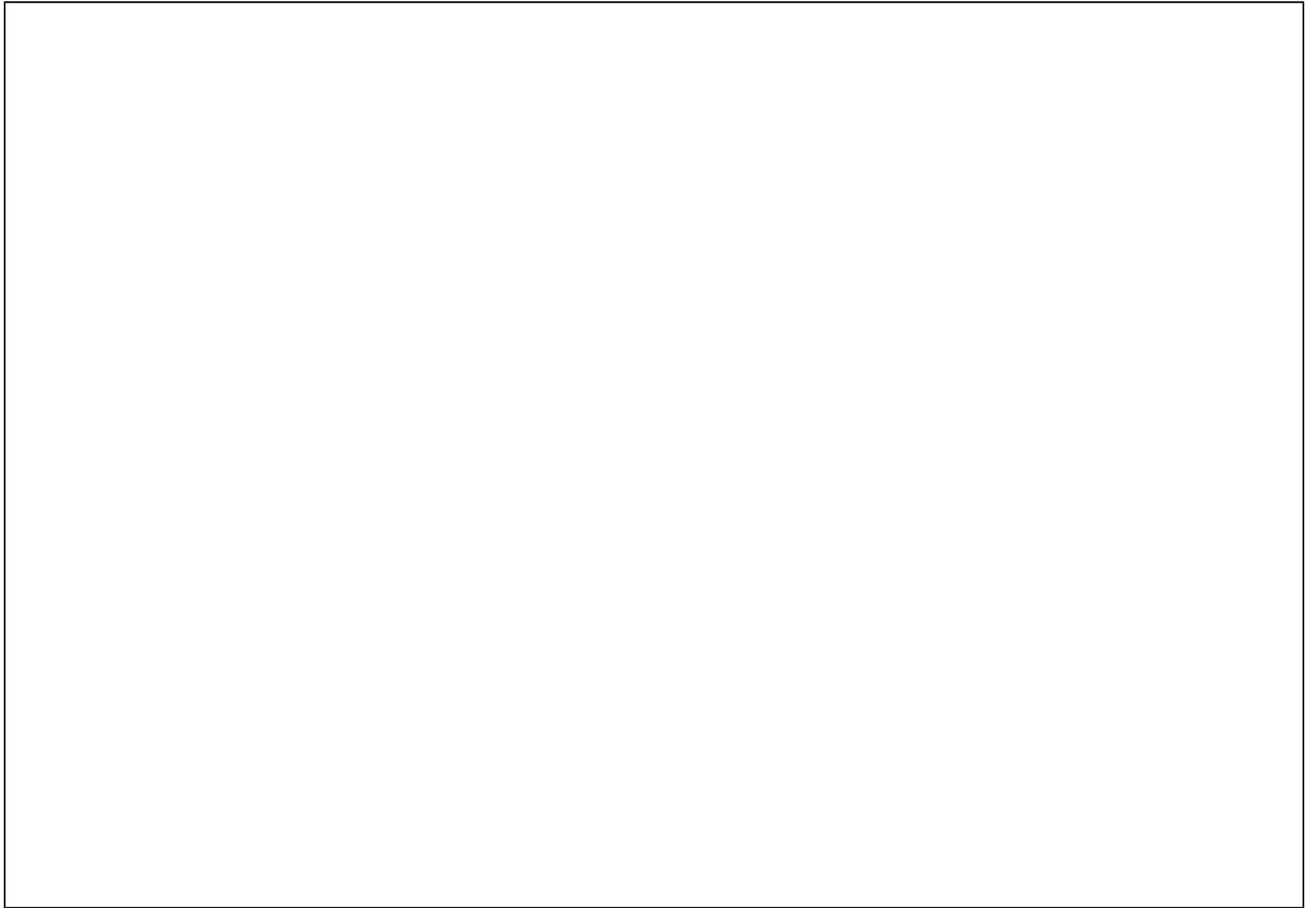
C130009090

* NEW PART

X ON DEMAND









3CFF2001N8EN



Husqvarna Motorcycles GmbH
Stallhofnerstraße 3 | 5230 Mattighofen | Austria
www.husqvarna-motorcycles.com



THE PIONEERS OF MOTOCROSS

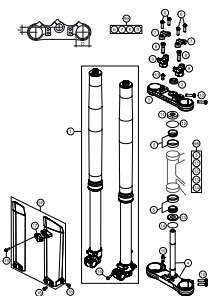
SPAREPARTSCATALOG

CHASSIS

ART.-NR.: 3CFF2001N9EN

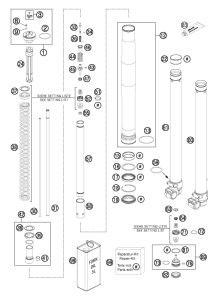
TC 85 19/16 2014

FRONT FORK, TRIPLE CLAMP



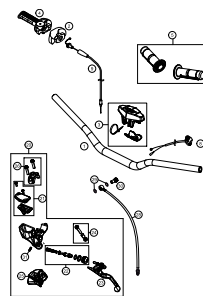
3

FRONT FORK DISASSEMBLED



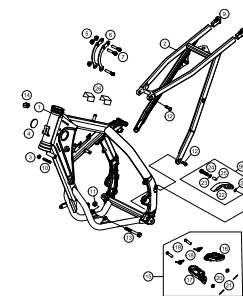
4

HANDLEBAR, CONTROLS



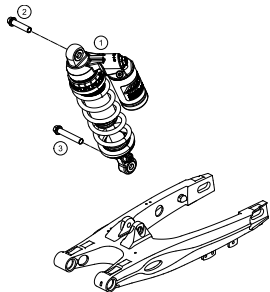
6

FRAME, SUB FRAME



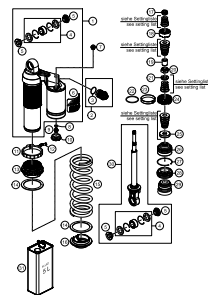
7

SHOCK ABSORBER



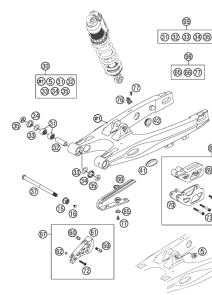
8

SHOCK ABSORBER DISASSEMBLED



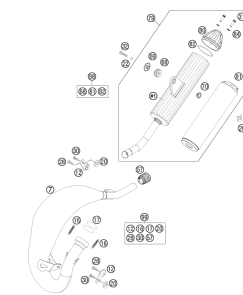
9

SWING ARM



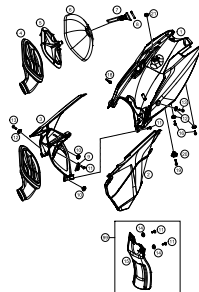
10

EXHAUST SYSTEM



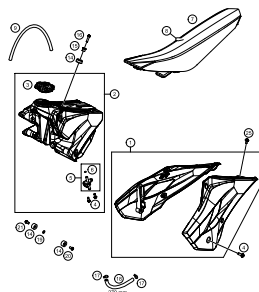
11

AIR FILTER



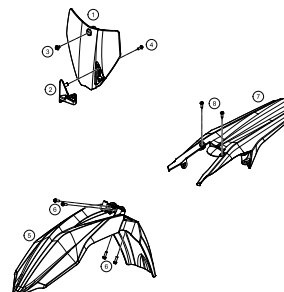
12

TANK, SEAT, COVER



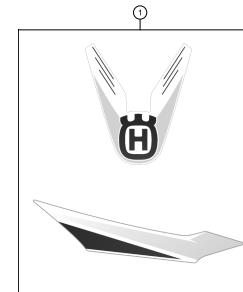
13

MASK, FENDERS



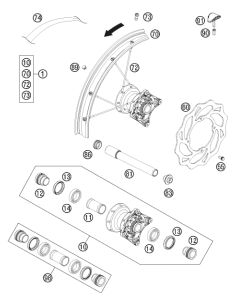
14

DECAL



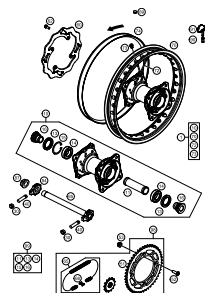
15

FRONT WHEEL



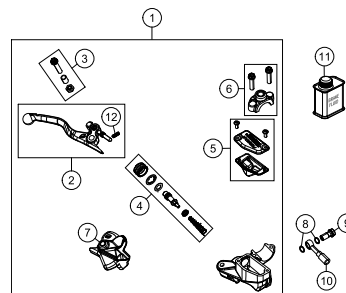
16

REAR WHEEL



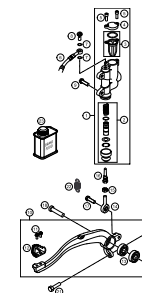
17

HAND BRAKE CYLINDER



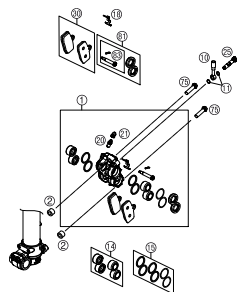
18

REAR BRAKE CONTROL



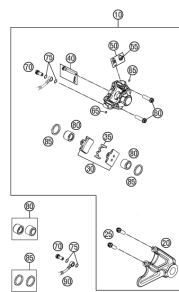
19

BRAKE CALIPER FRONT



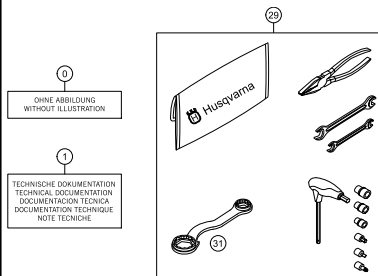
20

BRAKE CALIPER REAR



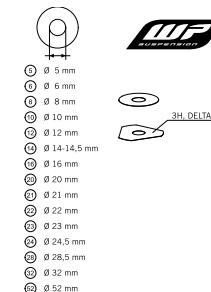
21

ACCESSORIES KIT



22

WP SHIMS FOR SETTING

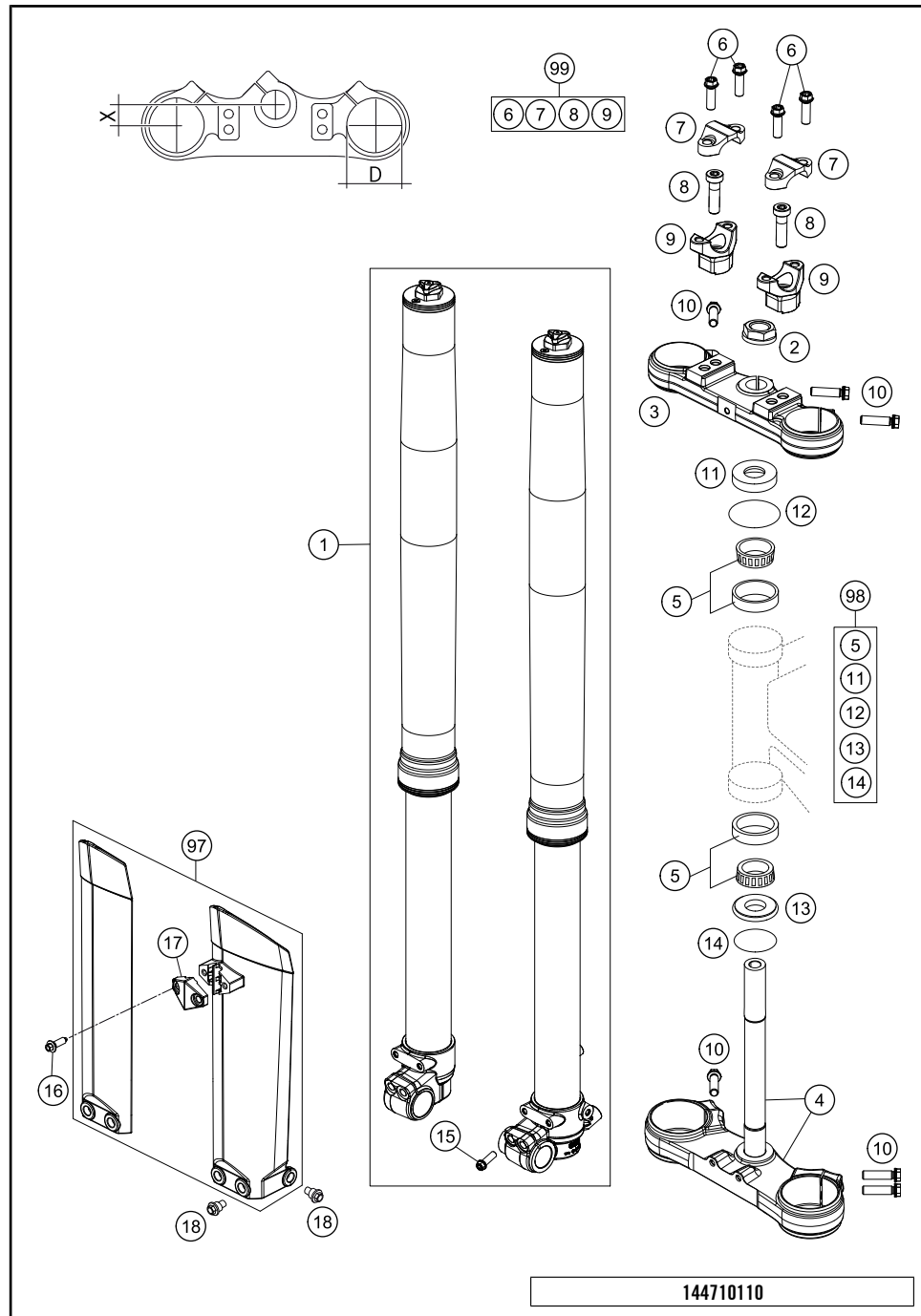


23



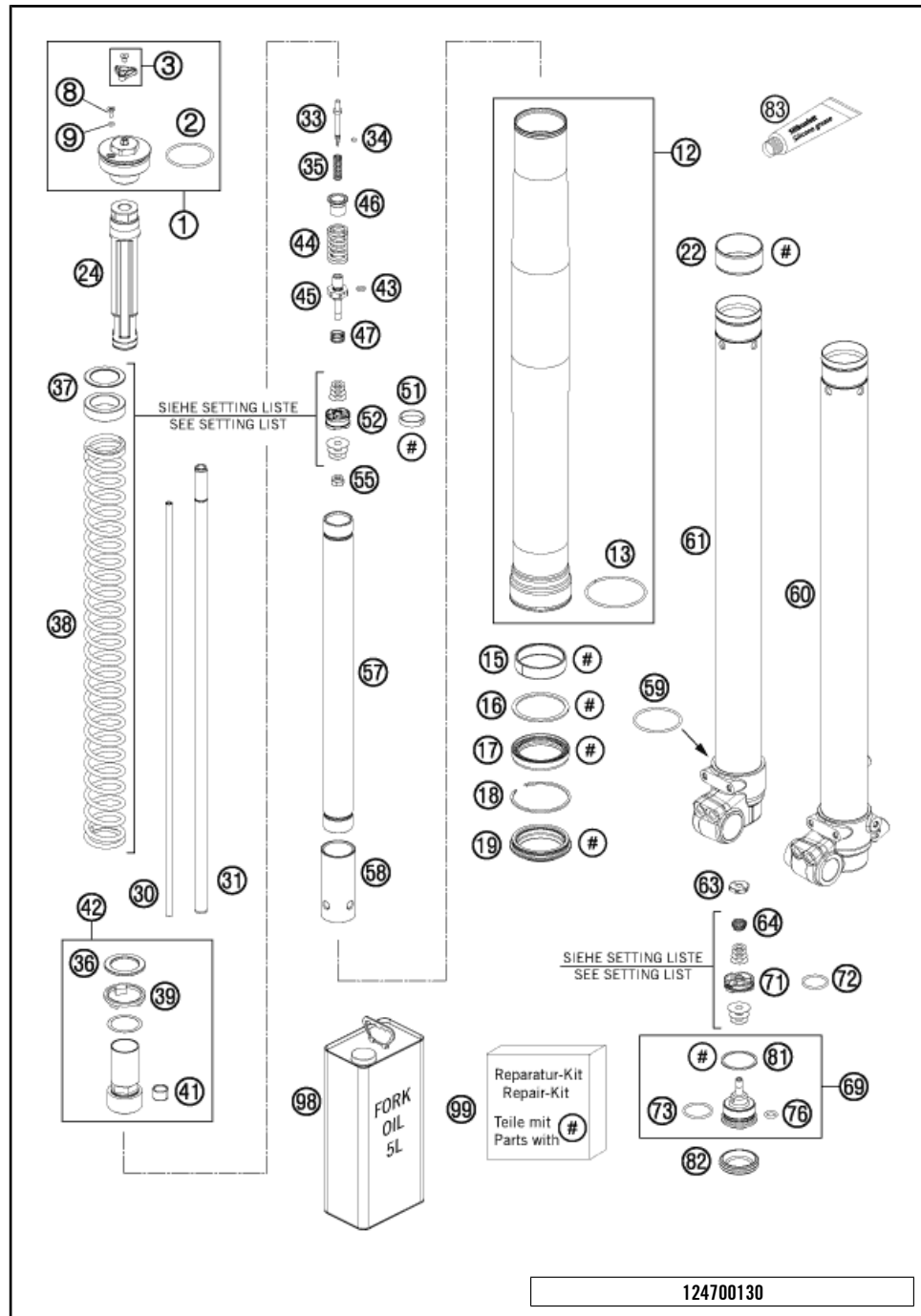
All information contained is without obligation. HUSQVARNA MOTORCYCLES GmbH particularly reserves the right to modify any equipment, technical specifications, prices, colors, shapes, materials, services, service work, constructions, equipment and the like so as to adapt them to local conditions or to cancel any of the above items, all without previous announcement and without giving reasons. KTM may stop manufacturing certain models without previous notice. HUSQVARNA MOTORCYCLES shall not be held liable for any deviations of availability and/or ability to deliver, illustrations, descriptions, printing and/or other errors. The illustrated models partly contain extra equipment, which is not applied to standard models.

© by HUSQVARNA MOTORCYCLES GmbH, Mattighofen AUSTRIA; All rights reserved; Reprint, also in extracts, with written allowance of HUSQVARNA MOTORCYCLES GmbH, Mattighofen only.



POS	PARTNUMBER	PARTNAME	PIECE
1	05187M0501	FORK WP 85SX 2013	1
2	59030029000	HH NUT M20X1,5 WS=27 RIGHT	1
3	47101034114	TOP TRIPLE CLAMP	1
4	47101032114	BOTTOM TRIPLE CLAMP CPL.	1
5	49001081000	TAPERED ROLLER BEARING 32004X	2
6	0025080256	HH COLLAR SCREW M8X25 TX40	4
7	77201038000	HANDLEBAR CLAMP 28MM	2
8	0032100356S	AH-COLLAR SCREW M10X35 ISA45	2
9	59401039037	HANDLEB.SUPP. D=28MM H=37MM 05	2
10	0025080306	HH COLLAR SCREW M8X30 TX40	6
11	49001086000	COVERING CAP	1
12	0770021300	O-RING 40,94X2,62 NBR70	1
13	46001086000	PROTECTION RING 20,1X39X5	1
15	0025060206	HH COLLAR SCREW M6X20 TX30	4
16	0017060206	SCREW F. PLASTIC K60X20AL SW6	2
17	47101085000DA	CLAMP FOR BRAKE HOSE YELLOW	1
18	59001092050	SPECIAL SCREW M6X12,5 WS=8	6
97	47101094000DA	FORK PROTECTOR SET 85TC YELLOW	1
98	00050000931	STEERING HEAD REP. KIT MINI	x
99	00050000921	HANDLEBAR SUPPORT KIT D28/H37	x

* NEW PART X ON DEMAND

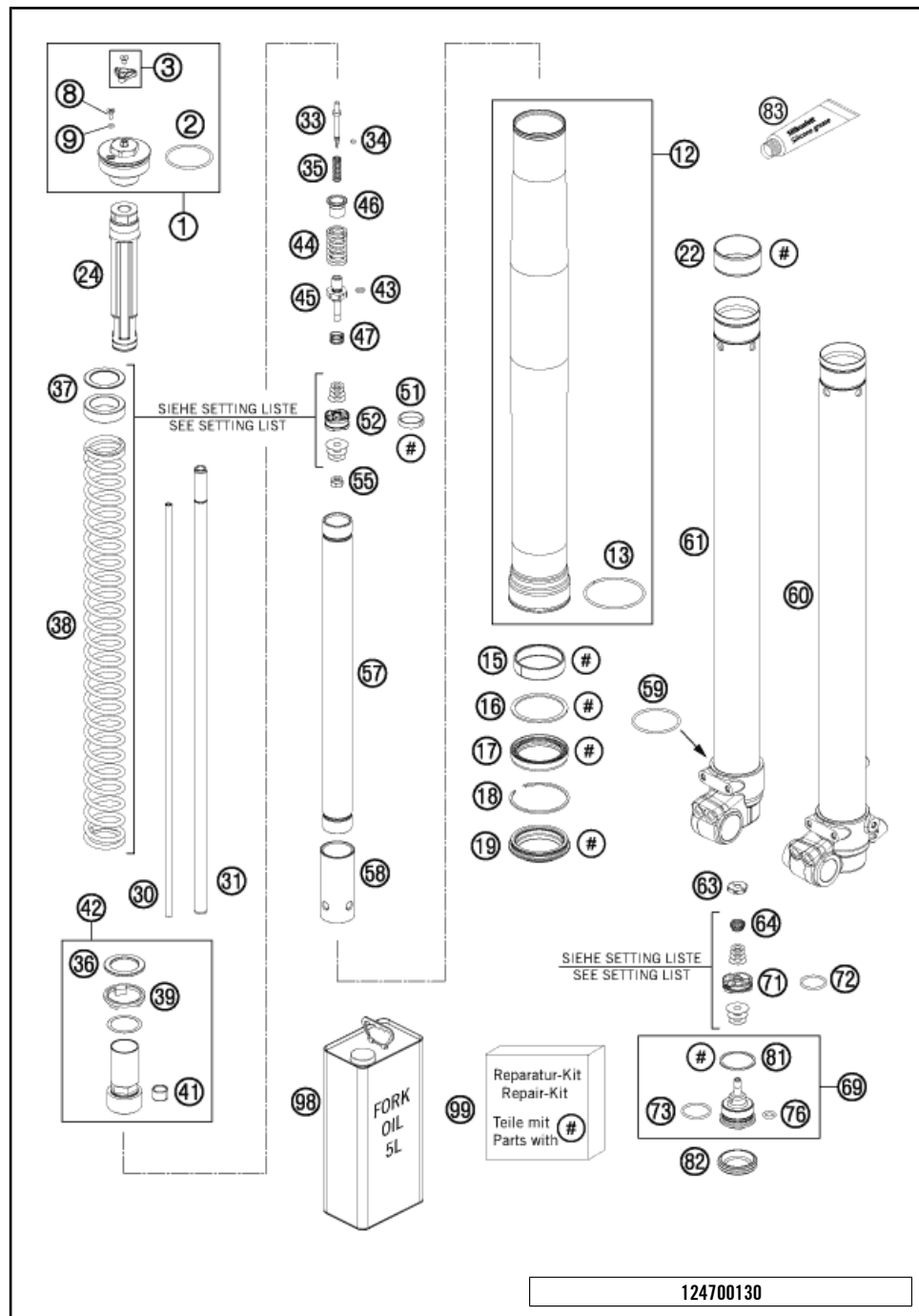


POS	PARTNUMBER	PARTNAME	PIECE
1	43570395S1	SCREW CAP M4X1,5 CPL.	2
2	46811042	O-RING 40,00X2,00 WP	2
3	48600812S	ADJUSTING KNOB + SCREW	2
8	48600481	VENT SCREW M4X8	2
9	48600046	O-RING NBR 3X1,5	2
12	43570614E	OUTER TUBE L510 D49/53	2
13	43570099	GUIDING RING D=53MM	2
15	43570618	GUIDE BUSHING 43X47X12	2
16	43570092	SUPPORT RING 45 X 52,5 X 1,5	2
17	43570201	OIL SEAL RING 43 X 52,9 X 9,5	2
18	43570008	LOCK WASHER SB53	2
19	43570202	DUST STRIPPER 43 X 53,4 X 11,8	2
22	43570617	GUIDE BUSHING 42X44X20 R11	2
24	43570396S	STOP L135MM D28,6MM D12MM CPL.	2
30	48600695	ADJUSTMENT TUBE L=442 MM	2
31	48600694	PISTON ROD D=12MM L=476MM	2
33	48600277	ADJUSTER NEEDLE 07	2
34	48600298	O-RING 2X1,5 NBR	2
35	48600444	REBOUND SPRING C=4N/MM	2
36	43570133	SPACER 26X38X2,5	2
37	43570133	SPACER 26X38X2,5	2
37	43570134	SPACER 26X38X5	2
37	43570135	SPACER 26X38X10	2
37	43570136	SPACER 26X38X1,5	2
38	95010032S	SPRING 3,4 N/MM SET D=4,4MM	x
38	95010033S	SPRING 3,6 N/MM SET	x
38	95010031S	SPRING 3,2 N/MM SET D=4,2MM	x
39	43570131	INTERM. RING 26,2X38,5X3	2
41	48600430	DU BUSH FOR PISTON ROD	2
42	48600830S2	SCREW SLEEVE M27X0,8 CPL.	2
43	48600299	O-RING 6X1,2 NBR	2
44	48600511	REBOUND SPRING L=32 C=17	2
45	48600513	TAP REBOUND 07	2
46	48600525	GUIDING BUSH REBOUND SPRING	2
47	48600382	SHUTTLE VALVE SPRING C=0,4	2
51	48600455	PISTON RING 5X1X68	2
52	48600575	PISTON REBOUND SX 2007	2
55	40540486	NUT M6X0,5 REBOUND	2

124700130

C144710130

* NEW PART X ON DEMAND

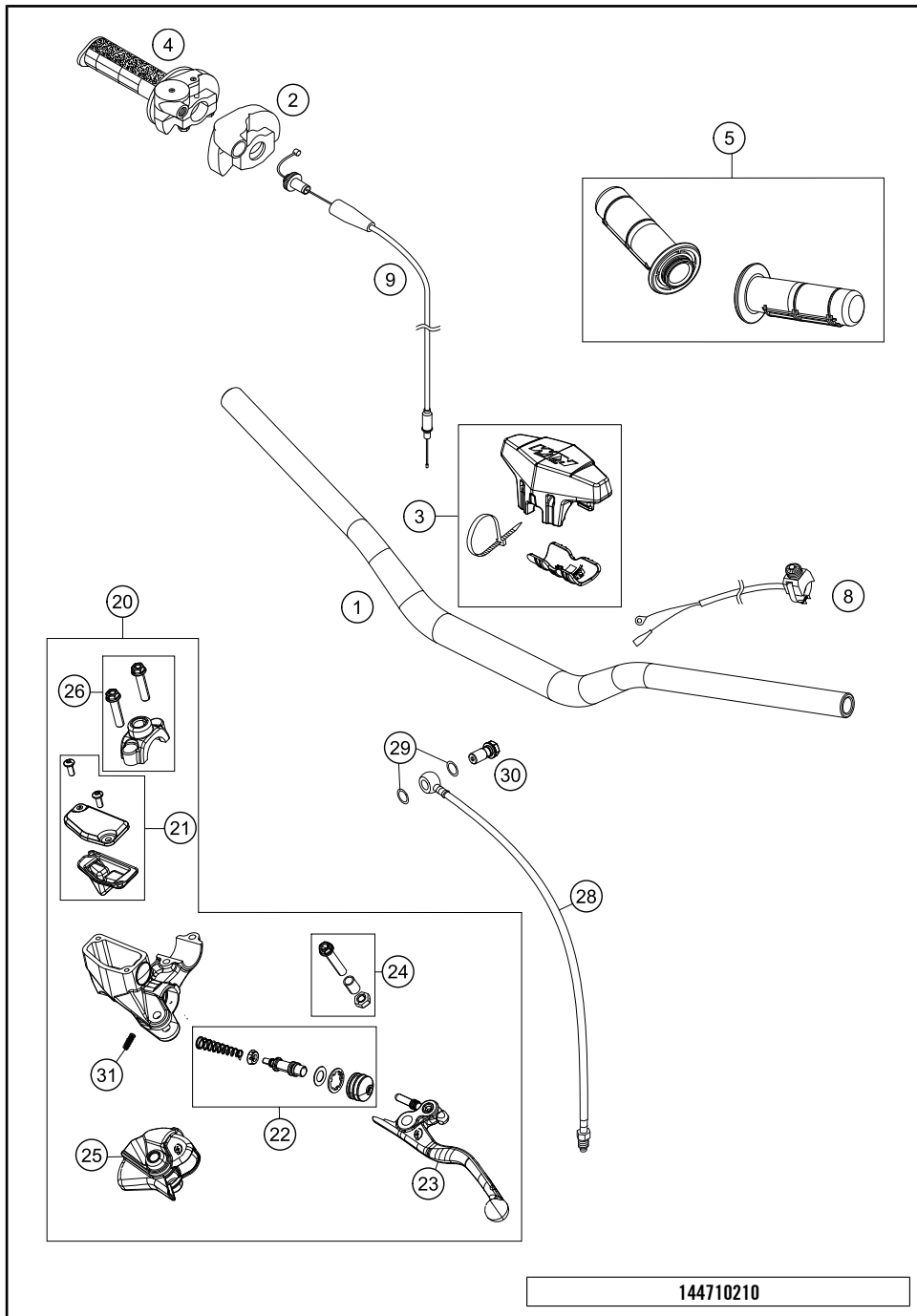


POS	PARTNUMBER	PARTNAME	PIECE
57	48600870	TUBE 23 L=330	2
58	48600764	ADAPTER SLEEVE D23/D28	2
59	43570023	O-RING NBR 41X2	2
60	43570559S1	AXLE CLAMP L/S + TUBE CPL.	1
61	43570558S1	AXLE CLAMP R/S + TUBE CPL.	1
63	48600885	NUT VALVE M6X0,5 LH=1,2	2
64	48600202	SPRING CHECK VALVE D=0,7	2
69	48600586S	TAP COMPRESSION CPL. 07	2
71	48600047	PISTON COMPRESSION D=27,9	2
72	46811499	O-RING NBR 21X2	2
73	35480320	O-RING NBR 24X2	2
76	48600049	O-RING NBR 8X2	2
81	48600004	COPPER WASHER 29,5X33,5X1	2
82	48600141	RUBBER CAP D=35MM	2
83	T511	SILICONE GREASE F. DUST STRI	1
98	48601166S1	FORK OIL SAE4 5L	1
99	R511	REPAIR-KIT	1

124700130

C144710130

* NEW PART X ON DEMAND

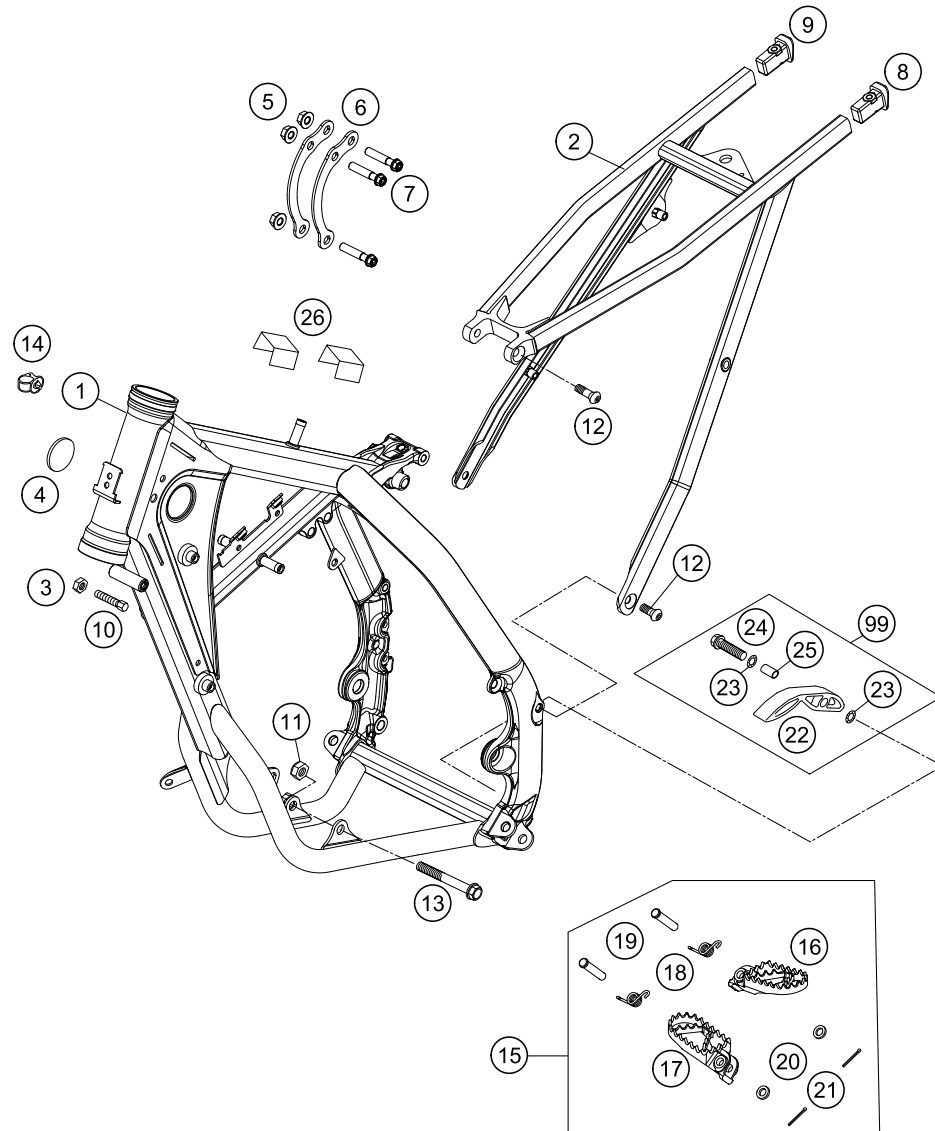


POS	PARTNUMBER	PARTNAME	PIECE
1	47102001000	HANDLEBAR 85SX 2013	1
2	50302020000	PROTECTION COVER '97	1
3	80302602044	BAR PAD CPL.	1
4	51502010200	THROTTLE GRIP CPL. 2ST. 13	1
5	80302021000	GRIP SET BLACK/WHITE	1
8	50311089200	SHORT CIRCUIT BUTTON 02	1
9	51502091100	THROTTLE CABLE 2T.DOM/KEIH. 13	1
20	72002030100	MASTER CYLINDER CPL. 10MM	1
21	72002003000	COVER F. MASTER CYLINDER CPL.	1
22	72002032000	REP. KIT PISTON 10MM	1
23	72013002000	LEVER CPL.	1
24	70002038000	LEVER SCREW CPL.	1
25	72002037000	MUDCOVER CLUTCH LEVER	1
26	72013005000	CLAMP	1
28	47132063000	CLUTCH PIPE	1
29	0770080019	O-RING 8,00X1,00 FORMULA	2
30	47013025000	HOLLOW SCREW BRAKE CYLINDER 03	1
31	72002035000	SPRING FOR CLUTCH LEVER	1

144710210

C144710211

* NEW PART X ON DEMAND



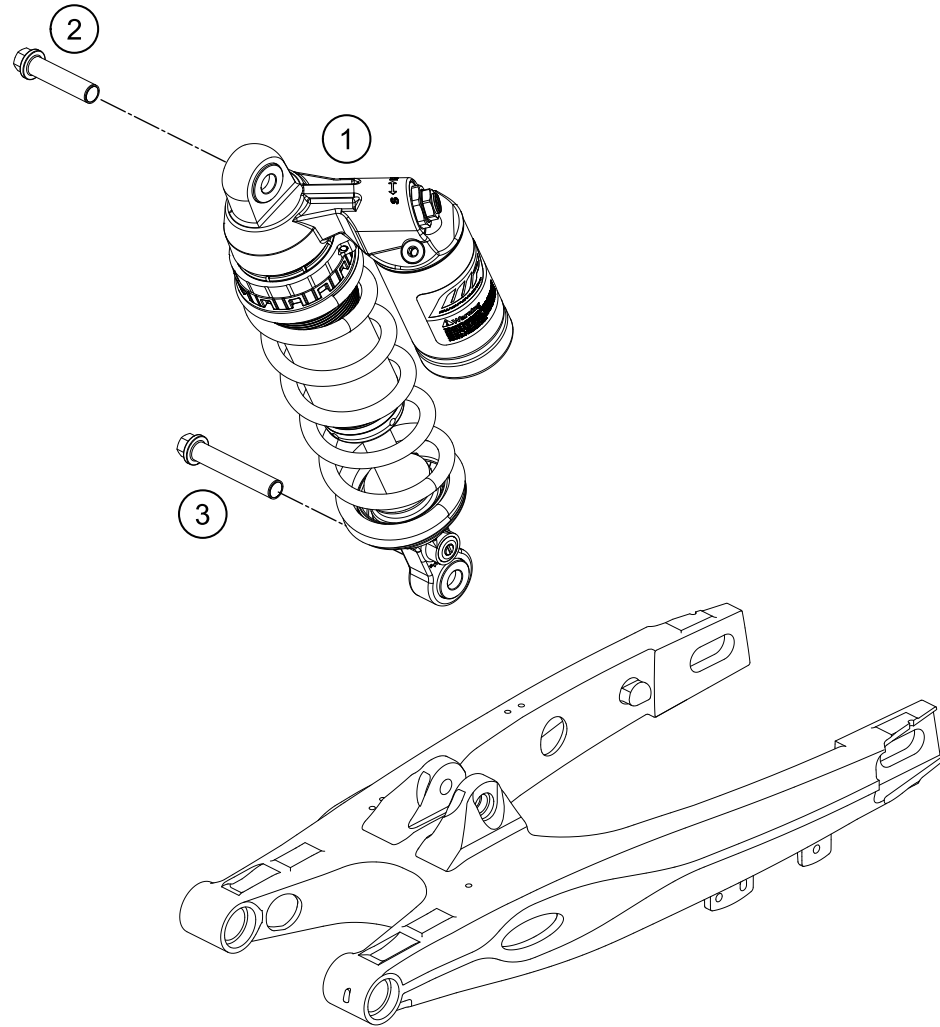
144710310

POS	PARTNUMBER	PARTNAME	PIECE
1	4710300100028	FRAME "471M3" 85 TC 2014	1
2	47103002000	SUB FRAME	1
3	0934080003	HEXAGON NUT DIN0934-M 8	2
4	54606004000	PLUG 37MM	2
5	54310086200	SELF LOCKING NUT M8 10.9	3
6	47103013100	REINFORCING	2
7	0025080356	HH COLLAR SCREW M8X35 TX40	3
8	78103002010	SUB FRAME APPLICATION LEFT	1
9	78103002020	SUB FRAME APPLICATION RIGHT	1
10	59001037000	SPECIAL SCREW M8X26 WS=10	1
11	54310086100	SELF LOCKING NUT M10 CU WS=14	2
12	0019080206S	FLAT HEAD SCREW M. ISA45 M8X20	4
13	47003013000	ENGINE BRACKET SCREW 85 SX	2
14	58111076000	CABLE SUPPORT KHS NR.150-47610	2
15	47103040033	FOOTREST CPL. 14	1
16	47103040000	FOOTREST L/S	1
17	47103041000	FOOTREST R/S	1
18	54603041000	FOOTREST SPRING L/S & R/S	2
19	54803044000	BOLT FOR FOOT PED 03	2
20	0125100003	WASHER DIN0125-A10,5	2
21	0094032253	PIN DIN0094-3,2X25 STEEL	2
22	51103053000	CHAIN SLIDING PIECE BELOW '97	1
23	36003014000	LOCK WASHER 8MM	2
24	0025080306	HH COLLAR SCREW M8X30 TX40	1
25	51103053051	BUSHING 8,2X10X20	1
26	50307012000	ADH. FOIL TRANSP. 80X80 MM 04	2
99	51103053110	CHAIN SLIDING KIT BELOW MINI	1

C144710311

* NEW PART

X ON DEMAND



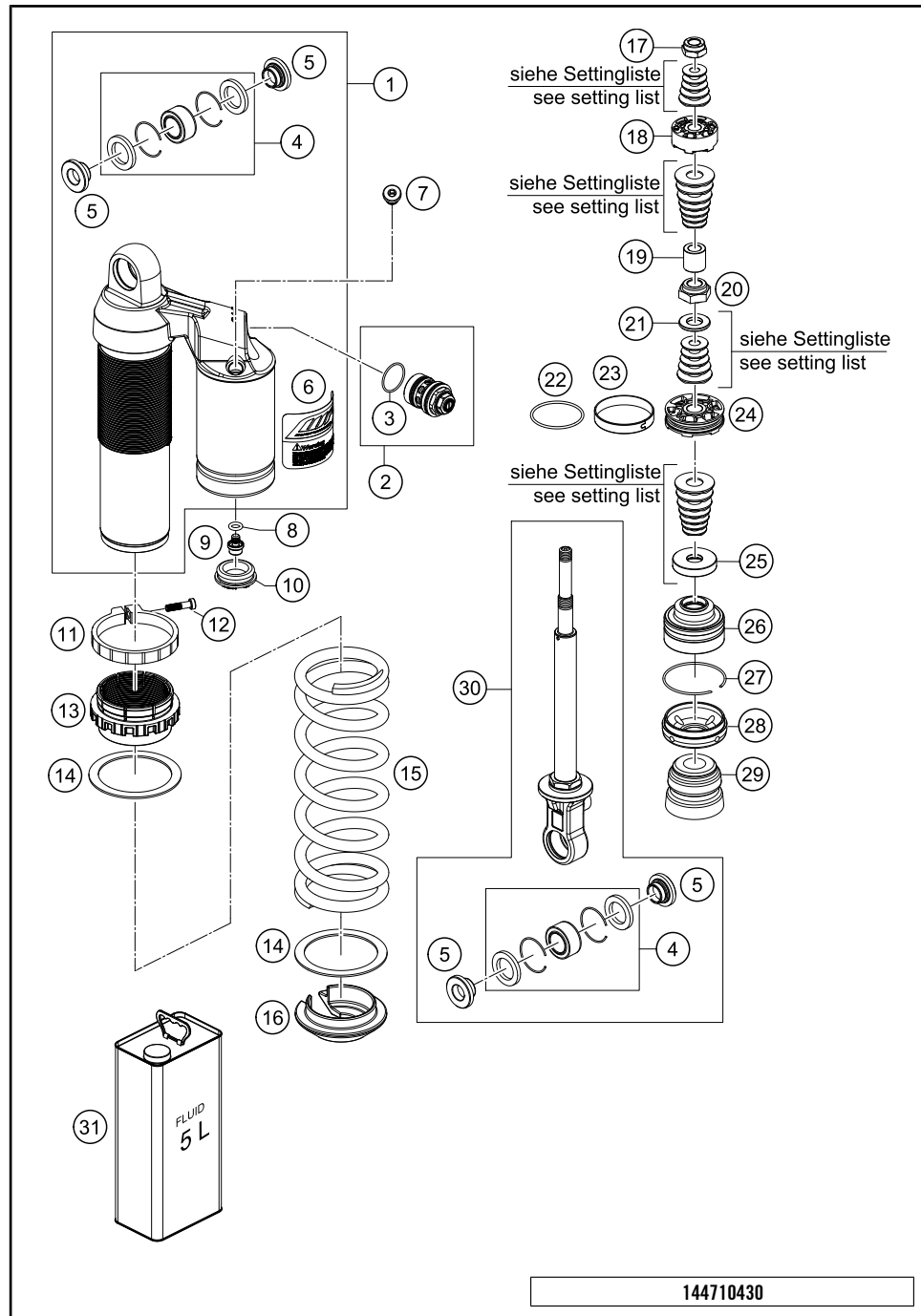
POS	PARTNUMBER	PARTNAME	PIECE
1	15157N0201	MONOSHOCK 85TC 2014	1
2	0025120506S	HH COLLAR SCREW M12X50 TX45	1
3	0015120556S	HH COLLAR M12X55 WS=13 06	1

144710410

C144710411

* NEW PART

X ON DEMAND

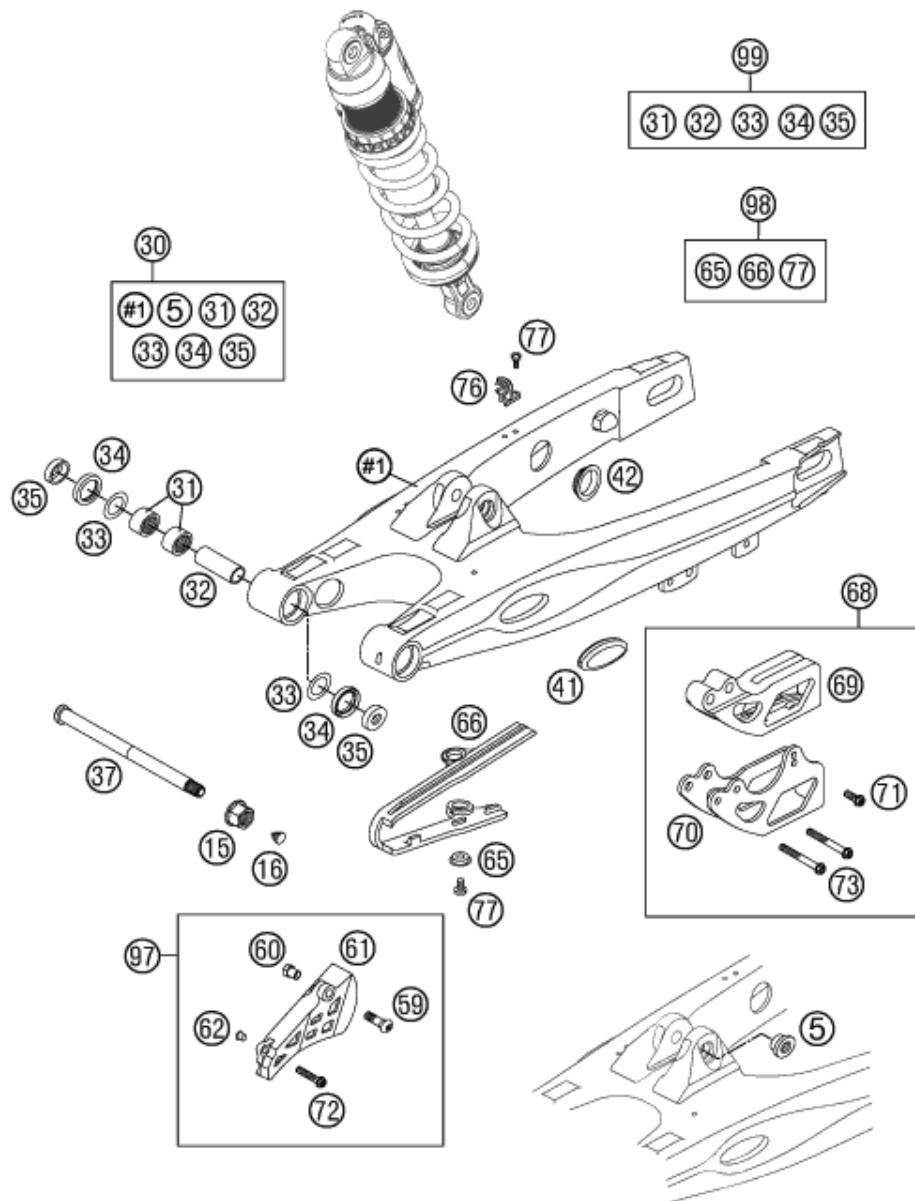


POS	PARTNUMBER	PARTNAME	PIECE
1	46181019S1	MONOSHOCK CASE CPL.	1
2	50180213S12	DCC-COMPR.DAMP.CONTROL CPL. 09	1
3	50180218	O-RING 25X1,5 VITON	1
4	R12012	REP. KIT BEAR./SEAL UP. 07	2
5	46180007	ADAPTOR BUSH KGW 12X24	4
6	52000087	STICKER WP MONOSHOCK	1
7	50180095	BLEED PLUG R 1/8	1
8	46810893	O-RING NBR 5,28X1,78	1
9	36120151	SCREW PLUG M5X6	1
10	46811208	RUBBER CAP "DO NOT OPEN"	1
11	46181014	TENSIONING RING D64 H10	1
12	14460042	%ALLENHEAD SCREW M5 L=20 STAIN	1
13	46181013	ADJUSTING NUT D46 PLASTIC	1
14	50180410	INTERM.RING D=58	2
15	91010271S	SPRING (59) 215 30 N/MM	x
15	91010240S	SPRING (59) 215 35 N/MM D=9,25	1
15	91010161S	SPRING (59) 215 40 N/MM D=9,5	x
16	46180349	SPRING WASHER H=15 D=28	1
17	46180356	PISTON ROD NUT M10X1	1
18	46180744	PISTON D35,4 PDS 2	1
19	46181025	SANDWICH BUSH 10X17X17	1
20	46810474	PISTON ROD NUT	1
21	46811258	RING 12X24X2,5	1
22	46810035	O-RING VITON 37,82X1,78	1
23	46811206	PISTON RING 8X46	1
24	46810560	PISTON 6+6D7	1
25	46180337	REBOUND DISC H=4	1
26	46180669S	ADAPTOR CPL. D=46 H=28 07	1
27	46810010	CIRCLIP 49X1,5	1
28	46180338	CAP D=46 H=9,5	1
29	50180276	BUMP RUBBER WP60 D=18-26	1
30	46180520S5	MONOSHOCK LOWER PART	1
31	50180751S1	SHOCK ABSORBER FLUID 5 LT	1

C144710430

C144710431

* NEW PART X ON DEMAND



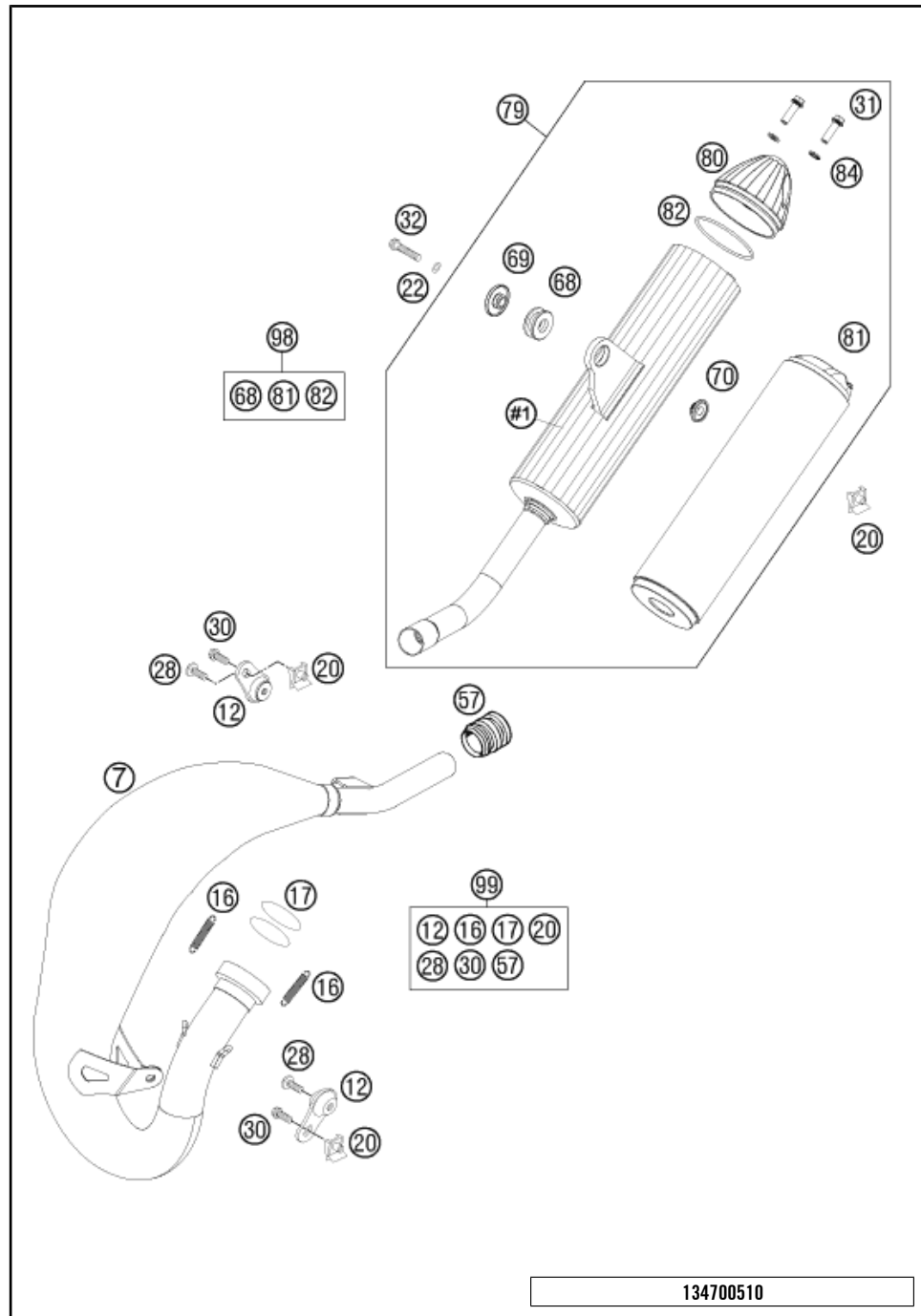
134700490

POS	PARTNUMBER	PARTNAME	PIECE
5	50180105	THREADED BUSH M12 PDS	1
15	77204087000	HEX NUT M14X1.5 SW17	1
16	54403135000	PLASTIC CAP SFL10	1
30	47004030144	SWINGARM 85SX CPL. 2004	1
31	59004031000	NEEDLE BUSH HK2012V	4
32	50203081700	BUSHING SLEEVE 15X20X38,75	2
33	59033080000	SHIM 20X32X1	4
34	0760253270	SHAFT SEAL RING 25X32X7	4
35	54603090000	BUCKET F.SHAFTSEALRING 15X25X9	4
37	47104037000	SWING ARM BOLT 85 SX	1
41	58404041000	CLOSING COVER SWINGARM SM 03	2
42	58404041100	CLOSING COVER ROUND 03	4
59	0019080206	COUNTER-SUNK SCREW ISA45 M8X20	1
60	47030060051	THREADED BUSH FOR CHAIN GUARD	1
61	47007061000	CHAIN GUARD 85 SX 2003	1
62	58314060050	SPACER BUSH. F. SPEEDOMET.BRA.	1
65	72210079000	BUCKET	2
66	58404066000	CHAIN SLIDING GUARD SM 03	1
68	54607069000	CHAIN GUIDE KIT REAR CPL.	x
69	54607066100	CHAIN GUIDE REAR '94	1
70	54607070144	RETAINING PLATE CPL.	1
71	0025060166	HH COLLAR SCREW M6X16 TX30	1
72	0025060306	HH COLLAR SCREW M6X30 TX30	1
73	0025060506	HH COLLAR SCREW M6X50 TX30	2
76	54611076100	RETAIN.CLAMP FOR BRAKE HOSE'96	2
77	0009050106	EJOT SPIRAL SCREW SF M5X10-K	4
97	47007061010	SPROCKET COVER KIT	x
98	58404066010	CHAIN GUARD KIT 105/85 SX	1
99	47004230010	SWINGARM REP. KIT 105/85 SX	1

C144710490

* NEW PART

X ON DEMAND



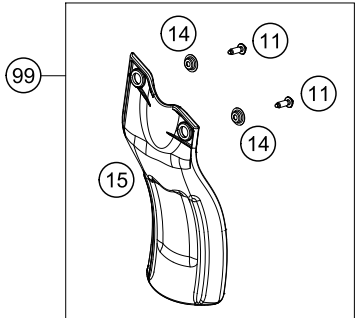
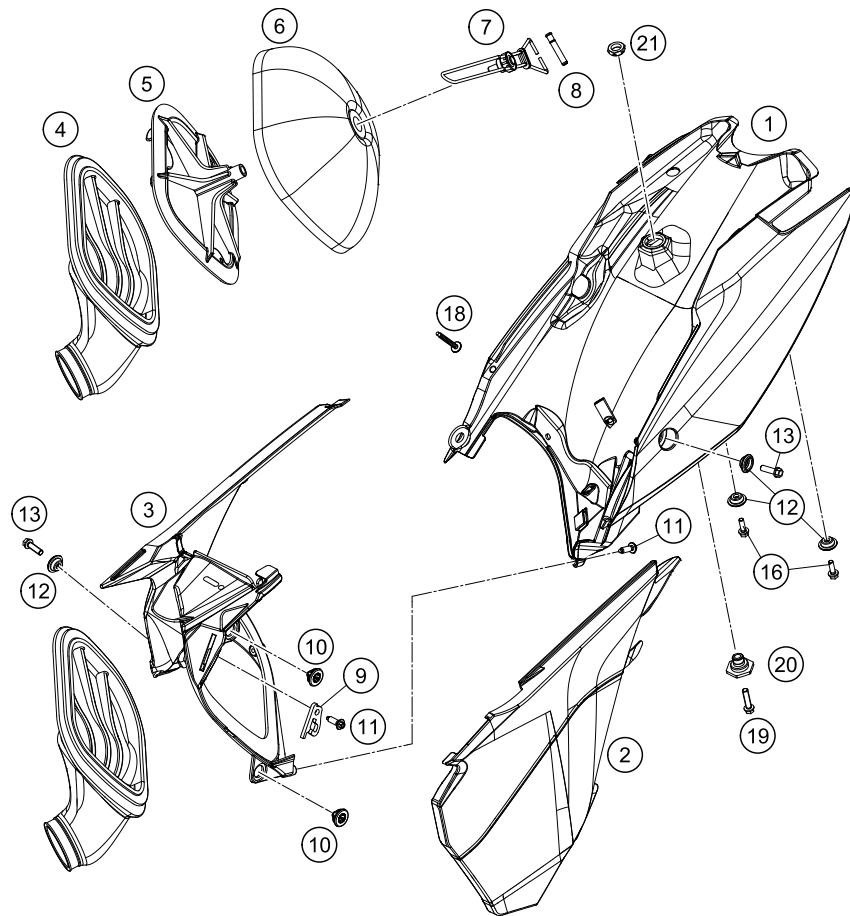
POS	PARTNUMBER	PARTNAME	PIECE
7	47005007100	EXHAUST PIPE 85 SX 07	1
12	50305012000	SWINGELEMET FOR EXHAUST PIPE	2
16	50305016000	TEN.SPRING L=62MM EY.MOVEABLE	2
17	0770380030	O-RING 38,00X3,00 VITON	2
20	54603048100	RANGE CHANGE METAL NUT M6	3
22	0137060003	SPRING WASHER DIN0137-B 6	1
28	0024060106	HH COLLAR SCREW M6X10 TX30	2
30	0025060166	HH COLLAR SCREW M6X16 TX30	2
31	0025060206	HH COLLAR SCREW M6X20 TX30	2
32	0025060306	HH COLLAR SCREW M6X30 TX30	1
57	54605057000	RUBBER SLEEVE D=21MM/23MM '93	1
68	77205068000	DAMP. COMPON. BLACK	1
69	46205169000	BUSHING 7.5X12X28X7.6	1
70	77205069000	BUSHING 7.5x12x20x8.2 11	1
79	47005079100	SILENCER 85 SX 06	1
80	50305079169	SILENCER ENDCAP SX REAR	1
81	50305079160	STUFFING YARN 160 GRAM	1
82	0770055020	O-RING 55,00X2,00 NBR70	2
84	50233041000	PAIR OF WASHERS M 6 NORDLOCK	2
98	00050000804	SILENCER REP. KIT 160 GRAM	1
99	00050000812	EXHAUST HARDWARE KIT MINI	1

134700510

C144710510

* NEW PART

X ON DEMAND



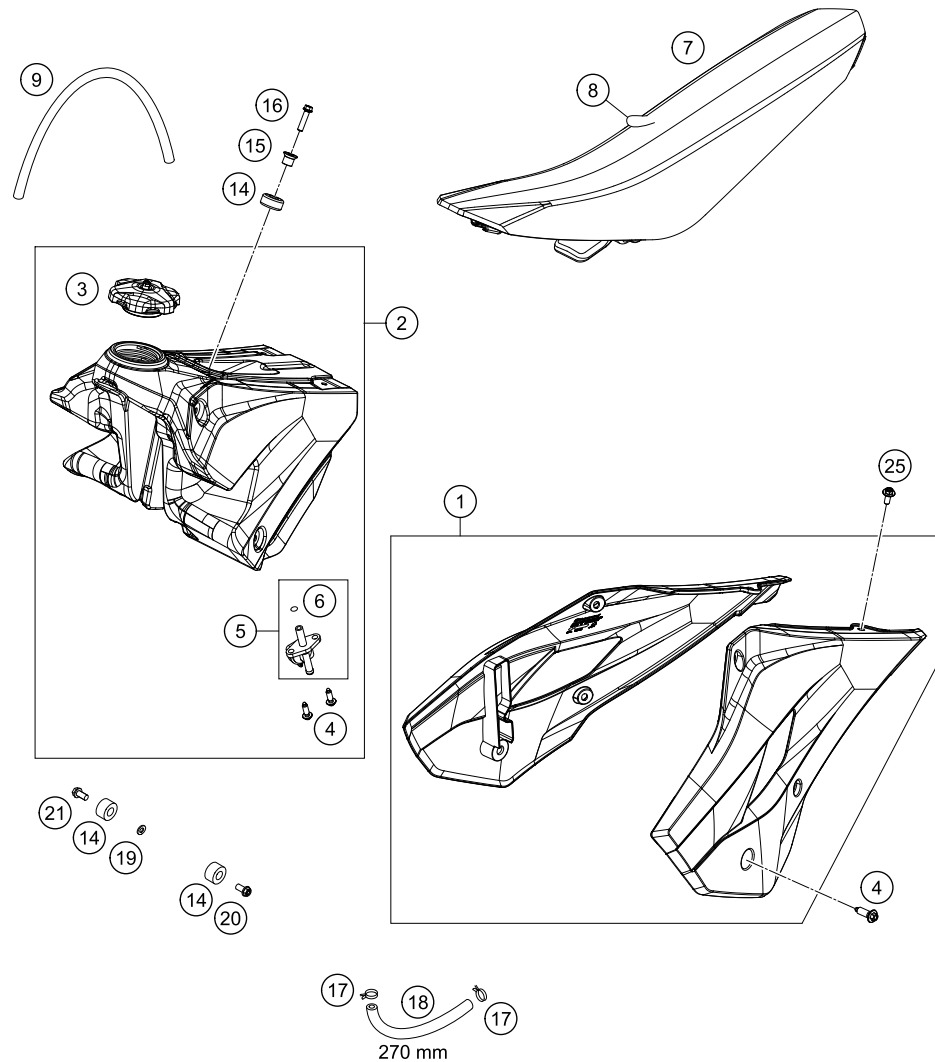
144710611

POS	PARTNUMBER	PARTNAME	PIECE
1	4710600105228	FILTER BOX PART REAR WHITE	1
2	4710600300028A	FILTER COVER WHITE 14	1
3	4710600101028	AIR BOX PART WHITE	1
4	47106026000	CARBURETOR CONNECTING	1
5	54806516000	FILTER CARRIER	1
6	77206015000	AIR FILTER	1
7	47106017000	AIR FILTER SUPPORT BRACKET CPL	1
8	77306018000	FILTER SUPPORT BUSH 07	1
9	47106019000	FASTEN. DEVICE FILTER SUPPORT	1
10	47106003160	QUICK CONNECTOR CLUTCH	2
11	0017060205	SCREW FOR PLASTIC K60X20 SW6	4
12	77308013010	COLLAR BUSH. F.REAR FENDER 07	4
13	0025060206	HH COLLAR SCREW M6X20 TX30	2
14	46104066050	BUSH FOR CHAINSLIDER GUARD 02	2
15	47106010000	SPLASH PROTECTION	1
16	0025050166	HH COLLAR SCREW M5X16 TX30	2
18	0017060405	SPECIAL SCREW T60 6X40 WS=6	1
19	0025060256	HH COLLAR SCREW M6X25 TX30	1
20	54807048000	BUSHING FOR SEAT FASTENING 03	1
21	50314057050	COLLAR NUT M12X1/WS17 H=5MM	1
99	47106010010	SPLASH PROTECTOR KIT 85 SX	x

C144710611

* NEW PART

X ON DEMAND



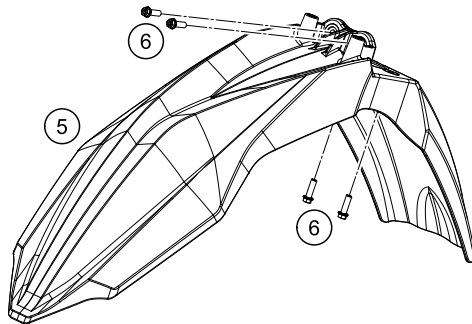
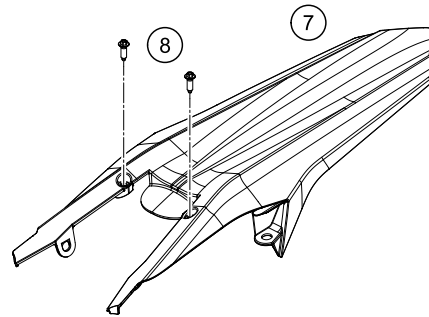
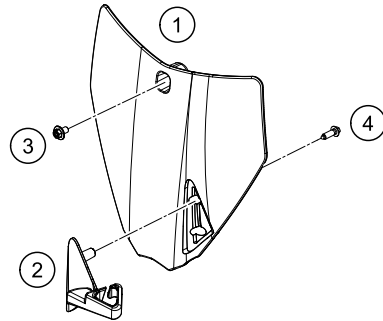
POS	PARTNUMBER	PARTNAME	PIECE
1	2350805400028A	SPOILER SET WHITE 2014	1
2	2350701304430	FUEL TANK CPL.	1
3	7770700814455	TANK PLUG CPL. 2014	1
4	0017060206	SCREW F. PLASTIC K60X20AL SW6	8
5	50307005000	GAS COCK MIKUNI ON/OFF 2001	1
6	0770130023	O-RING 13,00X2,30	1
7	23507040000	SEAT BLUE/BLACK 2014	1
8	23507040050	SEAT COVER BLUE/BLACK	1
9	78007000270	PVC-HOSE 5,6X10X270MM	1
14	50307014000	TANK ROLLER 12X26X12 '98	3
15	77307026000	TANK BUSHING 07	1
16	0024060273	COLLAR SCREW M6X27 TX	1
17	45031005000	YDNAC-CLAMP FUEL HOSE (8MM)	2
18	58307016001	FUEL HOSE VITON 6X1,5 PER/M	x
19	12011016000	WASHER 6 X 12 X 3	1
20	0026060136	COLLAR SCREW M6X13 ISA30	1
21	0025060166	HH COLLAR SCREW M6X16 TX30	1
25	0024060106	HH COLLAR SCREW M6X10 TX30	2

144710710

C144710711

* NEW PART

X ON DEMAND



POS	PARTNUMBER	PARTNAME	PIECE
1*	2350800710028		1
2*	2350802210030		1
3	0024060106	HH COLLAR SCREW M6X10 TX30	1
4	0017060206	SCREW F. PLASTIC K60X20AL SW6	1
5	2350801000028	FRONT FENDER WHITE	1
6	0025060166	HH COLLAR SCREW M6X16 TX30	4
7	4710801300028A	REAR PART WHITE 85TC 2014	1
8	0017060205	SCREW FOR PLASTIC K60X20 SW6	2

144710810

C144710811

* NEW PART

X ON DEMAND

POS	PARTNUMBER	PARTNAME	PIECE
1	23508099000	DECAL KIT 85 TC 2014	1

1

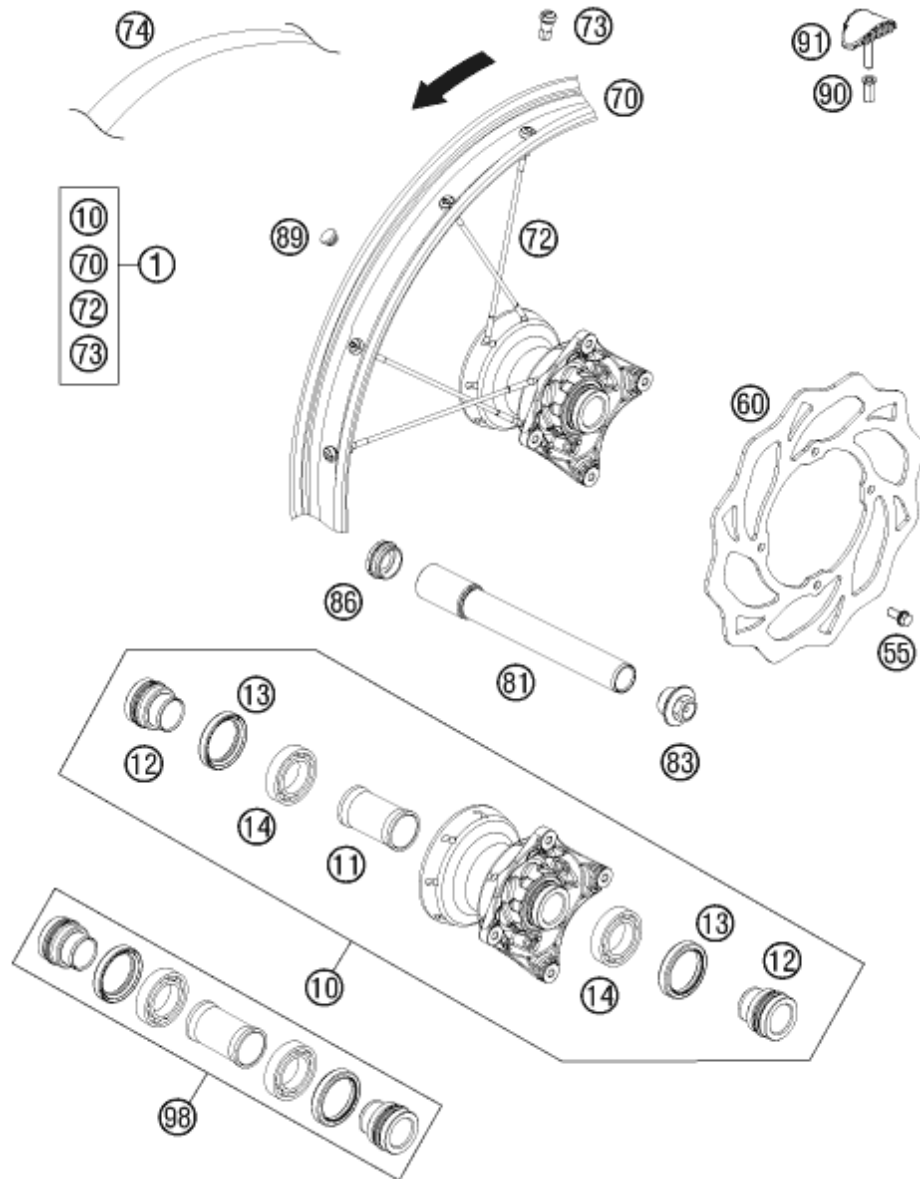


144710830

C144710830

* NEW PART

X ON DEMAND



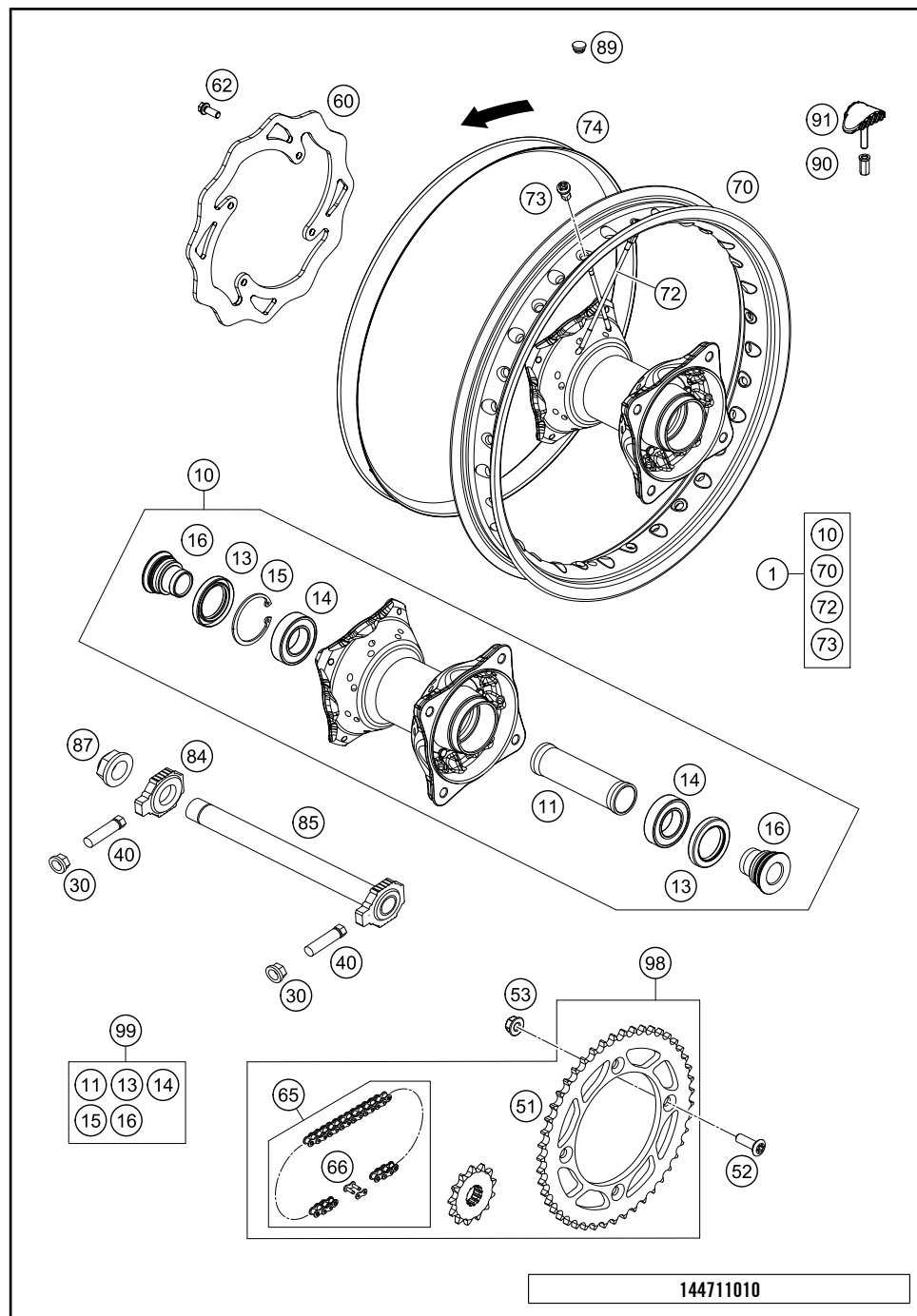
POS	PARTNUMBER	PARTNAME	PIECE
1	2350900114430	FRONT WHEEL CPL. 14	1
10	70009010044	FRONT WHEEL HUB CPL. 12	1
11	70009011000	BEAR.SPACER TUBE FRONT D22MM	1
12	70009012000	SPACER BUSHING D=22MM	2
13	0760324271	SHAFT SEAL RING 32X42X7 BSL	2
14	0625069050	BALL BEARING 6905 J1LLUC3	2
55	59009062013	SPECIAL SCREW M6X13 WS=8 10.9	4
60	70009060000	BRAKE DISC FRONT	1
70	2350907010030	FRONT RIM AL4 19X1,60-32	1
72	47109071206	SPOKE M4,5X206-19"	32
73	77109072000	SPOKE NIPPLE M4,5 AL 11	32
74	47009073100	RIM BAND 85 SX 19" 2003	1
81	70009081000	AXLE FRONT D=22 '12	1
83	70009082000	AXLESCREW M20X1.5; SW17	1
86	70009081050	PLUG BUSHING SW17 '12	1
89	55003135000	PLUG FOR RIM	x
90	77110090050	NUT FOR WHEEL HOLDER	1
91	45110090000	RIM LOCK CPL. 2004	1
98	70009015000	FRONT WHEEL REP. KIT	x

134700910

C144710913

* NEW PART

X ON DEMAND

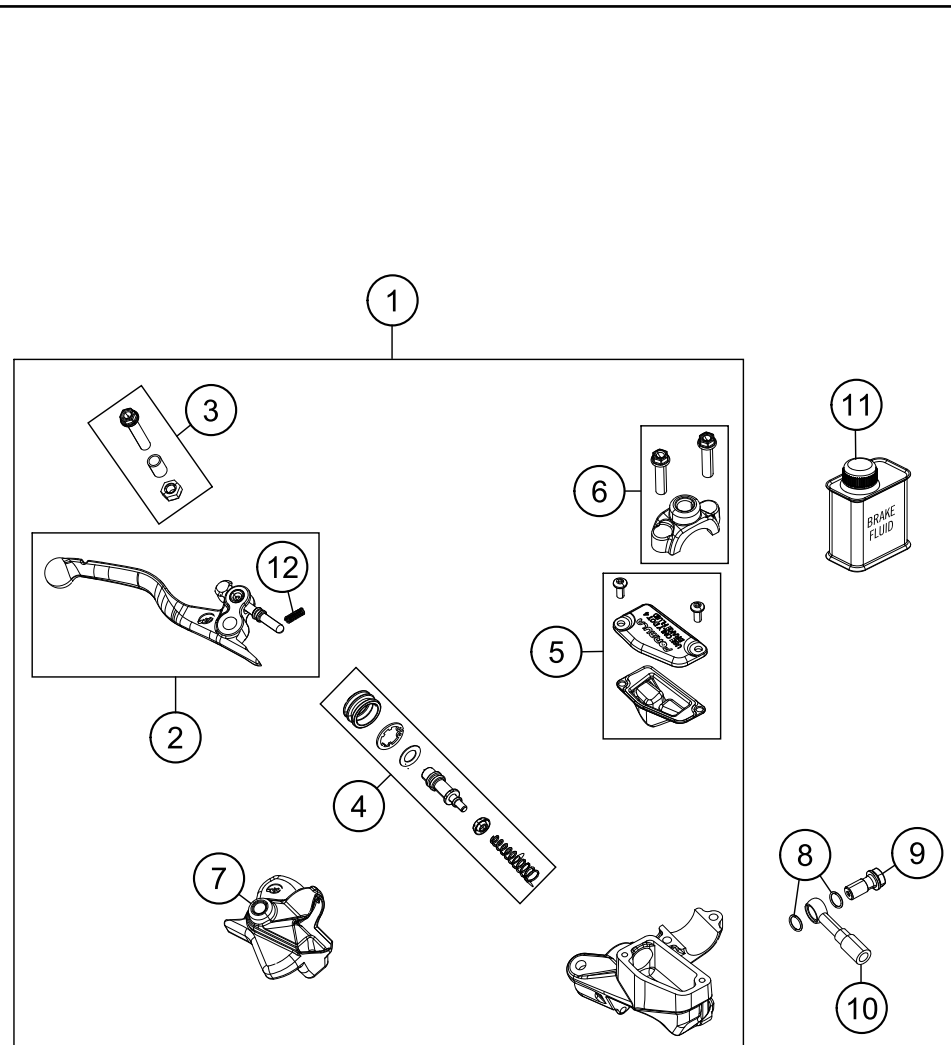


POS	PARTNUMBER	PARTNAME	PIECE
1	2351000114430	REAR WHEEL CPL. 14	1
10	70010010044	REAR WHEEL HUB CPL. 12	1
11	70010011000	BEAR.SPACER TUBE '12	1
13	0760324771	SHAFT SEAL RING 32X47X7 BSL	2
14	0625060058	GR.BALL BEAR.6005 DDU2CG23S6NM	2
15	0472047175	CIRCLIP DIN0472-47X1,75	1
16	78010016000	BUSHING FOR HUB 08	2
30	58414030000	HH COLLAR NUT M10X1,25 WS=13	2
40	50304040100	SCREW M10X1,25X50 WS=10	2
51	47010051044	REAR SPROCKET 44-T 85 SX 03	x
51	47010051045	REAR SPROCKET 45-T 85 SX 03	x
51	47010051046	REAR SPROCKET 46-T 85 SX 03	x
51	47010051047	REAR SPROCKET 47-T 85 SX 03	x
51	47010051048	REAR SPROCKET 48-T 85 SX 03	x
51	47010051049	REAR SPROCKET 49-T 85 SX 03	1
51	47010051050	REAR SPROCKET 50-T 85 SX 03	x
51	47010051051	REAR SPROCKET 51-T 85 SX 06	x
52	0019080266S	COUNTER-SUNK SCREW ISA45 M8X26	4
53	06923080003	HEXAGON NUT DIN EN1661 M8 SW13	4
60	47010060500	REAR BRAKE DISC	1
62	59009062016	SPECIAL SCREW M6X16 WS=8 10.9	4
65	47010165124	CHAIN 124 ROLLS 85 SX	1
66	47010166000	CONNECTING LINK 85 SX	1
70	2351007010030	REAR RIM AL4 16X1,85-32	1
72	47110071168	SPOKE M4,5X168-16"	32
73	77109072000	SPOKE NIPPLE M4,5 AL 11	32
74	47010073200	RIM BAND 85 SX 16" 2003	1
84	50310084000	CHAIN TENSIONER R/S 2000	1
85	47010085044	AXLE REAR CPL. 85 SX 2003	1
87	50310099000	HEXAGON NUT M20X1,5 '98	1
89	55003135000	PLUG FOR RIM	x
90	77110090050	NUT FOR WHEEL HOLDER	1
91	70010090000	RIM LOCK 1,85"	1
98	00050002003	DRIVETRAIN KIT 105 SX 14T/49T	1
99	70010015000	REAR WHEEL REP. KIT	x

144711010

C144711013

* NEW PART X ON DEMAND

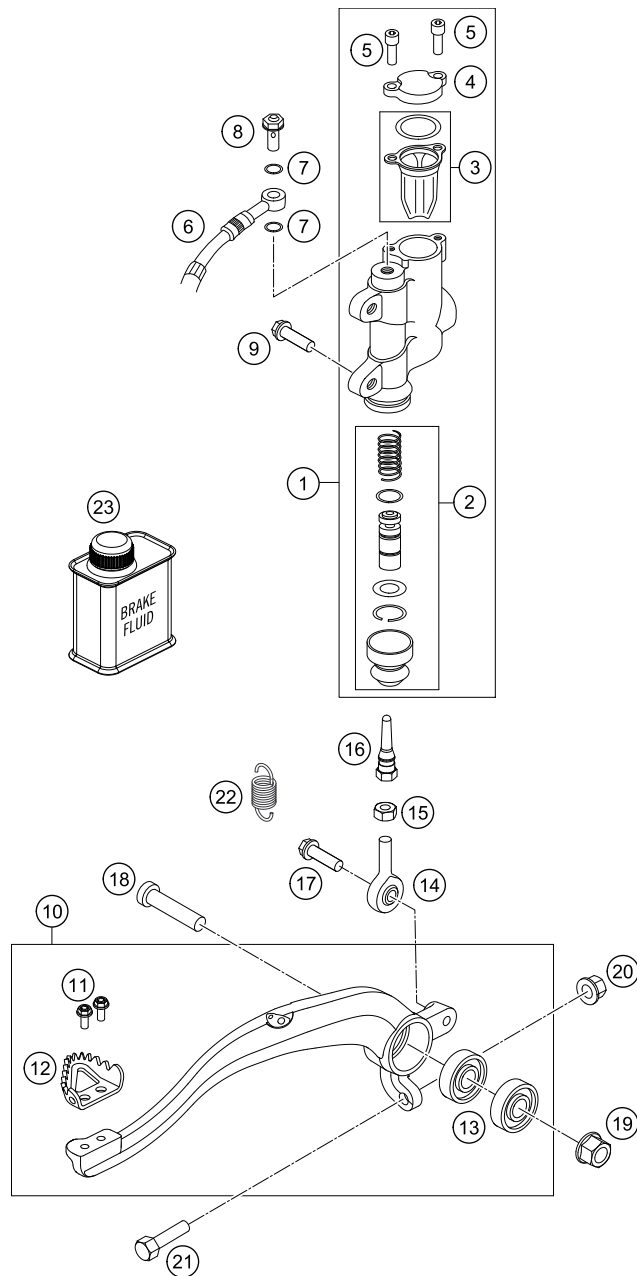


POS	PARTNUMBER	PARTNAME	PIECE
1	47113001100	HAND BRAKE CYLINDER CPL. 10 MM	1
2	72013002000	LEVER CPL.	1
3	70002038000	LEVER SCREW CPL.	1
4	72002032000	REP. KIT PISTON 10MM	1
5	70013003000	COVER HAND BRAKE CYLINDER CPL.	1
6	72013005000	CLAMP	1
7	70013004000	MUDCOVER HANDBRAKE LEVER	1
8	0770080019	O-RING 8,00X1,00 FORMULA	2
9	47013025000	HOLLOW SCREW BRAKE CYLINDER 03	1
10	70013010100	BRAKE HOSE FRONT 1065MM	1
11	00062030000	BRAKE FLUID DOT5.1 0,25L	1
12	72002035000	SPRING FOR CLUTCH LEVER	1

144711310

C144711311

* NEW PART X ON DEMAND



POS	PARTNUMBER	PARTNAME	PIECE
1	47013060300	FOOT BRAKE CYL.R. CPL. D=12 05	1
2	47013061100	REP. SET PISTON REAR D=12 2004	1
3	47013063000	GASKET CYLINDER COVER REAR 03	1
4	47013062000	CYLINDER COVER REAR 85 SX 03	1
5	0912040103	AH.SCREW DIN0912-M 4X10	2
6	47013070000	BRAKE HOSE REAR 85 SX 03	1
7	0770080019	O-RING 8,00X1,00 FORMULA	2
8	47013025000	HOLLOW SCREW BRAKE CYLINDER 03	1
9	0025060126	HH COLLAR SCREW M6X12 TX30	2
10	47013050044	FOOT BRAKE LEVER CPL. 85 SX 03	1
11	0025050126	HH COLLAR SCREW M5X12 TX30	2
12	54813051000	STEP PLATE FOR BRAKE LEVER	1
13	0625060002	BALL BEARING SKF 6000-2RS1	2
14	54813055000	SWIVEL HEAD KA6 03	1
15	0934060003	HEXAGON NUT DIN0934-M 6	1
16	47013056100	PRESSURE ROD 85 SX 06	1
17	0025060206	HH COLLAR SCREW M6X20 TX30	1
18	0032100406S	AH-COLLAR SCREW M10X40 ISA45	1
19	54630044000	COLLAR NUT M10 WS=13	1
20	46030045000	COLLAR NUT M8 WS=10	1
21	59001037000	SPECIAL SCREW M8X26 WS=10	1
22	54603062000	RETURN SPRING FOR BRAKE LEVER	1
23	00062030000	BRAKE FLUID DOT5.1 0,25L	1

144711330

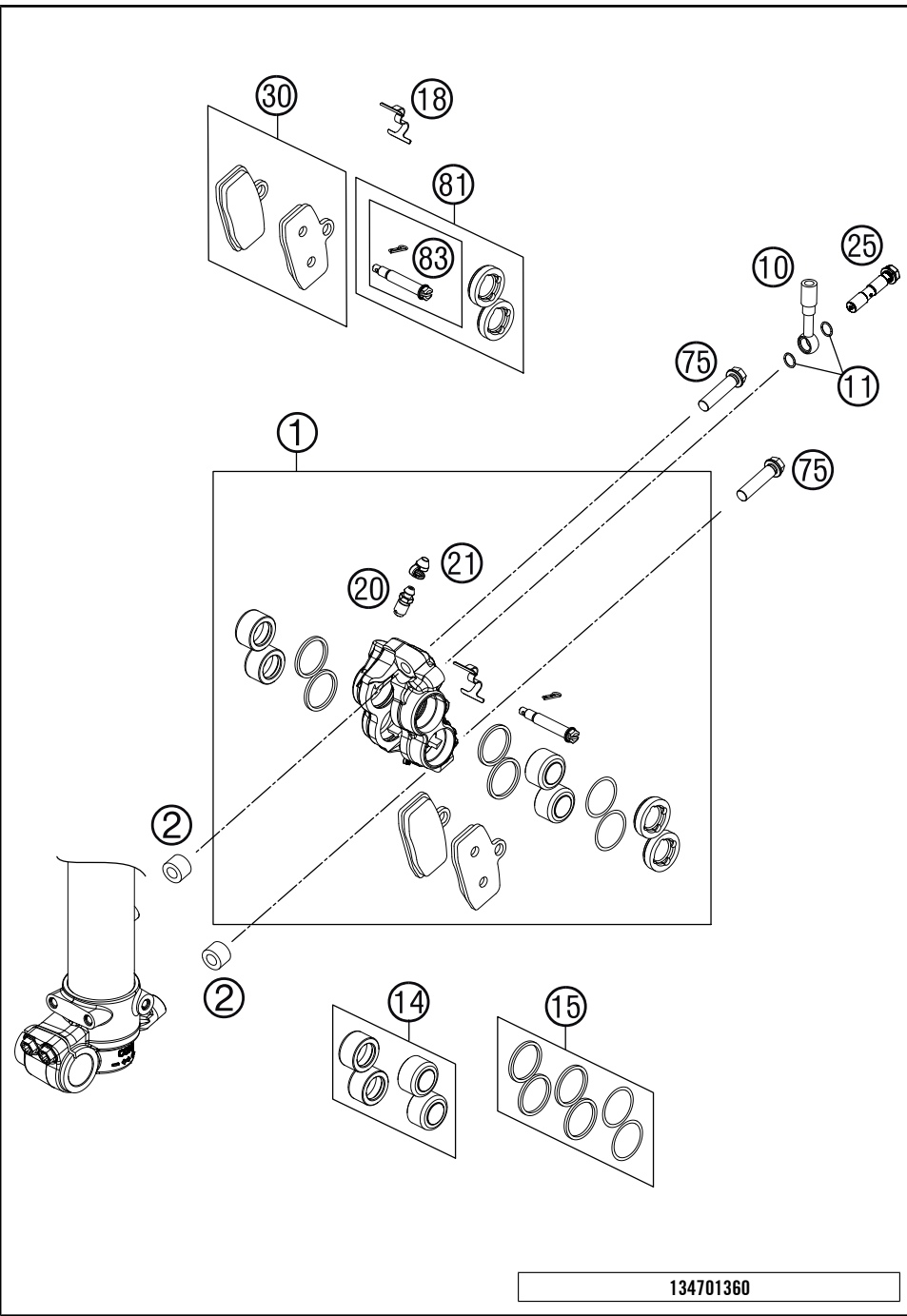
C144711330

* NEW PART

X ON DEMAND

BRAKE CALIPER FRONT

TC 85 19/16 2014

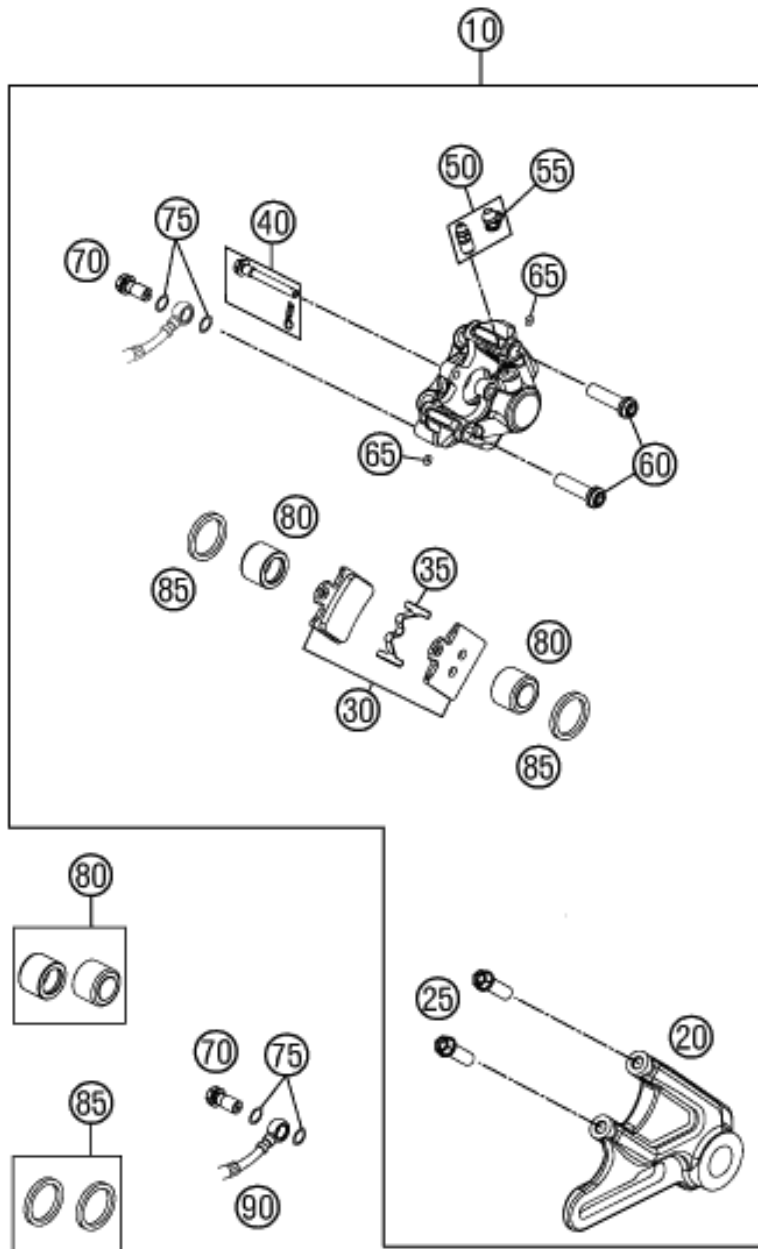


POS	PARTNUMBER	PARTNAME	PIECE
1	47013015100	BRAKE CALIPER FRONT	1
2	70013098050	SPACER SLEEVE F. BRAKE FRONT	2
10	70013010100	BRAKE HOSE FRONT 1065MM	1
11	0770080019	O-RING 8,00X1,00 FORMULA	2
14	47013019000	REPAIR KIT BRAKEPISTON	1
15	47013022000	REP. KIT SEALS	1
18	47013018100	RETAINING SPRING FRONT 85SX	1
20	47013020000	BLEEDER SCREW M6	1
21	47013021000	CAP FOR BLEEDER SCREW	1
25	47013025000	HOLLOW SCREW BRAKE CYLINDER 03	1
30	47013030000	BRAKE PAD SET FRONT 2012	1
75	0025080356	HH COLLAR SCREW M8X35 TX40	2
81	47013023000	PISTONCOVER 85SX 2012	1
83	47013030050	PIN BRAKE PAD CPL. 2012	1

134701360

C144711360

* NEW PART X ON DEMAND



POS	PARTNUMBER	PARTNAME	PIECE
10	47013080300	BREAK CALIPER REAR CPL. 2011	1
20	47013075000	BRAKE CALIPER SUPPORT CPL.	1
25	0025080256	HH COLLAR SCREW M8X25 TX40	2
30	47013090300	BRAKE PADS REAR 85 SX 2011	1
35	47013018000	RETAINING SPRING 85 SX 2011	1
40	47013092000	SPECIAL SCREW WITH SPLINT PIN	1
50	47013085000	BLEEDER SCREW M8X1	1
55	47013021000	CAP FOR BLEEDER SCREW	1
60	47013084000	SPECIAL SCREW CALIPER M8X30	2
65	07700257178	O-RING 2,57X1,78	2
70	47013025000	HOLLOW SCREW BRAKE CYLINDER 03	1
75	0770080019	O-RING 8,00X1,00 FORMULA	2
80	47013083200	REPAIR KIT BRAKEPISTON 2011	1
85	47013081100	REP. KIT SEAL. RINGS REAR 2011	2
90	47013070000	BRAKE HOSE REAR 85 SX 03	1

124701390

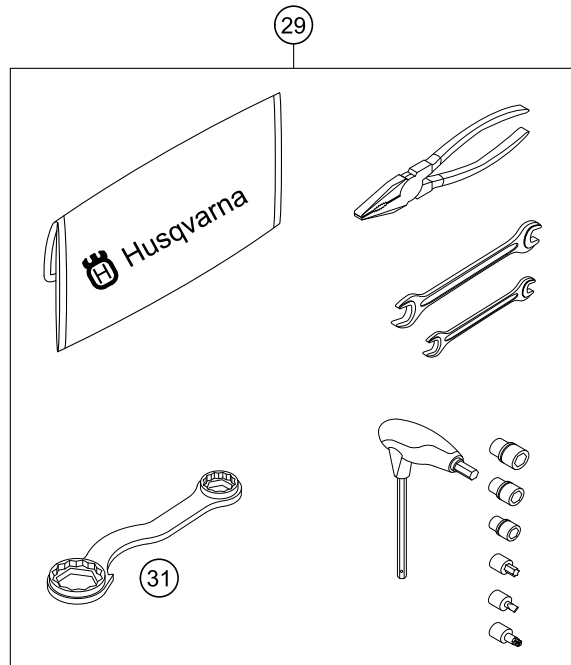
C124701390

* NEW PART

X ON DEMAND

0
OHNE ABBILDUNG
WITHOUT ILLUSTRATION

1
TECHNISCHE DOKUMENTATION
TECHNICAL DOCUMENTATION
DOCUMENTACION TECNICA
DOCUMENTATION TECHNIQUE
NOTE TECNICHE



POS	PARTNUMBER	PARTNAME	PIECE
0	0025060166	HH COLLAR SCREW M6X16 TX30	4
0	80312002000	DOCUMENTS BAG HUSQVARNA	1
0	HQV0109	HUSQVARNA NOTE-PAD	1
0	HQV0110	HUSQVARNA BALLPOINT PEN	1
0	HQV0003GB	HUSQVARNA MR POSTER 2014	1
0	HQV0004DE/GB	HUSKY POWER&STYLE FOLDER 2014	1
0	322000	SAFETY BROCHURES SPORTMINICYC.	1
0	00063004202	PRINT LABEL 60X51 MM	1
0	2350801003328A	FRONT FENDER 85TC	1
0	00062030019	AIR FILTER OIL 100ML	1
0	80302602044	BAR PAD CPL.	1
0	47003020000	PLUG IN STAND SX 85 2003	1
1	3402000EN	OWNERS MANUAL 85 TC 2014	1
29	80329899000	TOOL KIT	1
31	50329080100	WRENCH SW=17/21/27/32 B&F	1

148132000

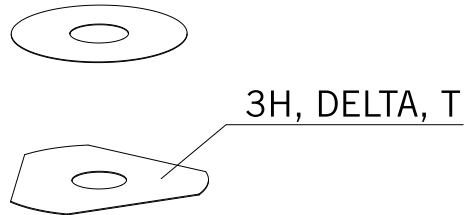
C144712001

* NEW PART

X ON DEMAND



- ⑤ Ø 5 mm
- ⑥ Ø 6 mm
- ⑧ Ø 8 mm
- ⑩ Ø 10 mm
- ⑫ Ø 12 mm
- ⑭ Ø 14-14,5 mm
- ⑯ Ø 16 mm
- ⑳ Ø 20 mm
- ㉑ Ø 21 mm
- ㉒ Ø 22 mm
- ㉓ Ø 23 mm
- ㉔ Ø 24,5 mm
- ㉘ Ø 28,5 mm
- ㉚ Ø 32 mm
- ㉜ Ø 52 mm



POS	PARTNUMBER	PARTNAME	PIECE
5	44906890	WASHER 5X15X2	X
6	40540400	SHIM 6X12X0,1	X
6	40540401	SHIM 6X14X0,1	X
6	40540402	SHIM 6X16X0,1	X
6	40540403	SHIM 6X18X0,1	X
6	40540404	SHIM 6X12X0,15	X
6	40540405	SHIM 6X14X0,15	X
6	40540406	SHIM 6X16X0,15	X
6	40540407	SHIM 6X18X0,15	X
6	40540408	SHIM 6X12X0,2	X
6	40540409	SHIM 6X14X0,2	X
6	40540410	SHIM 6X16X0,2	X
6	40540411	SHIM 6X18X0,2	X
6	48600095	* SHIM 6X20X0,20	X
6	40540412	SHIM 6X12X0,25	X
6	40540413	SHIM 6X14X0,25	X
6	40540414	SHIM 6X16X0,25	X
6	40540415	SHIM 6X18X0,25	X
6	40540417	SHIM 6X8,5X0,10	X
6	40540418	SHIM 6X9X0,10	X
6	40540419	SHIM 6X9,5X0,10	X
6	40540423	SHIM 6X9,5X0,15	X
6	40540425	SHIM 6X8,5X0,20	X
6	40540426	SHIM 6X9X0,20	X
6	40540427	SHIM 6X9,5X0,20	X
6	40540447	SHIM 6X10X0,3	X
6	40540449	SHIM 6X9X0,3	X
6	40540450	SHIM 6X9,5X0,3	X
6	40540494	SHIM 6X18X0,4	X
6	40540774	SHIM 6X18X0,1 DELTA	X
6	40541383	SHIM 6X11X0,1	X
6	40541391	SHIM 6X11X0,3	X
6	40541402	SHIM 6X11X0,2	X
6	40541403	SHIM 6X10X0,20	X
6	40541404	SHIM 6X10X0,1	X
6	40541405	SHIM 6X10X0,15	X
6	40541406	SHIM 6X11X0,15	X
6	40541408	SHIM 6X8,0X0,30	X

080000190

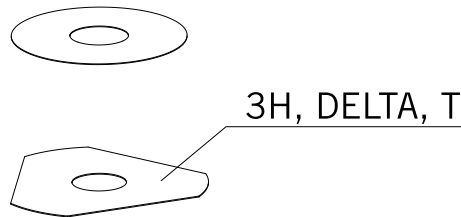
C130009090

* NEW PART

X ON DEMAND



- ⑤ Ø 5 mm
- ⑥ Ø 6 mm
- ⑧ Ø 8 mm
- ⑩ Ø 10 mm
- ⑫ Ø 12 mm
- ⑭ Ø 14-14,5 mm
- ⑯ Ø 16 mm
- ⑳ Ø 20 mm
- ㉑ Ø 21 mm
- ㉒ Ø 22 mm
- ㉓ Ø 23 mm
- ㉔ Ø 24,5 mm
- ㉘ Ø 28,5 mm
- ㉚ Ø 32 mm
- ㉜ Ø 52 mm



POS	PARTNUMBER	PARTNAME	PIECE
6	40541414	SHIM 6X8,0X0,10	X
6	40541416	SHIM 6X8X0,3	X
6	40541417	SHIM 6X11X0,25	X
6	48600102	* SHIM 6X24X0,25	X
6	48600063	SHIM 6X24X0,1	X
6	48600064	SHIM 6X22X0,1	X
6	48600065	SHIM 6X20X0,1	X
6	48600069	SHIM 6X20X0,15	X
6	48600100	SHIM 6X24X0,15	X
6	48600116	SHIM 6X24X0,1 DELTA	X
6	48600139	SHIM 6X22X0,1 DELTA	X
6	48600217	BACKPLATE 6X10X0,25	X
6	48600325	SHIM 6X13X0,1	X
6	48600327	SHIM 6X15X0,1	X
6	48600329	SHIM 6X17X0,1	X
6	48600331	SHIM 6X19X0,1	X
6	48600096	* SHIM 6X20X0,25	X
6	48600097	SHIM 6X22X0,15	X
6	48600099	* SHIM 6X22X0,25	X
6	40540448	BACKPLATE 6X8,5X0,30	X
6	48600479	SHIM 6X20X0,1 T/3H	X
6	48600332	SHIM 6X21X0,1	X
6	48600333	SHIM 6X23X0,1	X
6	40541393	* SHIM 6X12X0,3	X
6	48600330	SHIM 6X17X0,15	X
6	48600988	SHIM 6X28X0,10	X
6	48600989	SHIM 6X26X0,10	X
6	48601091	SHIM 6X28X0,15	X
6	48601093	SHIM 6X26X0,15	X
8	40540477	SHIM 8X18X0,4	X
8	43570120	SHIM 8X18X0,10	X
8	44916098	WASHER 8,4X16X0,8	X
8	44916130	WASHER 8,2X15X1	X
8	44916180	WASHER 8,2X11X1	X
8	48600214	SHIM 8X16X0,1	X
8	48600346	SHIM 8X11X0,2	X
8	48600215	CHECK VALVE 8X20X0,1	X
8	48600061	CHECK VALVE 8X24X0,4	X

080000190

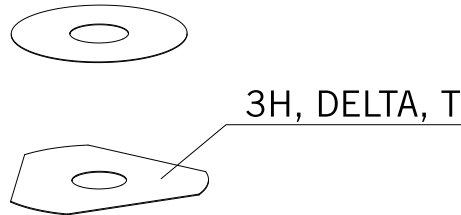
C130009090

* NEW PART

X ON DEMAND



- ⑤ Ø 5 mm
- ⑥ Ø 6 mm
- ⑧ Ø 8 mm
- ⑩ Ø 10 mm
- ⑫ Ø 12 mm
- ⑭ Ø 14-14,5 mm
- ⑯ Ø 16 mm
- ⑳ Ø 20 mm
- ㉑ Ø 21 mm
- ㉒ Ø 22 mm
- ㉓ Ø 23 mm
- ㉔ Ø 24,5 mm
- ㉘ Ø 28,5 mm
- ㉚ Ø 32 mm
- ㉜ Ø 52 mm



POS	PARTNUMBER	PARTNAME	PIECE
8	4860062	CHECK VALVE 8X24X0,1	X
8	48600216	CHECK VALVE 8X22X0,1	X
8	48600480	SHIM 8X10X0,20	X
8	48600555	SHIM 8X16X0,20	X
8	48600213	SHIM 8X14X0,10	X
8	48600357	CHECK VALVE 8X11X0,1	X
8	48600351	CHECK VALVE 8X12X0,1	X
8	48600607	SHUTTLE VALVE 8X20X0,4	X
8	48601095	SHIM 8X17X0,10	X
8	48600218	BACKPLATE 8X11X0,40	X
10	36120284	SHIM 10X16X0,10	X
10	36120298	SHIM 10X16X0,2	X
10	36120312	SHIM 10X16X0,30	X
10	36120314	SHIM 10X18X0,30	X
10	36120325	SHIM 10X19X0,15	X
10	36120327	SHIM 10X23X0,15	X
10	36120328	SHIM 10X25X0,15	X
10	36120329	SHIM 10X27X0,15	X
10	36120330	SHIM 10X29X0,15	X
10	36120331	SHIM 10X31X0,15	X
10	36120332	SHIM 10X33X0,15	X
10	36120334	SHIM 10X21X0,20	X
10	36120335	SHIM 10X23X0,20	X
10	36120336	SHIM 10X25X0,20	X
10	36120337	SHIM 10X27X0,20	X
10	36120338	SHIM 10X29X0,20	X
10	36120339	SHIM 10X31X0,20	X
10	36120340	SHIM 10X33X0,20	X
10	36120342	SHIM 10X21X0,25	X
10	36120343	SHIM 10X23X0,25	X
10	36120344	SHIM 10X25X0,25	X
10	36120345	SHIM 10X27X0,25	X
10	36120349	SHIM 10X19X0,30	X
10	36120350	SHIM 10X21X0,30	X
10	40140275	WASHER 10X35X0,15	X
10	36120346	* SHIM 10X29X0,25	X
10	50180010	* SHIM 16X24X0,10	X
10	36120604	SHIM D10XD22X2,5	X

080000190

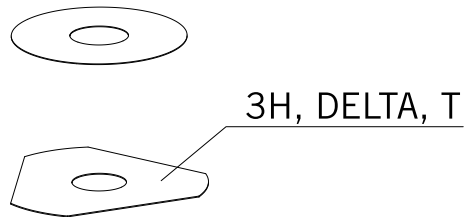
C130009090

* NEW PART

X ON DEMAND



- ⑤ Ø 5 mm
- ⑥ Ø 6 mm
- ⑧ Ø 8 mm
- ⑩ Ø 10 mm
- ⑫ Ø 12 mm
- ⑭ Ø 14-14,5 mm
- ⑯ Ø 16 mm
- ⑳ Ø 20 mm
- ㉑ Ø 21 mm
- ㉒ Ø 22 mm
- ㉓ Ø 23 mm
- ㉔ Ø 24,5 mm
- ㉘ Ø 28,5 mm
- ㉚ Ø 32 mm
- ㉜ Ø 52 mm



POS	PARTNUMBER	PARTNAME	PIECE
12	46810490	SHIM 12X24X0,20	X
12	46810491	SHIM 12X26X0,20	X
12	46810492	SHIM 12X28X0,20	X
12	46810493	SHIM 12X30X0,20	X
12	46810494	SHIM 12X32X0,20	X
12	46810495	SHIM 12X34X0,20	X
12	46810496	SHIM 12X36X0,20	X
12	46810497	SHIM 12X38X0,20	X
12	46810498	SHIM 12X40X0,20	X
12	46810499	SHIM 12X24X0,25	X
12	46810500	SHIM 12X26X0,25	X
12	46810501	SHIM 12X28X0,25	X
12	46810502	SHIM 12X30X0,25	X
12	46810504	SHIM 12X34X0,25	X
12	46810505	SHIM 12X36X0,25	X
12	46810507	SHIM 12X40X0,25	X
12	46810508	SHIM 12X24X0,30	X
12	46810509	SHIM 12X26X0,30	X
12	46810510	SHIM 12X28X0,30	X
12	46810512	SHIM 12X32X0,30	X
12	46810513	SHIM 12X34X0,30	X
12	46810518	SHIM 12X26X0,15	X
12	46810519	SHIM 12X28X0,15	X
12	46810520	SHIM 12X30X0,15	X
12	46810521	SHIM 12X32X0,15	X
12	46810522	SHIM 12X34X0,15	X
12	46810523	SHIM 12X36X0,15	X
12	46810524	SHIM 12X38X0,15	X
12	46810525	SHIM 12X40X0,15	X
12	46810604	SHIM 12X20X0,10	X
12	46810606	SHIM 12X22X0,10	X
12	46810607	SHIM 12X23X0,10	X
12	46810608	SHIM 12X24X0,10	X
12	46810610	SHIM 12X27X0,15	X
12	46810611	SHIM 12X18X0,15	X
12	46810612	SHIM 12X19X0,15	X
12	46810615	SHIM 12X22X0,15	X
12	46810636	BACKPLATE 12X16X0,30	X

080000190

C130009090

* NEW PART

X ON DEMAND



3H, DELTA, T

- ⑤ Ø 5 mm
- ⑥ Ø 6 mm
- ⑧ Ø 8 mm
- ⑩ Ø 10 mm
- ⑫ Ø 12 mm
- ⑭ Ø 14-14,5 mm
- ⑯ Ø 16 mm
- ⑳ Ø 20 mm
- ㉑ Ø 21 mm
- ㉒ Ø 22 mm
- ㉓ Ø 23 mm
- ㉔ Ø 24,5 mm
- ㉘ Ø 28,5 mm
- ㉚ Ø 32 mm
- ㉜ Ø 52 mm

POS	PARTNUMBER	PARTNAME	PIECE
12	46810637	BACKPLATE 12X17X0,30	X
12	46810638	BACKPLATE 12X18X0,30	X
12	46810639	SHIM 12X19X0,30	X
12	46810641	BACKPLATE 12X21X0,30	X
12	46811582	BACKPLATE 12X30X0,10	X
12	46810631	SHIM 12X20X0,25	X
12	46810633	SHIM 12X22X0,25	X
12	46811580	SHIM 12X32X0,10	X
12	46810503	SHIM 12X32X0,25	X
12	46810517	* SHIM 12X24X0,15	X
12	46810640	SHIM 12X20X0,30	X
12	46811258	RING 12X24X2,5	X
14	46811046	SHIM 14,5X35,4X1,25	X
16	50180023	* SHIM 16X23X0,20	X
16	50180030	SHIM	X
16	50180006	BACKPLATE 16X20X0,10	X
16	50180007	SHIM 16X21X0,10	X
16	50180028	SHIM 16X21X0,25	X
16	50180210	WASHER 16X21X1	X
16	50180008	SHIM 16X22X0,10	X
16	50180022	SHIM 16X22X0,20	X
16	50180037	SHIM 16X23X0,30	X
16	50180038	SHIM 16X24X0,30	X
16	50180032	SHIM 15X25X0,25	X
16	50180039	SHIM 16X25X0,30	X
16	50180012	SHIM 16X26X0,10	X
16	50180019	SHIM 16X26X0,15	X
16	50180026	SHIM 16X26X0,20	X
16	50180040	SHIM 16X26X0,30	X
16	50180041	SHIM 16X28X0,10	X
16	50180045	SHIM 16X28X0,15	X
16	50180054	SHIM 16X28X0,20	X
16	50180063	SHIM 16X28X0,25	X
16	50180072	SHIM 16X28X0,30	X
16	50180046	SHIM 16X30X0,15	X
16	50180055	SHIM 16X30X0,20	X
16	50180064	SHIM 16X30X0,25	X
16	50180073	SHIM 16X30X0,30	X

080000190

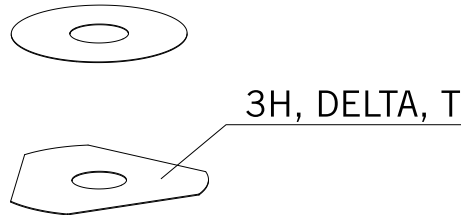
C130009090

* NEW PART

X ON DEMAND



- ⑤ Ø 5 mm
- ⑥ Ø 6 mm
- ⑧ Ø 8 mm
- ⑩ Ø 10 mm
- ⑫ Ø 12 mm
- ⑭ Ø 14-14,5 mm
- ⑯ Ø 16 mm
- ⑳ Ø 20 mm
- ㉑ Ø 21 mm
- ㉒ Ø 22 mm
- ㉓ Ø 23 mm
- ㉔ Ø 24,5 mm
- ㉘ Ø 28,5 mm
- ㉚ Ø 32 mm
- ㉜ Ø 52 mm



POS	PARTNUMBER	PARTNAME	PIECE
16	50180047	SHIM 16X32X0,15	X
16	50180056	SHIM 16X32X0,20	X
16	50180065	SHIM 16X32X0,25	X
16	50180074	SHIM 16X32X0,30	X
16	50180044	SHIM 16X34X0,10	X
16	50180048	SHIM 16X34X0,15	X
16	50180057	SHIM 16X34X0,20	X
16	50180066	SHIM 16X34X0,25	X
16	50180075	SHIM 16X34X0,30	X
16	50180049	SHIM 16X36X0,15	X
16	50180058	SHIM 16X36X0,20	X
16	50180067	SHIM 16X36X0,25	X
16	50180076	SHIM 16X36X0,30	X
16	50180050	SHIM 16X38X0,15	X
16	50180059	SHIM 16X38X0,20	X
16	50180068	SHIM 16X38X0,25	X
16	50180077	SHIM 16X38X0,30	X
16	50180051	SHIM 16X40X0,15	X
16	50180060	SHIM 16X40X0,20	X
16	50180069	SHIM 16X40X0,25	X
16	50180078	SHIM 16X40X0,30	X
16	50180052	SHIM 16X42X0,15	X
16	50180061	SHIM 16X42X0,20	X
16	50180070	SHIM 16X42X0,25	X
16	50180079	SHIM 16X42X0,30	X
16	50180053	SHIM 16X44X0,15	X
16	50180062	SHIM 16X44X0,20	X
16	50180071	SHIM 16X44X0,25	X
16	50180080	SHIM 16X44X0,30	X
16	50180177	WASHER 16X8,2X0,6	X
16	50180033	SHIM 16X26X0,25	X
16	50180034	BACKPLATE 16X20X0,30	X
16	50180035	BACKPLATE 16X21X0,30	X
16	50180036	BACKPLATE 16X22X0,30	X
16	50180043	SHIM	X
16	50180024	* SHIM 16X24X0,20	X
16	50180027	* SHIM 16X20X0,25	X
16	50180031	SHIM	X

080000190

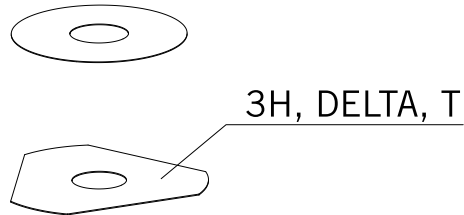
C130009090

* NEW PART

X ON DEMAND



- ⑤ Ø 5 mm
- ⑥ Ø 6 mm
- ⑧ Ø 8 mm
- ⑩ Ø 10 mm
- ⑫ Ø 12 mm
- ⑭ Ø 14-14,5 mm
- ⑯ Ø 16 mm
- ⑳ Ø 20 mm
- ㉑ Ø 21 mm
- ㉒ Ø 22 mm
- ㉓ Ø 23 mm
- ㉔ Ø 24,5 mm
- ㉘ Ø 28,5 mm
- ㉚ Ø 32 mm
- ㉜ Ø 52 mm



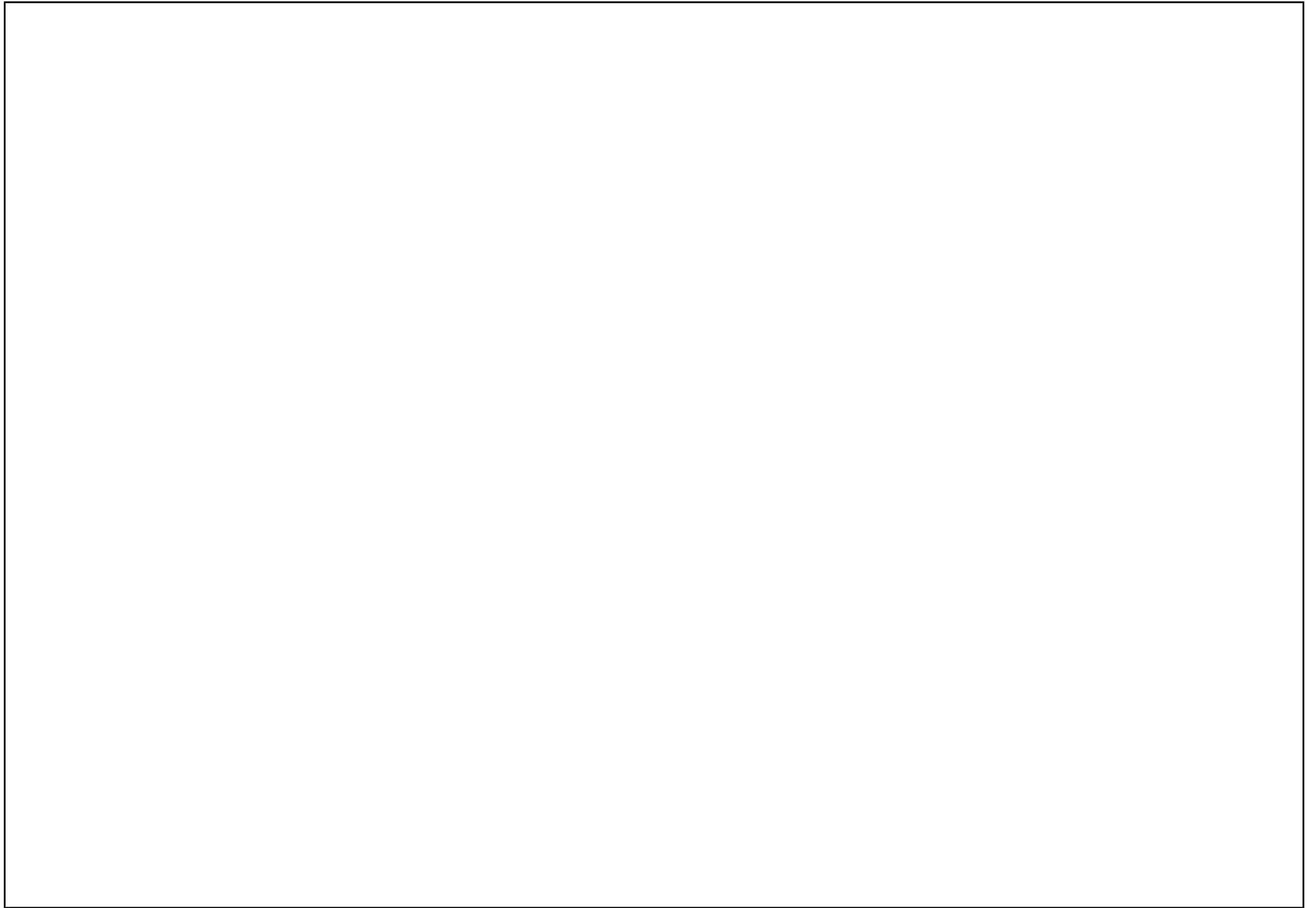
POS	PARTNUMBER	PARTNAME	PIECE
20	48600212	PRESSURE-RING 20X16,25X0,20	X
20	50180666	SHIM 20X24X0,30	X
20	50180654	SHIM 20X36X0,20	X
20	50180655	SHIM 20X38X0,20	X
20	50180656	SHIM 20X40X0,20	X
20	50180665	SHIM 20X40X0,25	X
20	50180662	SHIM 20X34X0,25	X
20	50180657	SHIM 20X24X0,25	X
20	50180653	SHIM 20X34X0,20	X
20	50180634	RING 20X22,9X1	X
20	50180650	SHIM 20,2X28X0,20	X
20	50180663	SHIM 20X36X0,25	X
20	50180664	SHIM 20X38X0,25	X
20	50180659	SHIM 20,2X28X0,25	X
21	50180209	WASHER 21X36X0,25	X
22	50180330	* PRESS. RING 22X18X0,30	X
23	50180635	SHUTTLE VALVE 23X38X0,25	X
23	50180578	SHIM D23XD16X2	X
24	40541061	WASHER 24,5X34X2	X
28	36120469	SHIM 28,5X14X2	X
28	36120471	SHIM 28,5X14X5	X
32	48600460	WASHER 32X42X2,5	X
32	50600065	SHIM 32X45X2	X
32	46811637	PRESSURE RING 36X32,25	X
52	50600002	SHIM 52X59X2,2	X

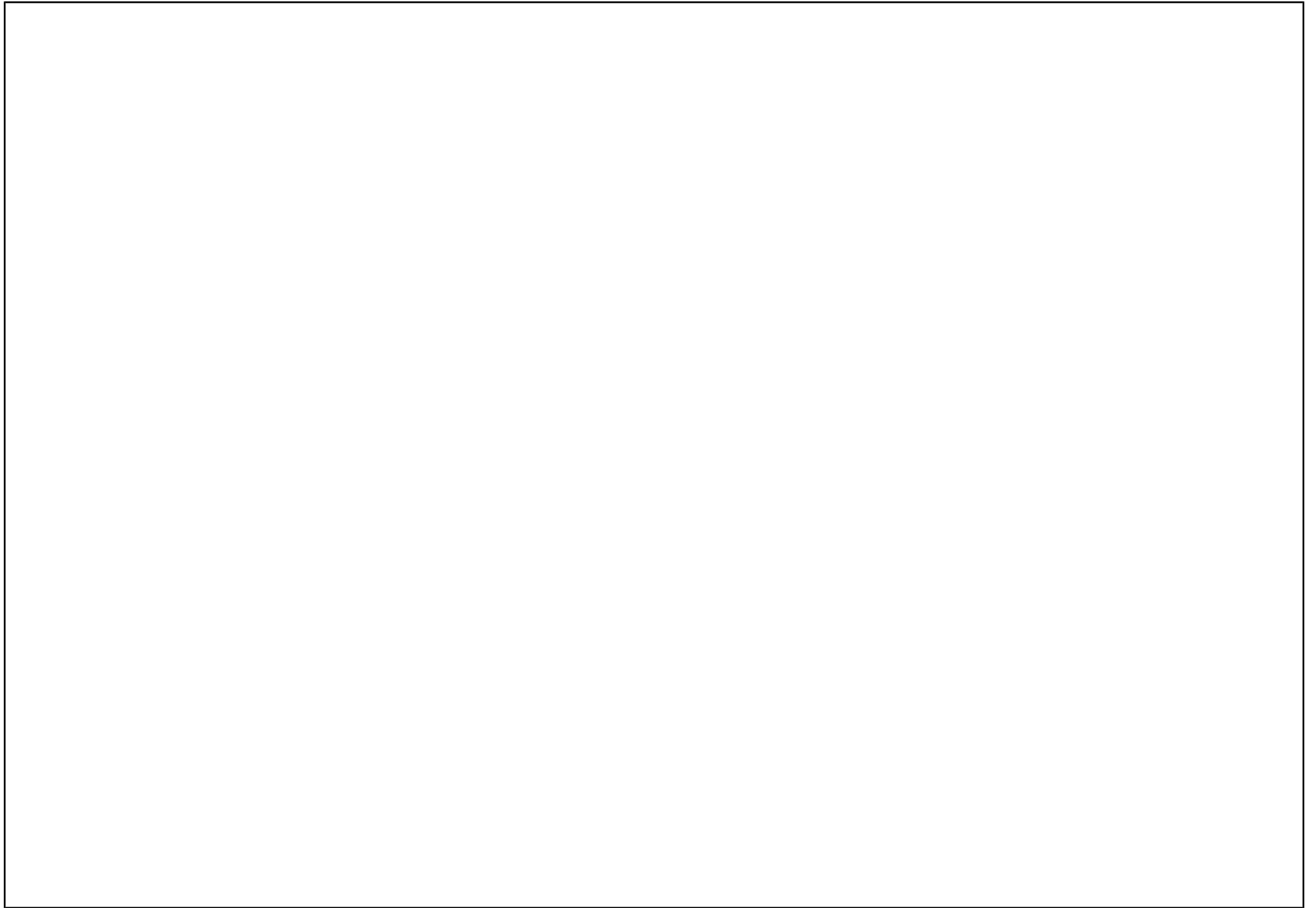
080000190

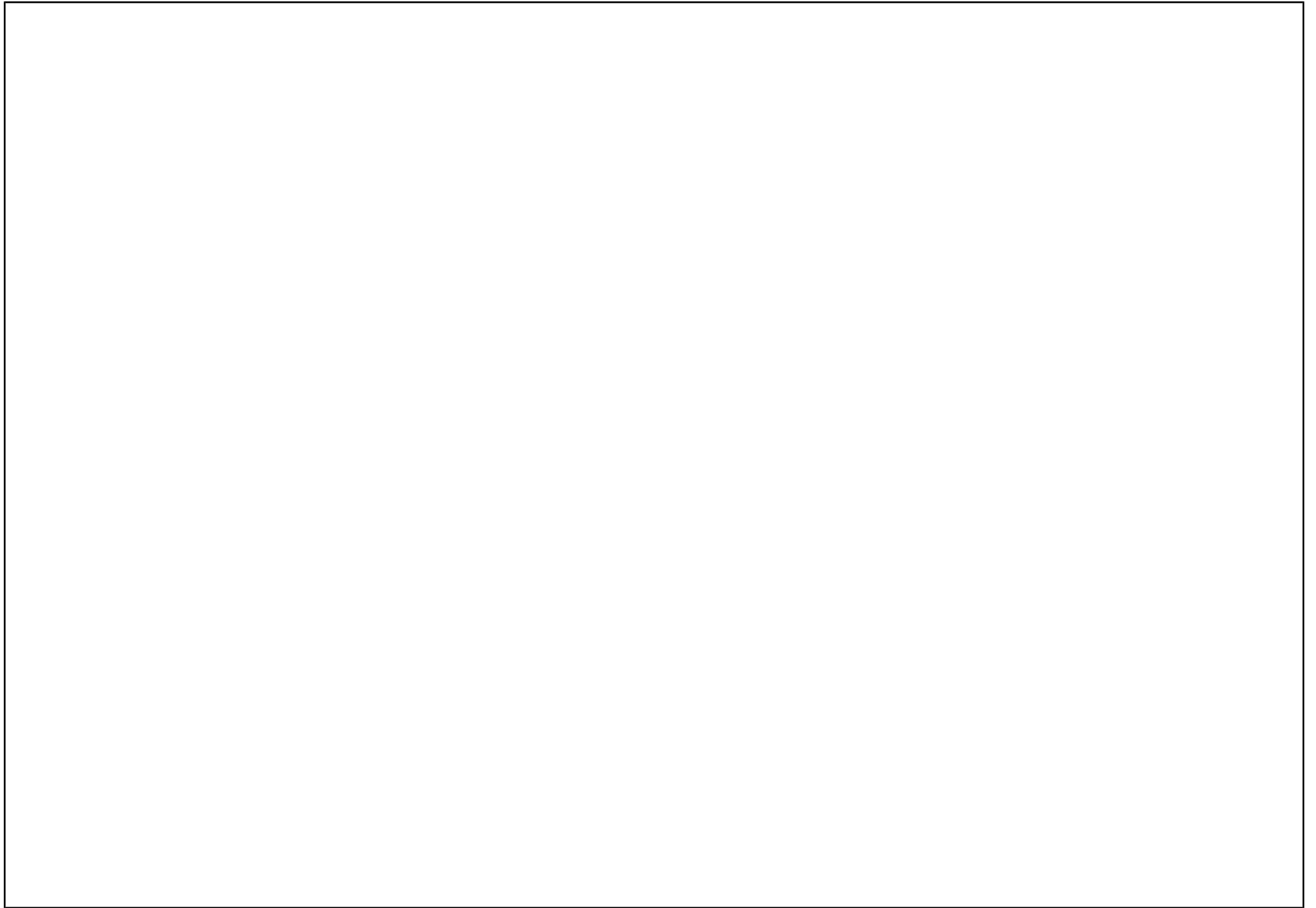
C130009090

* NEW PART

X ON DEMAND









3CFF2001N9EN



Husqvarna Motorcycles GmbH
Stallhofnerstraße 3 | 5230 Mattighofen | Austria
www.husqvarna-motorcycles.com



THE PIONEERS OF MOTOCROSS

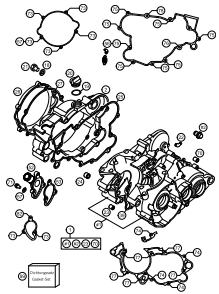
SPAREPARTSCATALOG

ENGINE

ART.-NR.: 3CM080405NEN

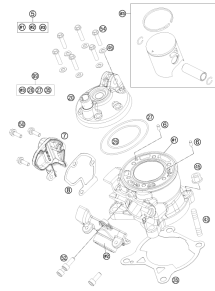
TC 85 2014

ENGINE CASE



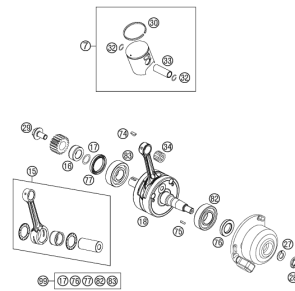
3

CYLINDER



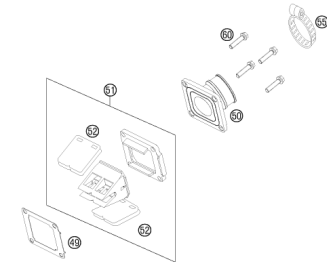
4

CRANKSHAFT, PISTON



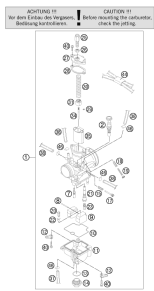
5

REED VALVE HOUSING



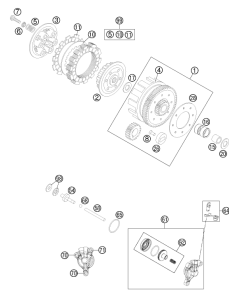
6

CARBURETOR



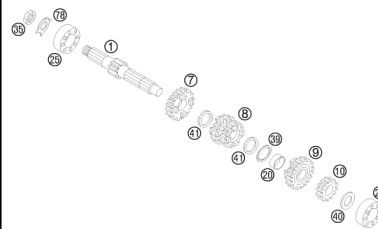
7

CLUTCH



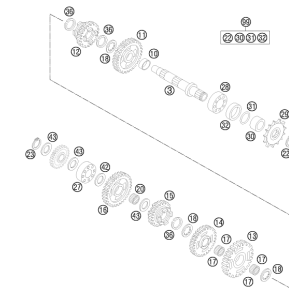
9

TRANSMISSION I - MAIN SHAFT



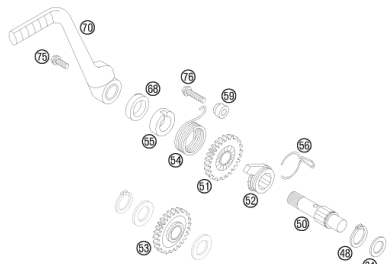
10

TRANSMISSION II - COUNTERSHAFT



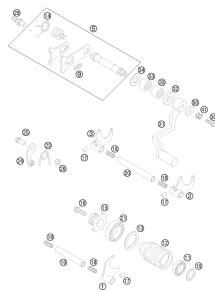
11

KICK STARTER



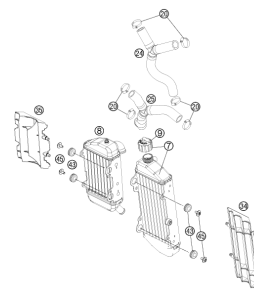
12

SHIFTING MECHANISM



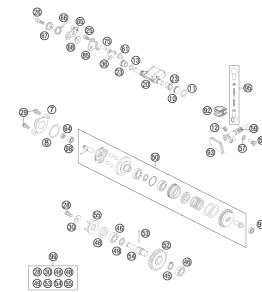
13

COOLING SYSTEM



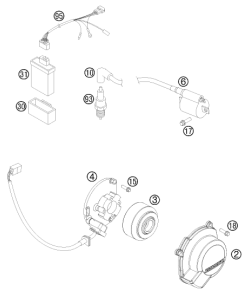
14

EXHAUST CONTROL



15

IGNITION SYSTEM

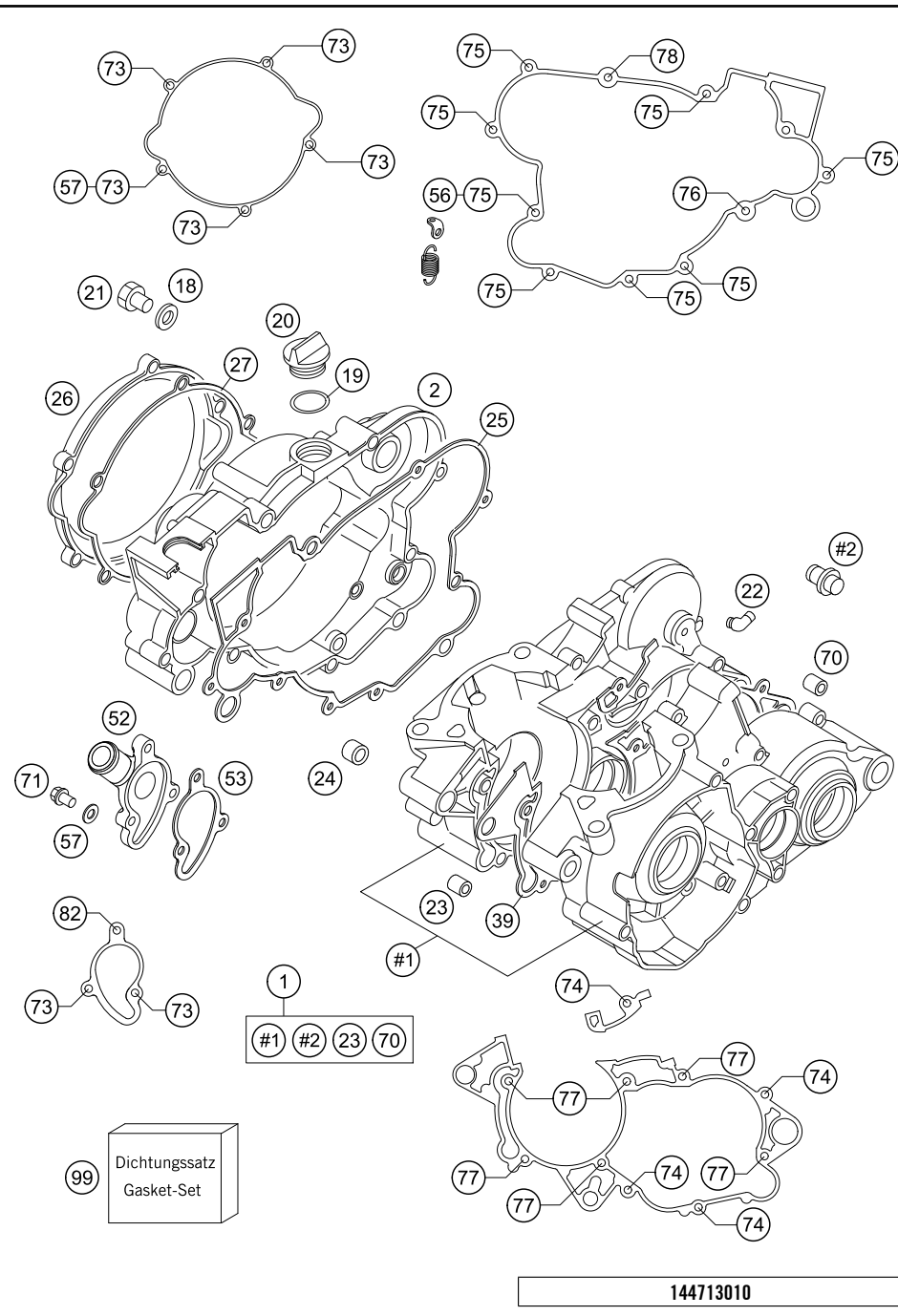


17



All information contained is without obligation. HUSQVARNA MOTORCYCLES GmbH particularly reserves the right to modify any equipment, technical specifications, prices, colors, shapes, materials, services, service work, constructions, equipment and the like so as to adapt them to local conditions or to cancel any of the above items, all without previous announcement and without giving reasons. KTM may stop manufacturing certain models without previous notice. HUSQVARNA MOTORCYCLES shall not be held liable for any deviations of availability and/or ability to deliver, illustrations, descriptions, printing and/or other errors. The illustrated models partly contain extra equipment, which is not applied to standard models.

© by HUSQVARNA MOTORCYCLES GmbH, Mattighofen AUSTRIA; All rights reserved; Reprint, also in extracts, with written allowance of HUSQVARNA MOTORCYCLES GmbH, Mattighofen only.

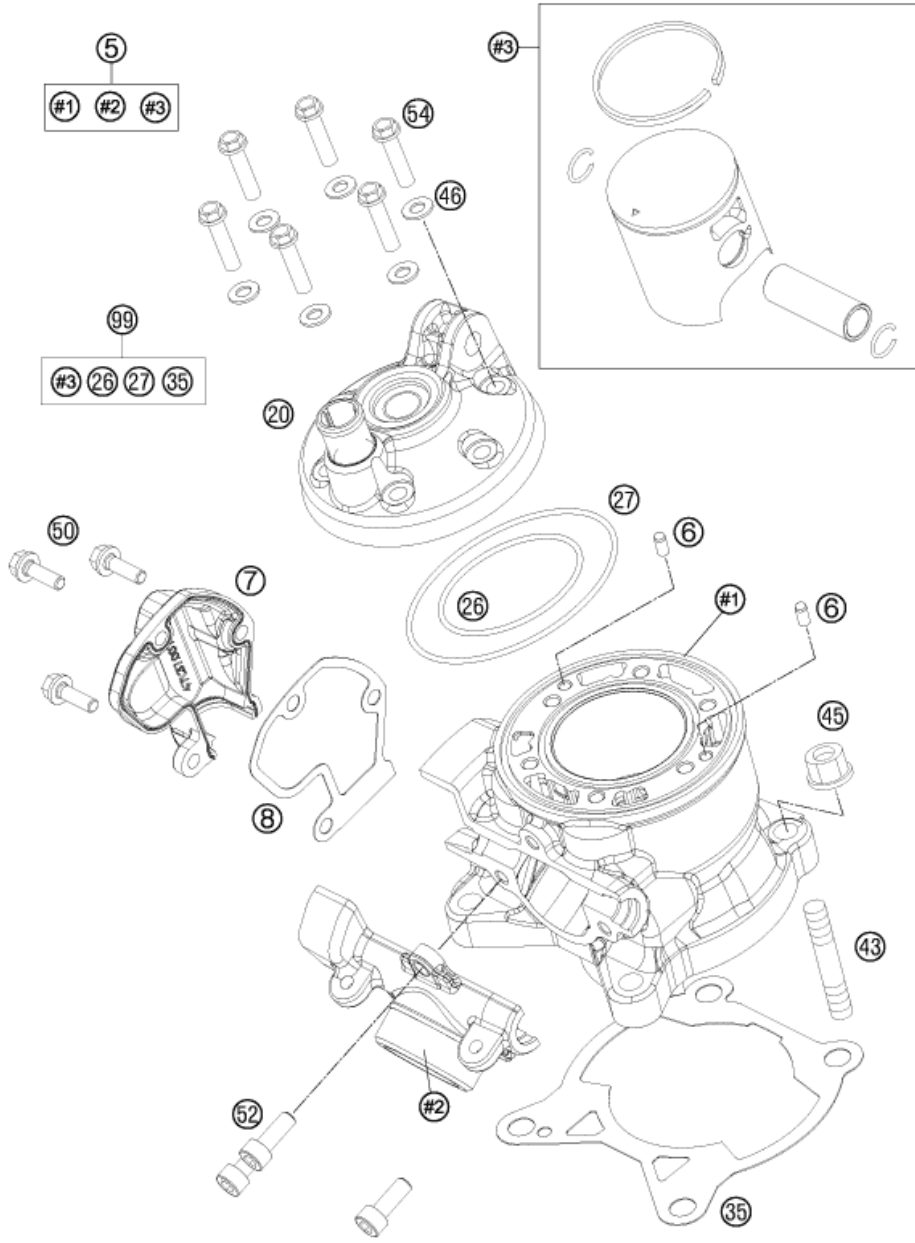


POS	PARTNUMBER	PARTNAME	PIECE
1	47030000144	ENGINE CASE CPL. 85 SX 2008	1
2	47030001100	CLUTCH COVER CPL. 85 SX 06	1
18	0603101420	COPPER GASKET 10,2X14X2 MM 01	1
19	0770160030	O-RING 16,00X3,00 NBR 70	1
20	58030120000	OIL FILLER CAP M24x3 WITH O-R	1
21	46030021100	OIL DRAIN PLUG M10 WS=13	1
22	45130022000	ANGLE PIECE 50CCM LC 2001	1
23	47030023100	DOWEL 13X13	1
24	45130023000	DOWEL 7X9X10	1
25	47030025000	INNER CLUTCH COVER GASKET	1
26	47030626000KA	OUTER CLUTCH COVER	1
27	47030027100	GASKET FOR OUTER CLUTCH COVER	1
39	47030039000	GASKET F. ENGINE CASE 85 SX 03	1
52	47035052000	WATER PUMP COVER 85 SX 2003	1
53	47035053000	GASKET FOR WATER PUMP COVER 03	1
56	47003071000	SPRINGHOLDER	1
57	0603061001	CU-SEAL RING DIN7603-6X10X1	2
70	47030023000	DOWEL 14,5X19	1
71	0025060106	HH COLLAR SCREW M6X10 TX30	1
73	0015060203	HH COLLAR SCREW M 6X20 WS=8	7
74	0025060256	HH COLLAR SCREW M6X25 TX30	4
75	0015060303	HH COLLAR SCREW M 6X30 SW=8	8
76	0025060356	HH COLLAR SCREW M6X35 TX30	1
77	0025060406	HH COLLAR SCREW M6X40 TX30	6
78	0025060456	HH COLLAR SCREW M6X45 TX30	1
82	0015060653	HH COLLAR SCREW M 6X65 WS=8	1
99	47030099100	GASKET SET CPL. 85/105SX 04	1

144713010

C144713011

* NEW PART X ON DEMAND

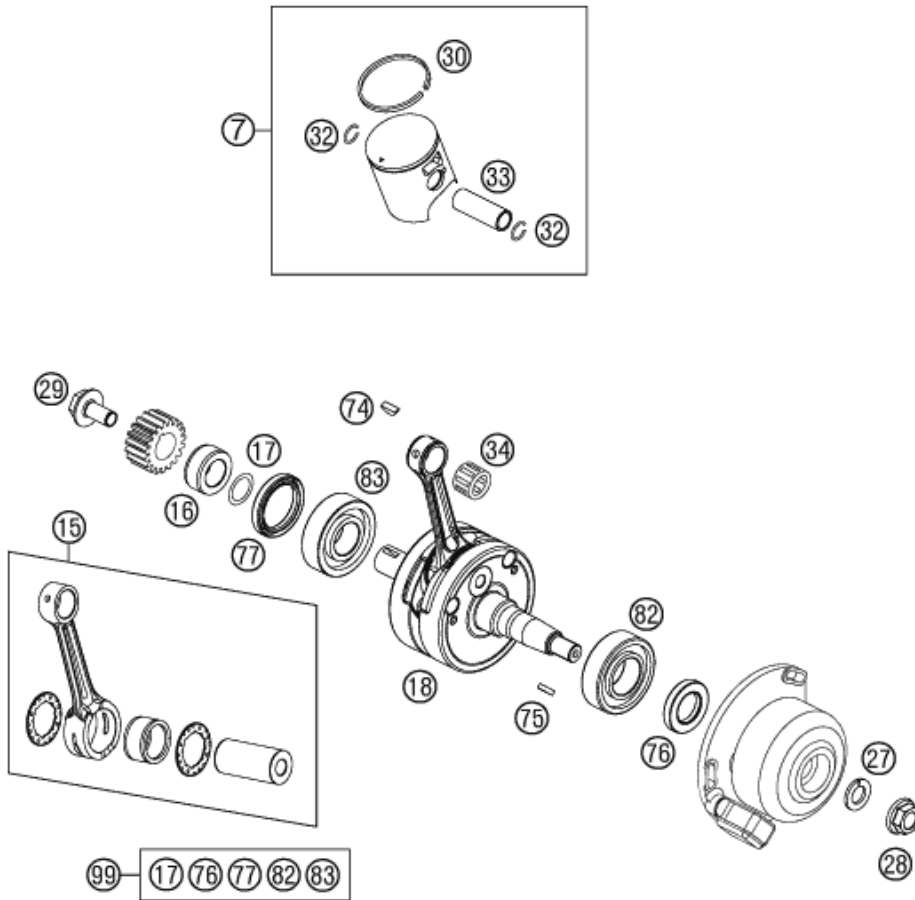


POS	PARTNUMBER	PARTNAME	PIECE
5	47130038000	CYLINDER + PISTON 85 SX	1
6	0402040980	NEEDLE ROL.DIN5402 NRB 4X9,8	2
7	47137007000	CONTROL COVER	1
8	47137008000	GASKET CONTROL COVER	1
20	47130006000	CYLINDER HEAD 85 SX	1
26	0770540020	O-RING 54X2 VITON	1
27	0770800021	O-RING 80,00X2,00 VITON	1
35	47030035020	CYLINDER BASE GASKET 0,20MM	x
35	47030035030	CYLINDER BASE GASKET 0,30MM	x
35	47030035000	CYLINDER BASE GASKET 0,50MM	x
43	0835080240	STUD DIN 0835-M 8X24	4
45	46030045000	COLLAR NUT M8 WS=10	4
46	0603061001	CU-SEAL RING DIN7603-6X10X1	6
50	0015050123	HH COLLAR SCREW M 5X12 WS=8	3
52	0012060164	AH SCREW DIN6912 M6X16 SL	3
54	0025060256	HH COLLAR SCREW M6X25 TX30	6
99	00050000204	PISTON KIT GR.I 85 SX 06-14	x
99	00050000205	PISTON KIT GR.II 85 SX 03-13	x

134703040

C144713040

* NEW PART X ON DEMAND



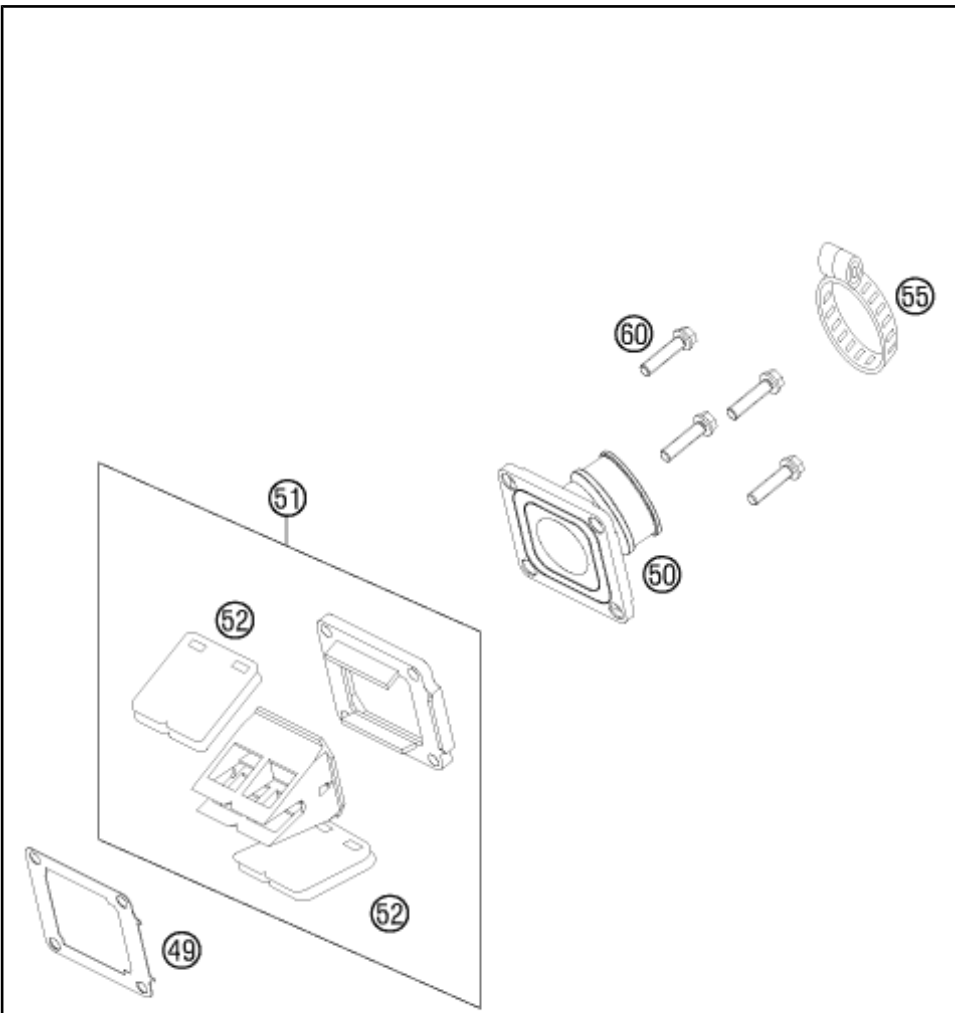
POS	PARTNUMBER	PARTNAME	PIECE
7	47030007100 I	PISTON CPL. 47MM SIZE 1 2005	1
7	47030007100 II	PISTON CPL. 47MM SIZE 2 2005	1
15	47030015200	CONNECT. ROD REPAIR SET 85 SX	1
16	47030016000	SPACER SLEEVE 85 SX 2003	1
17	0770020180	O-RING 18,77X1,78 NBR 70	1
18	47030018200	CRANKSHAFT 85 SX	1
27	50230029012	LOCKING RING VSK 12	1
28	49030021000	COLLAR NUT M12X1 R/S	1
29	47032019000	HH SCREW W. COLLAR M10X1,25X20	1
30	47030030000	PISTON RING 85 SX 2003	1
32	47030074000	WIRE LOCK RING 85 SX 2003	2
33	47030033000	PISTON PIN 85 SX 2003	1
34	47030034000	NEEDLE BEARING KBK 14X18X17 03	1
74	0888040050	WOODRUFF KEY DIN6888 4X5X13	1
75	0888030050	WOODRUFF KEY DIN6888-3X5X13	1
76	47030076100	SEAL SHAFT RING 20X35X6 BTSL	1
77	0760304261	OIL SEAL	1
82	49030023000	CYL.ROLL BEARING NJ205	1
83	47030083000	BALL BEARING 22X52X15	1
99	00050002307	CRANKSHAFT REP. KIT 85/105 SX	x

134703060

C144713060

* NEW PART

X ON DEMAND



POS	PARTNUMBER	PARTNAME	PIECE
49	47030049000	GASKET FOR INTAKE FLANGE 85 SX	1
50	47030050100	INTAKE FLANGE 85 SX 2009	1
51	47030051144	REED VALVE ASSY CPL.85 SX 2009	1
52	47030052144	REED VALVE CPL. 85 SX 2009	1
55	51230061000	CLAMP 40/12 GEMI	1
60	0025060256	HH COLLAR SCREW M6X25 TX30	4

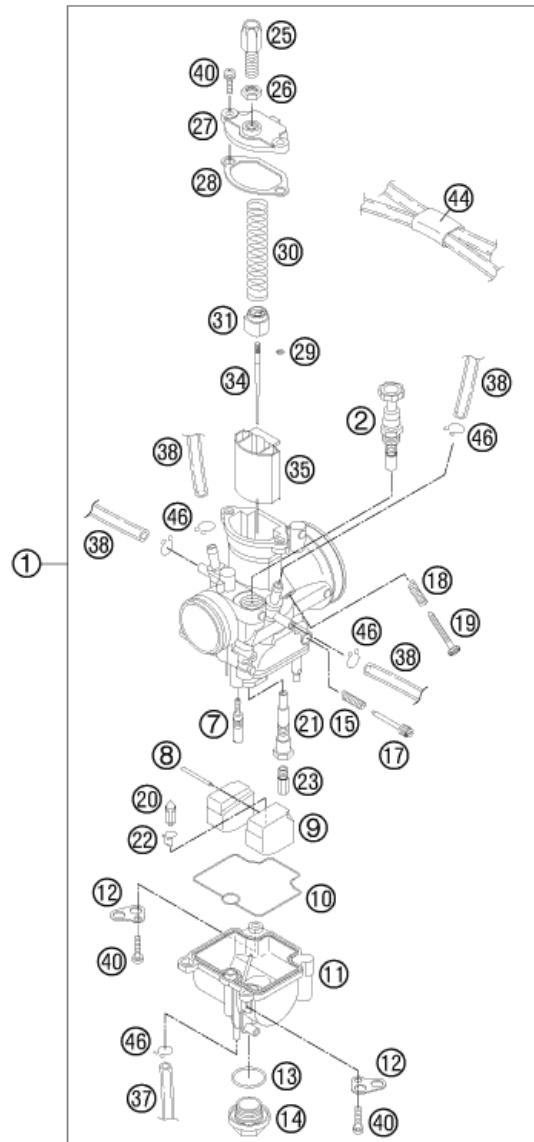
124703070

C134703070

* NEW PART

X ON DEMAND

ACHTUNG !!! Vor dem Einbau des Vergasers, Bedüsung kontrollieren.
CAUTION !!! Before mounting the carburetor, check the jetting.



POS	PARTNUMBER	PARTNAME	PIECE
1	47031001000	CARBURETOR KEIHIN PWK 28 2003	1
2	54631245000	STARTER PISTON CPL.	1
7	54531607038	IDLE JET 38 KEIHIN	x
7	54531607040	IDLE JET 40 KEIHIN	x
7	54531607042	IDLE JET 42 KEIHIN	x
7	54531607045	IDLE JET 45 KEIHIN	1
7	54531607048	IDLE JET 48 KEIHIN	x
7	54531607050	IDLE JET 50 KEIHIN	x
8	57331008000	ARM PIN FLOAT	1
9	47031009000	FLOAT CPL. PWK28 03	1
10	47031010000	FLOAT CHAMBER GASKET	1
11	47031011000	FLOAT CHAMBER PWK28 03	1
12	54531612100	RETAINING PLATE FOR BLEEDER	2
13	0770180230	O-RING 18,00X2,30 NBR 70	1
14	54531699000	PLUG M 18X1	1
15	54531615000	SPRING FOR ADJUSTMENT SCREW	1
17	54531617000	ADJUSTMENT SCREW	1
18	54631118000	SPRING	1
19	54631219100	ADJUSTMENT SCREW M 5	1
20	47031020000	FLOAT NEEDLE CPL.	1
21	47031021000	NEEDLE JET	1
22	54531621000	CLAMP	1
23	54531623115	MAIN JET 115 KEIHIN	x
23	54531623118	MAIN JET 118 KEIHIN	x
23	54531623120	MAIN JET 120 KEIHIN	x
23	54531623122	MAIN JET 122 KEIHIN	x
23	54531623125	MAIN JET 125 KEIHIN	x
23	54531623128	MAIN JET 128 KEIHIN	x
23	54531623130	MAIN JET 130 KEIHIN	x
23	54531623132	MAIN JET 132 KEIHIN	x
23	54531623135	MAIN JET 135 KEIHIN	x
25	54531625000	ADJUSTMENT SCREW M 6X0,75	1
26	52031126000	HEXAGON NUT M 6X0,75 DIN0439	1
27	47031027000	CARBURETOR COVER PWK28 03	1
28	47031028000	CARBURETOR COVER GASKET PWK28	1
29	54531629000	CLIP FOR JET NEEDLE	1
30	47031030000	THROTTLE VALVE SPRING	1
31	47031031000	SPRING CAP	1

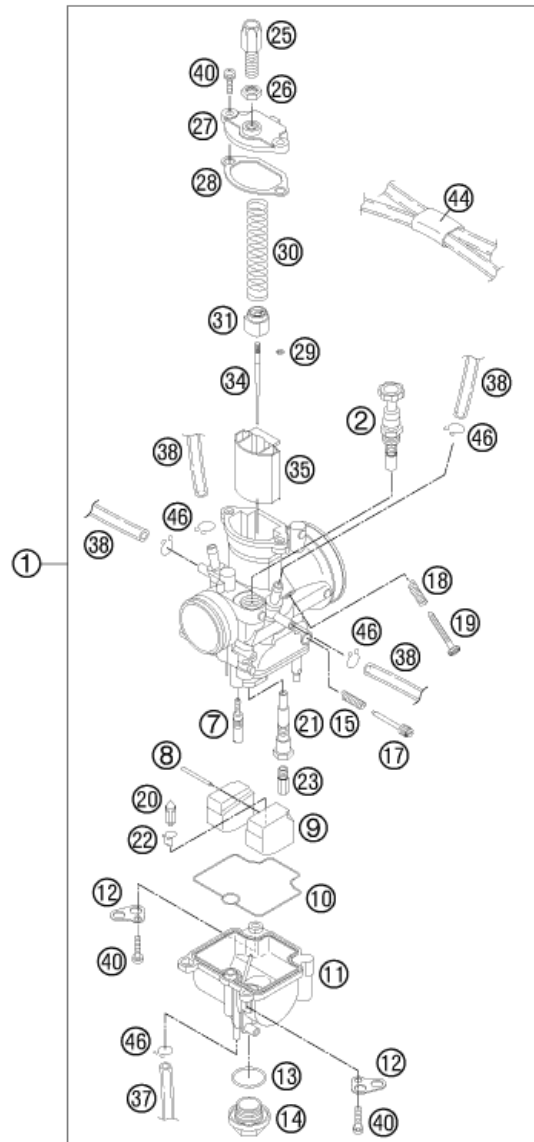
124703110

C124703110

* NEW PART X ON DEMAND

ACHTUNG !!!
Vor dem Einbau des Vergasers,
Bedüsung kontrollieren.

CAUTION !!!
Before mounting the carburetor,
check the jetting.



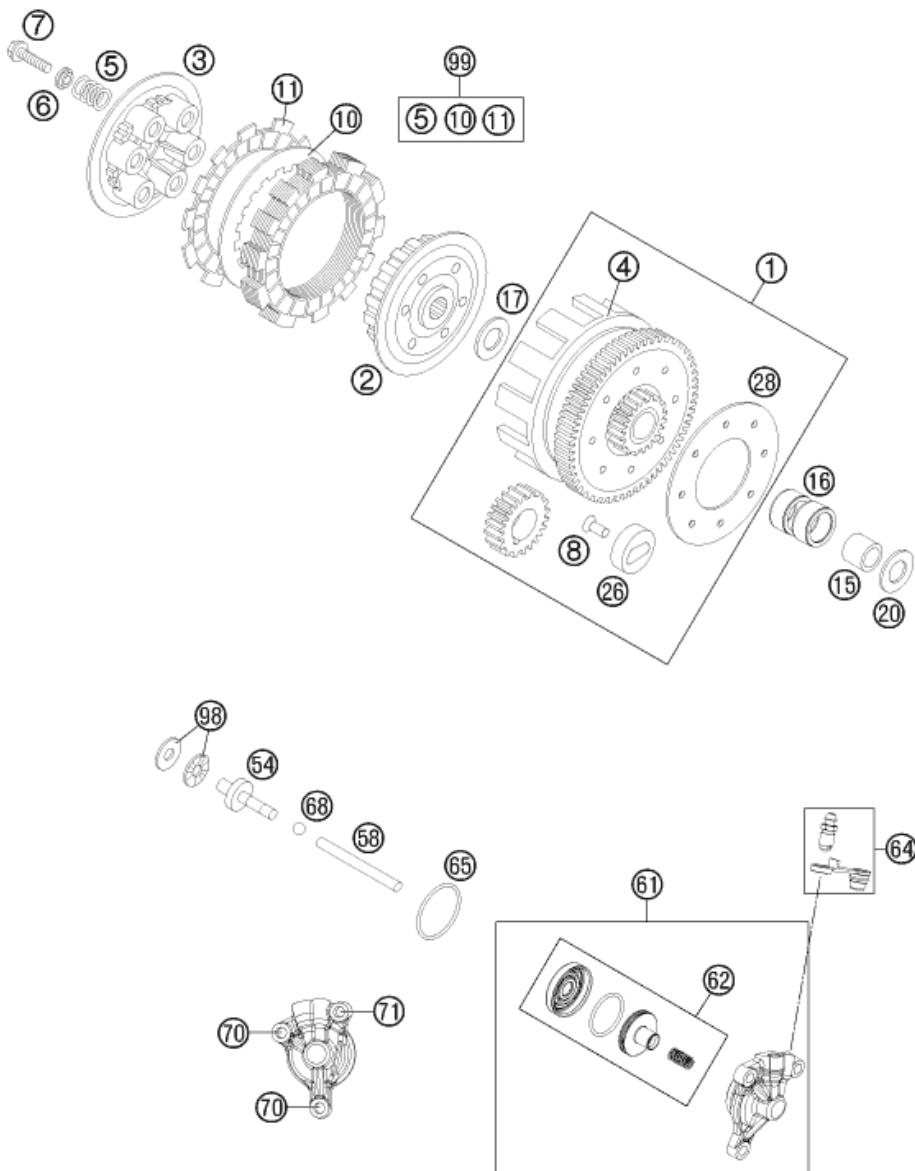
124703110

POS	PARTNUMBER	PARTNAME	PIECE
34	47031034000	JET NEEDLE N5HG KEIHIN	1
34	47031034100	JET NEEDLE N5HF KEIHIN	x
34	47031034200	JET NEEDLE N5HH KEIHIN	x
35	47031035000	THROTTLE VALVE 3,5	1
37	52031137001	PVC-HOSE 3X5MM	0
38	31007007101	PVC-HOSE 4X6MM	2
40	0016040163	HH COLLAR SCREW M 4X16 WS=6	4
44	47031084000	PLASTIC-CLIP	1
46	54531696000	CLAMP 6 MM	5

C124703110

* NEW PART

X ON DEMAND

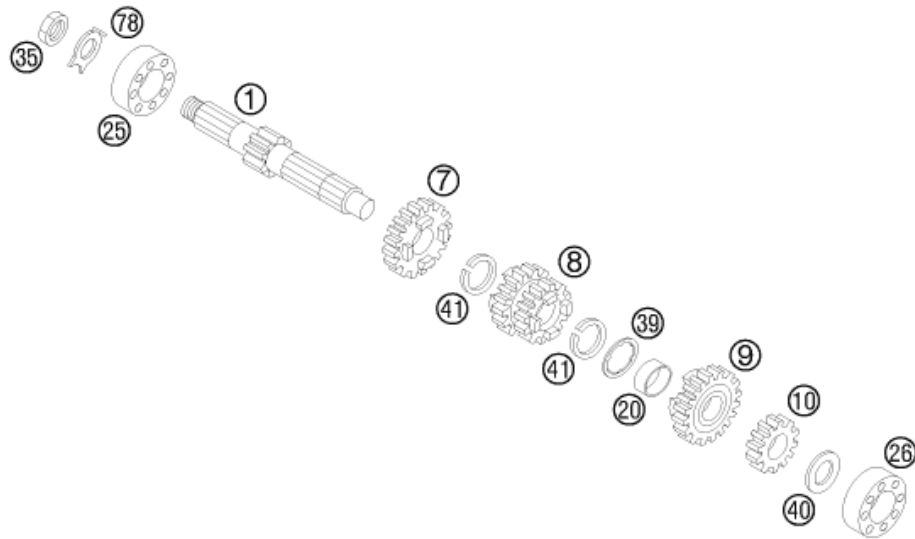


POS	PARTNUMBER	PARTNAME	PIECE
1	47032001244	OUTER CLUTCH HUB CPL. 85 SX 13	1
2	47032002000	INNER CLUTCH HUB 85 SX 2003	1
3	47032003000	PRESSURE CAP 85 SX 2003	1
4	47032001100	OUT. CLUTCH HUB LOOSE 85 SX 07	1
5	47032005000	CLUTCH SPRING 85 SX 2003	5
6	47032006000	SPRING RETAIN. 5,1X10,2X15X2,5	5
7	0015050203	HH COLLAR SCREW M 5X20 WS=8	5
8	47032008000	RIVET DIN0661 5X14	6
10	47032010000	STEEL DISC 85 SX 03	6
11	47032011000	LINING DISC 85 SX 2003	7
15	47032015000	BUSHING 20X25X20,5	1
16	0405252910	NEEDLE BEAR K 25X29X10	2
17	47032017000	SUPPORT WASHER 18,5X35X1,5 03	1
20	47032020000	STOP DISC 20X32X2	1
26	47032026000	DAMPING ELEMENT 85 SX 2003	6
28	47032028000	RETAINING PLATE 85 SX 2003	1
54	47032054000	PRESSURE PLATE 85 SX 2003	1
58	47032058000	PUSH ROD 85 SX 2003	1
61	47132061044	OUTPUT CYLINDER CPL.	1
62	47132066000	PISTON CPL.	1
64	47132064000	BLEEDER SCREW WITH CAP	1
65	0770031018	O-RING 31,47X1,78	1
68	47032068000	BALL D=6MM 85 SX 2003	1
70	0015060163	HH COLLAR SCREW M 6X16 WS=8	2
71	0015060303	HH COLLAR SCREW M 6X30 SW=8	1
98	47032098000	AXIAL NEEDLE BEARING 85 SX 03	1
99	47032010010	CLUTCH KIT 105/85 SX 03-14	1

134703210

C144713210

* NEW PART X ON DEMAND



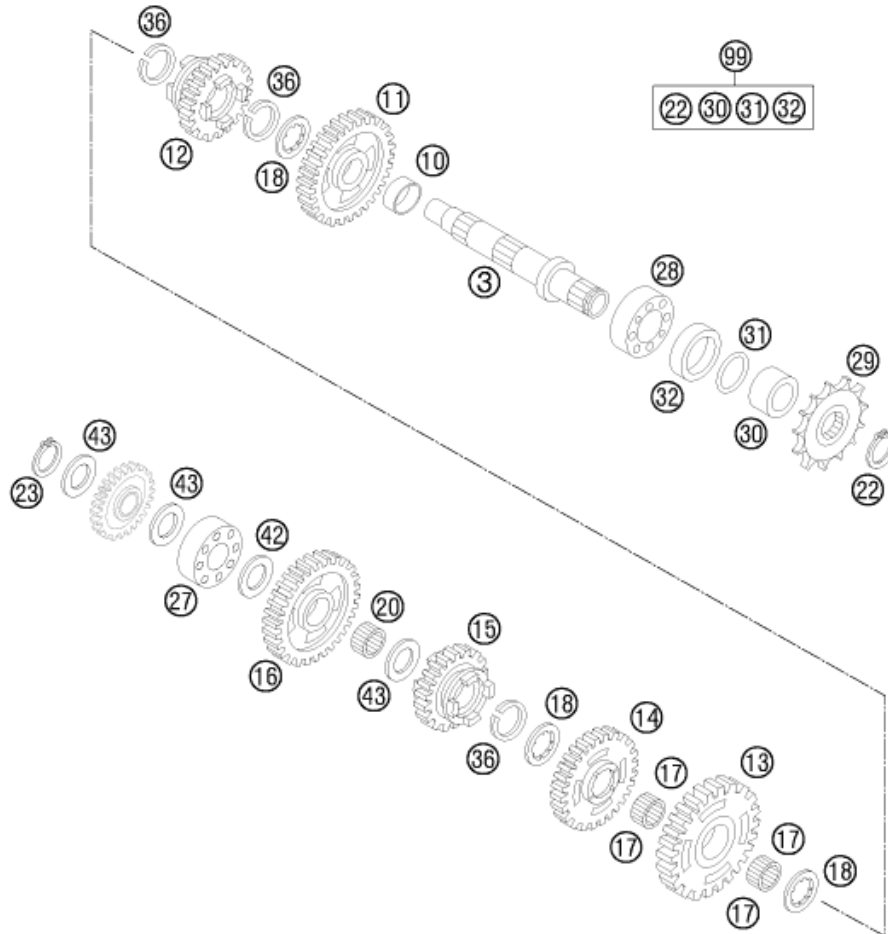
POS	PARTNUMBER	PARTNAME	PIECE
1	47033001000	MAIN SHAFT 11-T 85 SX 2003	1
7	47033007000	IDLER GEAR 5TH G. 21-T 03	1
8	47033008000	SLID. GEAR 3RD/4TH G. 16/19-T	1
9	47033009100	IDLER GEAR 6TH G. 20-T 05	1
10	47033010000	SOLID GEAR 2ND G. 14-T 03	1
20	47033020000	IDLER GEAR BUSHING 05	1
25	46033028000	GROOVED BALL BEARING 20X42X12	1
26	47033026000	BALL BEARING 16X35X8	1
35	46030029000	HH NUT 14X1,25X7 WS=22	1
39	47033039000	STOP DISK 05	1
40	47033041000	STOP DISC 16X26X1	1
41	47033096000	AXIAL CIRCLIP 19 SW	2
78	46030078000	LOCKING PLATE D=14MM	1

124703330

C124703330

* NEW PART

X ON DEMAND



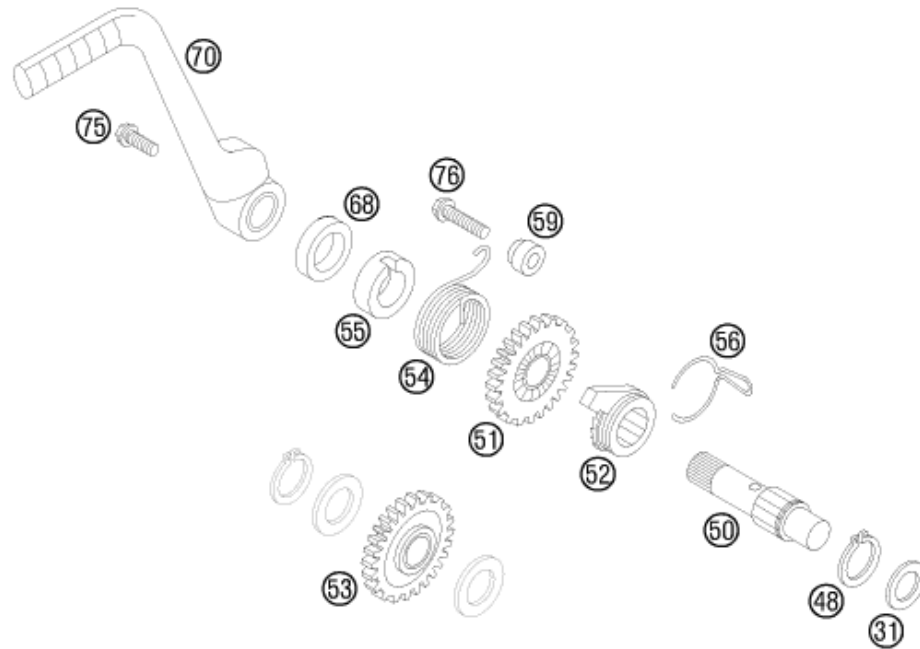
POS	PARTNUMBER	PARTNAME	PIECE
3	47033003100	COUNTERSHAFT	1
10	47033021000	IDLER GEAR BUSHING 07	1
11	47033011200	IDLER GEAR 2ND G. 28-T 09	1
12	47033012100	SLIDING GEAR 6TH G. 21-T	1
13	47033013200	IDLER GEAR 3RD G.	1
14	47033014200	IDLER GEAR 4TH G.	1
15	47033015100	SLIDING GEAR 5TH G. 25-T	1
16	47033016000	IDLER GEAR 1ST G. 29-T 03	1
17	50133099000	NEEDLE CAGE K18X22X10 PARTED	2
18	47033095000	SHIM	3
20	47033099000	NEEDLE BEARING K15X19X10S	1
22	49033091000	CIRCLIP AS20X1,75	1
23	0471150010	CIRCLIP DIN0471-15X1	1
27	0625160020	BALL BEARING 16002 C3	1
28	0625062041	BALL BEARING 6204 JR2 C4	1
29	47033029013	ENGINE SPROCKET 13-T 85 SX 03	x
29	47033029014	ENGINE SPROCKET 14-T 85 SX 03	1
30	47033030000	SPACER FOR SPROCKET	1
31	46033031000	% O-RING 18,77X1,78	1
32	0760263560	SHAFT SEAL RING 26X35X6	1
36	0417210120	CIRCLIP SW21	3
42	47033040000	STOP DISC 15X25X1	1
43	47033043000	STOP DISC 15X25X0,5	3
99	00050000942	COUNTER SHAFT REP.KIT 105/85SX	1

124703360

C134703360

* NEW PART

X ON DEMAND



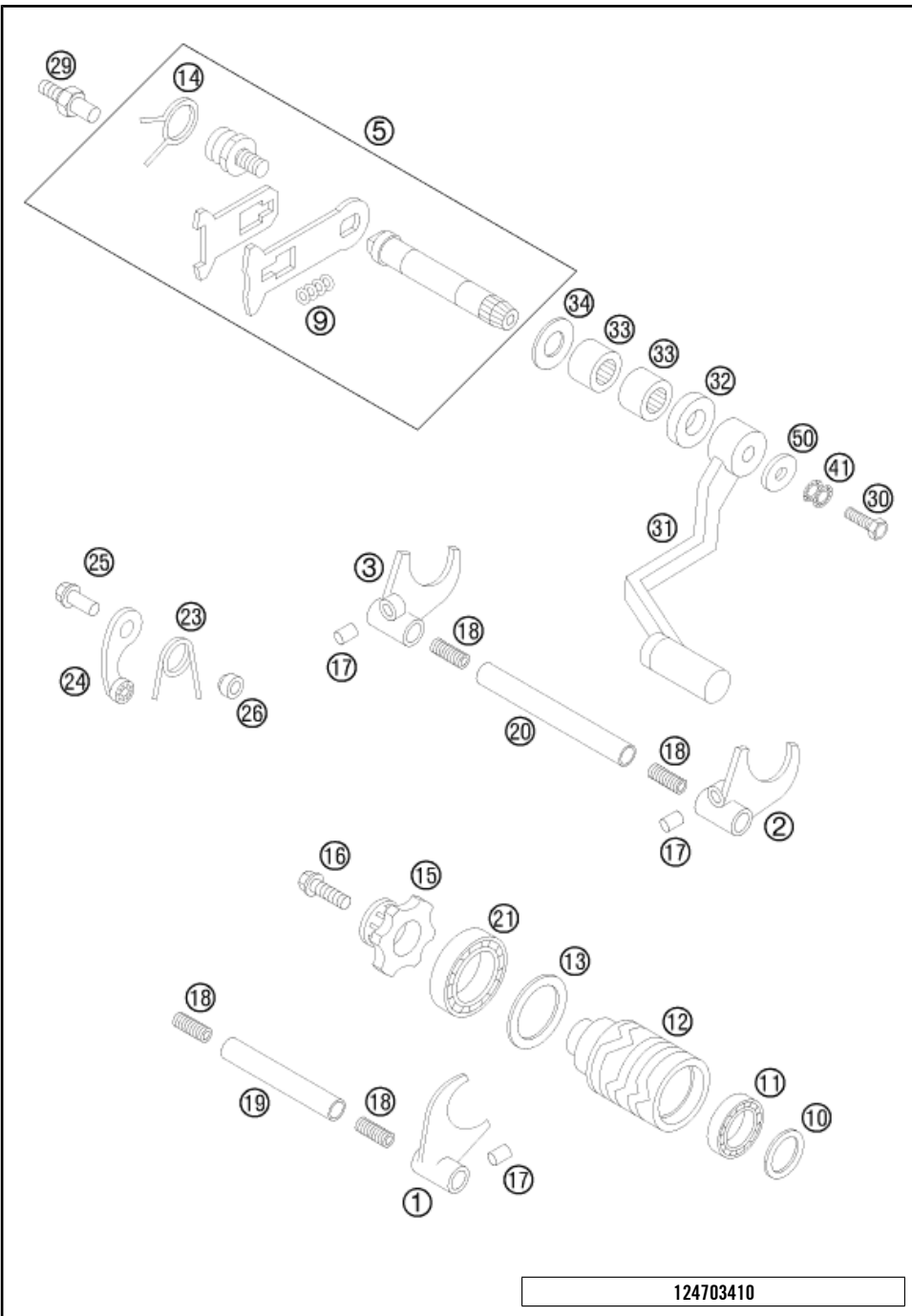
POS	PARTNUMBER	PARTNAME	PIECE
31	47033040000	STOP DISC 15X25X1	1
48	0471190120	CIRCLIP DIN0471-19X1,2	1
50	47033050100	KICKSTARTER SHAFT 85 SX LONG	1
51	47033051000	KICKSTART GEAR 85 SX 2003	1
52	47033052000	RATCHET GEAR 85 SX 2003	1
53	47033053000	KICKST. INTERMEDIATE GEAR 2003	1
54	47033054000	KICKSTART SPRING 85 SX 2003	1
55	46033055000	DRIVING HUB	1
56	47033056000	RATCHET GEAR SPRING 85 SX 2003	1
59	47033059000	SPRING SPACER 85 SX 2003	1
68	0760142460	SHAFT SEAL RING 14X24X6 B	1
70	47033070000	KICKSTARTER CPL. 85 SX 2003	1
75	0015060163	HH COLLAR SCREW M 6X16 WS=8	1
76	0015050253	HH COLLAR SCREW M 5X25 WS=8	1

124703390

C124703390

* NEW PART

X ON DEMAND

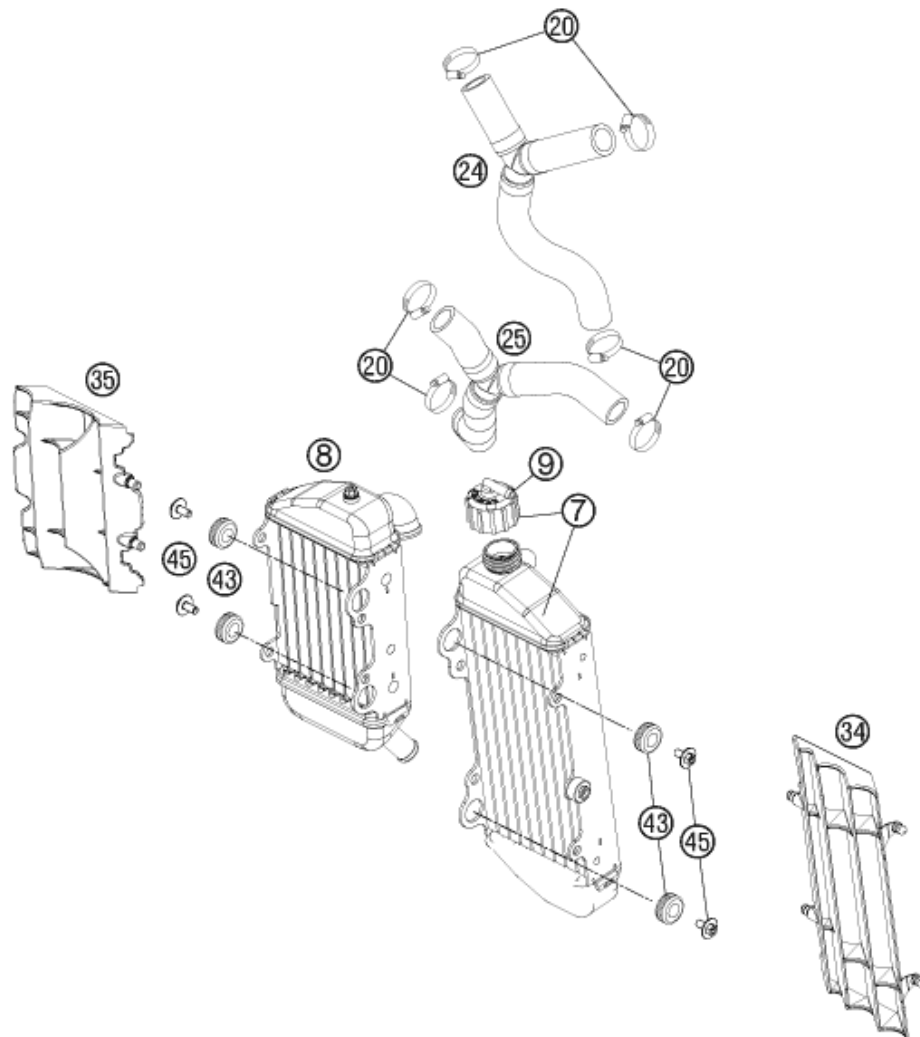


POS	PARTNUMBER	PARTNAME	PIECE
1	47034001000	SHIFT FORK 5TH/6TH GEAR 2003	1
2	47034002000	SHIFT FORK 2ND/3RD GEAR 2003	1
3	47034003000	SHIFT FORK 1ST/4TH GEAR 2003	1
5	47034005044	SHIFTING SHAFT CPL. 85 SX 2003	1
9	46034009000	PRESSURE SPRING SLIDER PLATE	1
10	47034091000	WASHER 15X20X0,5	1
11	0625069020	BALL BEARING 6902 15X28X7	1
12	47034012000	SHIFT ROLLER 85 SX 2003	1
13	47034092000	WASHER 25X32X0,5	1
14	46034014000	RETURN SPRING	1
15	47034015000	SHIFT LOCATION DRUM 85 SX 2003	1
16	0025060256	HH COLLAR SCREW M6X25 TX30	1
17	0402061200	NEEDLE ROLLER DIN5402 NRB 6X12	3
18	46034019052	SPRING SHIFT RAIL 2001	4
19	47034019000	SHIFTING RAIL 85 SX 2003	1
20	46034020100	SHIFT RAIL 2001	1
21	0625618050	BALL BEARING 61805 C3	1
23	46034023100	LOCKING LEVER SPRING 2001	1
24	46034024100	LOCKING LEVER CPL. 65 SX 2002	1
25	0025080206	HH COLLAR SCREW M8X20 TX40	1
26	47034052000	SLEEVE LOCKING LEVER	x
29	47034029000	ARRESTER FOR SPRING 2003	1
30	0933060205	HH SCREW DIN933 M6x20 10.9	1
31	47034031000	SHIFT LEVER 85 SX 2003	1
32	0760142460	SHAFT SEAL RING 14X24X6 B	1
33	54632095000	NEEDLE BEAR.HK 1412 14X20X12	2
34	47033043000	STOP DISC 15X25X0,5	1
41	50233041000	PAIR OF WASHERS M 6 NORDLOCK	1
50	50232050001	STEEL WASHER 6,4X17X3	1

124703410

C134703410

* NEW PART X ON DEMAND



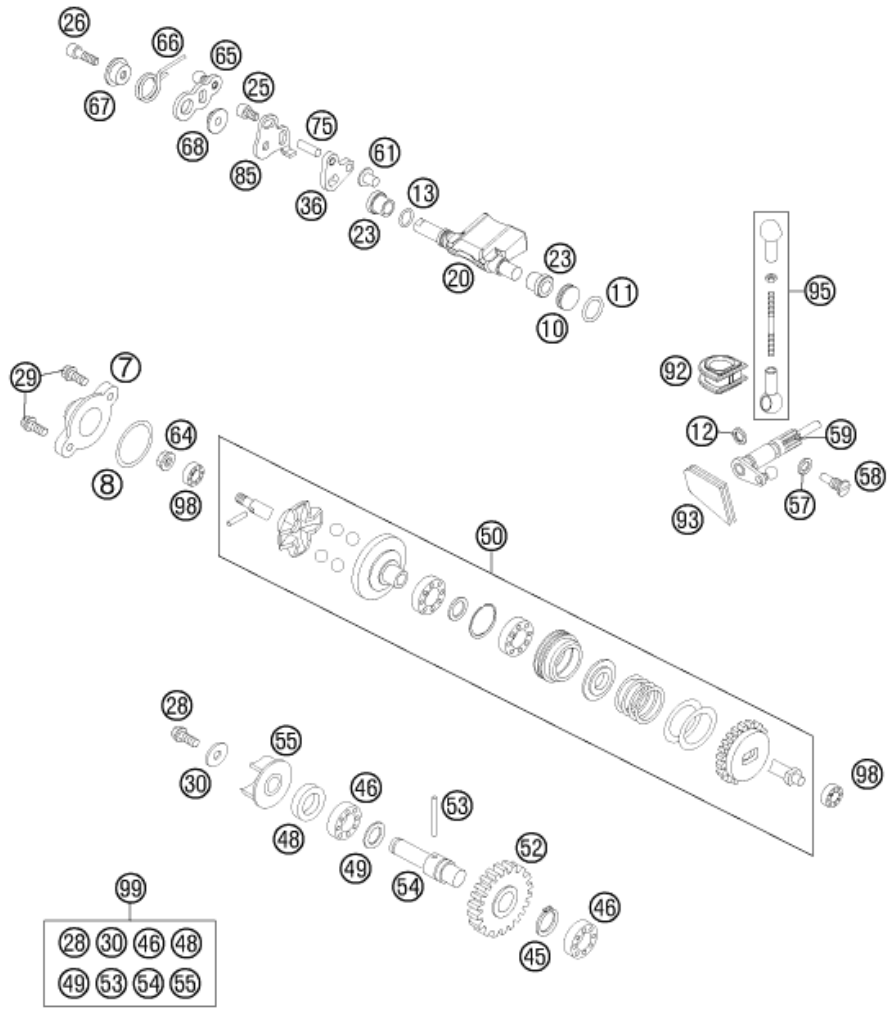
POS	PARTNUMBER	PARTNAME	PIECE
7	47135007000	RADIATOR L/S	1
8	47135008000	RADIATOR R/S	1
9	72035016000	RADIATOR CAP 1,8 BAR	1
20	10001020000	HOSE CLAMP GEMI 16-27	6
24	47135025033	RADIATOR HOSE CPL. TOP	1
25	47135028033	RADIATOR HOSE BELOW	1
34	4713503400030	RADIATOR PROTECTOR L/S	1
35	46235034000	RADIATOR PROTECTOR 65 SX 2009	1
43	41001052000	RUBBER SLEEVE D=12MM	4
45	0024060123	COLLAR SCREW M6X12 TX	4

134703530

C144713530

* NEW PART

X ON DEMAND

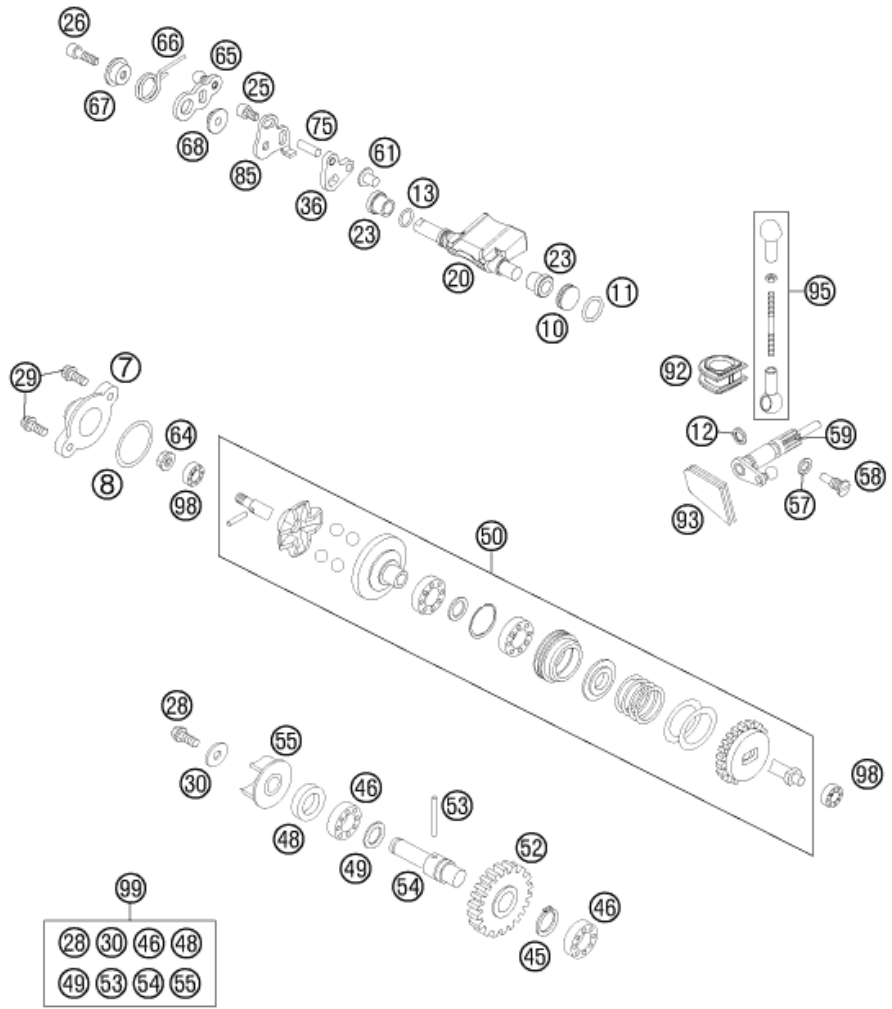


POS	PARTNUMBER	PARTNAME	PIECE
7	54637070200	CLOSING COVER 2003	1
8	0770020200	O-RING 21,95X1,78 NBR	1
10	47037010000	CLOSING COVER 85 SX 2003	1
11	0770120020	O-RING 12,00X2,00 NBR 70	1
12	54632090000	SEAL RING DH/GR 12X16X3	1
13	0770008015	O-RING 8,00X1,5	1
20	47137020000	CONTROL FLAP	1
23	47037023000	BEARING SLEEVE 85 SX 2003	2
25	0912050063	AH SCREW DIN 912 M 5X6	1
26	0912050163	AH SCREW DIN0912-M 5X16	1
28	0015050123	HH COLLAR SCREW M 5X12 WS=8	1
29	0015050203	HH COLLAR SCREW M 5X20 WS=8	2
30	0349000050	WASHER DIN7349-5X15X2	1
36	47037036000	DRIVER SHEET 85 SX 2003	1
45	0471100010	CIRCLIP DIN0471-10X1	1
46	0625006087	GROOVED BALL BEAR. 608 2RS C3	2
48	0760082472	SHAFT SEAL RING 8X24X7 A DUO	1
49	54334015000	WASHER 10X14X0,5 STEEL	1
50	47037050044	CENTRIFUGAL TIMER CPL. 03	1
52	47035054026	WATER PUMP GEAR 2003	1
53	47035058000	PIN 2X22	1
54	47035054000	WATER PUMP SHAFT 85 SX 2003	1
55	47035055000	WATER PUMP WHEEL 85 SX 2003	1
57	0603040801	COPPER GASKET DIN7603- A4X8X1	1
58	47037058000	LOCK SCREW CONTROL SHAFT 03	1
59	47037057100	CONTROL SHAFT 85 SX 06	1
61	47035061000	SCREW M6X8	1
64	56509064100	SELF LOCKING NUT M6 10.9	1
65	47037065000	CONTROL LEVER 85 SX 2003	1
66	54637066000	OVERLOAD SPRING	1
67	47037067000	SPRING SLEEVE 85 SX 2003	1
68	47037068000	BEARING SLEEVE 85 SX 2003	1
75	0007050180	CYLINDER PIN DIN 7-5X18(M6)	1
85	47137086000	STOP PLATE	1
92	47137091000	GASKET RUBBER	1
93	47037093000	GASKET RUBBER BOTTOM 85 SX	1
95	47037095044	CONNECT. ROD CPL. 85 SX 03	1

134703710

C144713710

* NEW PART X ON DEMAND

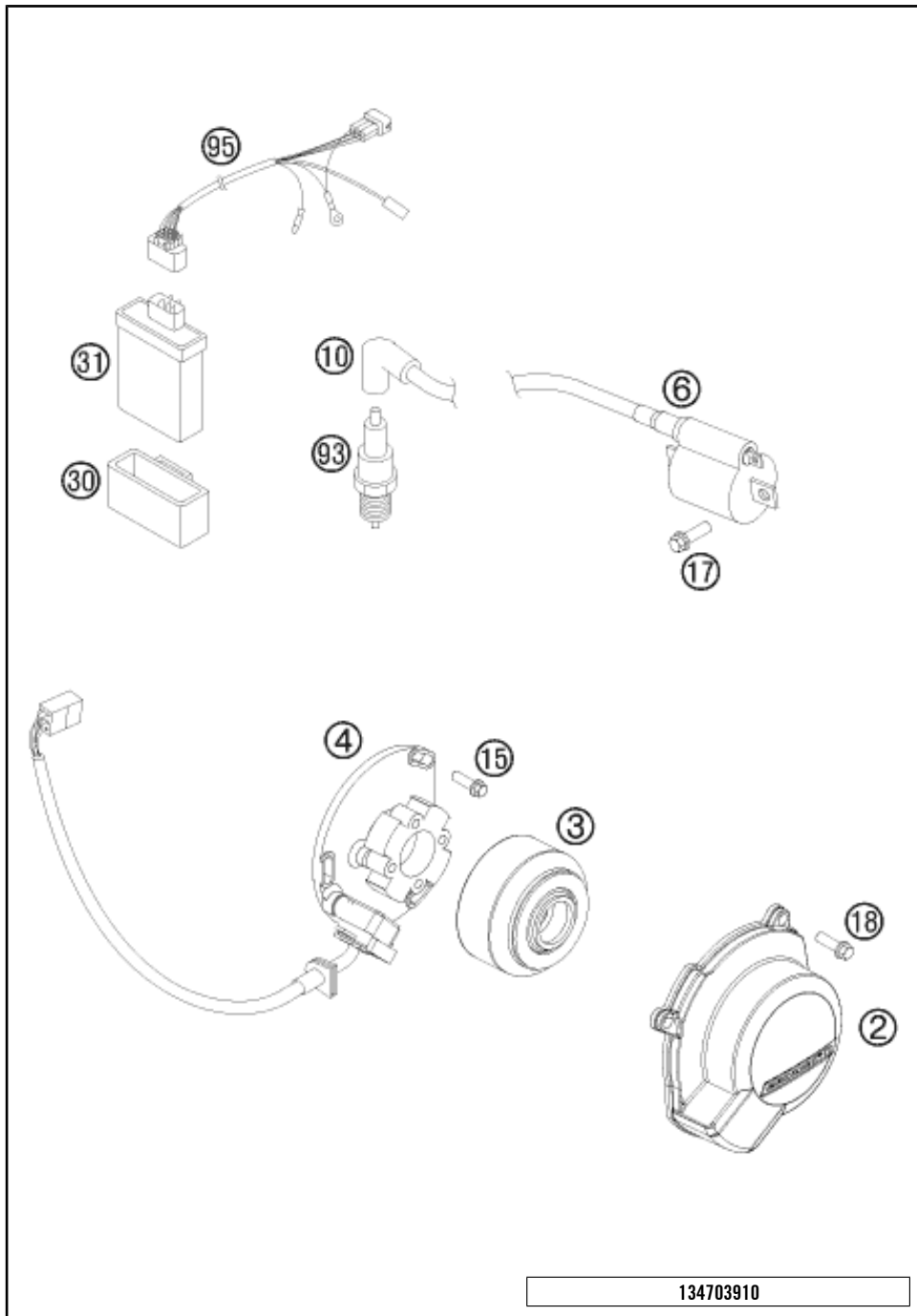


POS	PARTNUMBER	PARTNAME	PIECE
98	54637098100	BALL BEARING 626LLBC3/5K	2
99	47035055010	WATER PUMP REP. KIT 85 SX	1

134703710

C144713710

* NEW PART X ON DEMAND



POS	PARTNUMBER	PARTNAME	PIECE
2	47030002100	IGNITION COVER	1
3	46139005000	ROTOR 65 SX 2003	1
4	46139004000	STATOR 65/85 SX 2003	1
6	46139006100	IGNITION COIL CPL. 65 SX 2003	1
10	47039090000	SPARK PLUG CAP NGK REINFORC.04	1
15	0015050163	HH COLLAR SCREW M 5X16 WS=8	3
17	0015060163	HH COLLAR SCREW M 6X16 WS=8	2
18	0015060203	HH COLLAR SCREW M 6X20 WS=8	3
30	46139030000	RUBBER BR. DIGI.BOX 65SX 2003	1
31	47039031000	CDI UNIT 85 SX 2003	1
93	51539093000	SPARK PLUG BR9ECMVX	1
95	46139095000	WIRING HARNESS 65 SX 2003	1

134703910

C144713910

* NEW PART X ON DEMAND

A large, empty rectangular box with a thin black border, occupying the majority of the page. It is intended for handwritten or typed notes.

A large, empty rectangular box with a thin black border, occupying the majority of the page. It is intended for handwritten or typed notes.

A large, empty rectangular box with a thin black border, occupying the majority of the page. It is intended for handwritten or typed notes.



3CM080405NEN



Husqvarna Motorcycles GmbH
Stallhofnerstraße 3 | 5230 Mattighofen | Austria
www.husqvarna-motorcycles.com



THE PIONEERS OF MOTOCROSS