

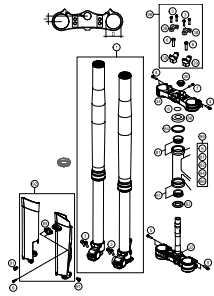
SPAREPARTSCATALOG

CHASSIS

ART.-NR.: 3CFF2275N4EN

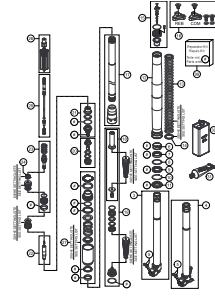
FE 350 US 2014

FRONT FORK, TRIPLE CLAMP



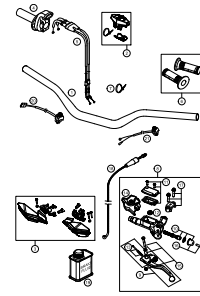
4

FRONT FORK DISASSEMBLED



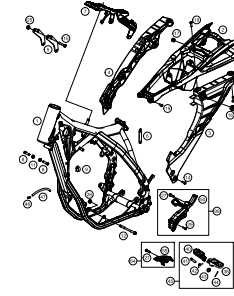
5

HANDLEBAR, CONTROLS



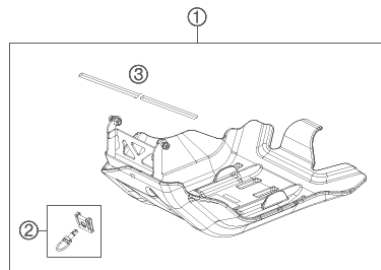
7

FRAME



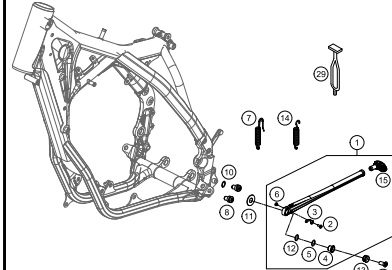
8

ENGINE GUARD



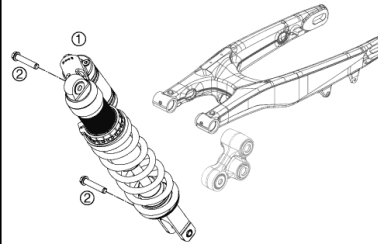
9

SIDE / CENTER STAND



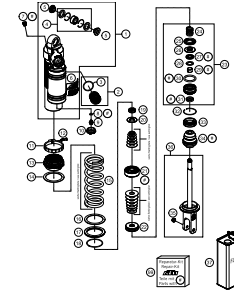
10

SHOCK ABSORBER



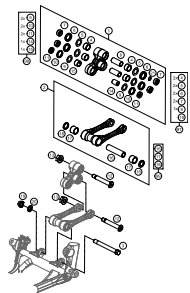
11

SHOCK ABSORBER DISASSEMBLED



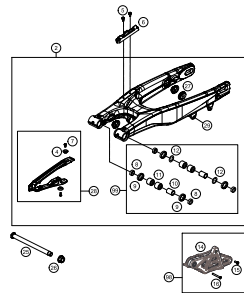
12

PRO LEVER LINKING



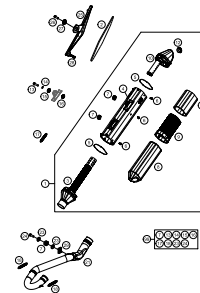
14

SWING ARM



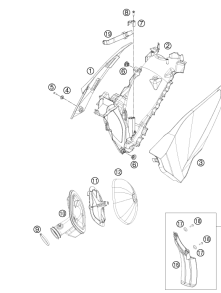
15

EXHAUST SYSTEM



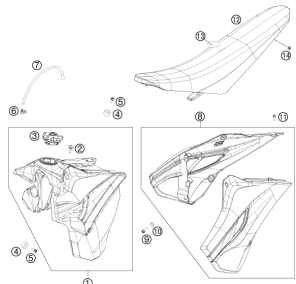
16

AIR FILTER



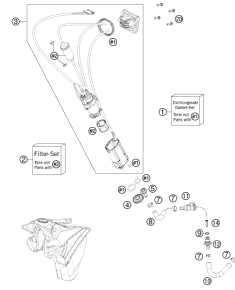
17

TANK, SEAT, COVER



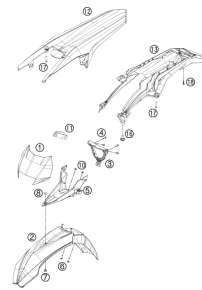
18

FUEL PUMP



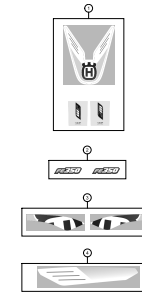
19

MASK, FENDERS



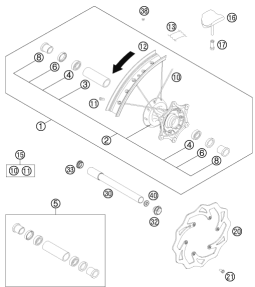
20

DECAL



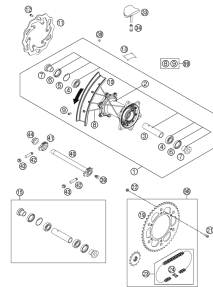
21

FRONT WHEEL



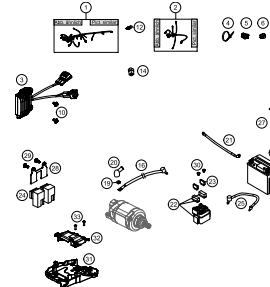
22

REAR WHEEL



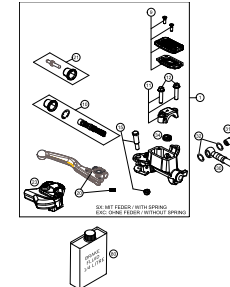
23

WIRING HARNESS



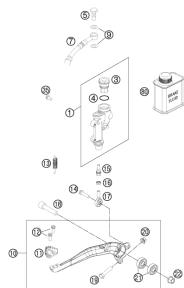
24

HAND BRAKE CYLINDER



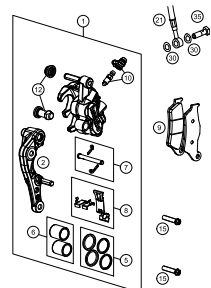
25

REAR BRAKE CONTROL



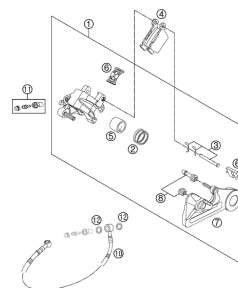
26

BRAKE CALIPER FRONT



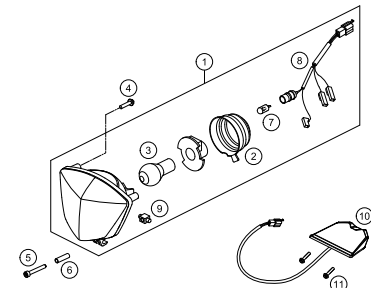
27

BRAKE CALIPER REAR



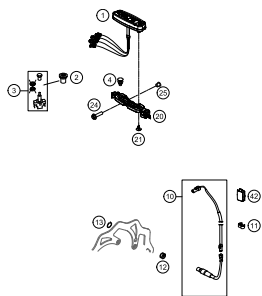
28

LIGHTING SYSTEM



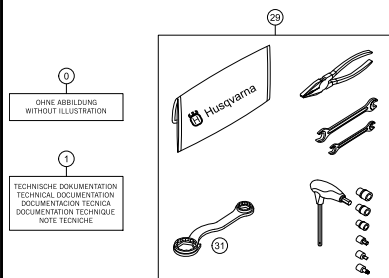
29

INSTRUMENTS / LOCK SYSTEM



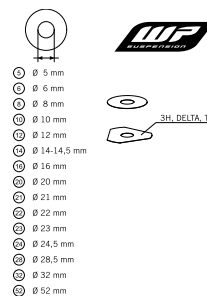
30

ACCESSORIES KIT



31

WP SHIMS FOR SETTING

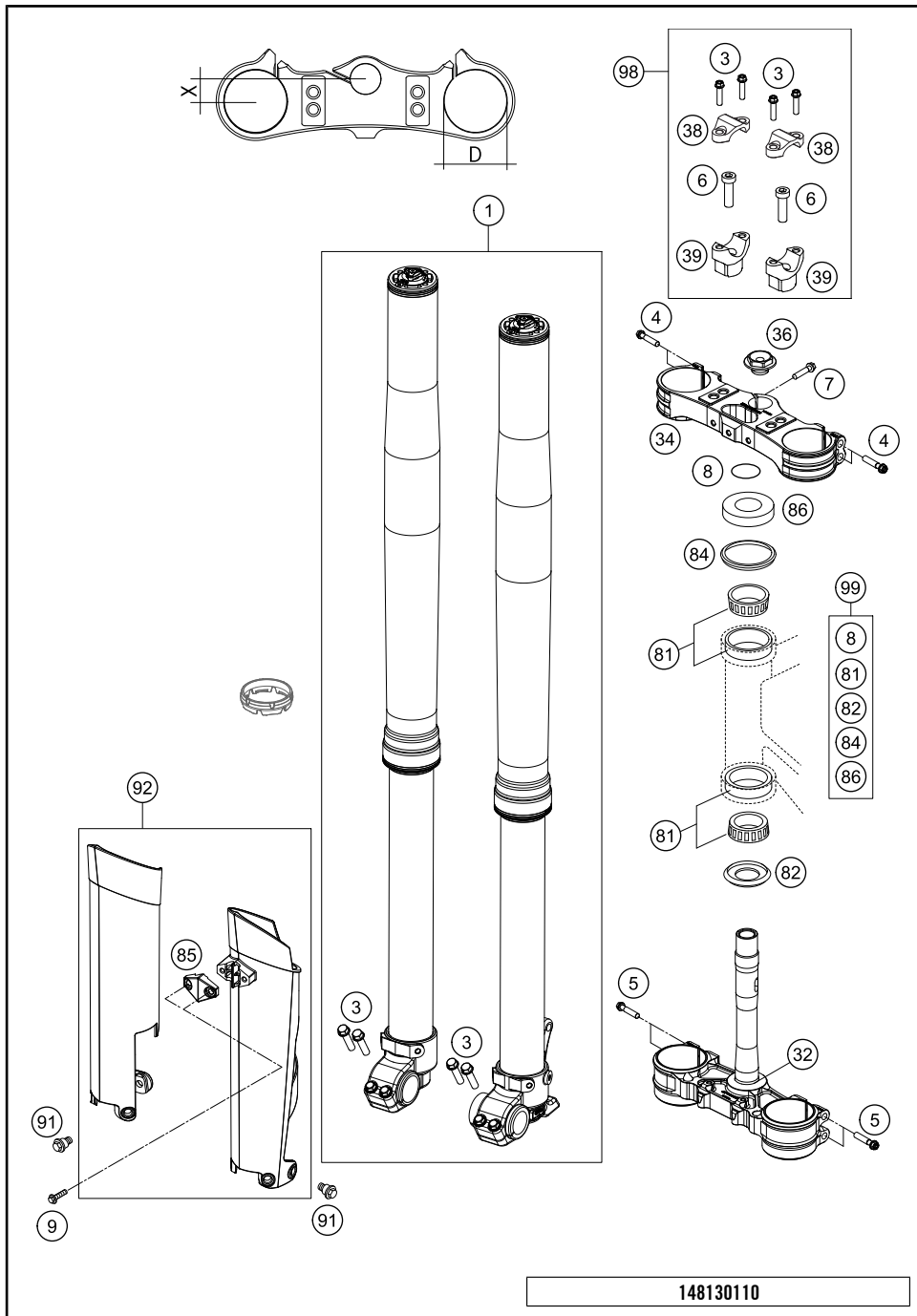


32



All information contained is without obligation. HUSQVARNA MOTORCYCLES GmbH particularly reserves the right to modify any equipment, technical specifications, prices, colors, shapes, materials, services, service work, constructions, equipment and the like so as to adapt them to local conditions or to cancel any of the above items, all without previous announcement and without giving reasons. KTM may stop manufacturing certain models without previous notice. HUSQVARNA MOTORCYCLES shall not be held liable for any deviations of availability and/or ability to deliver, illustrations, descriptions, printing and/or other errors. The illustrated models partly contain extra equipment, which is not applied to standard models.

© by HUSQVARNA MOTORCYCLES GmbH, Mattighofen AUSTRIA; All rights reserved; Reprint, also in extracts, with written allowance of HUSQVARNA MOTORCYCLES GmbH, Mattighofen only.

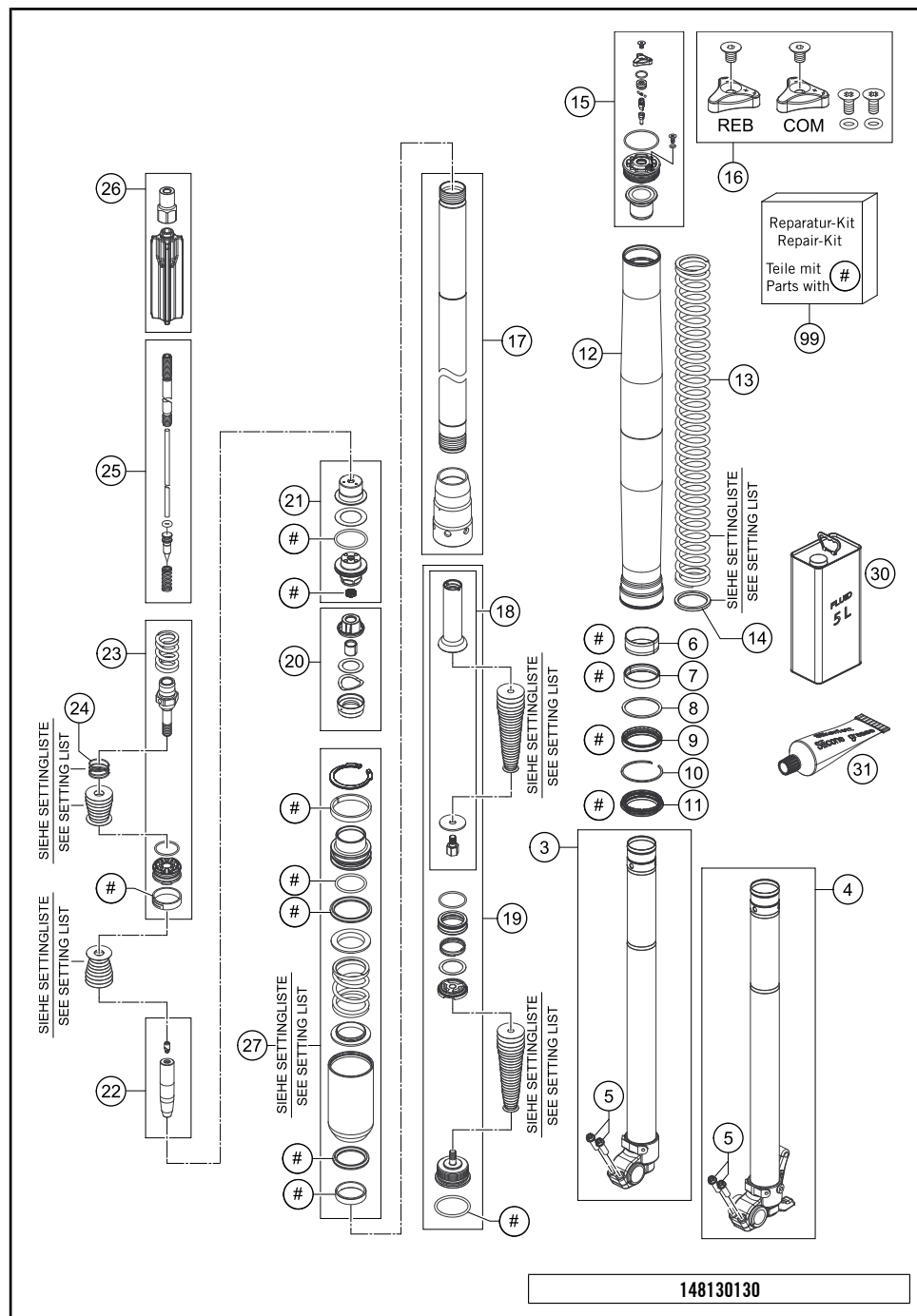


| POS | PARTNUMBER | PARTNAME | PIECE |
|-----|---------------|--------------------------------|-------|
| 1 | 24187N6701 | FORK 250/300 2014 | 1 |
| 3 | 0025080256 | HH COLLAR SCREW M8X25 TX40 | 8 |
| 4 | 0025080406 | HH COLLAR SCREW M8X40 TX40 | 4 |
| 5 | 0025080506 | HH COLLAR SCREW M8X50 TX40 | 4 |
| 6 | 0032100356S | AH-COLLAR SCREW M10X35 ISA45 | 2 |
| 7 | 0025080256S | HH COLLAR SCREW M8X25 TX40 | 1 |
| 8 | 0770025035 | O-RING 25X3,55 NBR70 05 | 1 |
| 9 | 0017060206 | SCREW F. PLASTIC K60X20AL SW6 | 2 |
| 32 | 8130103202030 | BOT.TRIPLE CLAMP CPL. X=20MM | 1 |
| 34 | 7720103402030 | TOP TRIPLE CLAMP X=20MM BLACK | 1 |
| 36 | 54801036000 | STEER.HEAD SCREW M20X1,5 WS=27 | 1 |
| 38 | 77201038000 | HANDLEBAR CLAMP 28MM | 2 |
| 39 | 59401039032 | HANDLEB.SUPP. D=28MM H=32MM 05 | x |
| 39 | 59401039037 | HANDLEB.SUPP. D=28MM H=37MM 05 | 2 |
| 39 | 59401039042 | HANDLEB.SUPP. D=28MM H=42MM 05 | x |
| 81 | 54201081100 | TAPERED ROLLER BEARING CPL. 06 | 2 |
| 82 | 54601084100 | O-RING SUPPORT W. SEALING LIP | 1 |
| 84 | 54601184000 | STEERING HEAD GASKET TOP | 1 |
| 85 | 78001085000DA | CLAMP FOR SPEED CABLE D=6MM 08 | 1 |
| 86 | 78101086000 | STEERING HEAD COVER | 1 |
| 91 | 59001092050 | SPECIAL SCREW M6X12,5 WS=8 | 6 |
| 92 | 78001094200DA | FORK PROTECTION L/S+R/S 2014 | 1 |
| 98 | 00050000921 | HANDLEBAR SUPPORT KIT D28/H37 | x |
| 99 | 00050000930 | STEERING HEAD REP. KIT 06-14 | x |

148130110

C148130114

* NEW PART X ON DEMAND

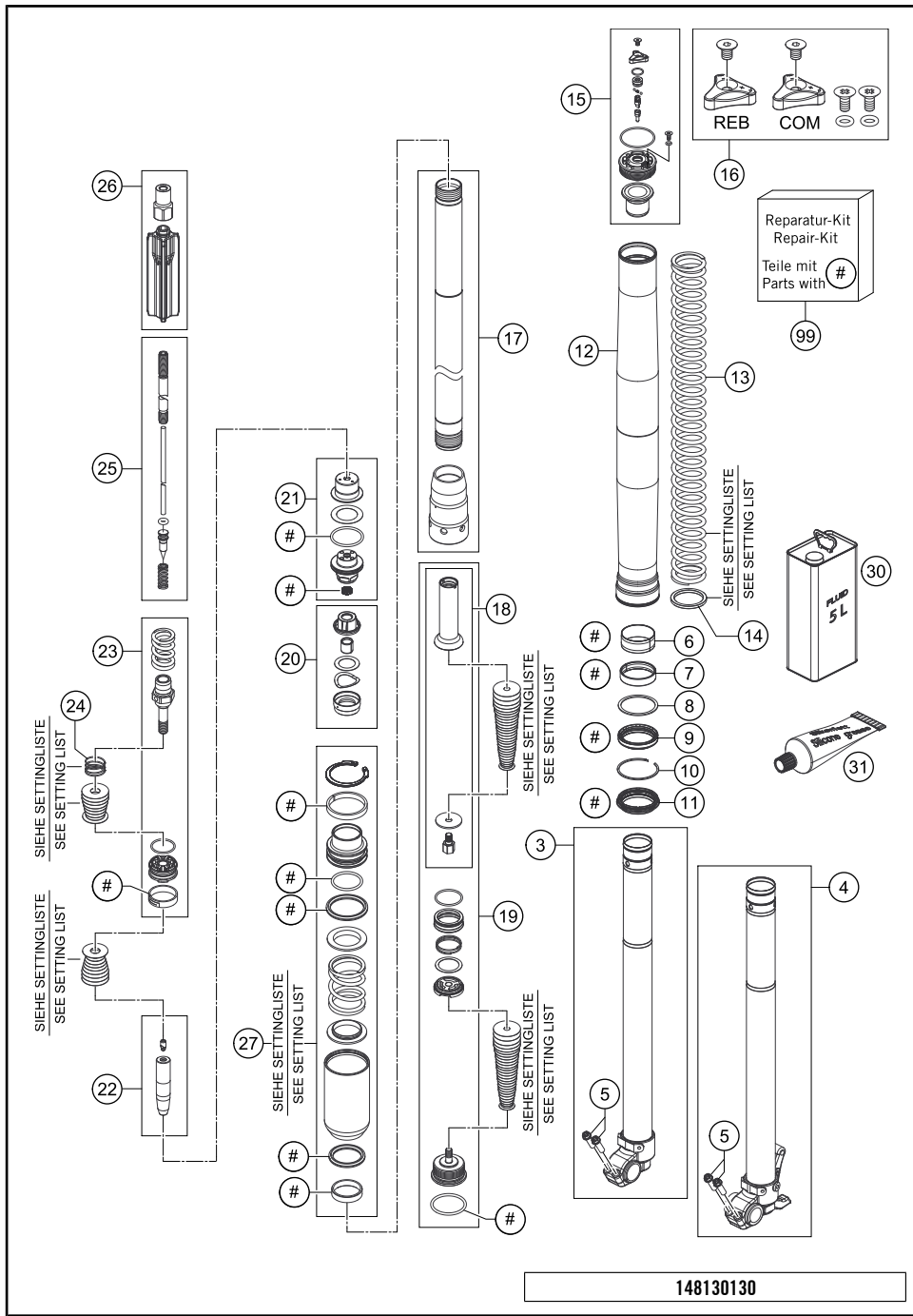


| POS | PARTNUMBER | PARTNAME | PIECE |
|-----|------------|--------------------------------|-------|
| 3 | 48601029S1 | AXLE CLAMP R/S WITH INNER TUBE | 1 |
| 4 | 48601028S1 | AXLE CLAMP L/S WITH INNER TUBE | 1 |
| 5 | 0025080256 | HH COLLAR SCREW M8X25 TX40 | 4 |
| 6 | 48601008 | GUIDING BUSH 47X49X20 R11 | 2 |
| 7 | 48601009 | GUIDING BUSH 48X52X12 R11 | 2 |
| 8 | 48600013 | SUPPORT RING 50 X 57,6 X 1,5 | 2 |
| 9 | 48601179 | OIL SEALRING D48X57,9X11,4 RED | 2 |
| 10 | 48600070 | LOCK WASHER SB58 | 2 |
| 11 | 48601178 | DUST SEAL DL48X58,4X5,7 RED | 2 |
| 12 | 48600736 | OUTER TUBE L577 D54/60MM 2L | 2 |
| 13 | 91410081S | SPRING D43,8 L465 3,6N/MM SET | x |
| 13 | 91410082S | SPRING D43,8 L465 3,8N/MM SET | x |
| 13 | 91410083S | SPRING D43,8 L465 4,0N/MM SET | x |
| 13 | 91410084S | SPRING D43,8 L465 4,2N/MM SET | x |
| 13 | 91410085S | SPRING D43,8 L465 4,4N/MM SET | x |
| 13 | 91410086S | SPRING D43,8 L465 4,6N/MM SET | x |
| 13 | 91410092S | SPRING D43,8 L465 4,8N/MM SET | x |
| 14 | 48600456 | SPACER 43X35X2,5 | x |
| 14 | 48600458 | SPACER 43X35X1,5 | x |
| 15 | 48601116S | SCREW CAP M51X1,5 COMP. KPL | 1 |
| 15 | 48601050S | SCREW CAP M51X1,5 REB. KPL | 1 |
| 16 | R14033 | SCREW CAP SMALL PART KIT | 1 |
| 17 | 48601031S | CARTRIDGE KIT | 2 |
| 18 | R14034 | HYDROSTOP KIT | 2 |
| 19 | 48601279S | BASE VALVE KIT | 2 |
| 20 | 48601025S1 | CHECK VALVE D21 CPL. | 2 |
| 21 | R14035 | SCREW SLEEVE KIT | 2 |
| 22 | 48601123S | NEEDLE KIT | 2 |
| 23 | R14036 | TAP KIT | 2 |
| 24 | 48600382 | SHUTTLE VALVE SPRING C=0,4 | 2 |
| 25 | 48601054S | PISTON ROD CPL. | 2 |
| 26 | 48601035S | SPRING GUIDE CPL. | 2 |
| 27 | 48601021S | PRESSURE TANK L74,5 D36 S CPL. | x |
| 27 | 48601021S2 | PRESSURE TANK L74,5 D36 S2 CPL | x |
| 27 | 48601021S3 | PRESSURE TANK L74,5 D36 S3 CPL | x |
| 27 | 48601021S4 | PRESSURE TANK L74,5 D36 S4 CPL | x |
| 27 | 48601021S5 | PRESSURE TANK L74,5 D36 S5 CPL | x |
| 30 | 48601166S1 | FORK OIL SAE4 5L | 1 |

148130130

C148130131

* NEW PART X ON DEMAND

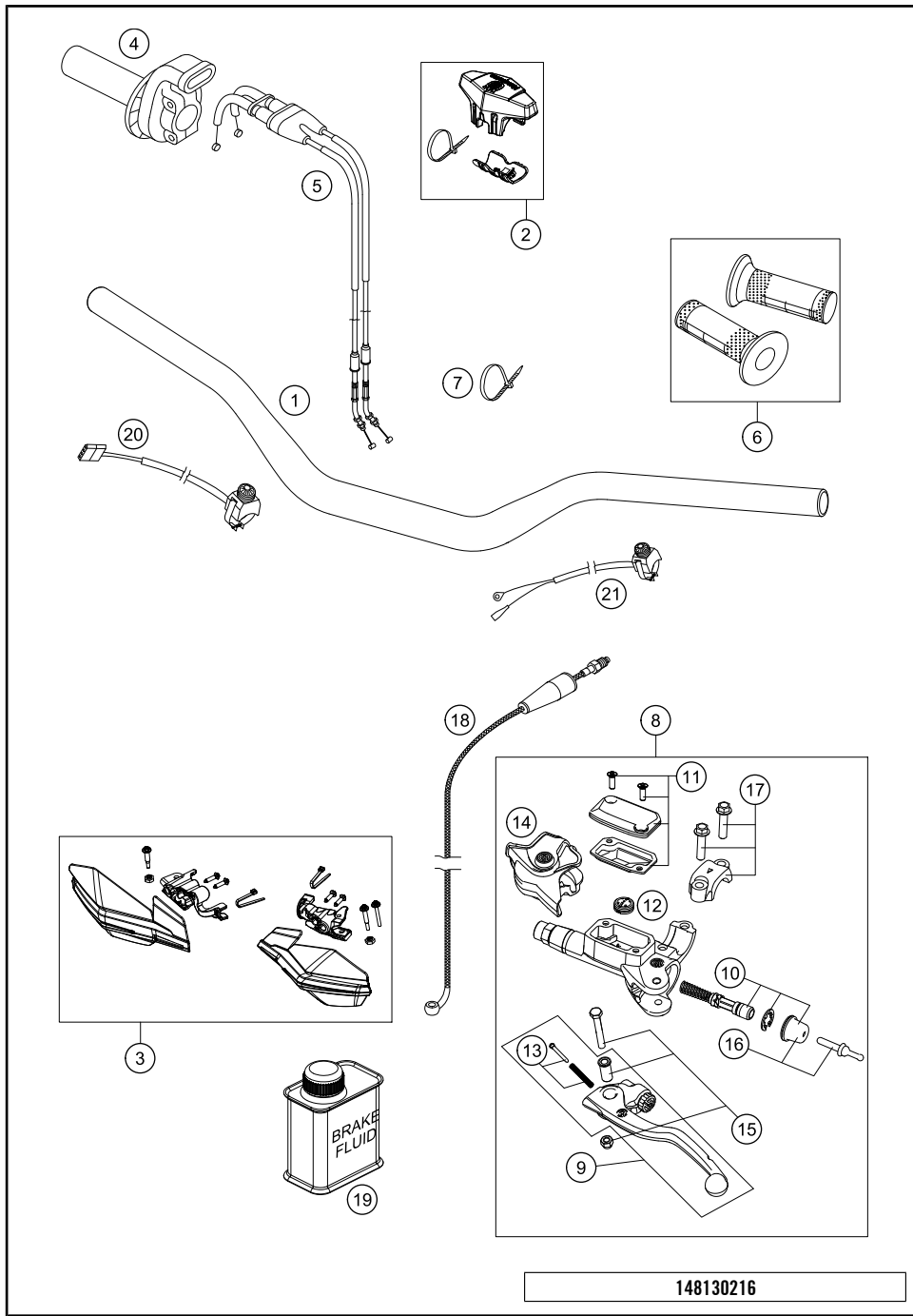


| POS | PARTNUMBER | PARTNAME | PIECE |
|-----|------------|------------------------------|-------|
| 31 | T511 | SILICONE GREASE F. DUST STRI | 1 |
| 99 | R24001 | REPAIR - KIT | X |

148130130

C148130131

* NEW PART X ON DEMAND



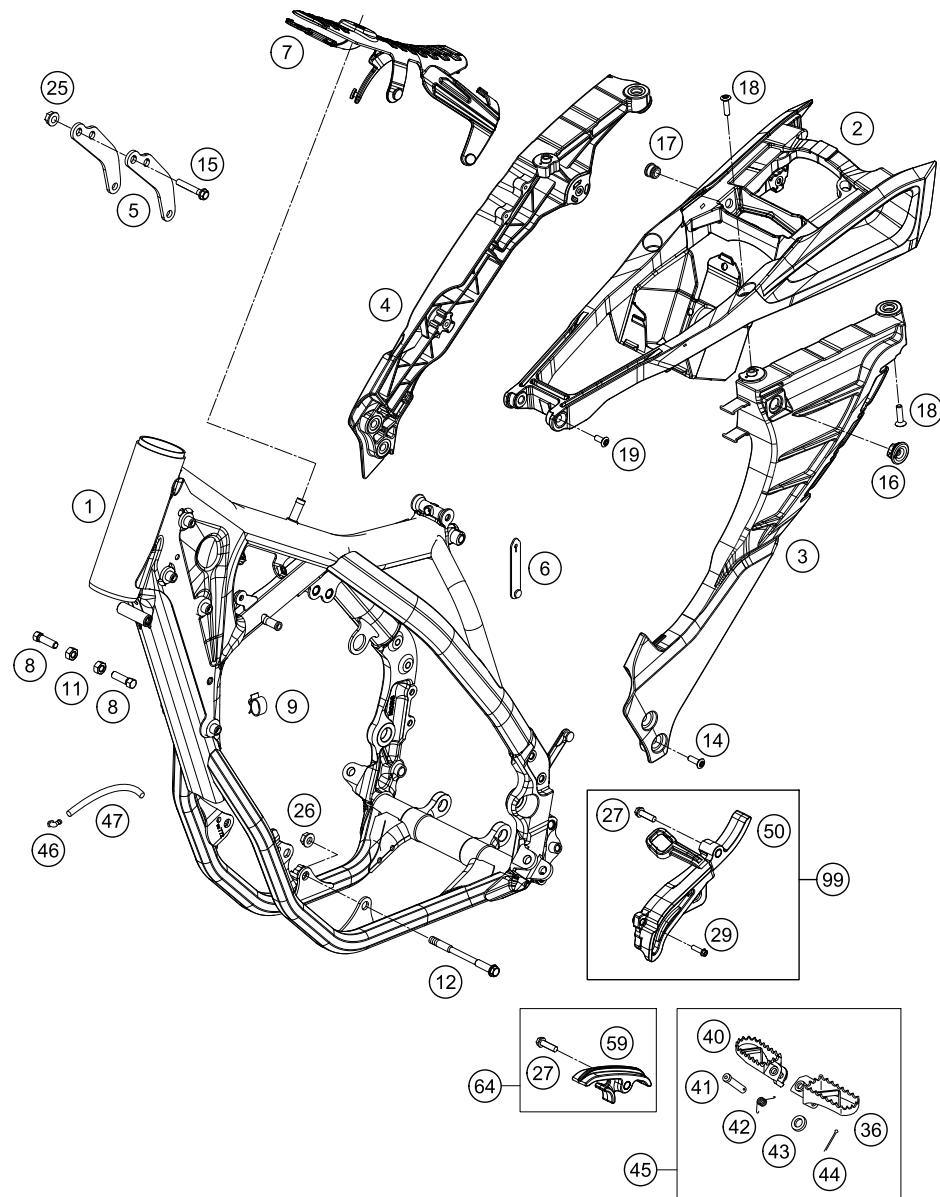
| POS | PARTNUMBER | PARTNAME | PIECE |
|-----|---------------|-----------------------------|-------|
| 1 | 7800200100017 | HANDLEBAR D=28MM | 1 |
| 2 | 80302602044 | BAR PAD CPL. | 1 |
| 3 | 7770207900028 | HANDGUARDS CPL. L+R WHITE | 1 |
| 4 | 78102010000 | THROTTLE GRIP CPL. | 1 |
| 5 | 78102091000 | THROTTLE CABLE 4T. 13 | 1 |
| 6 | 80302021000 | GRIP SET BLACK/WHITE | 1 |
| 7 | 44011076140 | CABLE TIE 140/2,5MM BLACK | x |
| 7 | 44011076200 | CABLE TIE 200/3,6MM BLACK | x |
| 8 | 54802030144 | MASTER CYLINDER CPL. | 1 |
| 9 | 54802031000 | CLUTCH LEVER CPL. BREMBO 06 | 1 |
| 10 | 54802032000 | REP. KIT PISTON 06 | 1 |
| 11 | 5480200310030 | COVER HYD. CLUTCH CPL. 2014 | 1 |
| 12 | 54802051000 | VALVE | 1 |
| 13 | 54802052000 | BOLT KPL. | 1 |
| 14 | 54802037000 | PROTECTION CAP 06 | 1 |
| 15 | 54802038100 | LEVER SCREW CPL. 06 | 1 |
| 16 | 54802046000 | PUSH ROD CPL. | 1 |
| 17 | 54802005100 | CLAMP CPL. 06 | 1 |
| 18 | 54832063000 | CLUTCH PIPE 06 | 1 |
| 19 | 00062030000 | BRAKE FLUID DOT5.1 0,25L | 1 |
| 20 | 78111074000 | STARTER BUTTON GREY 13 | 1 |
| 21 | 50311089200 | SHORT CIRCUIT BUTTON 02 | 1 |

148130216

C148130225

* NEW PART

X ON DEMAND



148130319

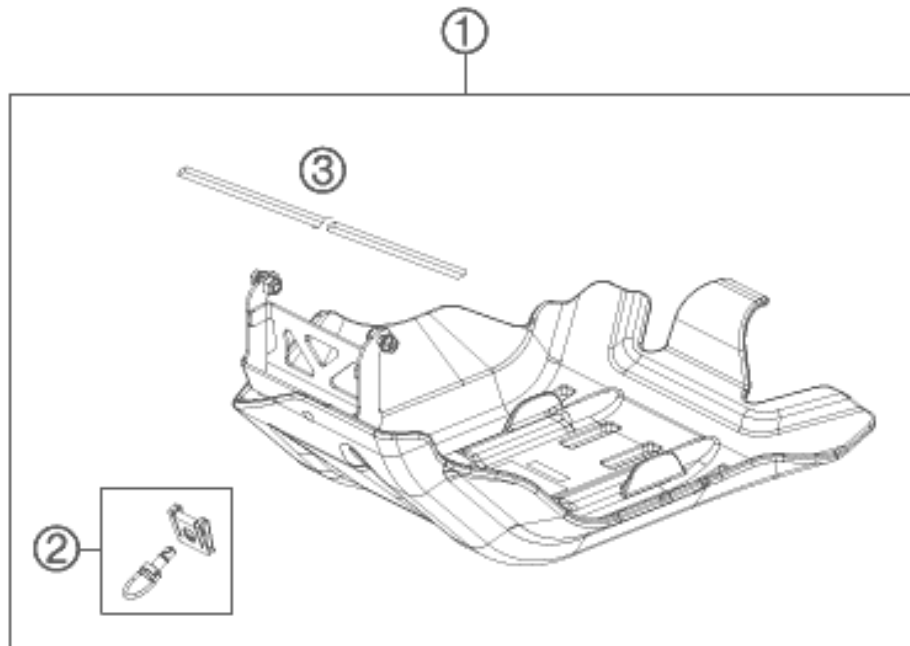
| POS | PARTNUMBER | PARTNAME | PIECE |
|-----|---------------|--------------------------------|-------|
| 1 | 8130350110028 | FRAME 250/350 FE USA 2014 | 1 |
| 2 | 8130300211030 | SUB FRAME UPPER PART CPL. 14 | 1 |
| 3 | 8130300212030 | SUB FRAME L/S CPL. 2014 | 1 |
| 4 | 8130300213030 | SUB FRAME R/S CPL. 2014 | 1 |
| 5 | 77703013000 | REINFORCING | 2 |
| 6 | 60011093075 | RUBBER CABLE TIE 75MM 03 | 1 |
| 7 | 77207012000 | TANK REST RUBBER | 1 |
| 8 | 59001037000 | SPECIAL SCREW M8X26 WS=10 | 2 |
| 9 | 58111076000 | CABLE SUPPORT KHS NR.150-47610 | 1 |
| 11 | 0934080003 | HEXAGON NUT DIN0934-M 8 | 2 |
| 12 | 77203014000 | ENGINE BRAC.SCR. M10X115 | 2 |
| 14 | 0035080206S | AH-COLLAR SCREW M8X20 ISA45 | 4 |
| 15 | 56530079000S | HH COLLAR SCREW M8X44 WS13 | 2 |
| 16 | 47106003160 | QUICK CONNECTOR CLUTCH | 3 |
| 17 | 81303002011 | SPACER BUSHING 12X9X6,2 | 2 |
| 18 | 0019080306S | COUNTER-SUNK SCREW ISA45 M8X30 | 4 |
| 19 | 0035080306S | AH-COLLAR SCREW M8X30 ISA45 | 2 |
| 25 | 06923080003 | HEXAGON NUT DIN EN1661 M8 SW13 | 3 |
| 26 | 54310086100 | SELF LOCKING NUT M10 CU WS=14 | 2 |
| 27 | 0025080306 | HH COLLAR SCREW M8X30 TX40 | 2 |
| 29 | 0025060256 | HH COLLAR SCREW M6X25 TX30 | 1 |
| 36 | 78003040050 | FOOTREST L/S 08 | 1 |
| 40 | 78003041050 | FOOTREST R/S 08 | 1 |
| 41 | 54803044000 | BOLT FOR FOOT PED 03 | 2 |
| 42 | 54603041000 | FOOTREST SPRING L/S & R/S | 2 |
| 43 | 0125100003 | WASHER DIN0125-A10,5 | 2 |
| 44 | 0094032253 | PIN DIN0094-3,2X25 STEEL | 2 |
| 45 | 78003040033 | FOOTREST L/S + R/S CPL. 09 | 1 |
| 46 | 50303089000 | ANGLE PIECE '97 | 2 |
| 47 | 55007016001 | PVC-HOSE 7X10 PER METER | 0 |
| 50 | 77203096000 | SPROCKET COVER 350 SX-F | 1 |
| 59 | 77203053000 | CHAIN SLIDING PIECE BELOW | 1 |
| 64 | 77203053010 | CHAIN SLIDING KIT BELOW CPL.11 | 1 |
| 99 | 77203096010 | SPROCKET COVER KIT | x |

C148130323

* NEW PART

X ON DEMAND

| POS | PARTNUMBER | PARTNAME | PIECE |
|-----|-------------|----------------------|-------|
| 1 | 77503190000 | SKID PLATE CPL. | 1 |
| 2 | 59003090350 | QUICK RELEASE 03 | 1 |
| 3 | 78103190030 | SHIMSTRIPE 1000X11X3 | 1 |

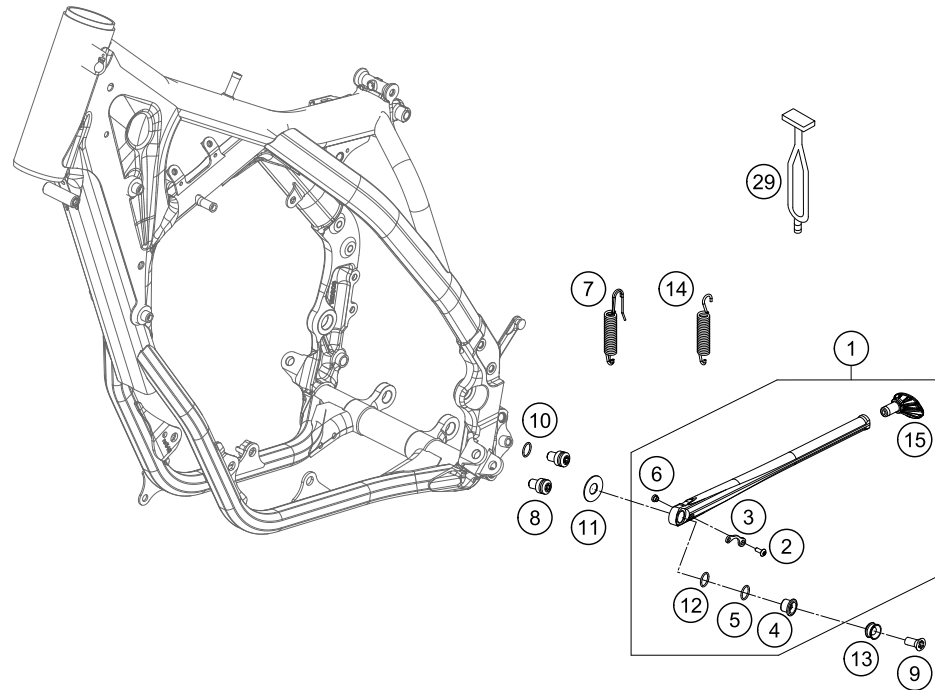


137750330

C138130333

* NEW PART

X ON DEMAND



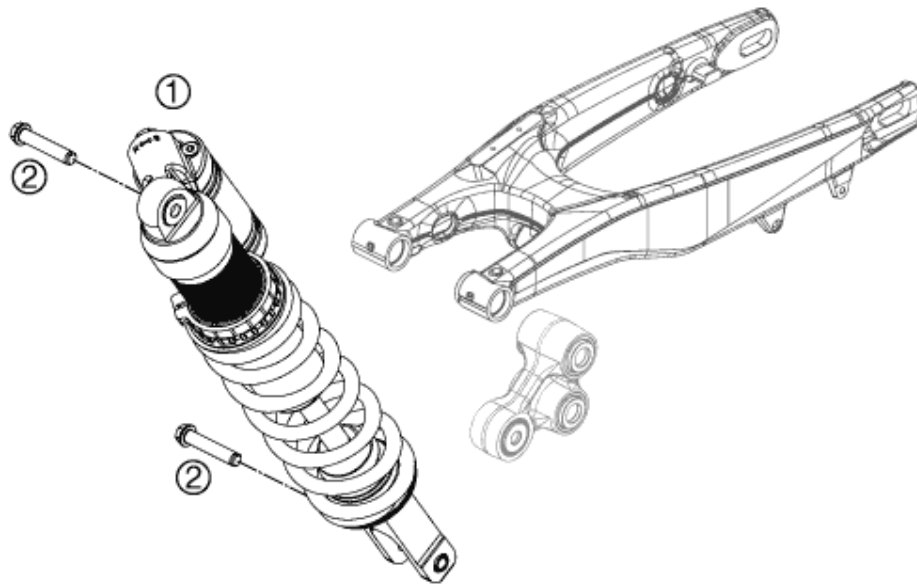
| POS | PARTNUMBER | PARTNAME | PIECE |
|-----|-------------|---|-------|
| 1 | 78003023044 | SIDE STAND CPL. 08 | 1 |
| 2 | 58605083014 | SCREW M5X14 TORX 25 07 | 1 |
| 3 | 78003023090 | SPRING BRACKET F. SIDE ST. 08 | 1 |
| 4 | 78003023080 | SIDE STAND BUSHING EXC USA 08 | 1 |
| 5 | 0770180020 | O-RING 18,00X2,00 NBR 70 | 1 |
| 6 | 78003023070 | SPACER BUSH. SPRING BRACKET | 1 |
| 7 | 81203024000 | SIDE STAND SPRING EYE MOVEABLE ONLY FOR EU/AUS | 1 |
| 8 | 78003023182 | SIDE STAND STOP SCREW M10X12 | 2 |
| 9 | 0019080266S | COUNTER-SUNK SCREW ISA45 M8X26 ONLY FOR 78003023081 | 1 |
| 9 | 0019080206S | FLAT HEAD SCREW M. ISA45 M8X20 | 1 |
| 10 | 0770120020 | O-RING 12,00X2,00 NBR 70 | 1 |
| 11 | 78003023083 | WASHER F. SIDE STAND 12,2X29,5 | 1 |
| 12 | 0770125015 | O-RING 12,5X1,5 NBR | 1 |
| 13 | 78003023081 | SIDE STAND BUSHING EXC-EU 08 | 1 |
| 14 | 78003024100 | SIDE STAND SPRING 08 ONLY FOR USA | 1 |
| 15 | 78003023155 | STAND BASE | 1 |
| 29 | 50303018000 | RUBBER L=145MM | 1 |

148130360

C148130360

* NEW PART

X ON DEMAND



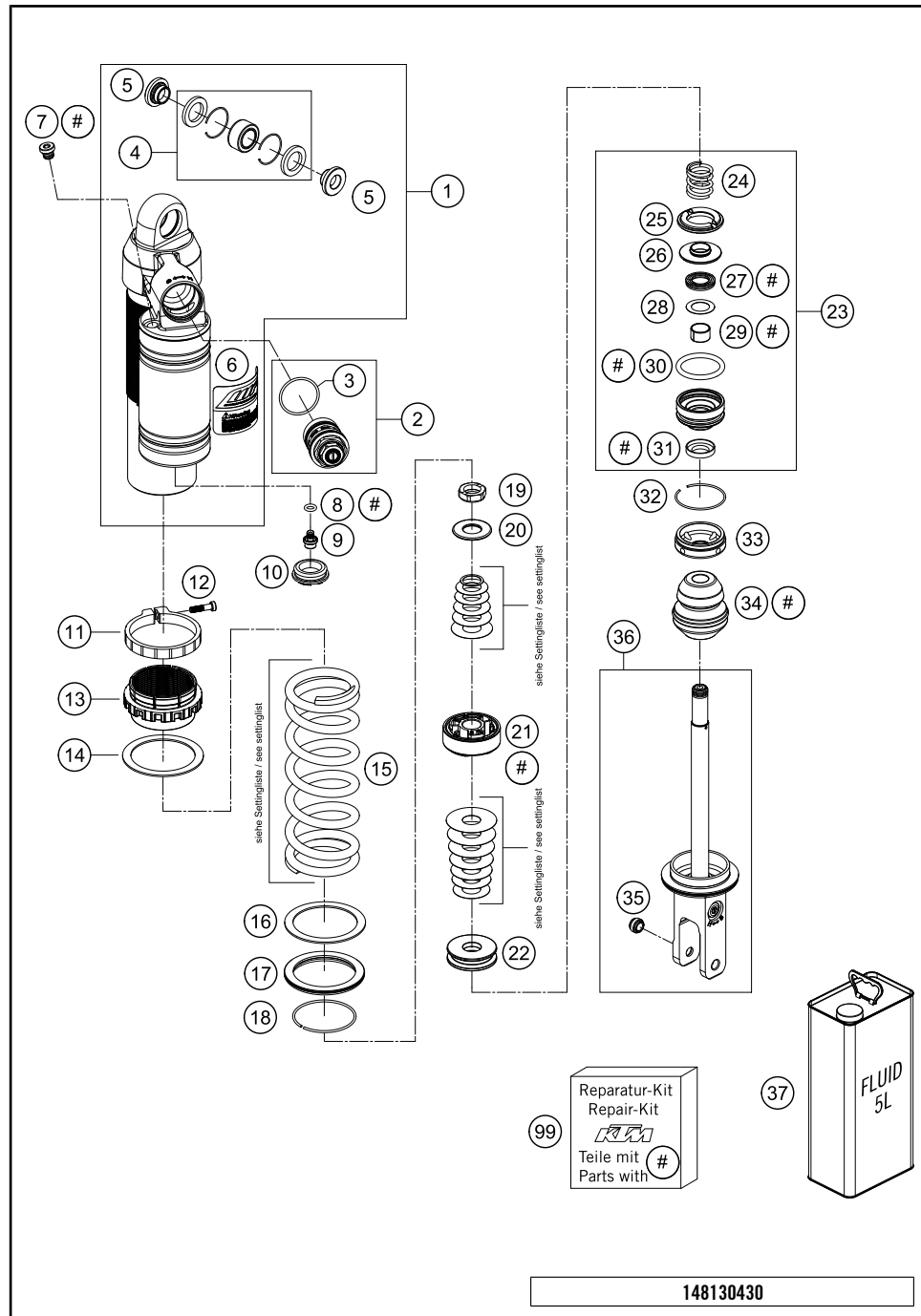
| POS | PARTNUMBER | PARTNAME | PIECE |
|-----|-------------|--------------------------------|-------|
| 1 | 18157N6701 | MONOSHOCK 250/350 FE LINK 2014 | 1 |
| 2 | 77204089000 | HH COLLAR SCREW M10X52 SW13 | 2 |

117710410

C148130411

* NEW PART

X ON DEMAND

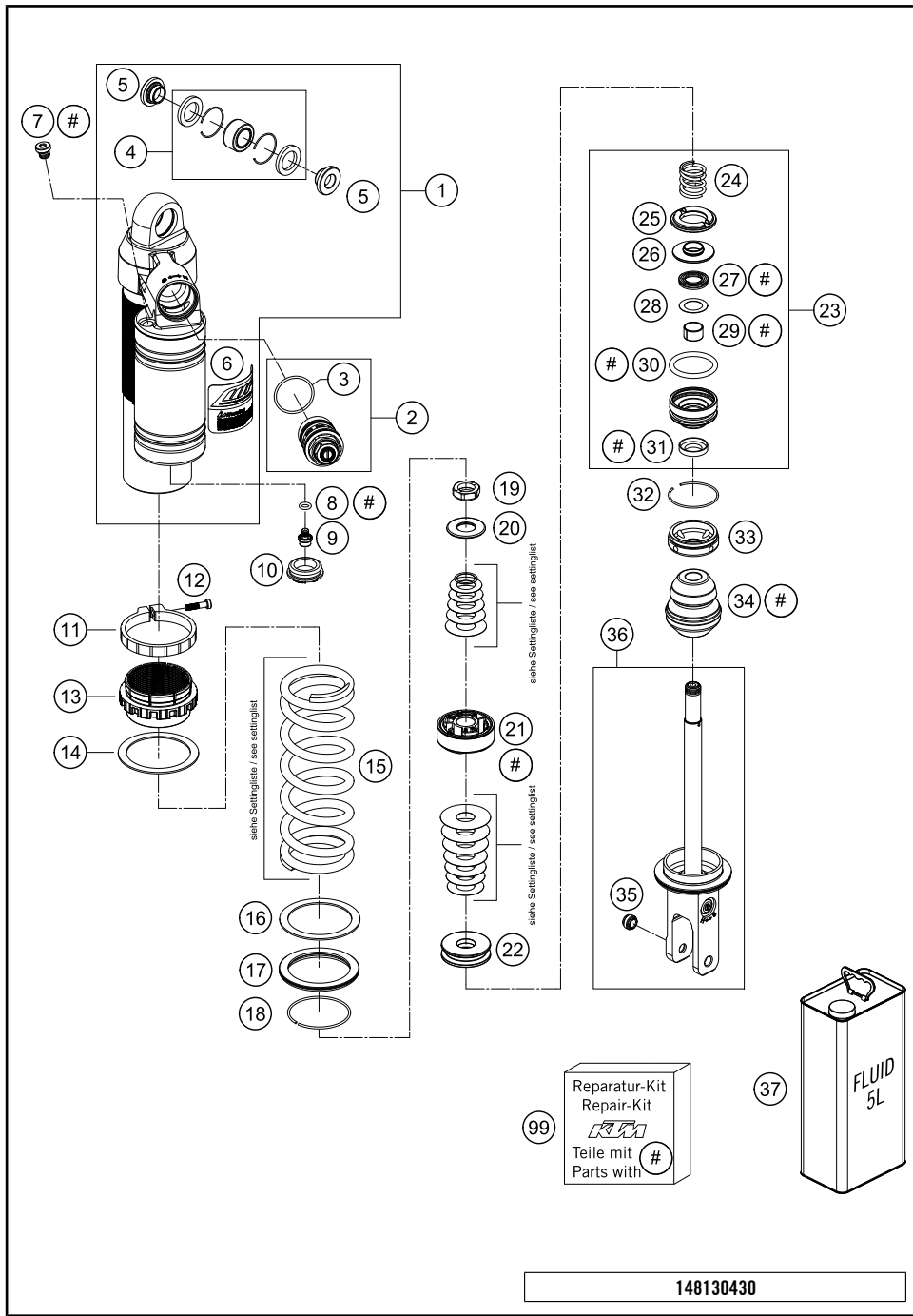


| POS | PARTNUMBER | PARTNAME | PIECE |
|-----|-------------|--------------------------------|-------|
| 1 | 50180944S1 | MONOSHOCK UPPER PART CPL. | 1 |
| 2 | 50180213S15 | DCC COMPR.DAMP.CON. SX 12 LINK | 1 |
| 3 | 50180218 | * O-RING 25X1,5 VITON | 1 |
| 4 | R12012 | REP. KIT BEAR./SEAL UP. 07 | 1 |
| 5 | 46180010 | BUSH KGW 10X24 | 2 |
| 6 | 52000087 | STICKER WP MONOSHOCK | 1 |
| 7 | 50180095 | BLEED PLUG R 1/8 | 1 |
| 8 | 46810893 | O-RING NBR 5,28X1,78 | 1 |
| 9 | 36120151 | SCREW PLUG M5X6 | 1 |
| 10 | 46811208 | RUBBER CAP "DO NOT OPEN" | 1 |
| 11 | 50180937 | TENSIONING RING D64 H10 | 1 |
| 12 | 14460042 | %ALLENHEAD SCREW M5 L=20 STAIN | 1 |
| 13 | 50180938 | ADJUSTING NUT PLASTIC | 1 |
| 14 | 50180965 | SPACER RING SPRING 61,3X78X3 | 1 |
| 15 | 91210102S | SPRING 260 51 N/MM | x |
| 15 | 91210103S | SPRING 260 54 N/MM | x |
| 15 | 91210104S | SPRING 260 57 N/MM | x |
| 15 | 91210105S | SPRING 260 60 N/MM | x |
| 16 | 50180793 | SPACER RING ADJUSTING NUT | 1 |
| 17 | 50180824 | VALVE SPRING D80 CLOSED | 1 |
| 18 | 50180273 | CIRCLIP 58,2X2 | 1 |
| 19 | 50180141 | PISTON ROD NUT M16X1 | 1 |
| 20 | 50180836 | REBOUND DISC 16X34 T2 H0 | 1 |
| 21 | 50180786S | PISTON D50 | 1 |
| 22 | 50180801 | REBOUND DISC D16X43 H8 | 1 |
| 23 | 50180603SA | ADAPTER D50 H28 CPL. | 1 |
| 24 | 50180780 | REBOUND SPRING | 1 |
| 25 | 50180798 | REBOUND RUBBER | 1 |
| 26 | 50180800 | SPRING RING | 1 |
| 27 | 50180605S | SEAL D18X30X5 08 | 1 |
| 28 | 50180604 | SHIM D29,75 X D19 X T0,4 08 | 1 |
| 29 | 46180119 | DU-BUSH 18X20X12 | 1 |
| 30 | 50180103 | O-RING 41X5 | 1 |
| 31 | 50180606 | DUST SEAL 1828 08 | 1 |
| 32 | 50180126 | CIRCLIP 53X1,75 | 1 |
| 33 | 50180626 | RESERVOIR CAP D=50 H=10 09 | 1 |
| 34 | 50181077 | BUMP RUBBER | 1 |
| 35 | 46811205 | ADAPTOR-BUSH M10x1,50, D=15 | 1 |

* NEW PART X ON DEMAND

SHOCK ABSORBER DISASSEMBLED

FE 350 US 2014

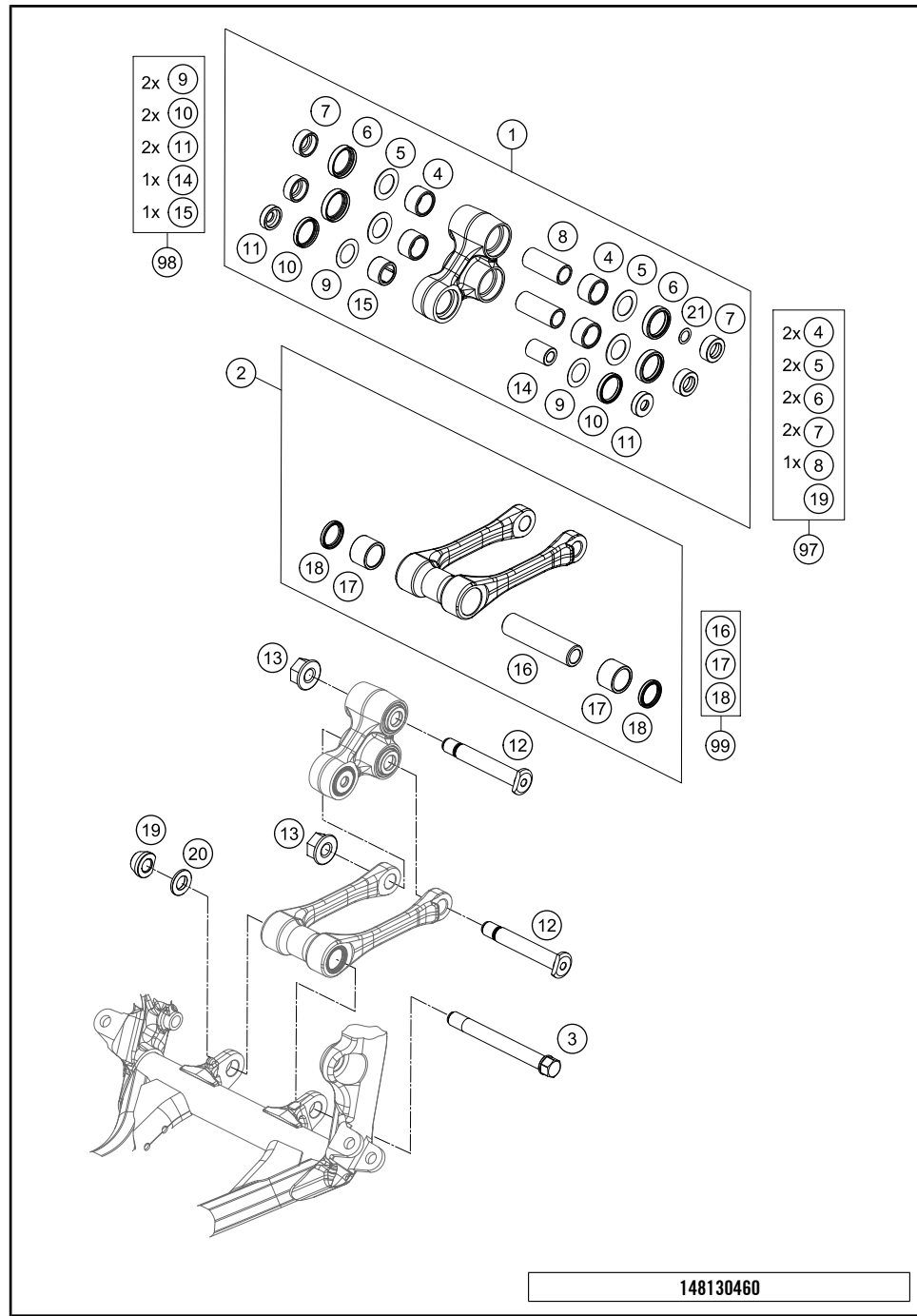


| POS | PARTNUMBER | PARTNAME | PIECE |
|-----|------------|----------------------------|-------|
| 36 | 50180773SA | MONOSHOCK BOTTOM PART CPL. | 1 |
| 37 | 50180751S1 | SHOCK ABSORBER FLUID 5 LT | 1 |
| 99 | R12022 | REPAIR KIT | X |

148130430

C148130431

* NEW PART X ON DEMAND



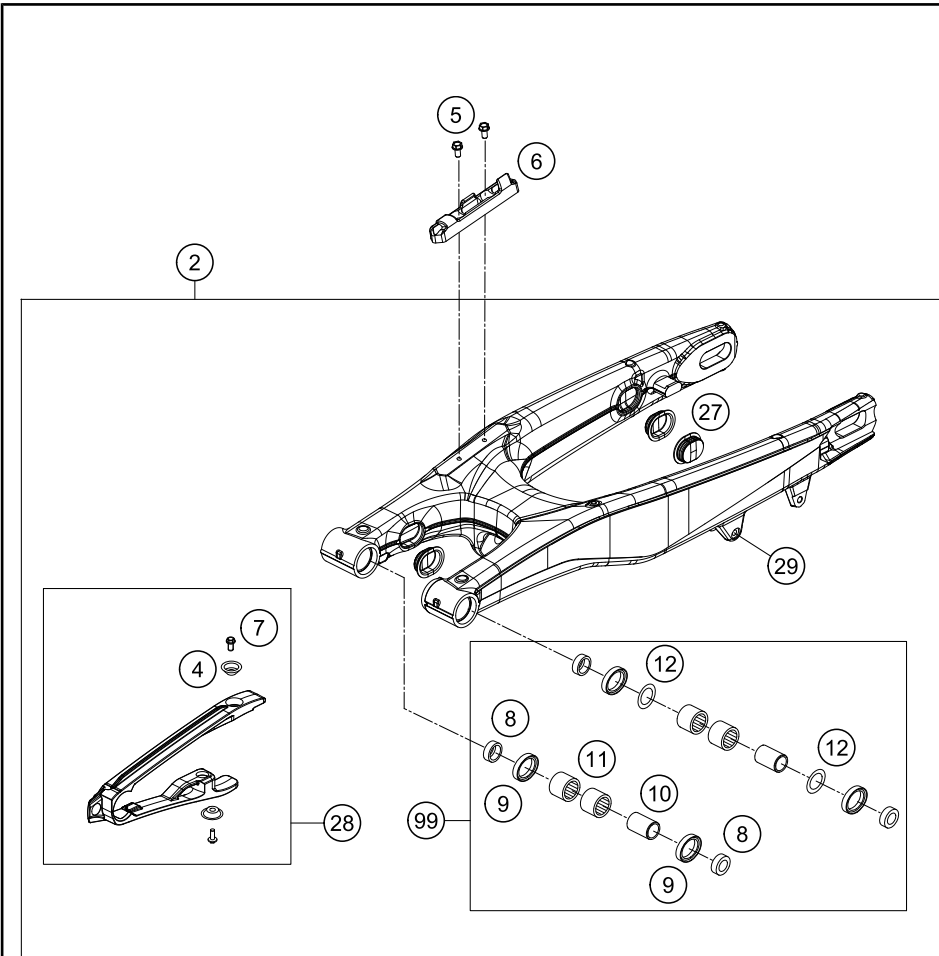
| POS | PARTNUMBER | PARTNAME | PIECE |
|-----|---------------|--------------------------------|-------|
| 1 | 7720408004401 | TRIANGLE LEVER CPL. | 1 |
| 2 | 7720408304401 | PULL ROD CPL. | 1 |
| 3 | 77404084000 | BOLT TIE-ROD BEARING M14 | 1 |
| 4 | 54603097000 | NEEDLE BUSH HK 2016 | 4 |
| 5 | 59033080000 | SHIM 20X32X1 | 4 |
| 6 | 0760253270 | SHAFT SEAL RING 25X32X7 | 4 |
| 7 | 77204080030 | BUCKET FOR SHAFT SEAL RING | 4 |
| 8 | 54603081000 | BUSHING SLEEVE 15 X 20 X 48 | 2 |
| 9 | 50180604 | SHIM D29,75 X D19 X T0,4 08 | 2 |
| 10 | 0760243050 | SHAFT SEAL RING 24X30X5 | 2 |
| 11 | 77204080020 | BUCKET FOR SHAFT SEAL RING | 2 |
| 12 | 77204085000 | BOLT FOR CANTILEVER M14 | 2 |
| 13 | 77204087000 | HEX NUT M14X1.5 SW17 | 2 |
| 14 | 77204080010 | BEARING SLEEVE 10X18X25,5 | 1 |
| 15 | 0618182416 | NEEDLE BUSH HN1816 RS 18/24/16 | 1 |
| 16 | 77204084010 | BEARING SLEEVE | 1 |
| 17 | 0618222820 | NEEDLE BEARING HK2220 22X28X20 | 2 |
| 18 | 0760222841 | SHAFT SEAL RING G22x28x4 | 2 |
| 19 | 77404084020 | NUT TIE-ROD BEARING | 1 |
| 20 | 77404084010 | WASHER TIE-ROD BEARING M14 | 1 |
| 21 | 54603090010 | STEEL WASHER 15,2X19X0,1 | x |
| 21 | 54603090020 | STEEL WASHER 15,2X19X0,2 | x |
| 21 | 54603090030 | STEEL WASHER 15,2X19X0,3 | x |
| 97 | 77204080110 | TRIANGLE LEVER REP. KIT REAR | x |
| 98 | 77204080090 | TRIANGLE LEVER REP. KIT FRONT | x |
| 99 | 77204083010 | PULL ROD REP. KIT SX/SX-F | x |

148130460

C148130460

* NEW PART

X ON DEMAND



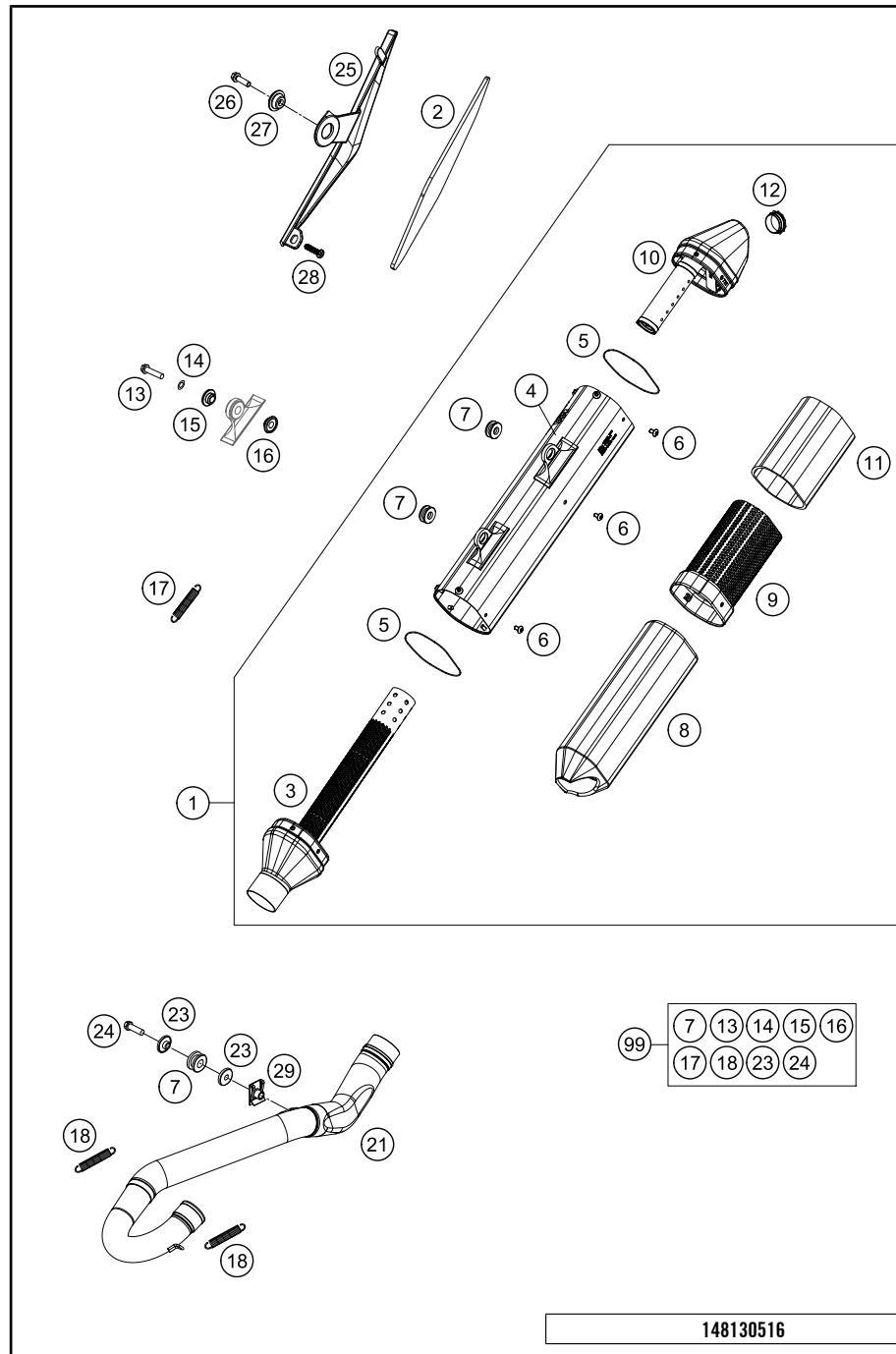
| POS | PARTNUMBER | PARTNAME | PIECE |
|-----|-------------|--------------------------------|-------|
| 2 | 77204030044 | SWINGARM CPL. 11 | 1 |
| 4 | 77304066050 | BUSHING F. CHAIN SLIDING PR.07 | 2 |
| 5 | 0009050106 | EJOT SPIRAL SCREW SF M5X10-K | 2 |
| 6 | 76504042000 | BRAKE LINE GUIDE 08 | 1 |
| 7 | 59009062013 | SPECIAL SCREW M6X13 WS=8 10.9 | 2 |
| 8 | 54804034000 | BUCKET F. SHAFT SEAL RING 03 | 4 |
| 9 | 0760253270 | SHAFT SEAL RING 25X32X7 | 4 |
| 10 | 54804032000 | BUSHING SLEEVE F. SWING ARM 03 | 2 |
| 11 | 58033097000 | NEEDLE BEARING HK 2216 | 4 |
| 12 | 54603036000 | STOP DISK 22,2X31,7X1 | 2 |
| 14 | 78104070100 | CHAIN GUIDE EXC | 1 |
| 15 | 59009062019 | SPECIAL SCREW M6X19 WS=8 10.9 | 1 |
| 16 | 0025060456 | HH COLLAR SCREW M6X45 TX30 | 1 |
| 25 | 77304037000 | SWINGARM BOLT M16X1,5 07 | 1 |
| 26 | 54804038000 | SELF LOCK.NUT M16X1,5 WS=19 03 | 1 |
| 27 | 77204041000 | CLOSING COVER | 4 |
| 28 | 77204066010 | CHAIN GUARD CPL. 11-14 | 1 |
| 29 | 54603055051 | PRESS IN NUT M6 STEEL ZINC | 1 |
| 98 | 78104070010 | CHAIN GUIDE KIT EXC 14 | x |
| 99 | 54804230210 | SWINGARM REPAIR KIT 05-14 | x |

148130491

C148130496

* NEW PART

X ON DEMAND



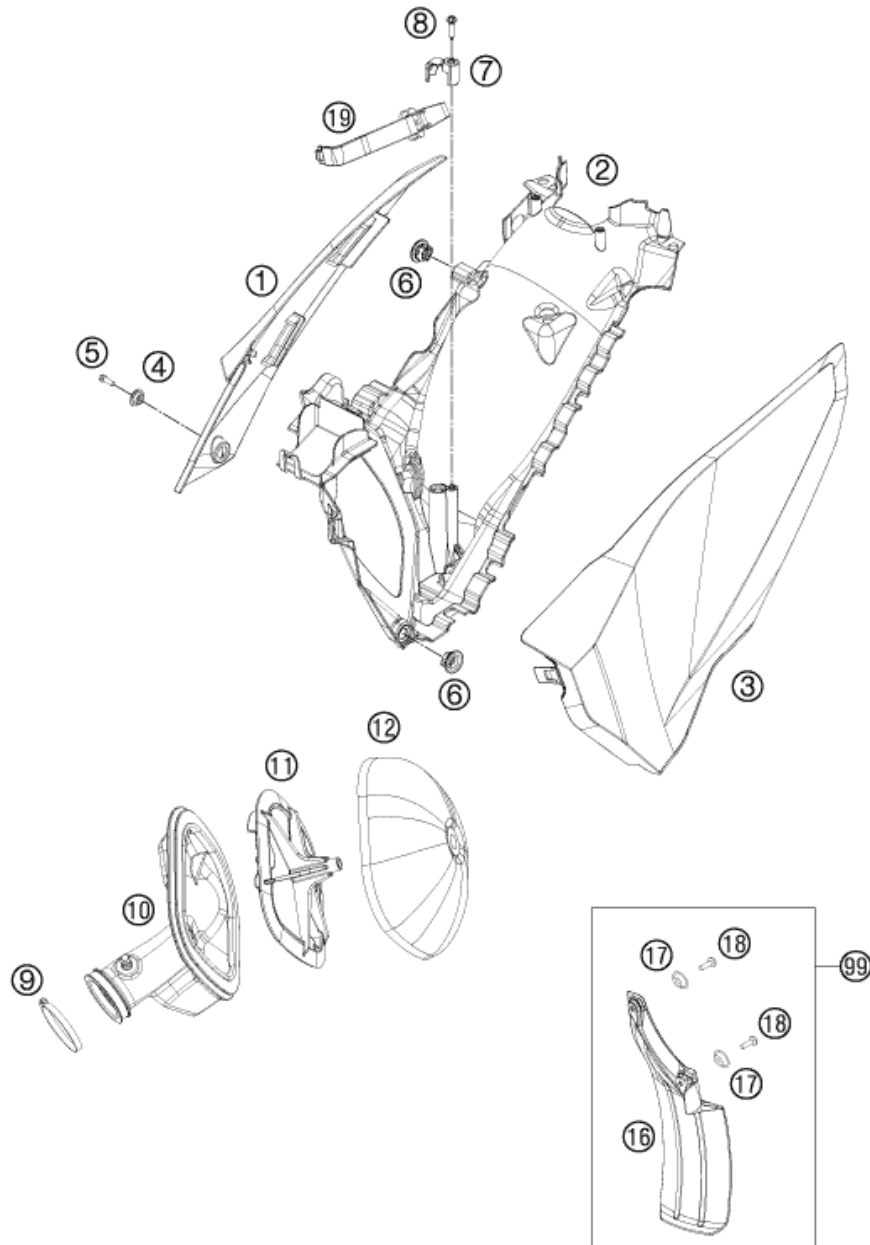
| POS | PARTNUMBER | PARTNAME | PIECE |
|-----|---------------|--------------------------------|-------|
| 1 | 81305582000 | SILENCER 250-501 FE USA | 1 |
| 2 | 81305011050 | THERMAL PROTECTION FOIL | 1 |
| 3 | 78105082060 | SILENCER CAP EXC USA | 1 |
| 4 | 81305582080 | SILENCER HOUSING FE USA | 1 |
| 5 | 0770740015 | O-RING 74,00X1,50 FKM 75SH | 2 |
| 6 | 78105081010 | SCREW TORX M5X10 | 12 |
| 7 | 77205068000 | DAMP. COMPON. BLACK | 3 |
| 8 | 78105078400 | ROCKWOOL PREFOMED | 1 |
| 9 | 78105081040 | INSERT SILENCER | 1 |
| 10 | 78105082060 | SILENCER CAP EXC USA | 1 |
| 11 | 78105078070 | STUFFING YARN REAR | 1 |
| 12 | 77005081055 | SIL. ELEMENT EXC-F 07 | 1 |
| 13 | 0025060306 | HH COLLAR SCREW M6X30 TX30 | 2 |
| 14 | 0137060003 | SPRING WASHER DIN0137-B 6 | 2 |
| 15 | 77205169000 | BUSHING 7.5x12x28x8.3 11 | 2 |
| 16 | 81305069000 | BUSHING 7,5X12X20 | 2 |
| 17 | 50305116000 | TEN.SPRING L=75MM EY.MOVEABLE | 1 |
| 18 | 50305016000 | TEN.SPRING L=62MM EY.MOVEABLE | 2 |
| 21 | 77205007000 | EXHAUST MANIFOLD 350 SX-F 11 | 1 |
| 23 | 59405069000 | BUSHING FOR EXHAUST SUPPORT 03 | 2 |
| 24 | 0025080256 | HH COLLAR SCREW M8X25 TX40 | 1 |
| 25 | 8130501100030 | HEAT SHIELD BLACK | 1 |
| 26 | 0025060206 | HH COLLAR SCREW M6X20 TX30 | 1 |
| 27 | 77308013010 | COLLAR BUSH. F.REAR FENDER 07 | 1 |
| 28 | 0081050121 | SCREW FOR PLASTIC K50X12 T20 | 1 |
| 29 | 54603048000 | RANGE CHANGE METAL NUT M8 | 1 |
| 99 | 00050000817 | EXHAUST PARTS KIT FE 13 | x |

148130516

C148130520

* NEW PART

X ON DEMAND



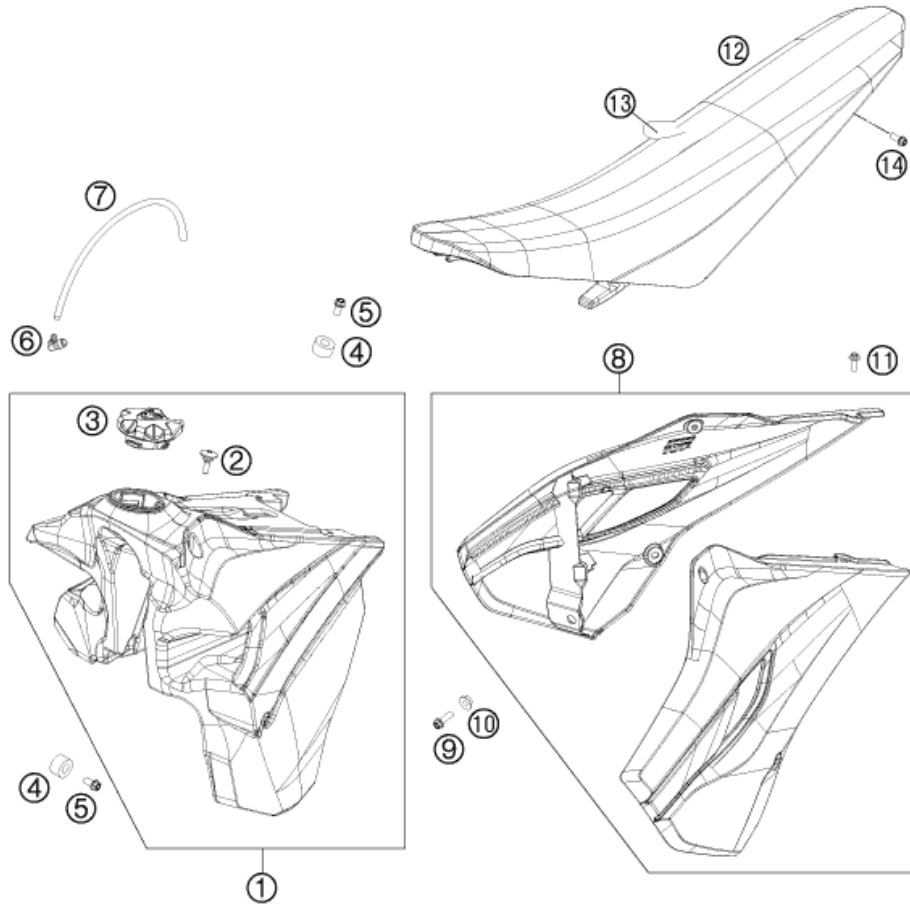
| POS | PARTNUMBER | PARTNAME | PIECE |
|-----|----------------|--------------------------------------|-------|
| 1 | 8130600400028C | FILTER BOX COVER R/S 2014 WITH DECAL | 1 |
| 2 | 8130610110030 | FILTER WALL 4-STROKE | 1 |
| 3 | 8130600300028C | FILTER BOX COVER L/S 2014 WITH DECAL | 1 |
| 4 | 77308013010 | COLLAR BUSH. F.REAR FENDER 07 | 1 |
| 5 | 0025060206 | HH COLLAR SCREW M6X20 TX30 | 1 |
| 6 | 47106003160 | QUICK CONNECTOR CLUTCH | 2 |
| 7 | 81306001010 | FIXING CAP | 1 |
| 8 | 0017060255 | EJOT PT SCREW K60X25-Z SW6 | 1 |
| 9 | 78006027000 | HOSE CLAMP 45-65MM | 1 |
| 10 | 77506026000 | AIRBOXRUBBER 350 EFI | 1 |
| 11 | 77206016000 | FILTER CARRIER 11 | 1 |
| 12 | 77206015000 | AIR FILTER | 1 |
| 16 | 77306010000 | FENDER FOR FILTER BOX | 1 |
| 17 | 77304066050 | BUSHING F. CHAIN SLIDING PR.07 | 2 |
| 18 | 0017060206 | SCREW F. PLASTIC K60X20AL SW6 | 2 |
| 19 | 81306017000 | FILTER SUPPORT CPL. | 1 |
| 99 | 77306010010 | SPLASH PROTECTOR KIT SX/EXC | x |

138130613

C148130621

* NEW PART

X ON DEMAND



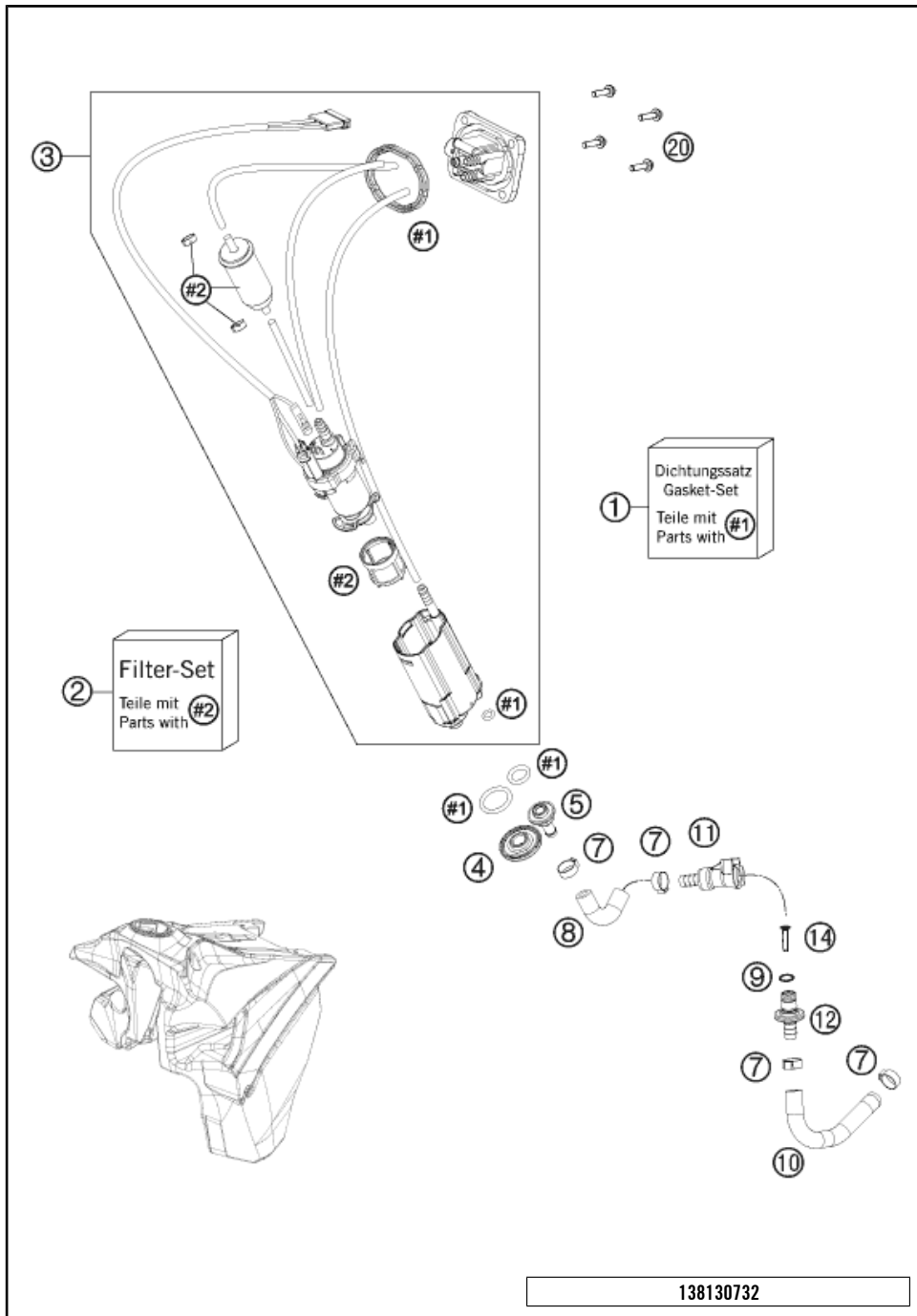
| POS | PARTNUMBER | PARTNAME | PIECE |
|-----|----------------|--------------------------------------|-------|
| 1 | 8130751304499 | FUEL TANK CPL. FE USA | 1 |
| 2 | 77407011000 | SCREW SEAT FIXING M5 | 1 |
| 3 | 7810700804455 | TANK PLUG CPL. 14 | 1 |
| 4 | 50307014000 | TANK ROLLER 12X26X12 '98 | 3 |
| 5 | 0026060136 | COLLAR SCREW M6X13 ISA30 | 3 |
| 6 | 50330022000 | ANGLE PIEC 90 DEGREE M10X1 02 | 1 |
| 7 | 78007000270 | PVC-HOSE 5,6X10X270MM | 1 |
| 8 | 8130805400028A | SPOILER SET WHITE 2014 WITH DECAL | 1 |
| 9 | 0025060206 | HH COLLAR SCREW M6X20 TX30 | 2 |
| 10 | 50308052000 | BUSH FOR SPOILER 6X11X16X5 MM | 2 |
| 11 | 0014050123 | HH COLLAR SCREW M 5X12 WS=6 | 8 |
| 12 | 81307840000 | SEAT CPL. | 1 |
| 13 | 81307840050 | SEAT COVER | 1 |
| 14 | 0025060206 | HH COLLAR SCREW M6X20 TX30 | 2 |

138130713

C148130721

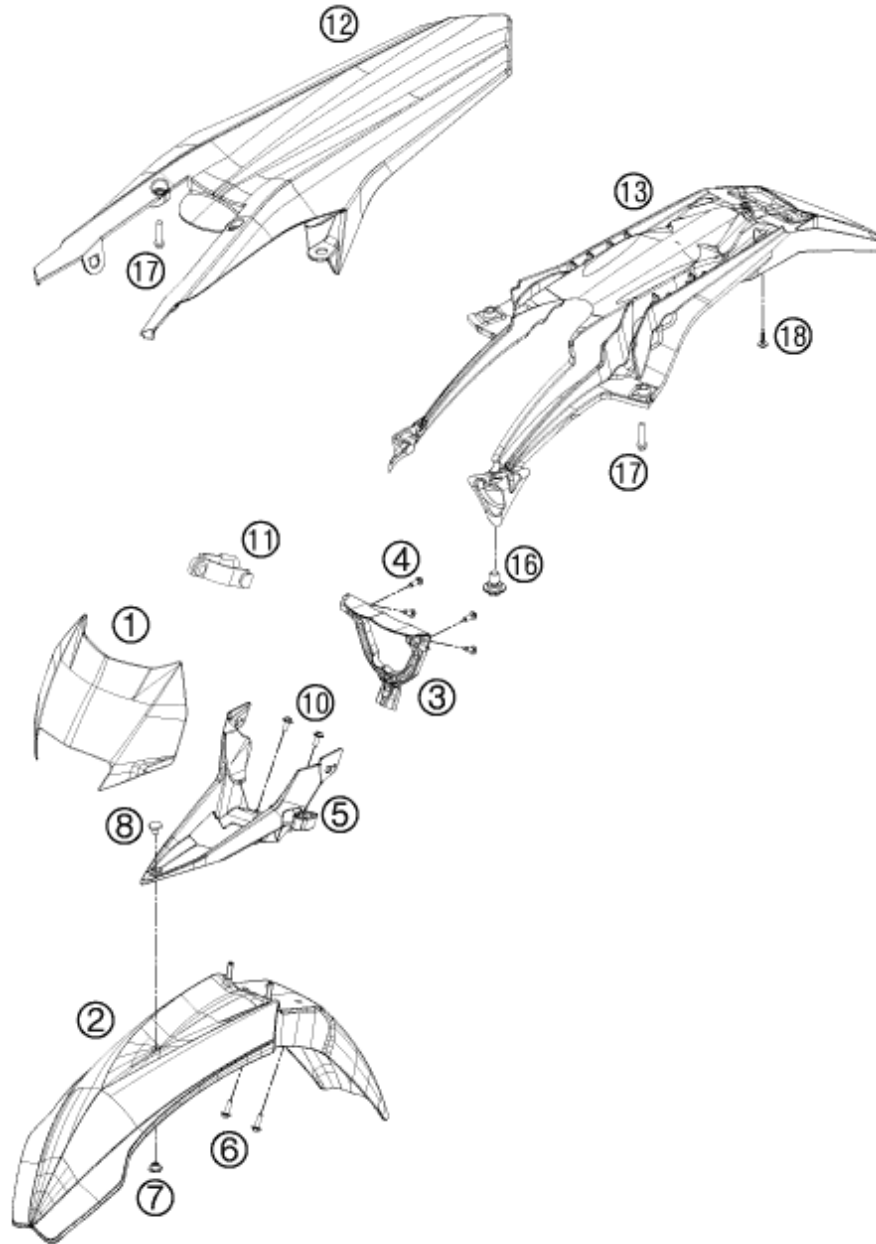
* NEW PART

X ON DEMAND



| POS | PARTNUMBER | PARTNAME | PIECE |
|-----|---------------|-------------------------------|-------|
| 1 | 78107089000 | GASKET KIT | 1 |
| 2 | 81207090000 | FILTER KIT | 1 |
| 3 | 78107088000 | FUEL PUMP CPL. EXC | 1 |
| 4 | 78107088114 | NUT FUEL PUMP M12 | 1 |
| 5 | 78107088117 | CONNECTOR FUEL PUMP 2012 | 1 |
| 7 | 00050157706 | VARIABLE ONE-EAR CLAMP 15,7MM | 4 |
| 8 | 81307016000 | FUEL HOSE TANK | 1 |
| 9 | 58507012000 | O-RING VITON F. PLUG CPC 05 | 1 |
| 10 | 77407016100 | FUEL HOSE PREFORMED DKK | 1 |
| 11 | 5850701050030 | CLUTCH CPC BLACK 05 | 1 |
| 12 | 77707010000 | CONNECTOR FUEL PUMP | 1 |
| 14 | 78141013190 | FUEL FILTER | 1 |
| 20 | 0014050163 | HH COLLAR SCREW M 5X16 WS=6 | 4 |

C138130732 * NEW PART X ON DEMAND



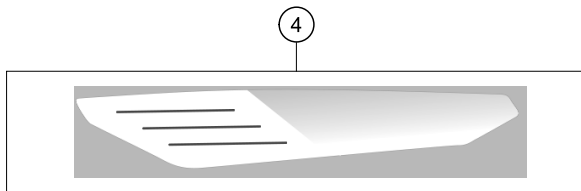
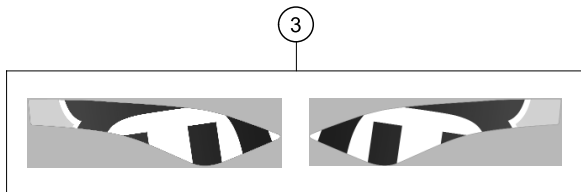
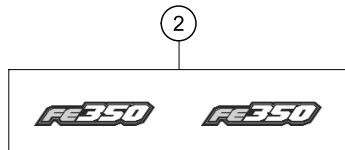
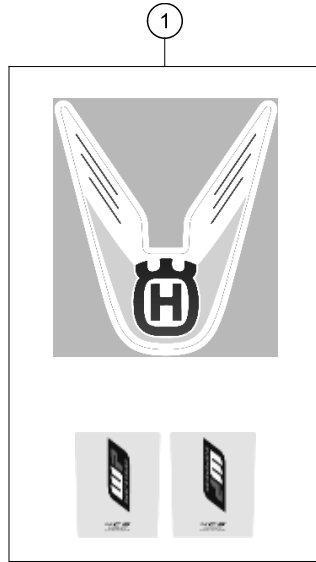
| POS | PARTNUMBER | PARTNAME | PIECE |
|-----|----------------|------------------------------|-------|
| 1 | 8120800110028 | HEADLIGHTMASK WHITE 2010 | 1 |
| 2 | 8130801010028 | FRONT FENDER WHITE | 1 |
| 3 | 81208003000 | HEAD LIGHT SUPPORT 2009 | 1 |
| 4 | 0081050181 | SCREW FOR PLASTIC K50X18 T20 | 4 |
| 5 | 8120800910030 | FENDER BRACE BLACK | 1 |
| 6 | 0025060206 | HH COLLAR SCREW M6X20 TX30 | 4 |
| 7 | 50308009051 | NUT FENDER BRACE M8 WS=17 | 1 |
| 8 | 50308009050 | SCREW FEND.BRACE M8X9 WS=17 | 1 |
| 10 | 0024060156 | HH COLLAR SCREW M6X15 TX30 | 2 |
| 11 | 50211086000 | MASK RUBBER UFO WP '95 | 2 |
| 12 | 8130801300028A | REAR FENDER WHITE 2014 | 1 |
| 13 | 81308015000 | NUMBER PLATE CARRIER TOP | 1 |
| 16 | 83008100020 | SCREW M6X20X5,5 | 2 |
| 17 | 0025060256 | HH COLLAR SCREW M6X25 TX30 | 2 |
| 18 | 0017060205 | SCREW FOR PLASTIC K60X20 SW6 | 4 |

138130811

C148130814

* NEW PART

X ON DEMAND



148130838

| POS | PARTNUMBER | PARTNAME | PIECE |
|-----|-------------|-------------------------------|-------|
| 1 | 80308599000 | DECAL KIT TE/FE 2014 | 1 |
| 2 | 80308597400 | STICKER SET DISPLACEM. FE 350 | 1 |
| 3 | 80308592110 | STICKER KIT SPOILER | 1 |
| 4 | 80308590000 | STICKER FILTER COVER L/S | 1 |

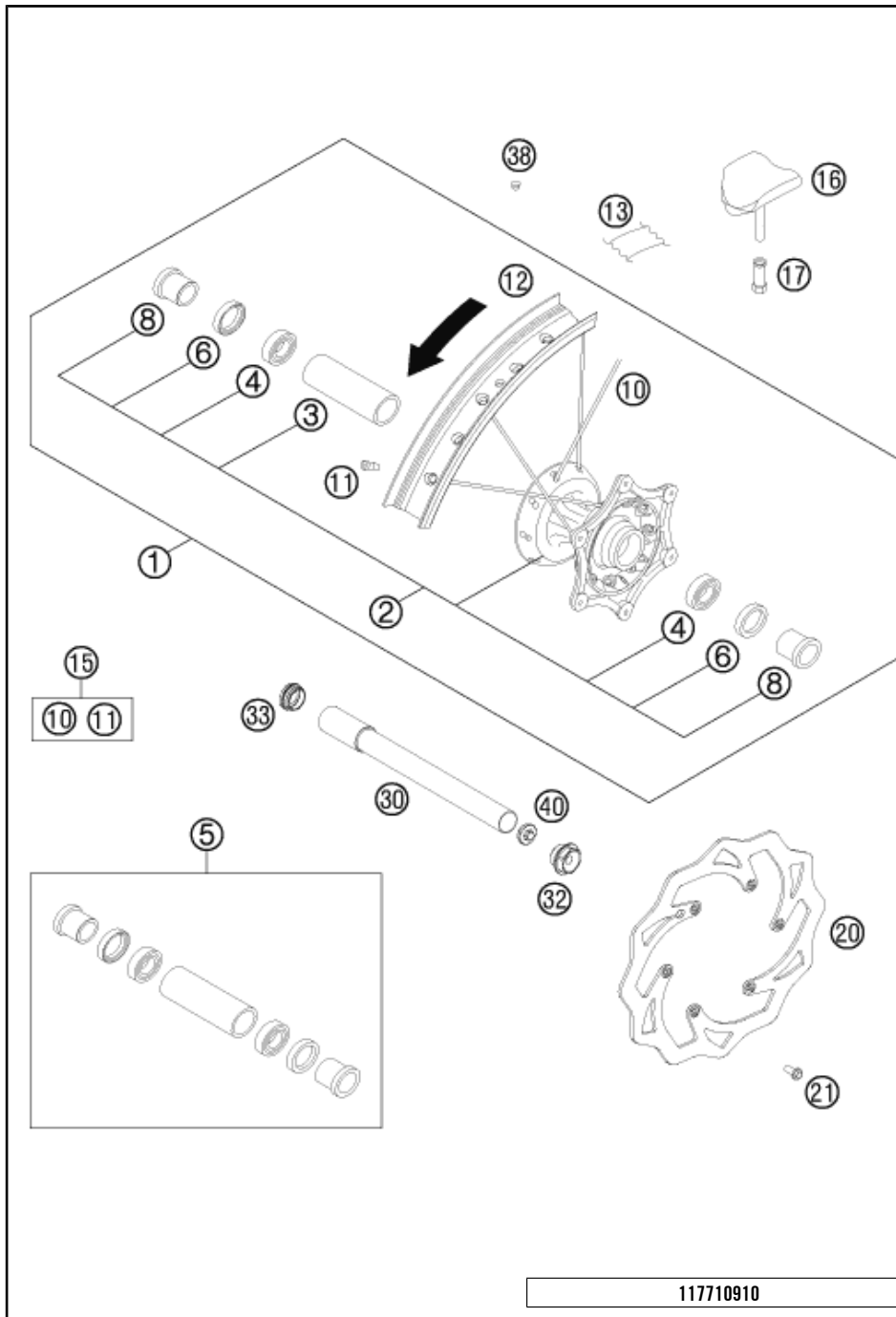
C148130838

* NEW PART

X ON DEMAND

FRONT WHEEL

FE 350 US 2014



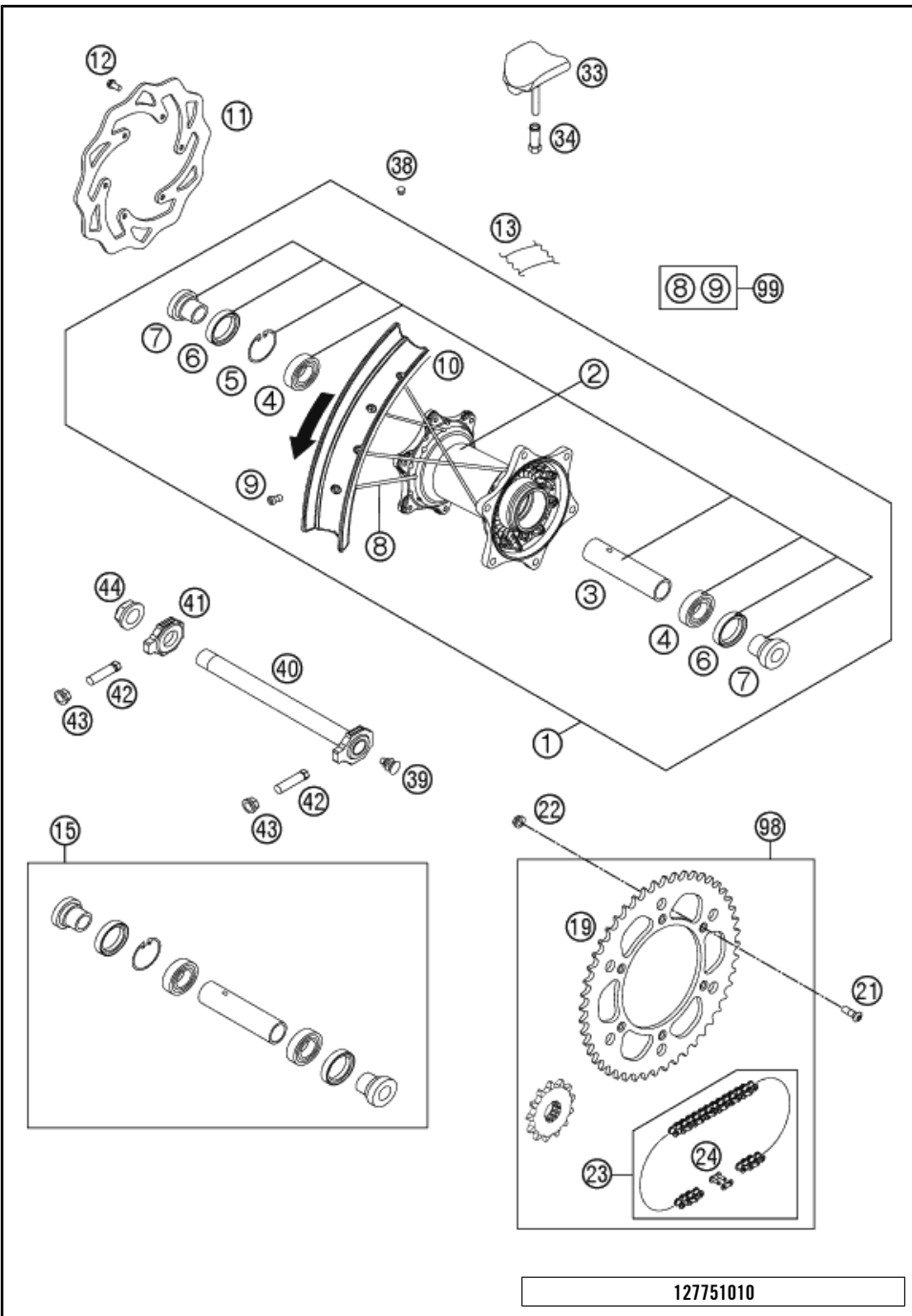
| POS | PARTNUMBER | PARTNAME | PIECE |
|-----|---------------|--------------------------------|-------|
| 1 | 8030950104430 | FRONT WHEEL CPL. 1,6X21" DID | 1 |
| 2 | 77709010044 | FRONT WHEEL HUB CPL. | 1 |
| 3 | 54809011000 | BEA.SPACERTUBE 35X2 L=79,4 03 | 1 |
| 4 | 0625069068 | GR.BALL BEAR.6906 DDU2CG23S6NM | 2 |
| 5 | 78009015000 | FRONT WHEEL REP. KIT | 1 |
| 6 | 0760354771 | SHAFT SEAL RING 35X47X7 TC | 2 |
| 8 | 78009012000 | SPACER BUSHING F. FR. WHEEL 08 | 2 |
| 10 | 77109071226 | SPOKE M4,5x226-21" 11 | 36 |
| 11 | 77109072000 | SPOKE NIPPLE M4,5 AL 11 | 36 |
| 12 | 8120907010030 | RIM FRONT 1,60X21" DID | 1 |
| 13 | 50309073000 | RIM BAND 21" | 1 |
| 15 | 00050000916 | SPOKE KIT FRONT "21" | x |
| 16 | 78109090000 | RIM LOCK 1,60" | 1 |
| 17 | 77110090050 | NUT FOR WHEEL HOLDER | 1 |
| 20 | 77309060000 | BRAKE DISC FRONT 260 | 1 |
| 21 | 59009062013 | SPECIAL SCREW M6X13 WS=8 10.9 | 6 |
| 30 | 77309081000 | WHEEL SPIN.FR. D=26 M24x1,5 07 | 1 |
| 32 | 54809082000 | SPINDLE SCREW M24X1,5 WS=27 03 | 1 |
| 33 | 54809081050 | PLUG BUSHING WS=27 03 | 1 |
| 38 | 55003135000 | PLUG FOR RIM | x |
| 40 | 54809081070 | AUXILIARY SCREW FRONT 06 | 1 |

117710910

C148130910

* NEW PART

X ON DEMAND



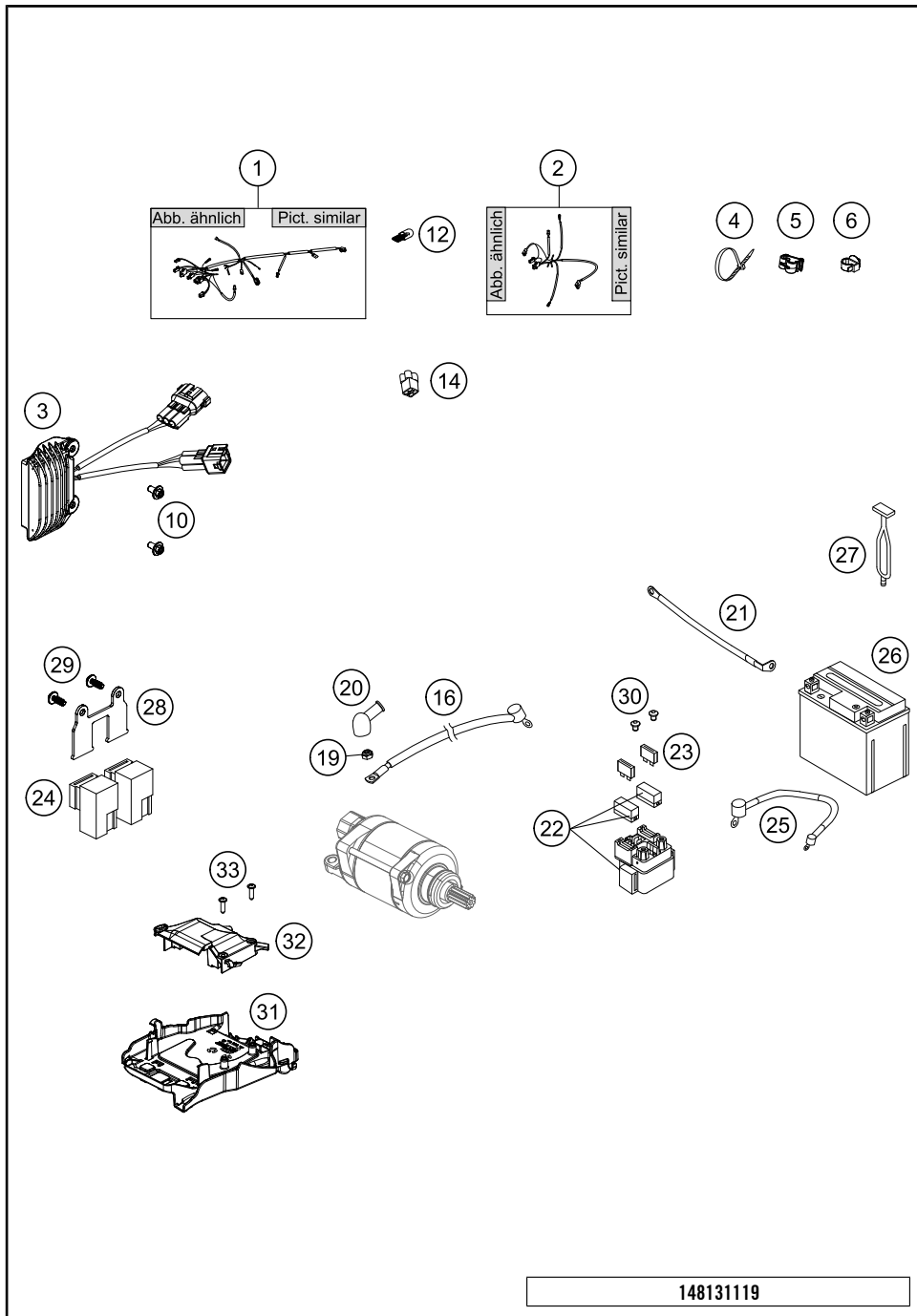
| POS | PARTNUMBER | PARTNAME | PIECE |
|-----|---------------|--------------------------------|-------|
| 1 | 8031050114430 | REAR WHEEL CPL. 2,15X18" DID | 1 |
| 2 | 78010010144 | REAR WHEEL HUB CPL. | 1 |
| 3 | 59010011000 | BUSHING SPACER TUBE 121,5MM 01 | 1 |
| 4 | 0625060058 | GR.BALL BEAR.6005 DDU2CG23S6NM | 2 |
| 5 | 0472047175 | CIRCLIP DIN0472-47X1,75 | 1 |
| 6 | 0760324771 | SHAFT SEAL RING 32X47X7 BSL | 2 |
| 7 | 78010016000 | BUSHING FOR HUB 08 | 2 |
| 8 | 77110071193 | SPOKE M4,5X193- 18" 11 | 36 |
| 9 | 77109072000 | SPOKE NIPPLE M4,5 AL 11 | 36 |
| 10 | 8121007010030 | RIM 2,15X18" DID AL7 BLACK | 1 |
| 11 | 77310060000 | BRAKE DISC REAR 220 | 1 |
| 12 | 59009062013 | SPECIAL SCREW M6X13 WS=8 10.9 | 6 |
| 13 | 50310073200 | RIM BAND 18" AND 19" | 1 |
| 15 | 78010015000 | REAR WHEEL REP. KIT | 1 |
| 19 | 5831015104830 | SPROCKET 48-Z. BLACK | x |
| 19 | 5831015105030 | REAR SPROCKET 50-Z BLACK | x |
| 19 | 5831015105230 | SPROCKET 52-Z. BLACK | 1 |
| 21 | 0019080266S | COUNTER-SUNK SCREW ISA45 M8X26 | 6 |
| 22 | 06923080003 | HEXAGON NUT DIN EN1661 M8 SW13 | 6 |
| 23 | 78010167118 | CHAIN DID 118 ROLLS | 1 |
| 24 | 78010166000 | CONNECTING LINK F. 78010167118 | 1 |
| 33 | 78110090000 | RIM LOCK 2,15" | 1 |
| 34 | 77110090050 | NUT FOR WHEEL HOLDER | 1 |
| 38 | 55003135000 | PLUG FOR RIM | x |
| 39 | 50210086000 | COVERING CAP SFL16 | 1 |
| 40 | 77310085044 | WHEEL SPINDLE RE. CPL.265MM 07 | 1 |
| 41 | 50310084000 | CHAIN TENSIONER R/S 2000 | 1 |
| 42 | 50304040100 | SCREW M10X1,25X50 WS=10 | 2 |
| 43 | 58414030000 | HH COLLAR NUT M10X1,25 WS=13 | 2 |
| 44 | 50310099000 | HEXAGON NUT M20X1,5 '98 | 1 |
| 98 | 00050002030 | DRIVETRAIN KIT HQV 14T/52T | x |
| 98 | 00050002035 | DRIVETRAIN KIT HQV 13T/52T | x |
| 99 | 00050000957 | SPOKE KIT REAR 18" 12 | x |

127751010

C148131010

* NEW PART

X ON DEMAND

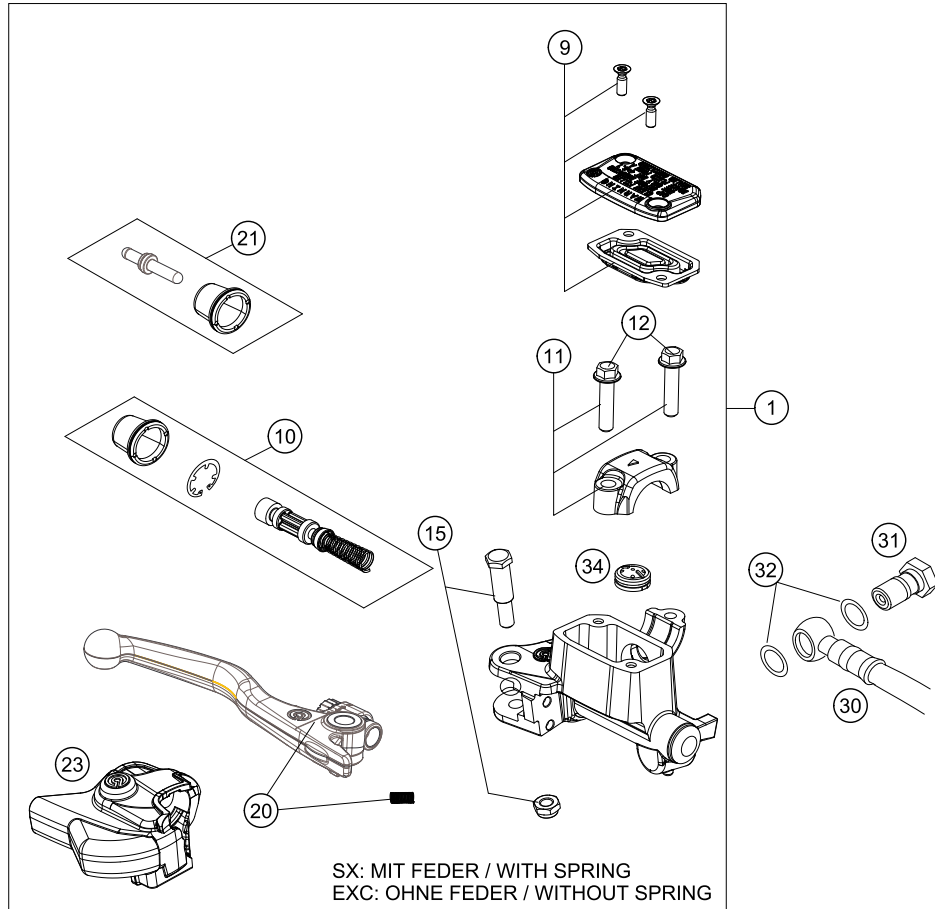


| POS | PARTNUMBER | PARTNAME | PIECE |
|-----|-------------|--------------------------------|-------|
| 1 | 78111075133 | WIRING HARN.EFI VMT. EU/AUS 14 | 1 |
| 2 | 77711079100 | WIRING HARNESS LIGHT XC-W 14 | 1 |
| 3 | 78111034000 | VOLTAGE REGULATOR | 1 |
| 4 | 44011076140 | CABLE TIE 140/2,5MM BLACK | x |
| 4 | 44011076200 | CABLE TIE 200/3,6MM BLACK | x |
| 4 | 44011076305 | CABLE TIE 300/4,8MM BLACK | x |
| 5 | 83013026000 | CABLE GUIDE | 2 |
| 6 | 58111076000 | CABLE SUPPORT KHS NR.150-47610 | 1 |
| 10 | 0023060123 | COLLAR SCREW M6X12 TX | 2 |
| 12 | 49111425200 | BULB 12V 2,3W (W2X4,6D) | 3 |
| 14 | 81211096000 | DUMMY PLUG AN 4-PIN | 1 |
| 16 | 81311059000 | STARTER CABLE | 1 |
| 19 | 0985060003 | SELF LOCK. NUT DIN0985-M 6 | 1 |
| 20 | 77240099000 | PROTECTION CAP F. STARTER ENG. | 1 |
| 21 | 58411059100 | STARTERCABLE 700 MM '97 | 1 |
| 22 | 76211058000 | STARTER RELAY 07 | 1 |
| 23 | 58011109120 | FUSE 20 A | 2 |
| 24 | 61111057000 | RELAY CM1A-R-12V-H80 07 | 2 |
| 25 | 81311059050 | WIRING HARNESS BATTERY | 1 |
| 26 | 58511053000 | BATTERY 12V 4AH YTX5L-BS | 1 |
| 27 | 50303018000 | RUBBER L=145MM | 2 |
| 28 | 81311037000 | BRACKET POWERRELAIS | 1 |
| 29 | 0081050121 | SCREW FOR PLASTIC K50X12 T20 | 2 |
| 30 | 0902060083 | AH OVAL SCREW ISO 7380 M 6X8 | 2 |
| 31 | 77711094000 | ELECTRIC BOX | 1 |
| 32 | 77711094050 | ECU SPLASH PROTECT. | 1 |
| 33 | 0081050181 | SCREW FOR PLASTIC K50X18 T20 | 2 |

148131119

C148131121

* NEW PART X ON DEMAND



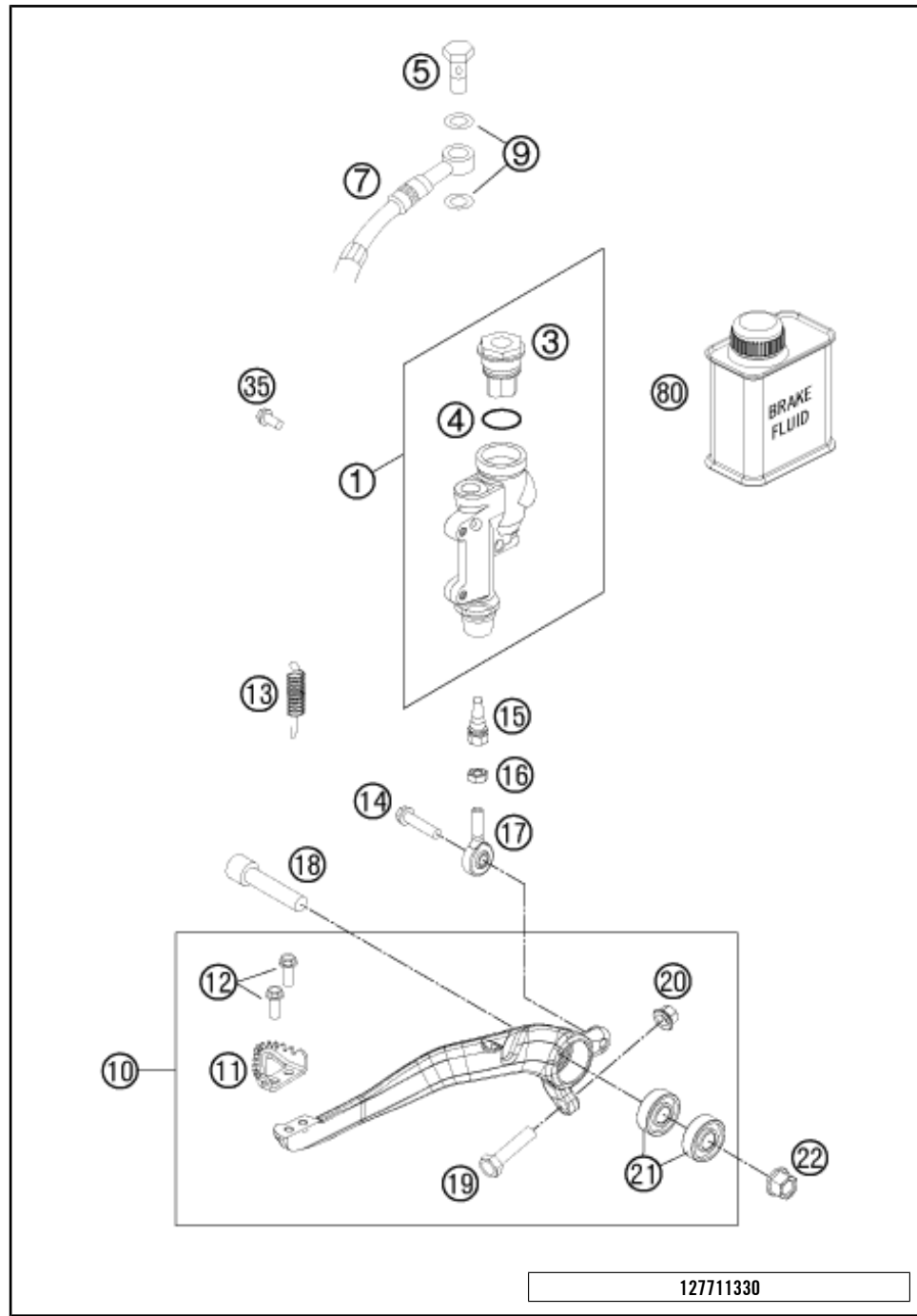
| POS | PARTNUMBER | PARTNAME | PIECE |
|-----|-------------|--|-------|
| 1 | 77713001044 | HAND BREAK CYLIND. CPL. X 2014 | 1 |
| 9 | 77713003000 | HAND BRAKE CYL. COVER | 1 |
| 10 | 77713008000 | REPAIR KIT PISTON SX 2014 | 1 |
| 11 | 54802005100 | CLAMP CPL. 06 | 1 |
| 12 | 0025060256 | HH COLLAR SCREW M6X25 TX30 | 2 |
| 15 | 77713006000 | LEVER SCREW | 1 |
| 20 | 77713002000 | HAND BRAKE LEVER +SPRING SX 14 SX WITH SPRING, EXC WITHOUT SP | 1 |
| 21 | 77713007000 | PUSH ROD CPL. SX 2014 | 1 |
| 23 | 77713004000 | PROTECTION CAP HAND BRAKE CYL. | 1 |
| 30 | 59013011000 | BRAKEHO. FRONT 1300MM 2000 | 1 |
| 31 | 54813020100 | HOLLOW SCREW BLACK M10X1X19 | 1 |
| 32 | 0603100141 | COPPER GASKET DIN7603-10X14X1 | 2 |
| 34 | 54802051000 | VALVE | 1 |
| 80 | 00062030000 | BRAKE FLUID DOT5.1 0,25L | 1 |

147781310

C148131311

* NEW PART

X ON DEMAND



| POS | PARTNUMBER | PARTNAME | PIECE |
|-----|-------------|-------------------------------|-------|
| 1 | 77013060044 | REAR BRAKE CYLINDER CPL.SX 09 | 1 |
| 3 | 54813062100 | REAR BRAKE CYL. COVER CPL. 04 | 1 |
| 4 | 54813063000 | FOOT-BRAKE CYL. GASKET SX 03 | 1 |
| 5 | 54813020100 | HOLLOW SCREW BLACK M10X1X19 | 1 |
| 7 | 77213070000 | BRAKE HOSE REAR XXXMM 11 | 1 |
| 9 | 0603100141 | COPPER GASKET DIN7603-10X14X1 | 2 |
| 10 | 77213050044 | FOOT BRAKE LEVER CPL. | 1 |
| 11 | 54813051000 | STEP PLATE FOR BRAKE LEVER | 1 |
| 12 | 0025050126 | HH COLLAR SCREW M5X12 TX30 | 2 |
| 13 | 54603062000 | RETURN SPRING FOR BRAKE LEVER | 1 |
| 14 | 0025060206S | HH COLLAR SCREW M6X20 TX30 | 1 |
| 15 | 54813056000 | PUSH ROD L=28MM 03 | 1 |
| 16 | 0985060003 | SELF LOCK. NUT DIN0985-M 6 | 1 |
| 17 | 54813055000 | SWIVEL HEAD KA6 03 | 1 |
| 18 | 0032100406S | AH-COLLAR SCREW M10X40 ISA45 | 1 |
| 19 | 59001037000 | SPECIAL SCREW M8X26 WS=10 | 1 |
| 20 | 46030045000 | COLLAR NUT M8 WS=10 | 1 |
| 21 | 0625060002 | BALL BEARING SKF 6000-2RS1 | 2 |
| 22 | 54630044000 | COLLAR NUT M10 WS=13 | 1 |
| 35 | 0025060126 | HH COLLAR SCREW M6X12 TX30 | 2 |
| 80 | 00062030000 | BRAKE FLUID DOT5.1 0,25L | 1 |

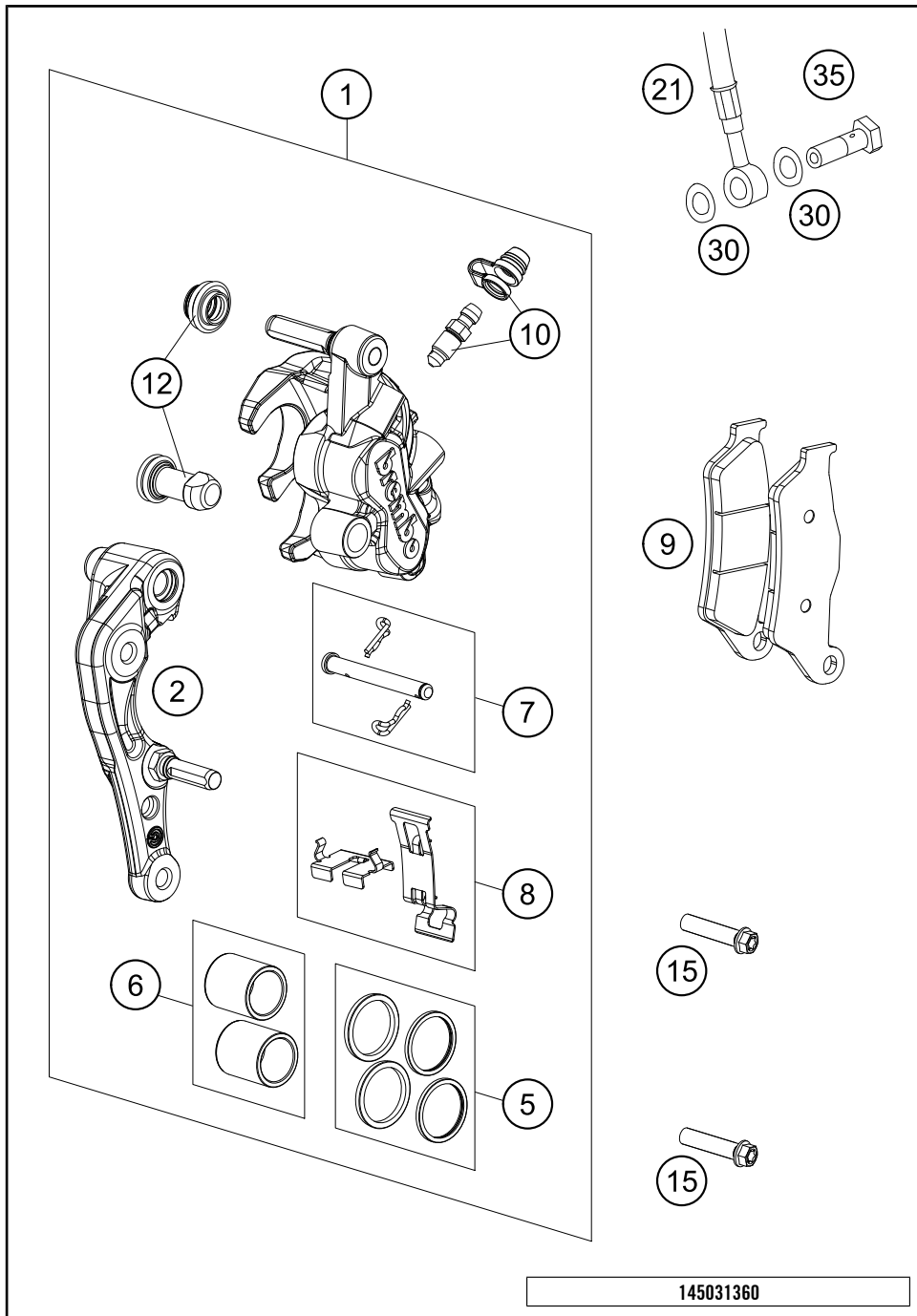
127711330

C148131331

* NEW PART X ON DEMAND

BRAKE CALIPER FRONT

FE 350 US 2014



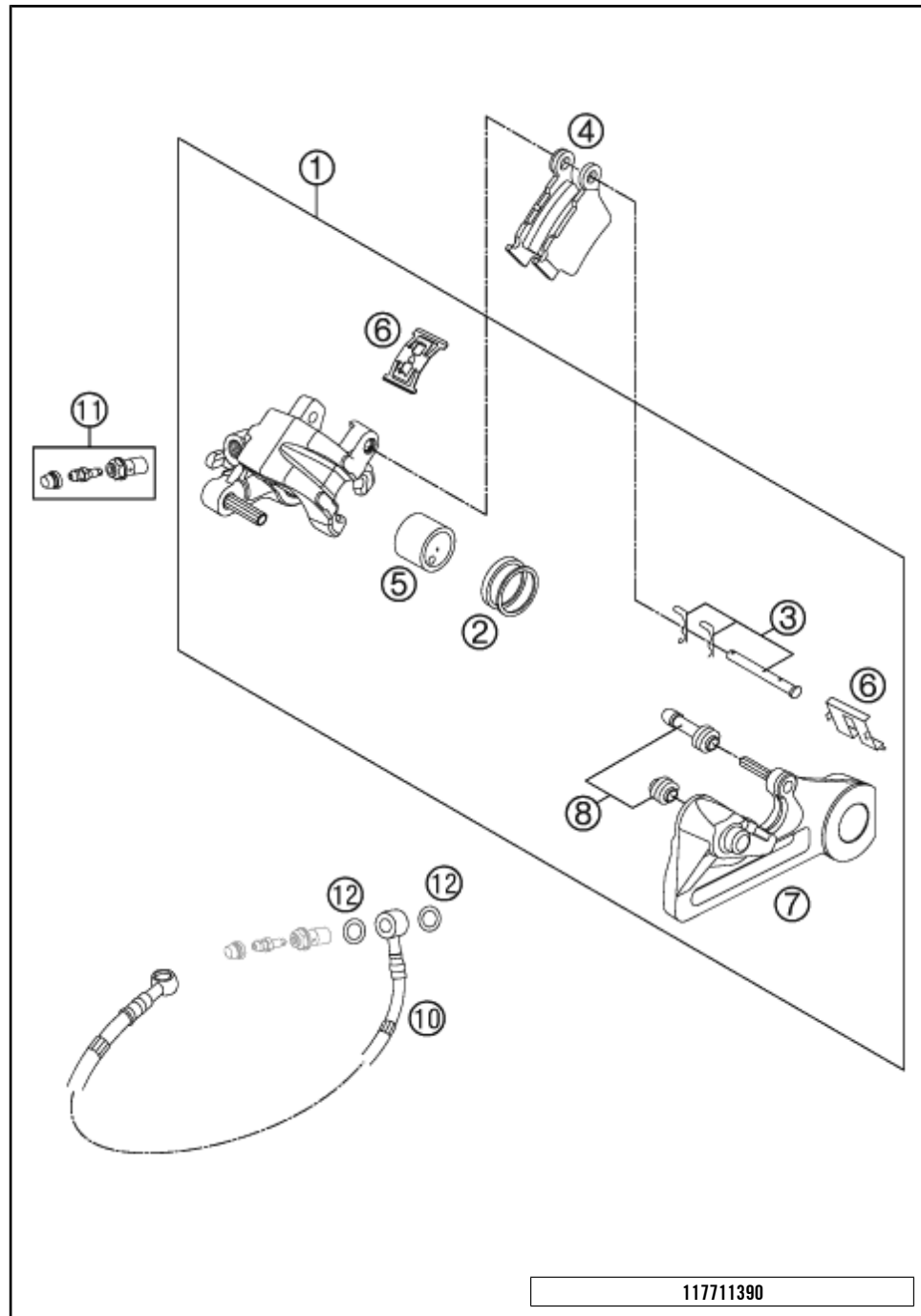
| POS | PARTNUMBER | PARTNAME | PIECE |
|-----|---------------|--------------------------------|-------|
| 1 | 7701301500101 | CALIPER NAT. WITHOUT PADS | 1 |
| 2 | 77013014000 | BRAKE CALIPER SUPPORT FRONT 09 | 1 |
| 5 | 77013021000 | REP. KIT SEALS 24MM | 1 |
| 6 | 77013019000 | REP. KIT PISTON 24MM | 1 |
| 7 | 77013017000 | BOLT CPL. 09 | 1 |
| 8 | 77013018000 | RETAINING PLATE SET BREMBO | 1 |
| 9 | 77713030000 | BRAKE PADS FRONT | 1 |
| 10 | 61013020100 | BLEEDER SCREW WITH CAP | 1 |
| 12 | 54613218000 | CUP SET SHORT | 1 |
| 15 | 0025080356S | HH COLLAR SCREW M8X35 TX40 | 2 |
| 21 | 59013011000 | BRAKEHO. FRONT 1300MM 2000 | 1 |
| 30 | 0603100141 | COPPER GASKET DIN7603-10X14X1 | 2 |
| 35 | 50213025000 | HOLLOW SCREW M10X1X19 | 1 |

145031360

C148131360

* NEW PART

X ON DEMAND

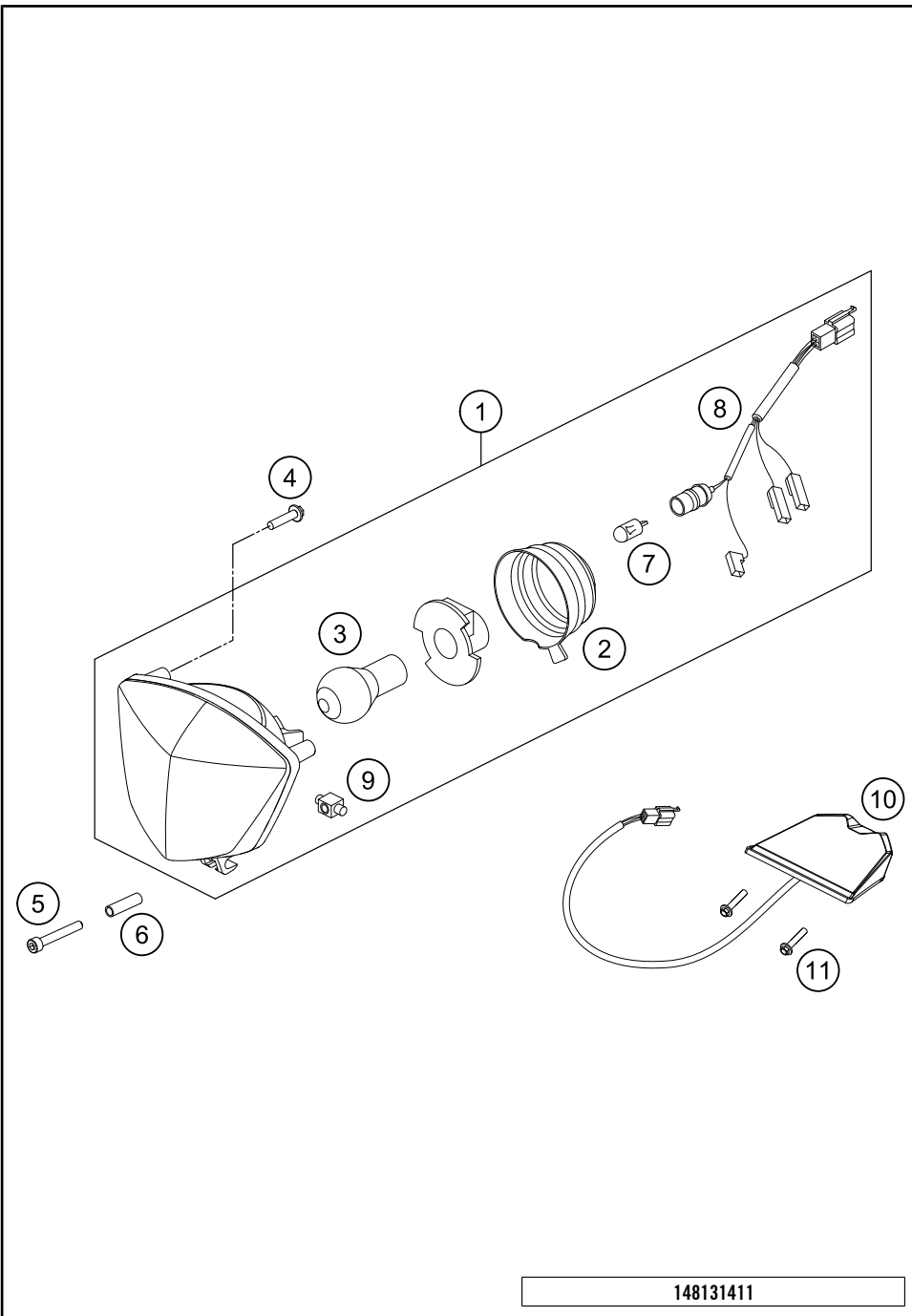


| POS | PARTNUMBER | PARTNAME | PIECE |
|-----|-------------|-------------------------------|-------|
| 1 | 54813080101 | BRAKE CAL. RE. - WITHOUT PADS | 1 |
| 2 | 50313081200 | REPAIR KIT SEALING RINGS 26MM | 1 |
| 3 | 54813082000 | BOLT SET FOR BRAKE CALIPER 03 | 1 |
| 4 | 54813090300 | BRAKE PAD SET REAR TOYO | 1 |
| 5 | 77713083000 | BRAKE PISTON 26MM 2013 | 1 |
| 6 | 54813018000 | RETAINING SPRING SET 2003 | 1 |
| 7 | 54813075000 | BRAKE CALIPER SUPPORT REAR | 1 |
| 8 | 54613218000 | CUP SET SHORT | 1 |
| 10 | 77213070000 | BRAKE HOSE REAR XXXMM 11 | 1 |
| 11 | 62513020000 | BLEEDER SCREW CPL. 05 | 1 |
| 12 | 0603100141 | COPPER GASKET DIN7603-10X14X1 | 2 |

117711390

C148131391

* NEW PART X ON DEMAND

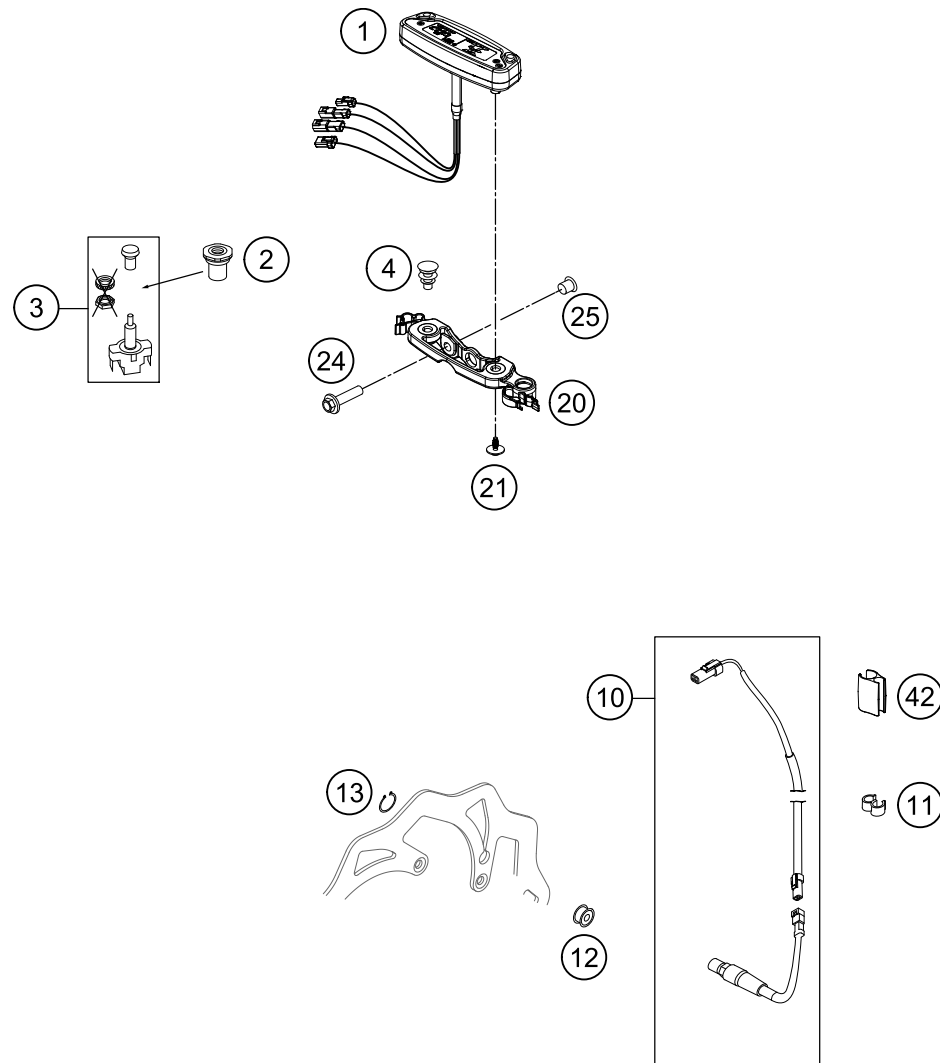


| POS | PARTNUMBER | PARTNAME | PIECE |
|-----|-------------|-------------------------------|-------|
| 1 | 81214001000 | HEAD LIGHT | 1 |
| 2 | 54814001050 | RUBBER CAP FOR HEAD LIGHT 05 | 1 |
| 3 | 44111038000 | BILUX-BULB 12V 35/35W BA20D | 1 |
| 4 | 0081050181 | SCREW FOR PLASTIC K50X18 T20 | 3 |
| 5 | 0912050353 | AH SCREW DIN912 M5X35 | 1 |
| 6 | 81208008000 | DIST. HOSE F. HEAD LIGHT MASK | 1 |
| 7 | 49011435100 | BULB 12V 5W (W2,1X9,5D) PHIL. | 1 |
| 8 | 54811001050 | CABLE FOR HEAD LIGHT 2005 | 1 |
| 9 | 81208003010 | INSERT FOR HEAD LIGHT SUPPORT | 1 |
| 10 | 78114040000 | REAR LIGHT | 1 |
| 11 | 0017060255 | EJOT PT SCREW K60X25-Z SW6 | 2 |

148131411

C148131411

* NEW PART X ON DEMAND



| POS | PARTNUMBER | PARTNAME | PIECE |
|-----|-------------|--------------------------------|-------|
| 1 | 81314069000 | DIGITAL SPEEDOMETER | 1 |
| 2 | 55011599000 | PULL SWITCH LOOSE | 1 |
| 3 | 54814060050 | SPEC. NUT F. PULL SWITCH WS=17 | 1 |
| 4 | 50210086000 | COVERING CAP SFL16 | 1 |
| 10 | 81314068000 | CABLE FOR SPEEDOMETER | 1 |
| 11 | 60111094000 | CLAMP 5/7 MM 06 | 2 |
| 12 | 81314069050 | MAGNET FOR SPEEDOMETER | 1 |
| 13 | 0471009104 | CIRCLIP DIN0471- 9X1 INOX | 1 |
| 20 | 77714060000 | SPEEDOMETER BRACKET EXC/XCW 14 | 1 |
| 21 | 0081645121 | EJOT DELTA PT SCREW 45X12-Z | 2 |
| 24 | 0024060206 | HH COLLAR SCREW M6X20 TX30 | 2 |
| 25 | 59030060050 | BUSHING F. SPROCKET COVER RAC. | 2 |
| 42 | 54813026000 | CABLE SUPPORT 10/6MM 06 | 2 |

148131431

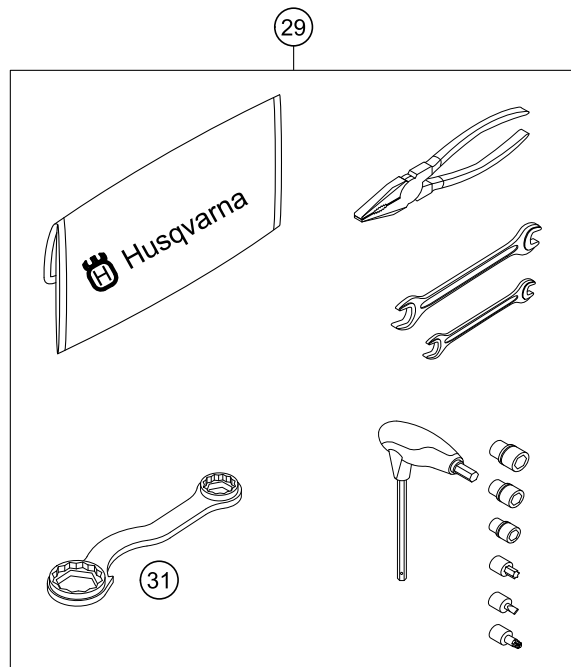
C148131431

* NEW PART

X ON DEMAND

0
OHNE ABBILDUNG
WITHOUT ILLUSTRATION

1
TECHNISCHE DOKUMENTATION
TECHNICAL DOCUMENTATION
DOCUMENTACION TECNICA
DOCUMENTATION TECHNIQUE
NOTE TECNICHE



| POS | PARTNUMBER | PARTNAME | PIECE |
|-----|----------------|--------------------------------|-------|
| 0 | HQV0110 | HUSQVARNA BALLPOINT PEN | 1 |
| 0 | 78003040033 | FOOTREST L/S + R/S CPL. 09 | 1 |
| 0 | 0025050126 | HH COLLAR SCREW M5X12 TX30 | 2 |
| 0 | 58411098100 | CONTACT WASHER M6 VSV-K6 | 2 |
| 0 | 77229072000 | SPARK PLUG WRENCH | 1 |
| 0 | 58511053000 | BATTERY 12V 4AH YTX5L-BS | 1 |
| 0 | 81212016100 | WASH CAP SET | 1 |
| 0 | 77503190000 | SKID PLATE CPL. | 1 |
| 0 | 52000115 | STICKER FRONT FORK-SET WP"4CS" | 1 |
| 0 | 8130801010028A | FRONT FENDER WHITE | 1 |
| 0 | 50308009050 | SCREW FEND.BRACE M8X9 WS=17 | 1 |
| 0 | 50308009051 | NUT FENDER BRACE M8 WS=17 | 1 |
| 0 | 0025060206 | HH COLLAR SCREW M6X20 TX30 | 4 |
| 0 | 80312002000 | DOCUMENTS BAG HUSQVARNA | 1 |
| 0 | 00063004202 | PRINT LABEL 60X51 MM | 2 |
| 0 | 7770207900028 | HANDGUARDS CPL. L+R WHITE | 1 |
| 0 | 00062030019 | AIR FILTER OIL 100ML | 1 |
| 0 | 80302602044 | BAR PAD CPL. | 1 |
| 1 | 3402007EN | OWN. MANUAL 350 FE 14 | 1 |
| 29 | 80329899000 | TOOL KIT | 1 |
| 31 | 50329080100 | WRENCH SW=17/21/27/32 B&F | 1 |

148132000

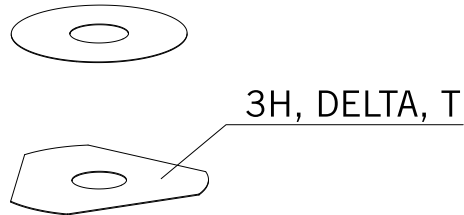
C148132018

* NEW PART

X ON DEMAND



- ⑤ Ø 5 mm
- ⑥ Ø 6 mm
- ⑧ Ø 8 mm
- ⑩ Ø 10 mm
- ⑫ Ø 12 mm
- ⑭ Ø 14-14,5 mm
- ⑯ Ø 16 mm
- ⑳ Ø 20 mm
- ㉑ Ø 21 mm
- ㉒ Ø 22 mm
- ㉓ Ø 23 mm
- ㉔ Ø 24,5 mm
- ㉘ Ø 28,5 mm
- ㉚ Ø 32 mm
- ㉜ Ø 52 mm



| POS | PARTNUMBER | PARTNAME | PIECE |
|-----|------------|---------------------|-------|
| 5 | 44906890 | WASHER 5X15X2 | X |
| 6 | 40540400 | SHIM 6X12X0,1 | X |
| 6 | 40540401 | SHIM 6X14X0,1 | X |
| 6 | 40540402 | SHIM 6X16X0,1 | X |
| 6 | 40540403 | SHIM 6X18X0,1 | X |
| 6 | 40540404 | SHIM 6X12X0,15 | X |
| 6 | 40540405 | SHIM 6X14X0,15 | X |
| 6 | 40540406 | SHIM 6X16X0,15 | X |
| 6 | 40540407 | SHIM 6X18X0,15 | X |
| 6 | 40540408 | SHIM 6X12X0,2 | X |
| 6 | 40540409 | SHIM 6X14X0,2 | X |
| 6 | 40540410 | SHIM 6X16X0,2 | X |
| 6 | 40540411 | SHIM 6X18X0,2 | X |
| 6 | 48600095 | * SHIM 6X20X0,20 | X |
| 6 | 40540412 | SHIM 6X12X0,25 | X |
| 6 | 40540413 | SHIM 6X14X0,25 | X |
| 6 | 40540414 | SHIM 6X16X0,25 | X |
| 6 | 40540415 | SHIM 6X18X0,25 | X |
| 6 | 40540417 | SHIM 6X8,5X0,10 | X |
| 6 | 40540418 | SHIM 6X9X0,10 | X |
| 6 | 40540419 | SHIM 6X9,5X0,10 | X |
| 6 | 40540423 | SHIM 6X9,5X0,15 | X |
| 6 | 40540425 | SHIM 6X8,5X0,20 | X |
| 6 | 40540426 | SHIM 6X9X0,20 | X |
| 6 | 40540427 | SHIM 6X9,5X0,20 | X |
| 6 | 40540447 | SHIM 6X10X0,3 | X |
| 6 | 40540449 | SHIM 6X9X0,3 | X |
| 6 | 40540450 | SHIM 6X9,5X0,3 | X |
| 6 | 40540494 | SHIM 6X18X0,4 | X |
| 6 | 40540774 | SHIM 6X18X0,1 DELTA | X |
| 6 | 40541383 | SHIM 6X11X0,1 | X |
| 6 | 40541391 | SHIM 6X11X0,3 | X |
| 6 | 40541402 | SHIM 6X11X0,2 | X |
| 6 | 40541403 | SHIM 6X10X0,20 | X |
| 6 | 40541404 | SHIM 6X10X0,1 | X |
| 6 | 40541405 | SHIM 6X10X0,15 | X |
| 6 | 40541406 | SHIM 6X11X0,15 | X |
| 6 | 40541408 | SHIM 6X8,0X0,30 | X |

080000190

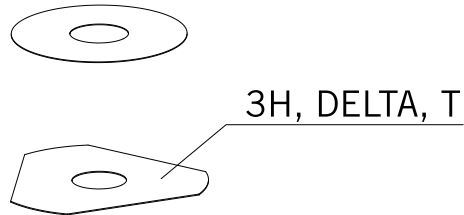
C130009090

* NEW PART

X ON DEMAND



- ⑤ Ø 5 mm
- ⑥ Ø 6 mm
- ⑧ Ø 8 mm
- ⑩ Ø 10 mm
- ⑫ Ø 12 mm
- ⑭ Ø 14-14,5 mm
- ⑯ Ø 16 mm
- ⑳ Ø 20 mm
- ㉑ Ø 21 mm
- ㉒ Ø 22 mm
- ㉓ Ø 23 mm
- ㉔ Ø 24,5 mm
- ㉘ Ø 28,5 mm
- ㉚ Ø 32 mm
- ㉜ Ø 52 mm



| POS | PARTNUMBER | PARTNAME | PIECE |
|-----|------------|----------------------|-------|
| 6 | 40541414 | SHIM 6X8,0X0,10 | X |
| 6 | 40541416 | SHIM 6X8X0,3 | X |
| 6 | 40541417 | SHIM 6X11X0,25 | X |
| 6 | 48600102 | * SHIM 6X24X0,25 | X |
| 6 | 48600063 | SHIM 6X24X0,1 | X |
| 6 | 48600064 | SHIM 6X22X0,1 | X |
| 6 | 48600065 | SHIM 6X20X0,1 | X |
| 6 | 48600069 | SHIM 6X20X0,15 | X |
| 6 | 48600100 | SHIM 6X24X0,15 | X |
| 6 | 48600116 | SHIM 6X24X0,1 DELTA | X |
| 6 | 48600139 | SHIM 6X22X0,1 DELTA | X |
| 6 | 48600217 | BACKPLATE 6X10X0,25 | X |
| 6 | 48600325 | SHIM 6X13X0,1 | X |
| 6 | 48600327 | SHIM 6X15X0,1 | X |
| 6 | 48600329 | SHIM 6X17X0,1 | X |
| 6 | 48600331 | SHIM 6X19X0,1 | X |
| 6 | 48600096 | * SHIM 6X20X0,25 | X |
| 6 | 48600097 | SHIM 6X22X0,15 | X |
| 6 | 48600099 | * SHIM 6X22X0,25 | X |
| 6 | 40540448 | BACKPLATE 6X8,5X0,30 | X |
| 6 | 48600479 | SHIM 6X20X0,1 T/3H | X |
| 6 | 48600332 | SHIM 6X21X0,1 | X |
| 6 | 48600333 | SHIM 6X23X0,1 | X |
| 6 | 40541393 | * SHIM 6X12X0,3 | X |
| 6 | 48600330 | SHIM 6X17X0,15 | X |
| 6 | 48600988 | SHIM 6X28X0,10 | X |
| 6 | 48600989 | SHIM 6X26X0,10 | X |
| 6 | 48601091 | SHIM 6X28X0,15 | X |
| 6 | 48601093 | SHIM 6X26X0,15 | X |
| 8 | 40540477 | SHIM 8X18X0,4 | X |
| 8 | 43570120 | SHIM 8X18X0,10 | X |
| 8 | 44916098 | WASHER 8,4X16X0,8 | X |
| 8 | 44916130 | WASHER 8,2X15X1 | X |
| 8 | 44916180 | WASHER 8,2X11X1 | X |
| 8 | 48600214 | SHIM 8X16X0,1 | X |
| 8 | 48600346 | SHIM 8X11X0,2 | X |
| 8 | 48600215 | CHECK VALVE 8X20X0,1 | X |
| 8 | 48600061 | CHECK VALVE 8X24X0,4 | X |

080000190

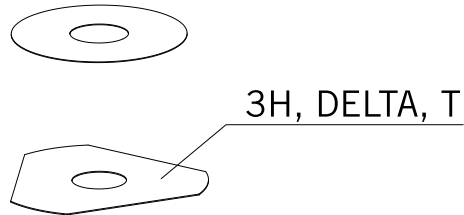
C130009090

* NEW PART

X ON DEMAND



- ⑤ Ø 5 mm
- ⑥ Ø 6 mm
- ⑧ Ø 8 mm
- ⑩ Ø 10 mm
- ⑫ Ø 12 mm
- ⑭ Ø 14-14,5 mm
- ⑯ Ø 16 mm
- ⑳ Ø 20 mm
- ㉑ Ø 21 mm
- ㉒ Ø 22 mm
- ㉓ Ø 23 mm
- ㉔ Ø 24,5 mm
- ㉘ Ø 28,5 mm
- ㉚ Ø 32 mm
- ㉜ Ø 52 mm



| POS | PARTNUMBER | PARTNAME | PIECE |
|-----|------------|------------------------|-------|
| 8 | 4860062 | CHECK VALVE 8X24X0,1 | X |
| 8 | 48600216 | CHECK VALVE 8X22X0,1 | X |
| 8 | 48600480 | SHIM 8X10X0,20 | X |
| 8 | 48600555 | SHIM 8X16X0,20 | X |
| 8 | 48600213 | SHIM 8X14X0,10 | X |
| 8 | 48600357 | CHECK VALVE 8X11X0,1 | X |
| 8 | 48600351 | CHECK VALVE 8X12X0,1 | X |
| 8 | 48600607 | SHUTTLE VALVE 8X20X0,4 | X |
| 8 | 48601095 | SHIM 8X17X0,10 | X |
| 10 | 36120284 | SHIM 10X16X0,10 | X |
| 10 | 36120298 | SHIM 10X16X0,2 | X |
| 10 | 36120312 | SHIM 10X16X0,30 | X |
| 10 | 36120314 | SHIM 10X18X0,30 | X |
| 10 | 36120325 | SHIM 10X19X0,15 | X |
| 10 | 36120327 | SHIM 10X23X0,15 | X |
| 10 | 36120328 | SHIM 10X25X0,15 | X |
| 10 | 36120329 | SHIM 10X27X0,15 | X |
| 10 | 36120330 | SHIM 10X29X0,15 | X |
| 10 | 36120331 | SHIM 10X31X0,15 | X |
| 10 | 36120332 | SHIM 10X33X0,15 | X |
| 10 | 36120334 | SHIM 10X21X0,20 | X |
| 10 | 36120335 | SHIM 10X23X0,20 | X |
| 10 | 36120336 | SHIM 10X25X0,20 | X |
| 10 | 36120337 | SHIM 10X27X0,20 | X |
| 10 | 36120338 | SHIM 10X29X0,20 | X |
| 10 | 36120339 | SHIM 10X31X0,20 | X |
| 10 | 36120340 | SHIM 10X33X0,20 | X |
| 10 | 36120342 | SHIM 10X21X0,25 | X |
| 10 | 36120343 | SHIM 10X23X0,25 | X |
| 10 | 36120344 | SHIM 10X25X0,25 | X |
| 10 | 36120345 | SHIM 10X27X0,25 | X |
| 10 | 36120349 | SHIM 10X19X0,30 | X |
| 10 | 36120350 | SHIM 10X21X0,30 | X |
| 10 | 40140275 | WASHER 10X35X0,15 | X |
| 10 | 36120346 | * SHIM 10X29X0,25 | X |
| 10 | 50180010 | * SHIM 16X24X0,10 | X |
| 10 | 36120604 | SHIM D10XD22X2,5 | X |
| 12 | 46810490 | SHIM 12X24X0,20 | X |

080000190

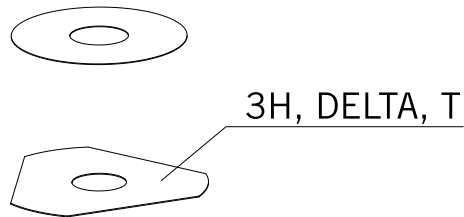
C130009090

* NEW PART

X ON DEMAND



- ⑤ Ø 5 mm
- ⑥ Ø 6 mm
- ⑧ Ø 8 mm
- ⑩ Ø 10 mm
- ⑫ Ø 12 mm
- ⑭ Ø 14-14,5 mm
- ⑯ Ø 16 mm
- ⑳ Ø 20 mm
- ㉑ Ø 21 mm
- ㉒ Ø 22 mm
- ㉓ Ø 23 mm
- ㉔ Ø 24,5 mm
- ㉘ Ø 28,5 mm
- ㉚ Ø 32 mm
- ㉜ Ø 52 mm



| POS | PARTNUMBER | PARTNAME | PIECE |
|-----|------------|----------------------|-------|
| 12 | 46810491 | SHIM 12X26X0,20 | X |
| 12 | 46810492 | SHIM 12X28X0,20 | X |
| 12 | 46810493 | SHIM 12X30X0,20 | X |
| 12 | 46810494 | SHIM 12X32X0,20 | X |
| 12 | 46810495 | SHIM 12X34X0,20 | X |
| 12 | 46810496 | SHIM 12X36X0,20 | X |
| 12 | 46810497 | SHIM 12X38X0,20 | X |
| 12 | 46810498 | SHIM 12X40X0,20 | X |
| 12 | 46810499 | SHIM 12X24X0,25 | X |
| 12 | 46810500 | SHIM 12X26X0,25 | X |
| 12 | 46810501 | SHIM 12X28X0,25 | X |
| 12 | 46810502 | SHIM 12X30X0,25 | X |
| 12 | 46810504 | SHIM 12X34X0,25 | X |
| 12 | 46810505 | SHIM 12X36X0,25 | X |
| 12 | 46810507 | SHIM 12X40X0,25 | X |
| 12 | 46810508 | SHIM 12X24X0,30 | X |
| 12 | 46810509 | SHIM 12X26X0,30 | X |
| 12 | 46810510 | SHIM 12X28X0,30 | X |
| 12 | 46810512 | SHIM 12X32X0,30 | X |
| 12 | 46810513 | SHIM 12X34X0,30 | X |
| 12 | 46810518 | SHIM 12X26X0,15 | X |
| 12 | 46810519 | SHIM 12X28X0,15 | X |
| 12 | 46810520 | SHIM 12X30X0,15 | X |
| 12 | 46810521 | SHIM 12X32X0,15 | X |
| 12 | 46810522 | SHIM 12X34X0,15 | X |
| 12 | 46810523 | SHIM 12X36X0,15 | X |
| 12 | 46810524 | SHIM 12X38X0,15 | X |
| 12 | 46810525 | SHIM 12X40X0,15 | X |
| 12 | 46810604 | SHIM 12X20X0,10 | X |
| 12 | 46810606 | SHIM 12X22X0,10 | X |
| 12 | 46810607 | SHIM 12X23X0,10 | X |
| 12 | 46810608 | SHIM 12X24X0,10 | X |
| 12 | 46810610 | SHIM 12X27X0,15 | X |
| 12 | 46810611 | SHIM 12X18X0,15 | X |
| 12 | 46810612 | SHIM 12X19X0,15 | X |
| 12 | 46810615 | SHIM 12X22X0,15 | X |
| 12 | 46810636 | BACKPLATE 12X16X0,30 | X |
| 12 | 46810637 | BACKPLATE 12X17X0,30 | X |

080000190

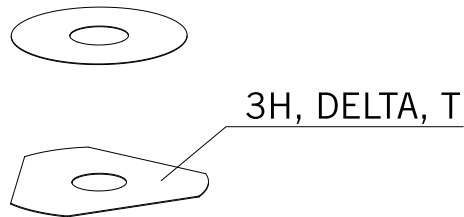
C130009090

* NEW PART

X ON DEMAND



- ⑤ Ø 5 mm
- ⑥ Ø 6 mm
- ⑧ Ø 8 mm
- ⑩ Ø 10 mm
- ⑫ Ø 12 mm
- ⑭ Ø 14-14,5 mm
- ⑯ Ø 16 mm
- ⑳ Ø 20 mm
- ㉑ Ø 21 mm
- ㉒ Ø 22 mm
- ㉓ Ø 23 mm
- ㉔ Ø 24,5 mm
- ㉘ Ø 28,5 mm
- ㉚ Ø 32 mm
- ㉜ Ø 52 mm



| POS | PARTNUMBER | PARTNAME | PIECE |
|-----|------------|----------------------|-------|
| 12 | 46810638 | BACKPLATE 12X18X0,30 | X |
| 12 | 46810639 | SHIM 12X19X0,30 | X |
| 12 | 46810641 | BACKPLATE 12X21X0,30 | X |
| 12 | 46811582 | BACKPLATE 12X30X0,10 | X |
| 12 | 46810631 | SHIM 12X20X0,25 | X |
| 12 | 46810633 | SHIM 12X22X0,25 | X |
| 12 | 46811580 | SHIM 12X32X0,10 | X |
| 12 | 46810503 | SHIM 12X32X0,25 | X |
| 12 | 46810517 | * SHIM 12X24X0,15 | X |
| 12 | 46810640 | SHIM 12X20X0,30 | X |
| 12 | 46811258 | RING 12X24X2,5 | X |
| 14 | 46811046 | SHIM 14,5X35,4X1,25 | X |
| 16 | 50180023 | * SHIM 16X23X0,20 | X |
| 16 | 50180030 | SHIM | X |
| 16 | 50180006 | BACKPLATE 16X20X0,10 | X |
| 16 | 50180007 | SHIM 16X21X0,10 | X |
| 16 | 50180028 | SHIM 16X21X0,25 | X |
| 16 | 50180210 | WASHER 16X21X1 | X |
| 16 | 50180008 | SHIM 16X22X0,10 | X |
| 16 | 50180022 | SHIM 16X22X0,20 | X |
| 16 | 50180037 | SHIM 16X23X0,30 | X |
| 16 | 50180038 | SHIM 16X24X0,30 | X |
| 16 | 50180032 | SHIM 15X25X0,25 | X |
| 16 | 50180039 | SHIM 16X25X0,30 | X |
| 16 | 50180012 | SHIM 16X26X0,10 | X |
| 16 | 50180019 | SHIM 16X26X0,15 | X |
| 16 | 50180026 | SHIM 16X26X0,20 | X |
| 16 | 50180040 | SHIM 16X26X0,30 | X |
| 16 | 50180041 | SHIM 16X28X0,10 | X |
| 16 | 50180045 | SHIM 16X28X0,15 | X |
| 16 | 50180054 | SHIM 16X28X0,20 | X |
| 16 | 50180063 | SHIM 16X28X0,25 | X |
| 16 | 50180072 | SHIM 16X28X0,30 | X |
| 16 | 50180046 | SHIM 16X30X0,15 | X |
| 16 | 50180055 | SHIM 16X30X0,20 | X |
| 16 | 50180064 | SHIM 16X30X0,25 | X |
| 16 | 50180073 | SHIM 16X30X0,30 | X |
| 16 | 50180047 | SHIM 16X32X0,15 | X |

080000190

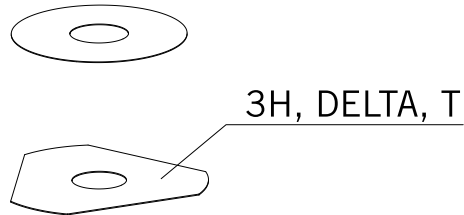
C130009090

* NEW PART

X ON DEMAND



- ⑤ Ø 5 mm
- ⑥ Ø 6 mm
- ⑧ Ø 8 mm
- ⑩ Ø 10 mm
- ⑫ Ø 12 mm
- ⑭ Ø 14-14,5 mm
- ⑯ Ø 16 mm
- ⑳ Ø 20 mm
- ㉑ Ø 21 mm
- ㉒ Ø 22 mm
- ㉓ Ø 23 mm
- ㉔ Ø 24,5 mm
- ㉘ Ø 28,5 mm
- ㉚ Ø 32 mm
- ㉜ Ø 52 mm



| POS | PARTNUMBER | PARTNAME | PIECE |
|-----|------------|-----------------------------|-------|
| 16 | 50180056 | SHIM 16X32X0,20 | X |
| 16 | 50180065 | SHIM 16X32X0,25 | X |
| 16 | 50180074 | SHIM 16X32X0,30 | X |
| 16 | 50180044 | SHIM 16X34X0,10 | X |
| 16 | 50180048 | SHIM 16X34X0,15 | X |
| 16 | 50180057 | SHIM 16X34X0,20 | X |
| 16 | 50180066 | SHIM 16X34X0,25 | X |
| 16 | 50180075 | SHIM 16X34X0,30 | X |
| 16 | 50180049 | SHIM 16X36X0,15 | X |
| 16 | 50180058 | SHIM 16X36X0,20 | X |
| 16 | 50180067 | SHIM 16X36X0,25 | X |
| 16 | 50180076 | SHIM 16X36X0,30 | X |
| 16 | 50180050 | SHIM 16X38X0,15 | X |
| 16 | 50180059 | SHIM 16X38X0,20 | X |
| 16 | 50180068 | SHIM 16X38X0,25 | X |
| 16 | 50180077 | SHIM 16X38X0,30 | X |
| 16 | 50180051 | SHIM 16X40X0,15 | X |
| 16 | 50180060 | SHIM 16X40X0,20 | X |
| 16 | 50180069 | SHIM 16X40X0,25 | X |
| 16 | 50180078 | SHIM 16X40X0,30 | X |
| 16 | 50180052 | SHIM 16X42X0,15 | X |
| 16 | 50180061 | SHIM 16X42X0,20 | X |
| 16 | 50180070 | SHIM 16X42X0,25 | X |
| 16 | 50180079 | SHIM 16X42X0,30 | X |
| 16 | 50180053 | SHIM 16X44X0,15 | X |
| 16 | 50180062 | SHIM 16X44X0,20 | X |
| 16 | 50180071 | SHIM 16X44X0,25 | X |
| 16 | 50180080 | SHIM 16X44X0,30 | X |
| 16 | 50180177 | WASHER 16X8,2X0,6 | X |
| 16 | 50180033 | SHIM 16X26X0,25 | X |
| 16 | 50180034 | BACKPLATE 16X20X0,30 | X |
| 16 | 50180035 | BACKPLATE 16X21X0,30 | X |
| 16 | 50180036 | BACKPLATE 16X22X0,30 | X |
| 16 | 50180043 | SHIM | X |
| 16 | 50180024 | * SHIM 16X24X0,20 | X |
| 16 | 50180027 | * SHIM 16X20X0,25 | X |
| 16 | 50180031 | SHIM | X |
| 20 | 48600212 | PRESSURE-RING 20X16,25X0,20 | X |

080000190

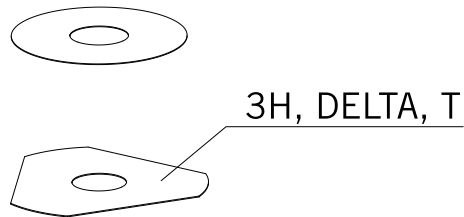
C130009090

* NEW PART

X ON DEMAND



- ⑤ Ø 5 mm
- ⑥ Ø 6 mm
- ⑧ Ø 8 mm
- ⑩ Ø 10 mm
- ⑫ Ø 12 mm
- ⑭ Ø 14-14,5 mm
- ⑯ Ø 16 mm
- ⑳ Ø 20 mm
- ㉑ Ø 21 mm
- ㉒ Ø 22 mm
- ㉓ Ø 23 mm
- ㉔ Ø 24,5 mm
- ㉘ Ø 28,5 mm
- ㉚ Ø 32 mm
- ㉜ Ø 52 mm



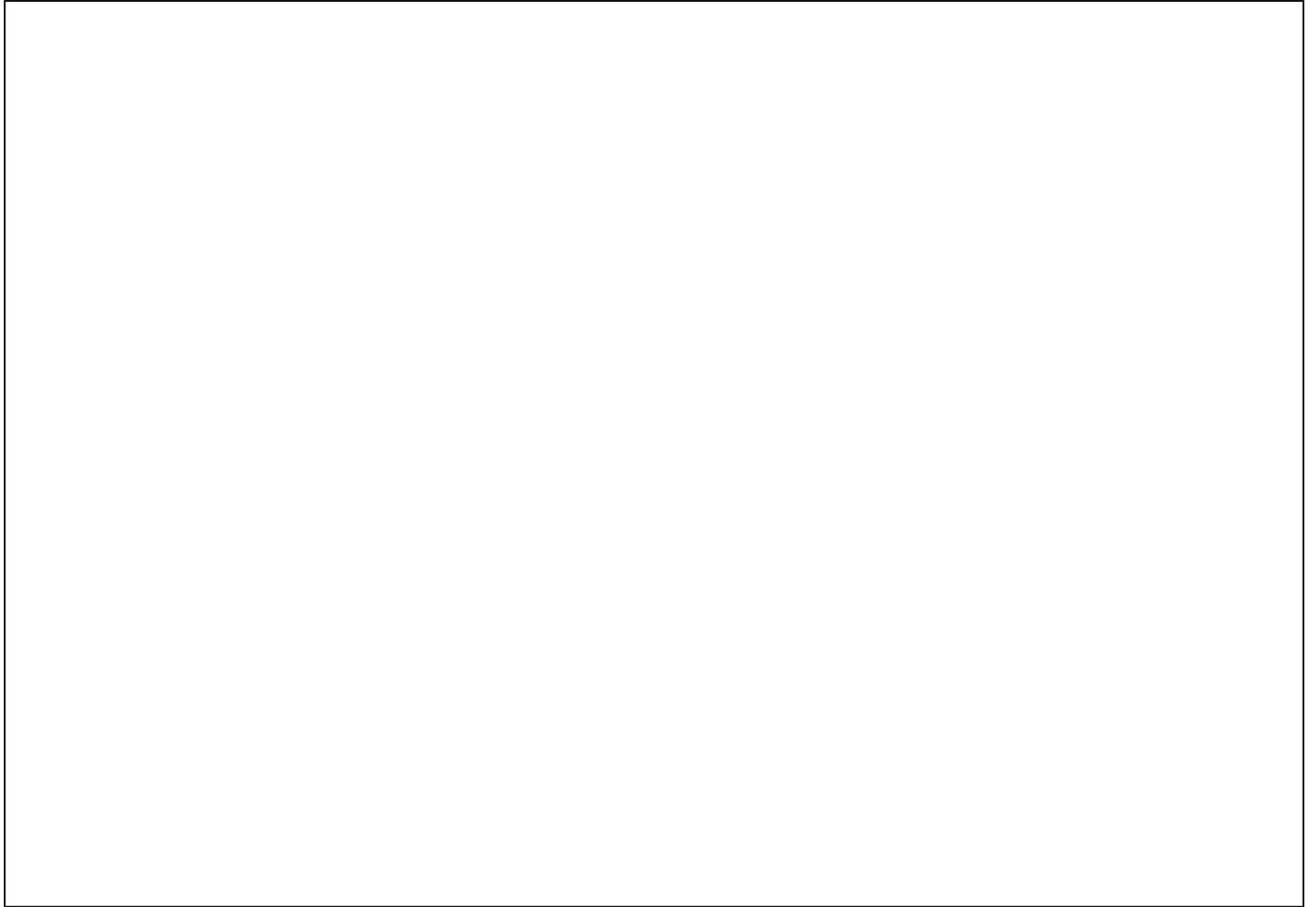
| POS | PARTNUMBER | PARTNAME | PIECE |
|-----|------------|--------------------------|-------|
| 20 | 50180666 | SHIM 20X24X0,30 | X |
| 20 | 50180654 | SHIM 20X36X0,20 | X |
| 20 | 50180655 | SHIM 20X38X0,20 | X |
| 20 | 50180656 | SHIM 20X40X0,20 | X |
| 20 | 50180665 | SHIM 20X40X0,25 | X |
| 20 | 50180662 | SHIM 20X34X0,25 | X |
| 20 | 50180657 | SHIM 20X24X0,25 | X |
| 20 | 50180653 | SHIM 20X34X0,20 | X |
| 20 | 50180634 | RING 20X22,9X1 | X |
| 20 | 50180650 | SHIM 20,2X28X0,20 | X |
| 20 | 50180663 | SHIM 20X36X0,25 | X |
| 20 | 50180664 | SHIM 20X38X0,25 | X |
| 20 | 50180659 | SHIM 20,2X28X0,25 | X |
| 21 | 50180209 | WASHER 21X36X0,25 | X |
| 22 | 50180330 | * PRESS. RING 22X18X0,30 | X |
| 23 | 50180635 | SHUTTLE VALVE 23X38X0,25 | X |
| 23 | 50180578 | SHIM D23XD16X2 | X |
| 24 | 40541061 | WASHER 24,5X34X2 | X |
| 28 | 36120469 | SHIM 28,5X14X2 | X |
| 28 | 36120471 | SHIM 28,5X14X5 | X |
| 32 | 48600460 | WASHER 32X42X2,5 | X |
| 32 | 50600065 | SHIM 32X45X2 | X |
| 32 | 46811637 | PRESSURE RING 36X32,25 | X |
| 52 | 50600002 | SHIM 52X59X2,2 | X |

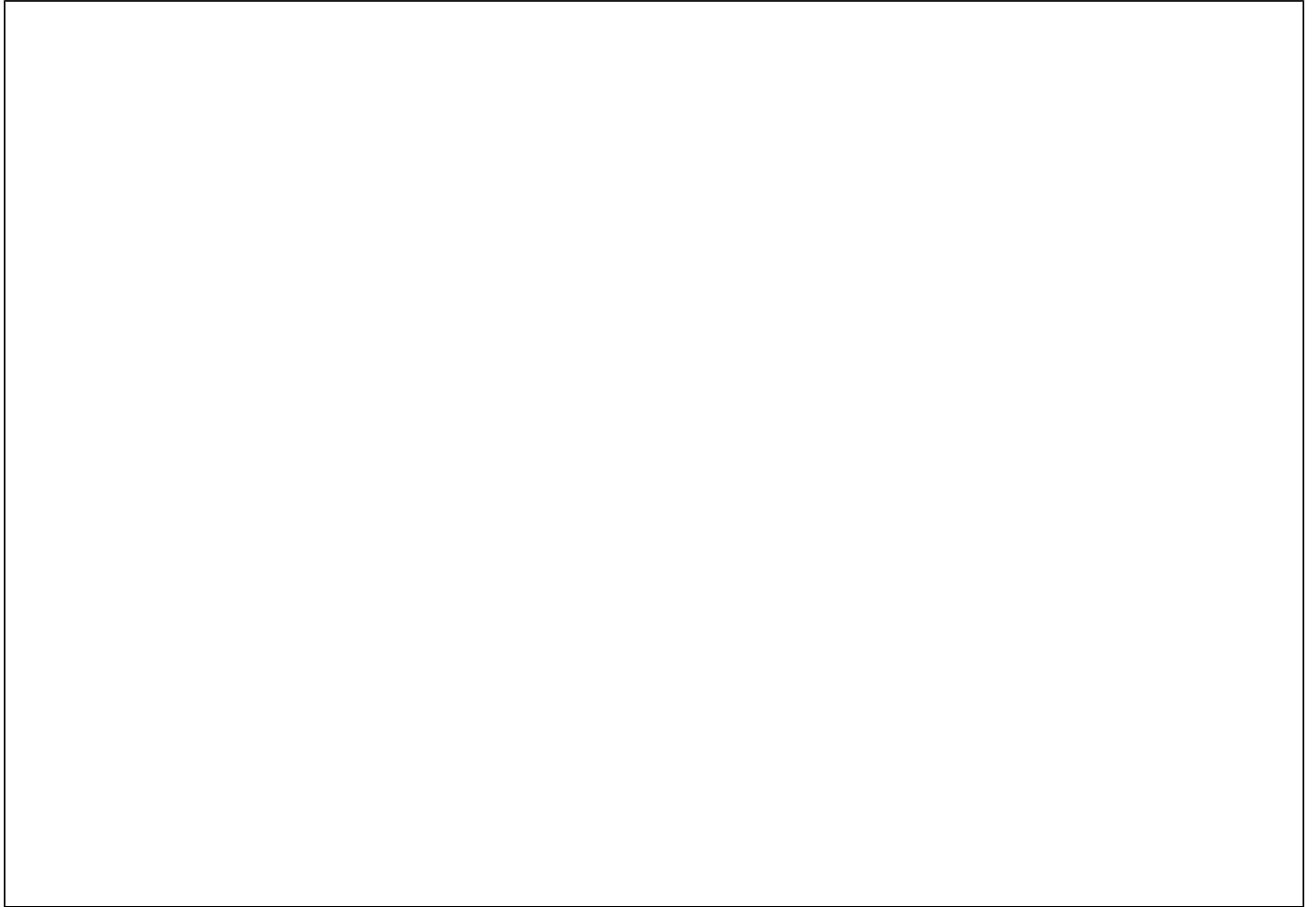
080000190

C130009090

* NEW PART

X ON DEMAND







3CFF2275N4EN



Husqvarna Motorcycles GmbH
Stallhofnerstraße 3 | 5230 Mattighofen | Austria
www.husqvarna-motorcycles.com



THE PIONEERS OF MOTOCROSS

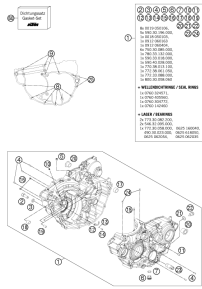
SPAREPARTSCATALOG

ENGINE

ART.-NR.: 3CM089393NEN

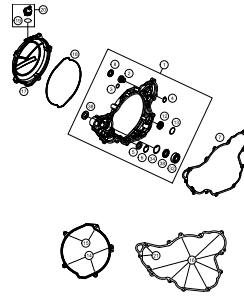
FE 350 2014

ENGINE CASE



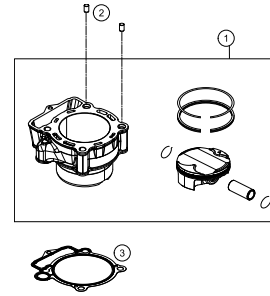
3

CLUTCH COVER



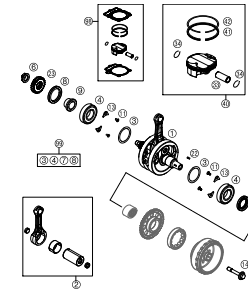
4

CYLINDER



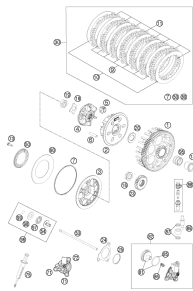
5

CRANKSHAFT, PISTON



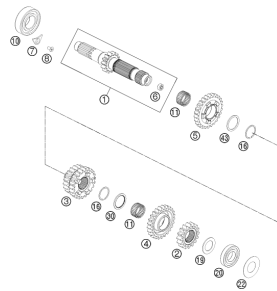
6

CLUTCH



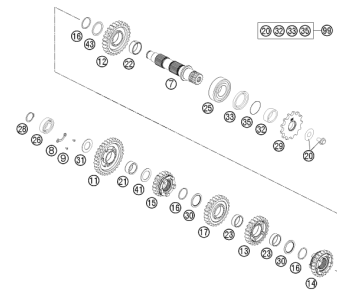
7

TRANSMISSION I - MAIN SHAFT



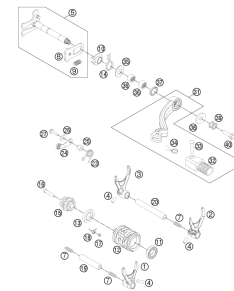
9

TRANSMISSION II - COUNTERSHAFT



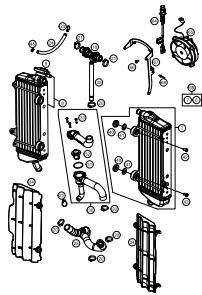
10

SHIFTING MECHANISM



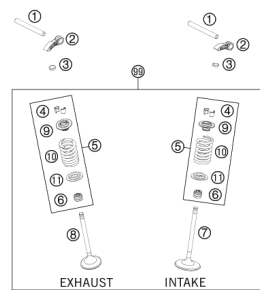
11

COOLING SYSTEM



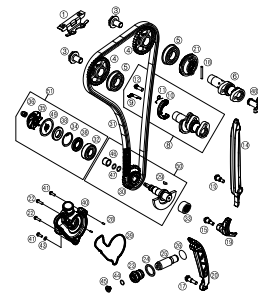
12

VALVE DRIVE



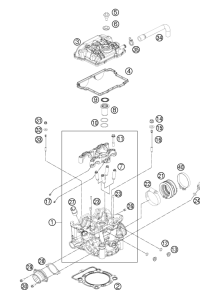
13

TIMING DRIVE



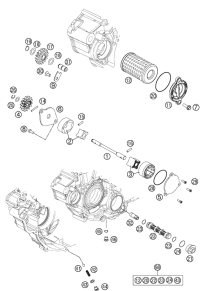
14

CYLINDER HEAD



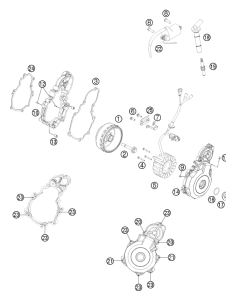
16

LUBRICATING SYSTEM



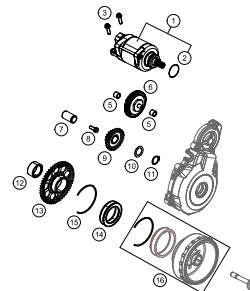
17

IGNITION SYSTEM



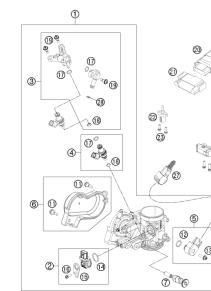
18

ELECTRIC STARTER



19

THROTTLE BODY

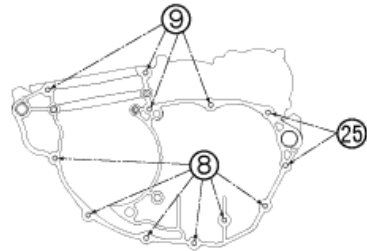


20



All information contained is without obligation. HUSQVARNA MOTORCYCLES GmbH particularly reserves the right to modify any equipment, technical specifications, prices, colors, shapes, materials, services, service work, constructions, equipment and the like so as to adapt them to local conditions or to cancel any of the above items, all without previous announcement and without giving reasons. KTM may stop manufacturing certain models without previous notice. HUSQVARNA MOTORCYCLES shall not be held liable for any deviations of availability and/or ability to deliver, illustrations, descriptions, printing and/or other errors. The illustrated models partly contain extra equipment, which is not applied to standard models.

© by HUSQVARNA MOTORCYCLES GmbH, Mattighofen AUSTRIA; All rights reserved; Reprint, also in extracts, with written allowance of HUSQVARNA MOTORCYCLES GmbH, Mattighofen only.

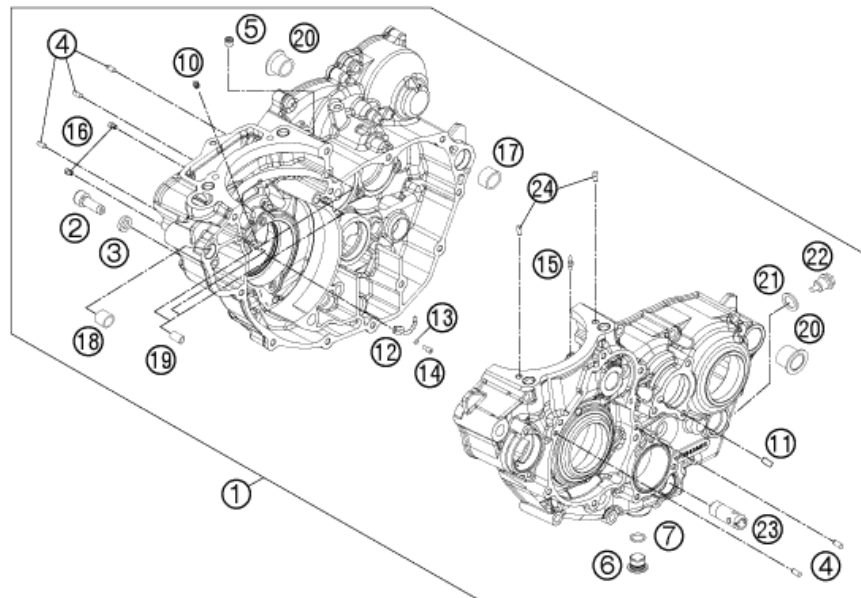


| | | | | | | | |
|---|---|---|---|---|---|---|---|
| ② | ③ | ④ | ⑤ | ⑥ | ⑦ | ⑩ | ⑪ |
| ⑫ | ⑬ | ⑭ | ⑮ | ⑯ | ⑰ | ⑱ | |
| | | | | | ⑳ | ㉑ | ㉒ |
| | | | | | | ㉓ | ㉔ |

8x 0019 050106,
5x 590.30.196.000,
1x 0018 050103,
1x 0912 060163
1x 0912 060404,
6x 750.30.085.000,
1x 780.33.132.000,
1x 590.33.018.000,
1x 590.40.028.000,
1x 770.38.013.100,
1x 772.38.061.050,
1x 772.33.088.000,
1x 800.30.058.060

+ WELLENDICHTRINGE / SEAL RINGS
1x 0760 324571,
1x 0760 405560,
1x 0760 304772,
1x 0760 142460

+ LAGER / BEARINGS
2x 773.30.082.200, 0625 160040,
2x 546.32.095.000, 490.30.023.000, 0625 618050,
1x 772.30.058.000, 0625 160040,
490.30.023.000, 0625 618050,
0625 062054, 0625 062035



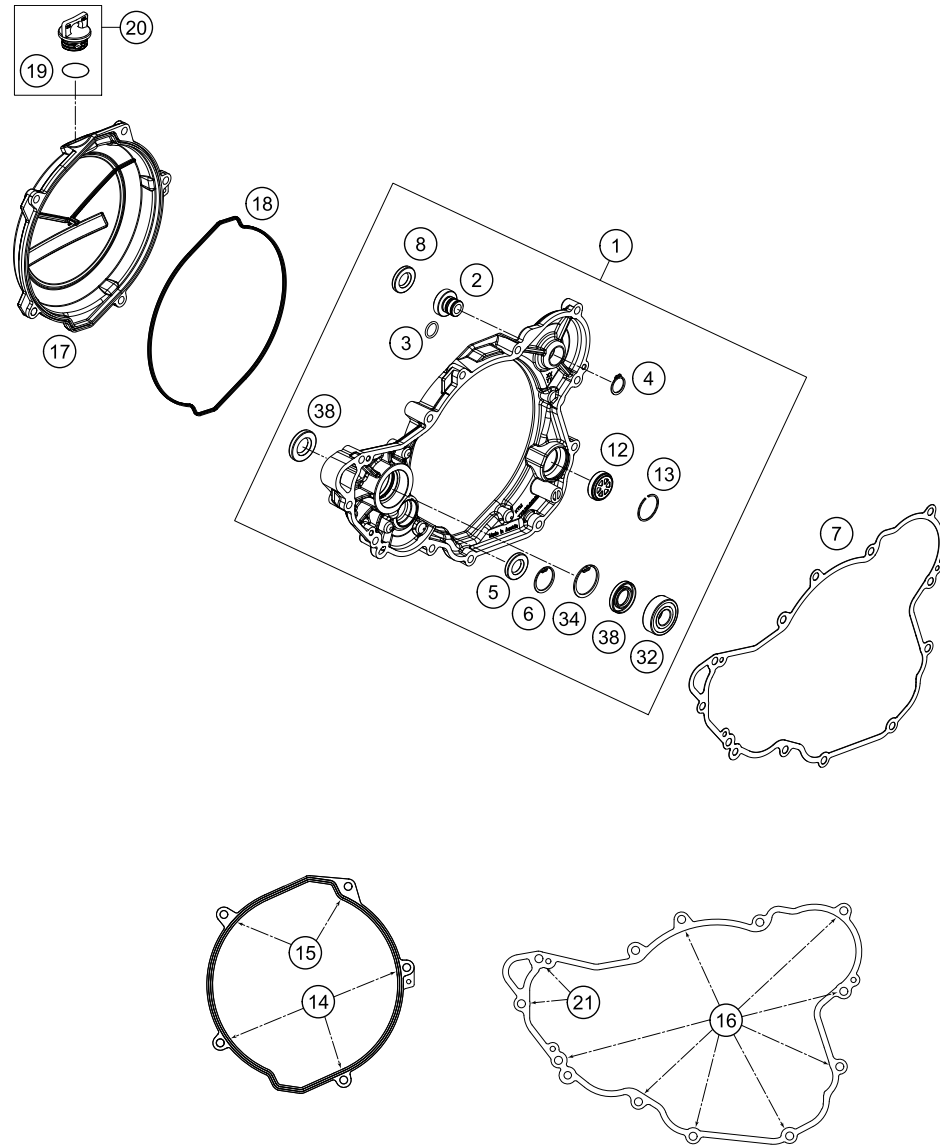
| POS | PARTNUMBER | PARTNAME | PIECE |
|-----|-------------|--------------------------------|-------|
| 1 | 77730000044 | ENGINE CASE CPL. | 1 |
| 2 | 58030080000 | LOCATING SCREW M8 L=23 | 1 |
| 3 | 58030081000 | CU-SEAL RING 8 X 14 X 3 | 1 |
| 4 | 0402040980 | NEEDLE ROL.DIN5402 NRB 4X9,8 | 5 |
| 5 | 0906100100 | PLUG DIN0906-M10X1 | 1 |
| 6 | 78036081000 | HOLDING BOLT M14X1,5 | 1 |
| 7 | 0770110015 | O-RING 1,5x11 SILICON | 1 |
| 8 | 0025060556 | HH COLLAR SCREW M6X55 TX30 | 6 |
| 9 | 0025060656 | HH COLLAR SCREW M6X65 TX30 | 4 |
| 10 | 80030058060 | OIL JET "60" M4 | 1 |
| 11 | 77230066000 | THROTTLE M5X10X0,5 | 1 |
| 12 | 77830064050 | OIL JET CURVED " 50 " | 1 |
| 13 | 0770035020 | O-RING 3,5X2,00 NBR | 1 |
| 14 | 0912040103 | AH.SCREW DIN0912-M 4X10 | 1 |
| 15 | 60030063050 | OIL JET 50 05 | 1 |
| 16 | 59030058000 | JET 100 BING(44-031/180) M4 | 2 |
| 17 | 59030024000 | DOWEL 17 X 19 X 12 | 1 |
| 18 | 54630027000 | DOWEL BUSHING 13,8X11X12 | 1 |
| 19 | 59030023000 | DOWEL 6X8X11,5 | 3 |
| 20 | 75030010100 | CASE BUSH | 2 |
| 21 | 58038022000 | CU-SEAL RING DIN7603-12X18X1,5 | 1 |
| 22 | 58030021000 | OILDRAIN PLUG W.MAG. M 12X1,5 | 1 |
| 23 | 77038022000 | OIL INTAKEPIPE | 1 |
| 24 | 0402050080 | CYLINDER ROLLER ZRO 5X8 | 2 |
| 25 | 0025060856 | HH COLLAR SCREW M6X85 TX30 | 2 |
| 60 | 77230099000 | GASKET SET 350 SX-F | 1 |

137753010

C148133010

* NEW PART

X ON DEMAND



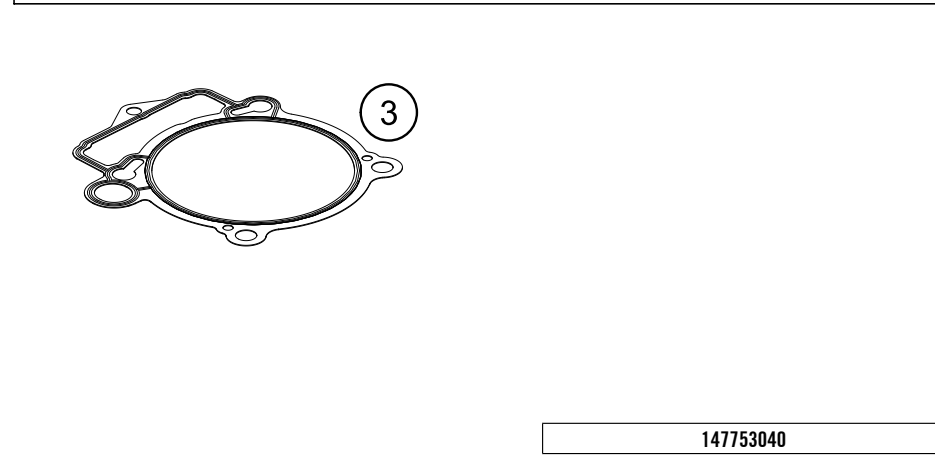
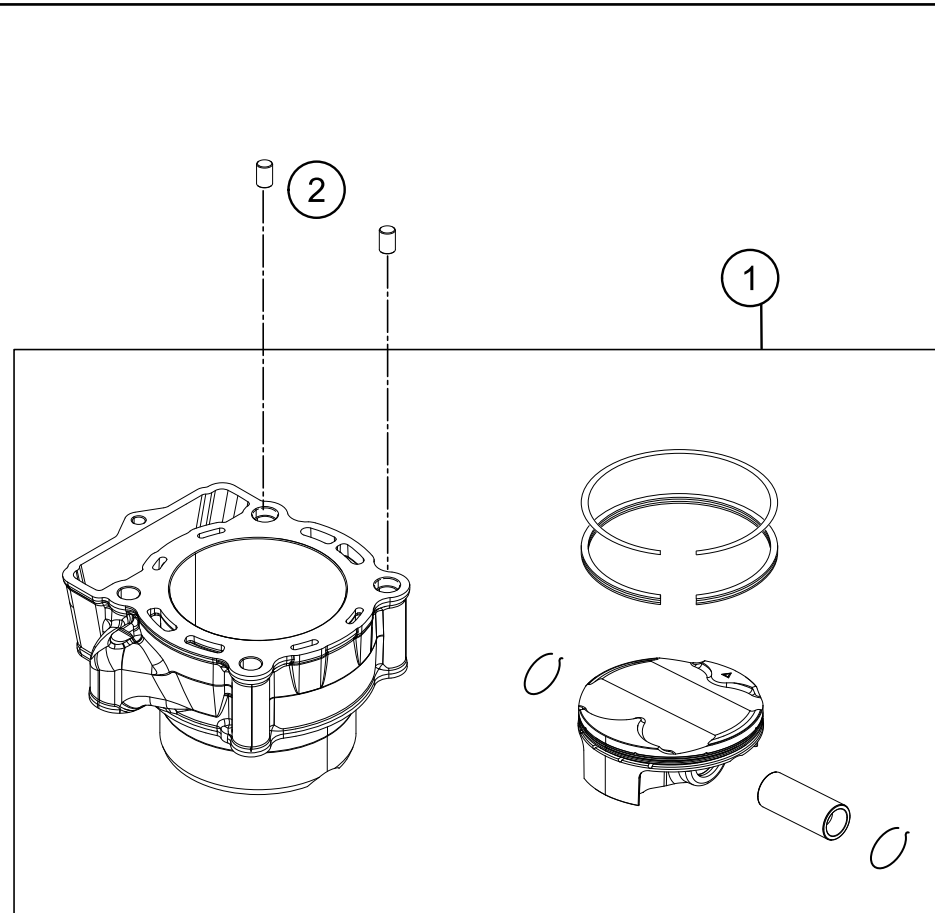
| POS | PARTNUMBER | PARTNAME | PIECE |
|-----|---------------|--------------------------------|-------|
| 1 | 77230001144 | CLUTCH COVER CPL. | 1 |
| 2 | 77230001010 | PLUG STARTING LEVER | 1 |
| 3 | 0770140200 | O-RING 14,00X2,00 | 1 |
| 4 | 0471170010 | CIRCLIP DIN0471-17X1 | 1 |
| 5 | 0760142450 | SHAFT SEAL RING 14X24X5 VITON | 1 |
| 6 | 0472024120 | CIRCLIP DIN0472-24X1.2 | 1 |
| 7 | 77230025000 | CLUTCH COVER GASKET | 1 |
| 8 | 0760172870 | SHAFT SEAL RING 17X28X7 B | 1 |
| 12 | 59030019100 | OIL LEVEL GLASS | 1 |
| 13 | 61030019050 | CIRCLIP OIL LEVEL GLASS 03 | 1 |
| 14 | 0025060206 | HH COLLAR SCREW M6X20 TX30 | 3 |
| 15 | 0025060456 | HH COLLAR SCREW M6X45 TX30 | 2 |
| 16 | 0025060256 | HH COLLAR SCREW M6X25 TX30 | 8 |
| 17 | 77230626000KA | OUTER CLUTCH COVER "HQV" | 1 |
| 18 | 77230027000 | GASKET FOR OUTER CLUTCH COVER | 1 |
| 19 | 0770191015 | O-RING 19,00X3,00 NBR | 1 |
| 20 | 58030120000 | OIL FILLER CAP M24x3 WITH O-R | 1 |
| 21 | 0025060406 | HH COLLAR SCREW M6X40 TX30 | 2 |
| 32 | 0625062022 | BALL BEARING 6202 C0 2 | 1 |
| 34 | 0472300120 | CIRCLIP 30X1,2 | 1 |
| 38 | 07601530451 | SHAFT SEAL RING 15X30X4.5 BAUD | 2 |

147753020

C148133022

* NEW PART

X ON DEMAND



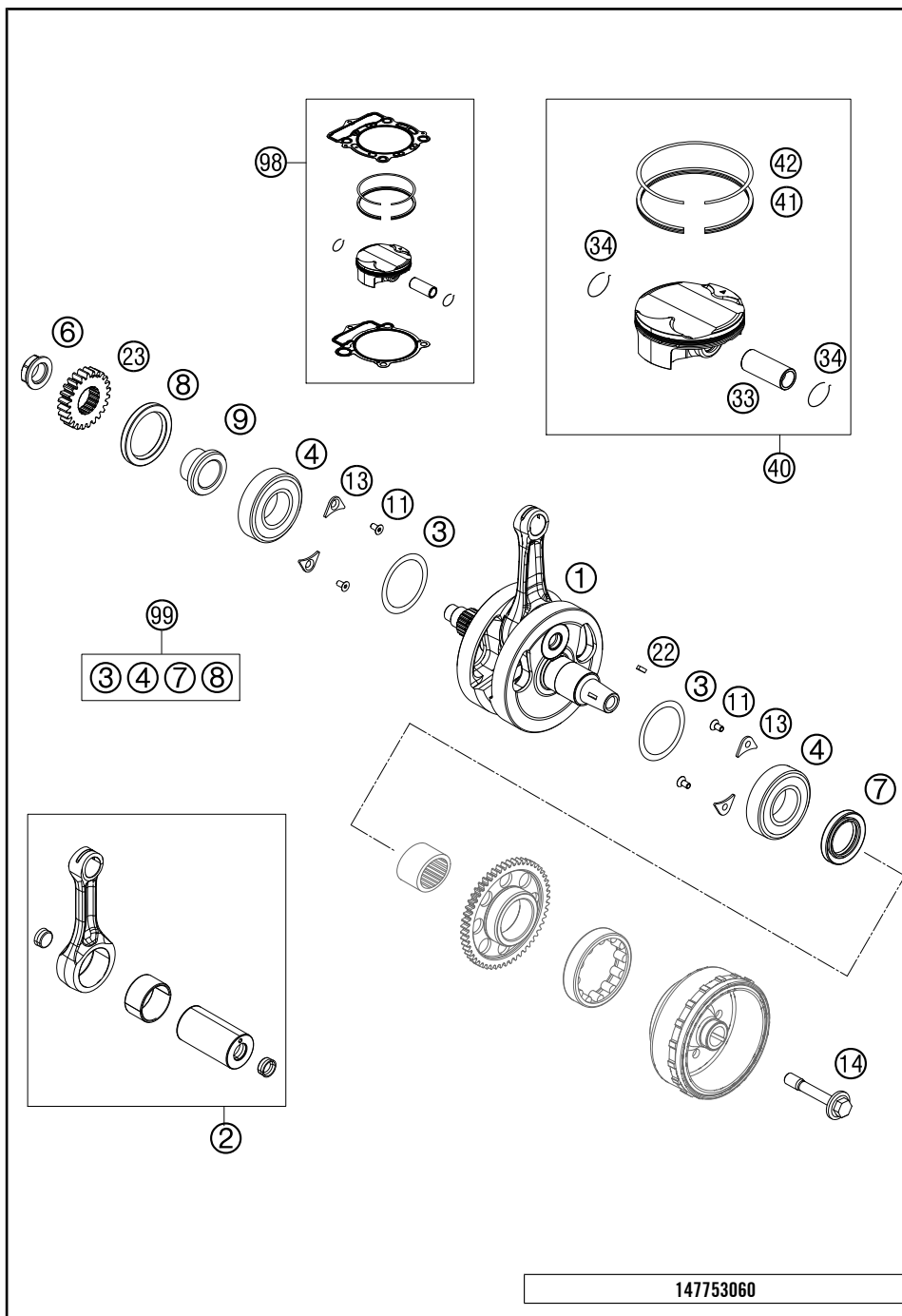
| POS | PARTNUMBER | PARTNAME | PIECE |
|-----|-------------|----------------------------|-------|
| 1 | 77230138200 | CYLINDER + PISTON | 1 |
| 2 | 58530014100 | DOWEL BUSHING 10,2X12,5X10 | 2 |
| 3 | 77230035000 | CYLINDER BASE GASKET | 1 |

147753040

C148133040

* NEW PART

X ON DEMAND

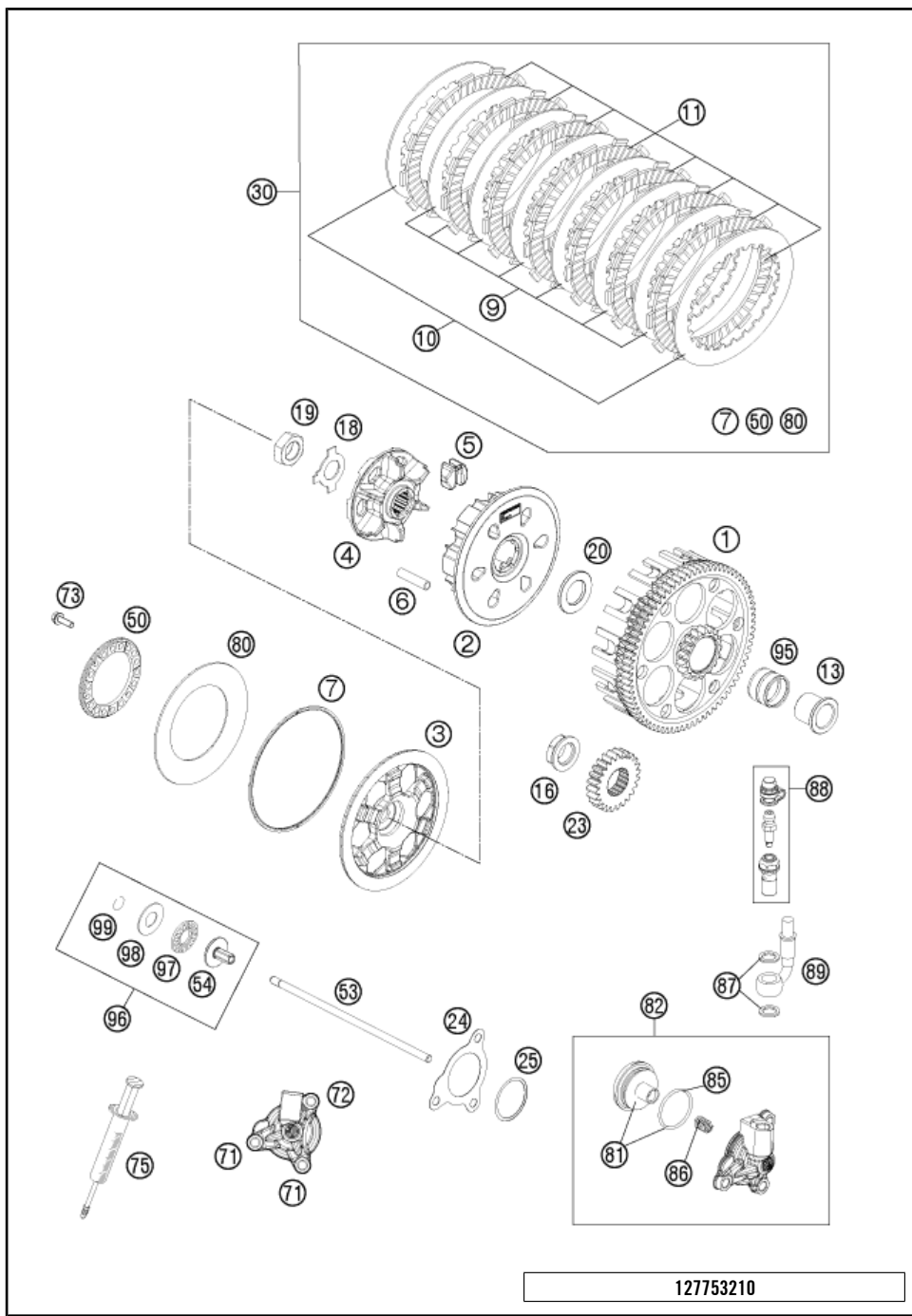


| POS | PARTNUMBER | PARTNAME | PIECE |
|-----|----------------|--------------------------------|-------|
| 1 | 77530018200 | CRANKSHAFT CPL. | 1 |
| 2 | 77830015044 | CONNECTING ROD REPAIR SET | 1 |
| 3 | 0988324510 | THRUST WASHER 988ST 32X0,1 | x |
| 3 | 0988324515 | THRUST WASHER 988ST 32X0,15 | x |
| 3 | 0988324530 | THRUST WASHER 988ST 32X0,30 | x |
| 4 | 77330082200 | BEARING NJ 206 ECP/HN3C4HVA624 | 2 |
| 6 | 77230029000 | NUT PRIMARY WHEEL | 1 |
| 7 | 0760304772 | SH.SEAL RING 30X47X7 BSL VITON | 1 |
| 8 | 0760405560 | SHAFT SEAL RING A40x55x6 VITON | 1 |
| 9 | 77232022000 | SPACER BUSHING PRIMARY GEAR | 1 |
| 11 | 0019050106S | INT. TORX FLAT HEAD M5X10 10.9 | 4 |
| 13 | 75030085000 | RETAINING PLATE F. CS BEARING | 4 |
| 14 | 77339010100 | FLYWHEEL SCREW | 1 |
| 22 | 0888030037 | WOODRUFF KEY DIN6888-3X3,7 | 1 |
| 23 | 77232023024 | PRIMARY GEAR 24T. | 1 |
| 33 | 77230133000 | PISTON PIN 350 | 1 |
| 34 | 77230174000 | CIRCLIP | 2 |
| 40 | 77530107100 I | PISTON I CPL. 350 | x |
| 40 | 77530107100 II | PISTON II CPL. 350 | x |
| 41 | 77230032100 | SCRAPER RING 350 | 1 |
| 42 | 77230030000 | COMPRESSIONRING 350 | 1 |
| 98 | 77530007010 I | PISTON KIT GR. I 350 EXC-F 14 | x |
| 98 | 77530007010 II | PISTON KIT GR. II 350 EXC-F 14 | x |
| 99 | 00050002311 | CRANKSHAFT REP. KIT SX-F 13-14 | x |

147753060

C148133061

* NEW PART X ON DEMAND



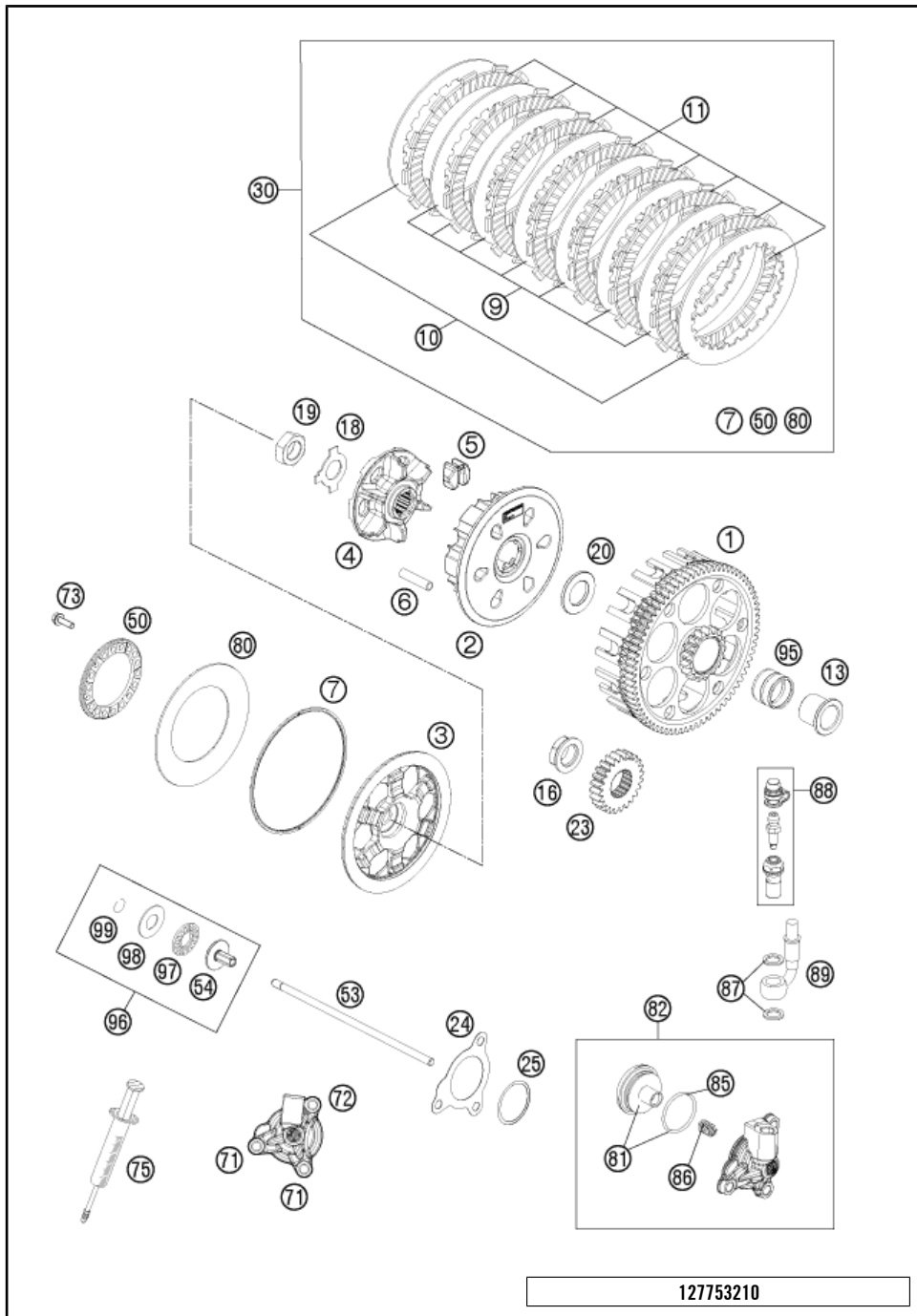
127753210

| POS | PARTNUMBER | PARTNAME | PIECE |
|-----|-------------|--------------------------------|-------|
| 1 | 77232001073 | OUTER CLUTCH CPL. | 1 |
| 2 | 78132002200 | INNER CLUTCH HUB 450SX-F 2014 | 1 |
| 3 | 78132003000 | PRESSURE PLATE | 1 |
| 4 | 78132002111 | HUB | 1 |
| 5 | 78132025100 | DAMPING RUBBER | 6 |
| 6 | 78132004000 | SLEEVE 7,5X33.4 | 6 |
| 7 | 78132013000 | WASHER 112X118X1.5 | 1 |
| 9 | 59032010200 | INTERMEDIATE DISC 1,4MM 2002 | 7 |
| 10 | 59032010100 | INTERMEDIATE DISC 1MM 2002 | 2 |
| 11 | 59032011100 | LINING DISC 2MM 04 | 8 |
| 13 | 77232015000 | INNER RING | 1 |
| 16 | 77230029000 | NUT PRIMARY WHEEL | 1 |
| 18 | 56532018000 | LOCK WASHER | 1 |
| 19 | 0936181505 | HEXAGON NUT DIN0936-M18X1,5 R. | 1 |
| 20 | 77232009000 | WASHER 21,8 X 37 X 5,1 | 1 |
| 23 | 77232023024 | PRIMARY GEAR 24T. | 1 |
| 24 | 77232062000 | GASKET F. OUTPUT CYLINDER | 1 |
| 25 | 0770300015 | O-RING 30,00X1,50 NBR 70 | 1 |
| 30 | 78132010110 | CLUTCH KIT 350 EXC-F 12-14 | 1 |
| 50 | 78132006100 | SPRING RING | 1 |
| 53 | 77232054000 | PUSH ROD | 1 |
| 54 | 78032057000 | PRESSURE PIECE | 1 |
| 71 | 0025060166 | HH COLLAR SCREW M6X16 TX30 | 2 |
| 72 | 0025060356 | HH COLLAR SCREW M6X35 TX30 | 1 |
| 73 | 0025050166 | HH COLLAR SCREW M5X16 TX30 | 6 |
| 75 | 50329050000 | VENT INJEKTION HYDR. CLUTCH | 1 |
| 80 | 78132005000 | BELLEVILLE SPRING 71X115X1,5 I | 1 |
| 81 | 77232066000 | PISTON CPL. | 1 |
| 82 | 77232061044 | OUTPUT CYLINDER CPL. | 1 |
| 85 | 54832067000 | O-RING | 1 |
| 86 | 54832069000 | PRESSURE SPRING | 1 |
| 87 | 42013226000 | CU-SEAL RING DIN7603-10X16X1 | 2 |
| 88 | 62513020000 | BLEEDER SCREW CPL. 05 | 1 |
| 89 | 54832063000 | CLUTCH PIPE 06 | 1 |
| 95 | 56532095000 | NEEDLE BEARING K26X30X22ZW.KSE | 1 |
| 96 | 78032057044 | PRESSURE PIECE CPL. 08 | 1 |
| 97 | 54637097200 | AXIAL NEEDLE BEARING AXK 1226 | 1 |

C148133211

* NEW PART

X ON DEMAND



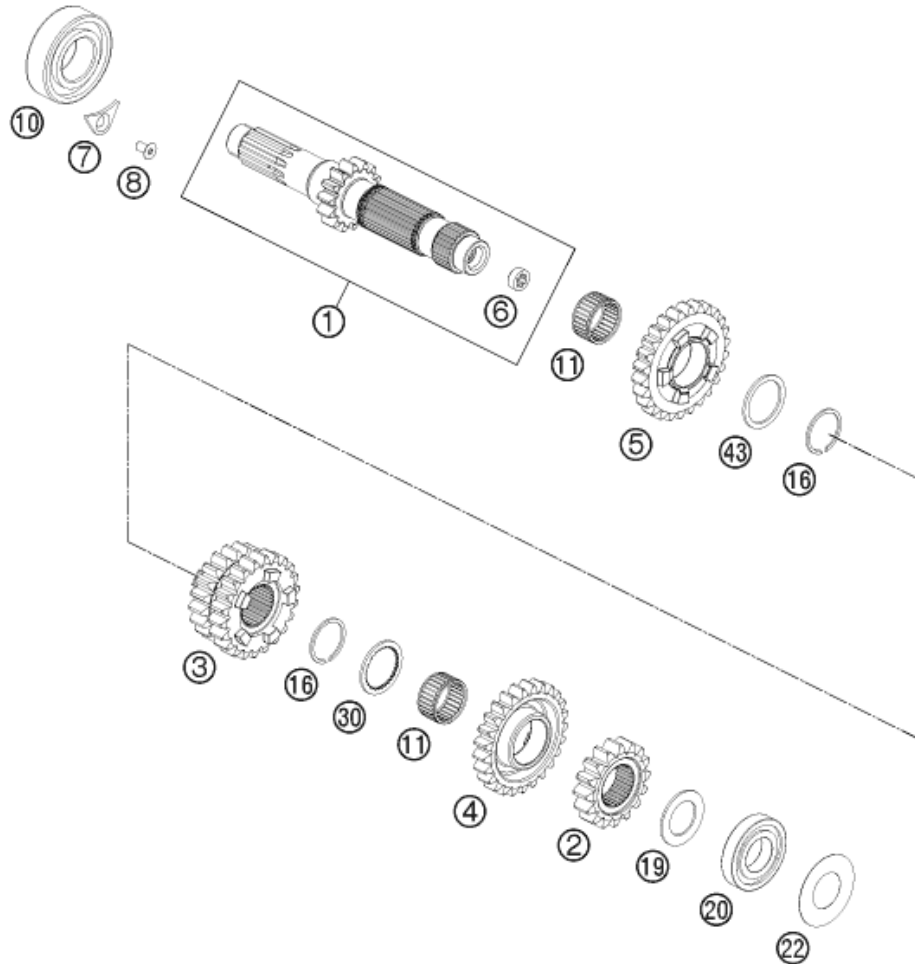
127753210

| POS | PARTNUMBER | PARTNAME | PIECE |
|-----|-------------|-----------------------------|-------|
| 98 | 54637098200 | AXIAL WASHER AS1226 12X26X1 | 1 |
| 99 | 0993012000 | CIRCLIP DIN7993-RW12 | 1 |

C148133211

* NEW PART

X ON DEMAND



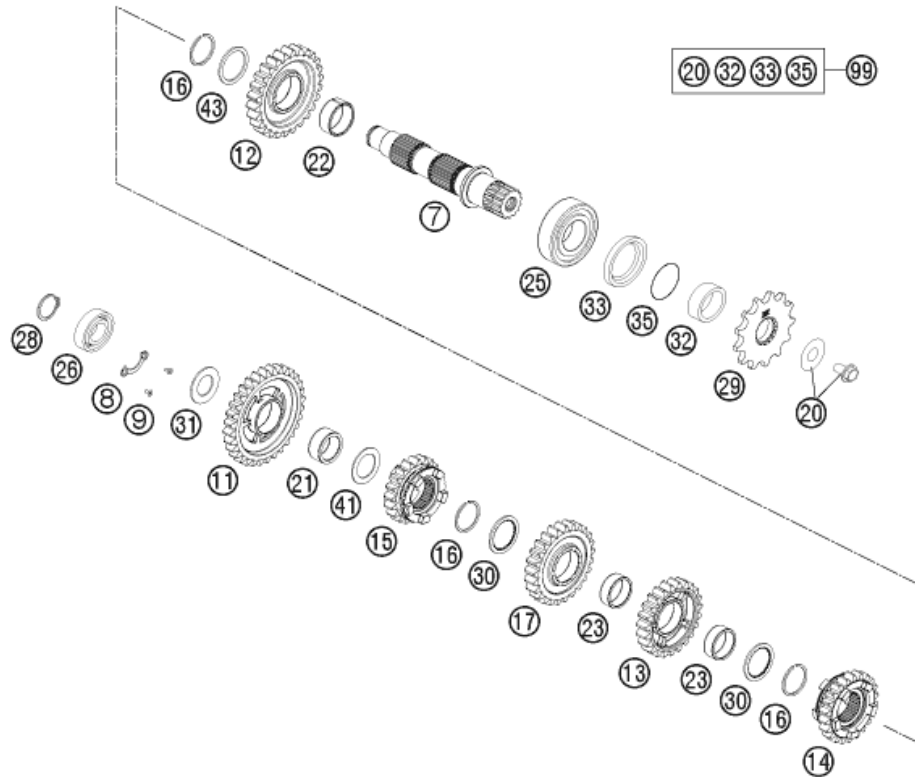
| POS | PARTNUMBER | PARTNAME | PIECE |
|-----|-------------|--------------------------------|-------|
| 1 | 77233101000 | MAIN SHAFT CPL. 14 T. | 1 |
| 2 | 54833202000 | SOLID GEAR | 1 |
| 3 | 54833203000 | SLIDING GEAR 3./4.GANG,Z=20/22 | 1 |
| 4 | 54833205000 | IDLER GEAR 5.G, Z =25 | 1 |
| 5 | 54833206000 | IDLER GEAR 6. G, Z=26 | 1 |
| 6 | 78033001110 | BUSHING | 1 |
| 7 | 75030085000 | RETAINING PLATE F. CS BEARING | 1 |
| 8 | 0019050106S | INT. TORX FLAT HEAD M5X10 10.9 | 1 |
| 10 | 0625062054 | BALL BEARING 6205 C3 NTN | 1 |
| 11 | 0405222613 | NEEDLE BEAR. K 22X26X13 TN | 2 |
| 16 | 0417024000 | CIRCLIP WS24 | 2 |
| 19 | 77233015000 | DISK 20,2X32X1,3 | 1 |
| 20 | 0625160040 | GROOVED BALL BEAR. TM 16004 C3 | 1 |
| 22 | 77233088000 | SPACER SHIM 21X42X0.2 | 1 |
| 30 | 54833043000 | STOP DISC 25X0,8X30X30X7H | 1 |
| 43 | 54833044000 | STOP DISC 25X31X1,5 | 1 |

127753330

C127753330

* NEW PART

X ON DEMAND



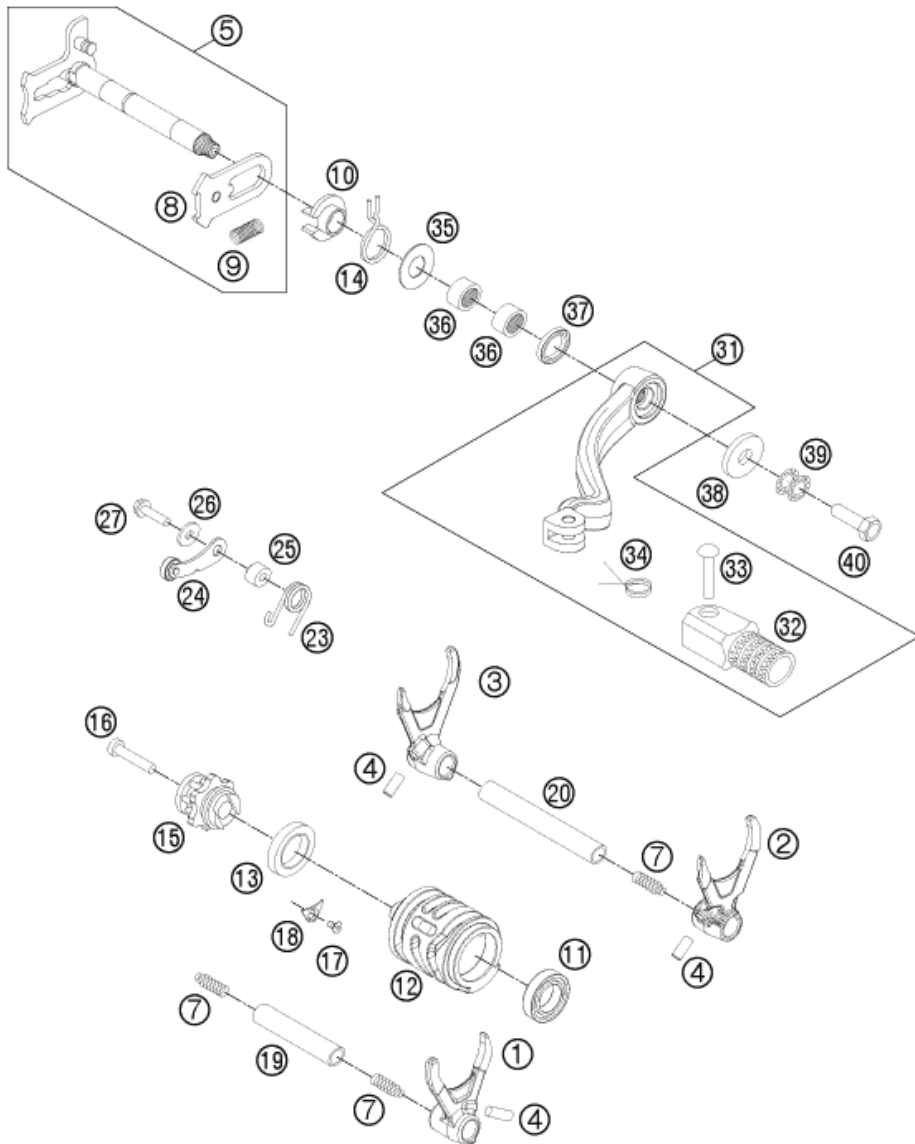
| POS | PARTNUMBER | PARTNAME | PIECE |
|-----|-------------|--------------------------------|-------|
| 7 | 77233110000 | COUNTERSHAFT | 1 |
| 8 | 78033132000 | TAB WASHER BEARING COUNT.SHAFT | 1 |
| 9 | 0019050106 | %INT TORX FLAT HEAD M5X10 10.9 | 2 |
| 11 | 54833211000 | IDLER GEAR 1. G, Z=32 | 1 |
| 12 | 54833212000 | IDLER GEAR 2. G., Z=26 | 1 |
| 13 | 54833214000 | IDLER GEAR 4.G., Z=23 | 1 |
| 14 | 54833215000 | SLIDING GEAR 5.G., Z=22 | 1 |
| 15 | 54833216000 | SLIDING GEAR 6.G., Z=20 | 1 |
| 16 | 0417024000 | CIRCLIP WS24 | 3 |
| 17 | 54833213000 | IDLER GEAR 3.G., Z= 25 | 1 |
| 20 | 59033034044 | SCREW 10.9+SPRING WASHER | 1 |
| 21 | 0405202612 | NEEDLE BEARING K 20X26X12 | 1 |
| 22 | 0405242812 | NEEDLE BEAR. K24X28X11,9 DIV. | 1 |
| 23 | 0405222611 | NEEDLE BEAR.K 22X26X10 DIVIDED | 1 |
| 25 | 49030023000 | CYL.ROLL BEARING NJ205 | 1 |
| 26 | 0625062035 | BALL BEARING 6203 JR2 C3 | 1 |
| 28 | 0471170015 | CIRCLIP DIN 0471-17X1, 5 | 1 |
| 29 | 50033029013 | FRONT SPROCKET 13-T | 1 |
| 29 | 50033029014 | FRONT SPROCKET 14-T | x |
| 30 | 54833043000 | STOP DISC 25X0,8X30X30X7H | 2 |
| 31 | 77233020000 | STOP DISK 17,2X30X1,3 | 1 |
| 32 | 54633014100 | SPACER BUSHING 12MM | 1 |
| 33 | 0760324571 | SHAFT SEAL RING 32X45X7 BSLNBR | 1 |
| 35 | 0770020220 | O-RING 25,12X1,78 NBR70 | 1 |
| 41 | 54833080000 | STOP DISC 20,2X30X1 | 1 |
| 43 | 54833044000 | STOP DISC 25X31X1,5 | 1 |
| 99 | 00050000941 | COUNTER SHAFT REP.KIT 4 STROKE | x |

127753360

C137753360

* NEW PART

X ON DEMAND



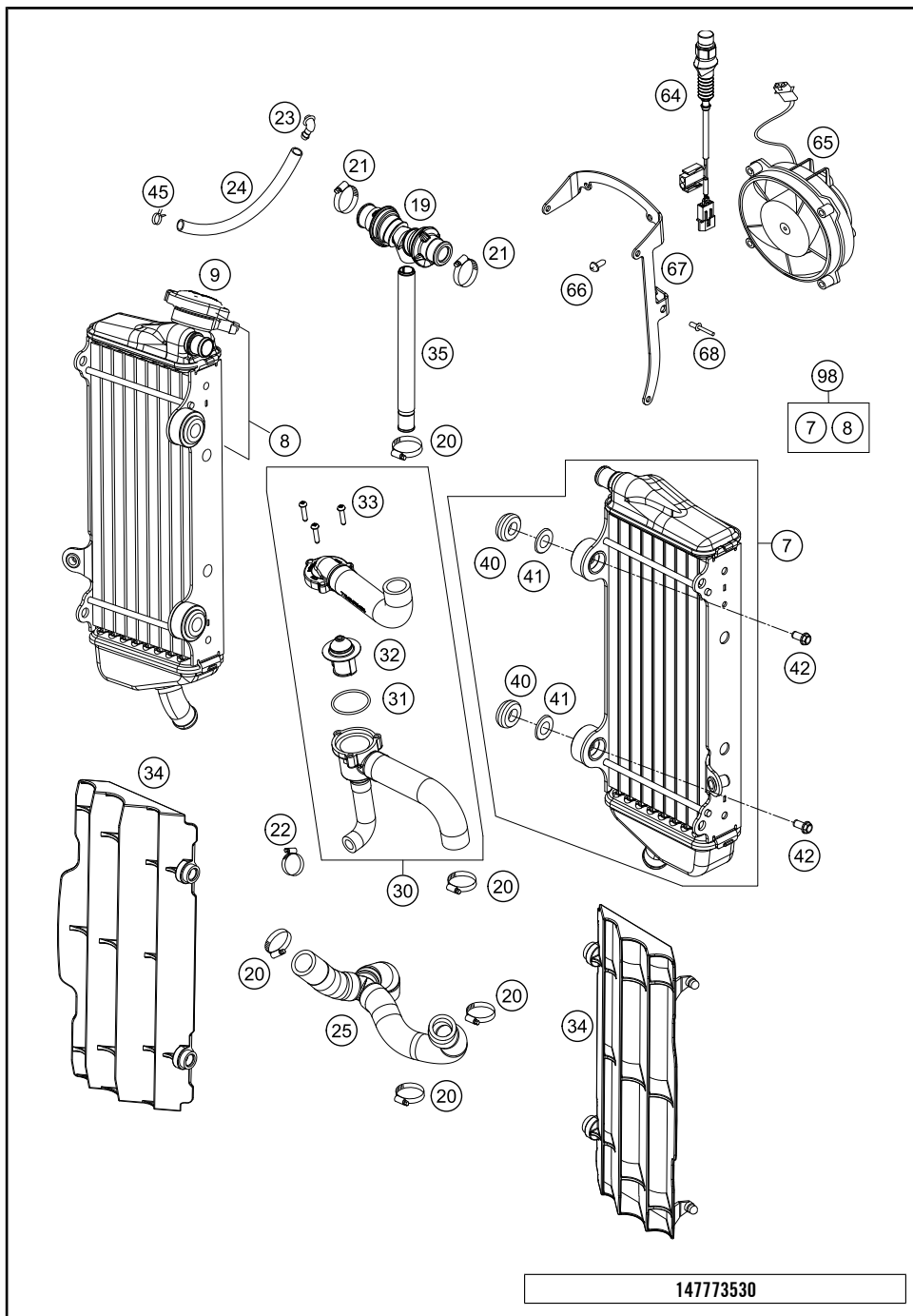
| POS | PARTNUMBER | PARTNAME | PIECE |
|-----|-------------|--------------------------------|-------|
| 1 | 54834201000 | SHIFT FORK 5./6.G. | 1 |
| 2 | 54834202000 | SHIFT FORK 2./4.G. | 1 |
| 3 | 54834203000 | SHIFT FORK 1./3. G. | 1 |
| 4 | 0402061480 | NEEDLE ROLLER DIN5402 6X14,8 | 3 |
| 5 | 54834005144 | SHIFT SHAFT CPL. | 1 |
| 7 | 58038023200 | PRESSURE SPRING 0,9MM | 3 |
| 8 | 54634008044 | SLIDING PLATE CPL. | 1 |
| 9 | 56534013100 | TENSIONING SPRING 0,8MM | 1 |
| 10 | 54634020000 | SPRING GUIDE | 1 |
| 11 | 0625069034 | BALL BEARING 6903 C4 | 1 |
| 12 | 54834212000 | SHIFTING DRUM | 1 |
| 13 | 0625618050 | BALL BEARING 61805 C3 | 1 |
| 14 | 54834014000 | RETURN SPRING 03 | 1 |
| 15 | 77234015000 | SHIFT LOCATING DRUM CPL. | 1 |
| 16 | 0912060353 | AH SCREW DIN0912-M 6X35 | 1 |
| 17 | 0019050106S | INT. TORX FLAT HEAD M5X10 10.9 | 1 |
| 18 | 75030085000 | RETAINING PLATE F. CS BEARING | 1 |
| 19 | 54834019000 | SHIFT. RAIL MAIN SHAFT 250/300 | 1 |
| 20 | 54834020000 | SHIFT. RAIL C. SHAFT 250/300 | 1 |
| 23 | 60034023000 | ARRESTING LEVER SPRING 03 | 1 |
| 24 | 50334024144 | LOCATING LEVER CPL. 08 | 1 |
| 25 | 54634052300 | SLEEVE FOR LOCKING LEVER | 1 |
| 26 | 0021050003 | WASHER DIN9021-A 5,3 | 1 |
| 27 | 0025050206 | HH COLLAR SCREW M5X20 TX30 | 1 |
| 31 | 59034031000 | SHIFT LEVER CPL.RACING 2000 | 1 |
| 32 | 54634131000 | STEP PLATE FOR SHIFT LEVER 250 | 1 |
| 33 | 54634031050 | BOLT 6X25 FOR SHIFT LEVER | 1 |
| 34 | 54634032100 | SHIFTING LEVER SPRING 250 | 1 |
| 35 | 54634050000 | STOP DISK 14X30X1 | 1 |
| 36 | 54632095000 | NEEDLE BEAR.HK 1412 14X20X12 | 2 |
| 37 | 0760142460 | SHAFT SEAL RING 14X24X6 B | 1 |
| 38 | 50232050001 | STEEL WASHER 6,4X17X3 | 1 |
| 39 | 50233041000 | PAIR OF WASHERS M 6 NORDLOCK | 1 |
| 40 | 59009062016 | SPECIAL SCREW M6X16 WS=8 10.9 | 1 |

127753410

C148133412

* NEW PART

X ON DEMAND

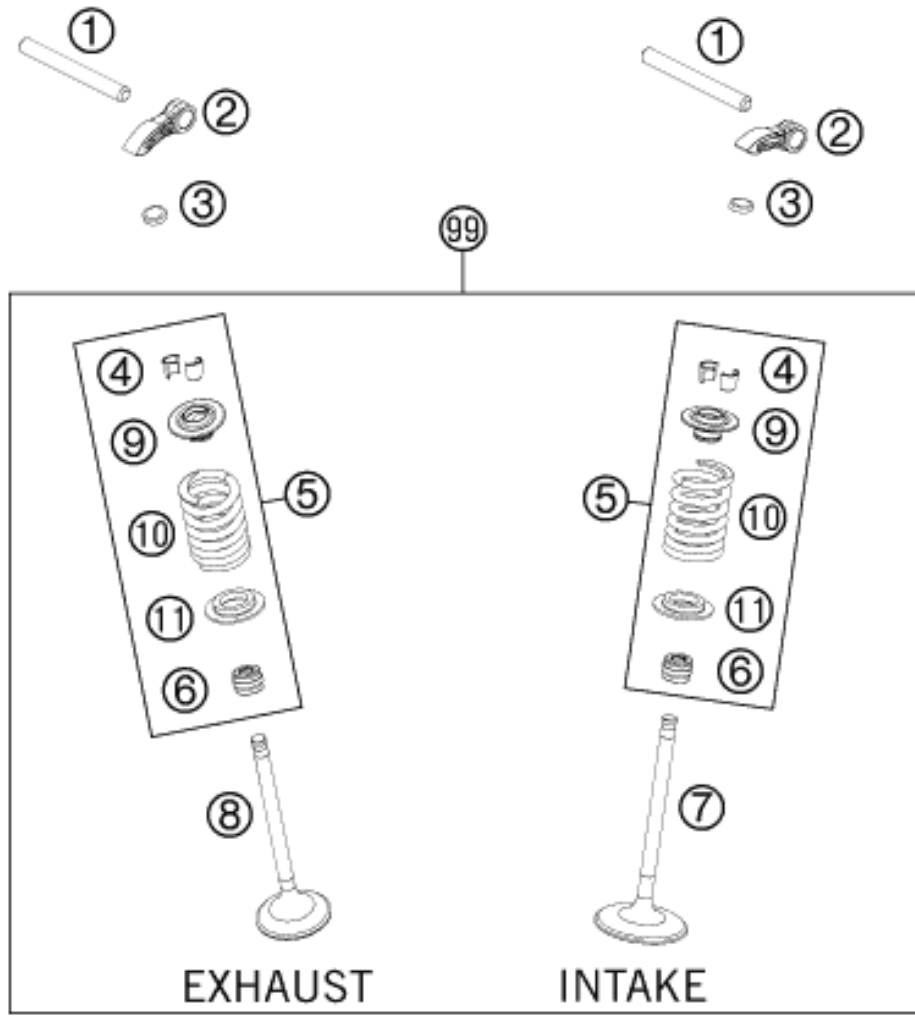


| POS | PARTNUMBER | PARTNAME | PIECE |
|-----|---------------|-------------------------------|-------|
| 7 | 77035007300 | RADIATOR L/S "55623U" 12 | 1 |
| 8 | 78035008100 | RADIATOR R/S "55556U" 12 | 1 |
| 9 | 77335016000 | RADIATOR CAP SMALL 1,8 BAR | 1 |
| 19 | 77235071044 | Y-CONNECTOR CPL. | 1 |
| 20 | 10001020000 | HOSE CLAMP GEMI 18-29 | 5 |
| 21 | 42013037400 | HOSE CLAMP NORMA 12/24 | 2 |
| 22 | 58335099000 | HOSE CLAMP GEMI 10-16 | 1 |
| 23 | 50303089000 | ANGLE PIECE '97 | 1 |
| 24 | 50335030001 | PVC-HOSE 6X9 | x |
| 25 | 77235025033 | RADIATOR HOSE CPL.+Y-CONNECT. | 1 |
| 30 | 77735126033 | RADIATOR HOSE CPL. W. THERM. | 1 |
| 31 | 0770320020 | O-RING 32,00X2,00 | 1 |
| 32 | 59435117000 | THERMOSTAT 70°C | 1 |
| 33 | 0016040183 | SCREW FOR PLASTIC D=4X18 | 3 |
| 34 | 7733503400030 | RADIATOR PROTECTION BLACK 07 | x |
| 35 | 77235073000 | HOSE CONNECTOR L=172,5 | 1 |
| 40 | 41001052000 | RUBBER SLEEVE D=12MM | 4 |
| 41 | 77335001000 | WASHER FOR RADIATOR 08 | 4 |
| 42 | 0023060123 | COLLAR SCREW M6X12 TX | 4 |
| 45 | 59007017000 | CLAMP YDNAC 10096F (9,6MM) | 1 |
| 64 | 77735045000 | THERMO SWITCH 95°C M14X1,5 | 1 |
| 65 | 58435041000 | FAN CPL. 12V LC4 2000 | 1 |
| 66 | 0081050181 | SCREW FOR PLASTIC K50X18 T20 | 3 |
| 67 | 81235943000 | FAN SUPPORT | 1 |
| 68 | 0011400800 | RIVET 4,0X 8 ALU | 3 |
| 98* | 00050000131 | RADIATOR KIT 08-14 | 1 |

147773530

C14773533

* NEW PART X ON DEMAND



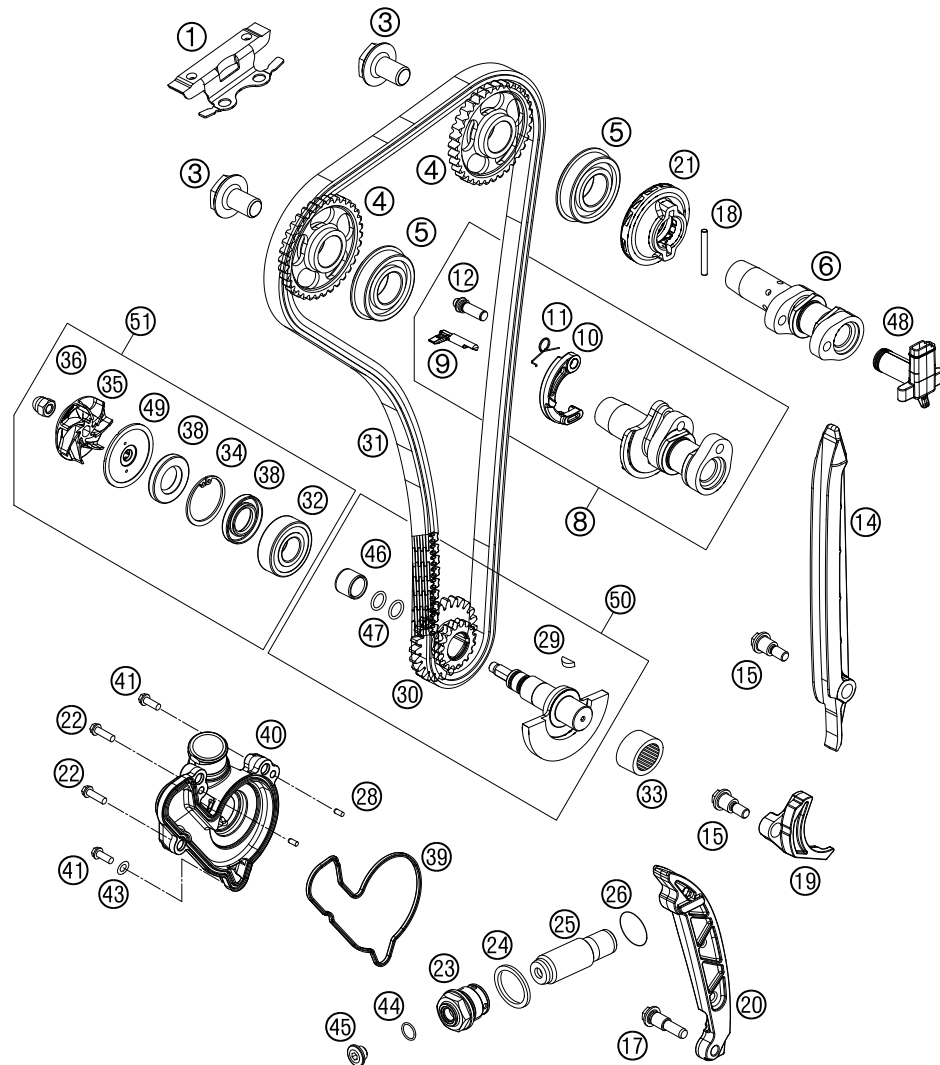
| POS | PARTNUMBER | PARTNAME | PIECE |
|-----|-------------|---------------------------|-------|
| 1 | 77236056000 | VALVE LEVER SHAFT | 2 |
| 2 | 77236060000 | VALVE LEVER | 4 |
| 3 | 77036035172 | SHIM D=8,9/1,72 | X |
| 3 | 77036035176 | SHIM D=8,9/1,76 | X |
| 3 | 77036035180 | SHIM D=8,9/1,80 | X |
| 3 | 77036035184 | SHIM D=8,9/1,84 | X |
| 3 | 77036035188 | SHIM D=8,9/1,88 | X |
| 3 | 77036035192 | SHIM D=8,9/1,92 | X |
| 3 | 77036035196 | SHIM D=8,9/1,96 | X |
| 3 | 77036035200 | SHIM D=8,9/2,00 | X |
| 3 | 77036035204 | SHIM D=8,9/2,04 | X |
| 3 | 77036035208 | SHIM D=8,9/2,08 | X |
| 3 | 77036035212 | SHIM D=8,9/2,12 | X |
| 3 | 77036035216 | SHIM D=8,9/2,16 | X |
| 3 | 77036035220 | SHIM D=8,9/2,20 | X |
| 3 | 77036035224 | SHIM D=8,9/2,24 | X |
| 3 | 77036035228 | SHIM D=8,9/2,28 | X |
| 3 | 77036035232 | SHIM D=8,9/2,32 | X |
| 3 | 77036035236 | SHIM D=8,9/2,36 | X |
| 3 | 77036035240 | SHIM D=8,9/2,40 | X |
| 3 | 77036035244 | SHIM D=8,9/2,44 | X |
| 3 | 77036035248 | SHIM D=8,9/2,48 | X |
| 3 | 77036035252 | SHIM D=8,9/2,52 | X |
| 3 | 77036035256 | SHIM D=8,9/2,56 | X |
| 3 | 77036035260 | SHIM D=8,9/2,60 | X |
| 4 | 77236033000 | VALVE COLLET | 8 |
| 5 | 77536028044 | VALVE SPRING KIT | 4 |
| 6 | 77236027000 | VALVE-STEM SEALING | 4 |
| 7 | 77236030200 | INTAKE VALVE | 2 |
| 8 | 77236031100 | EXHAUST VALVE | 2 |
| 9 | 77536032100 | VALVE-SPRING RETAINER | 4 |
| 10 | 77036028300 | VALVE SPRING INSIDE | 4 |
| 11 | 77536036100 | VALVE SPRING HOLDER | 4 |
| 99 | 77536030010 | VALVE KIT 350 EXC-F 12-13 | 1 |

117723610

C148133610

* NEW PART

X ON DEMAND



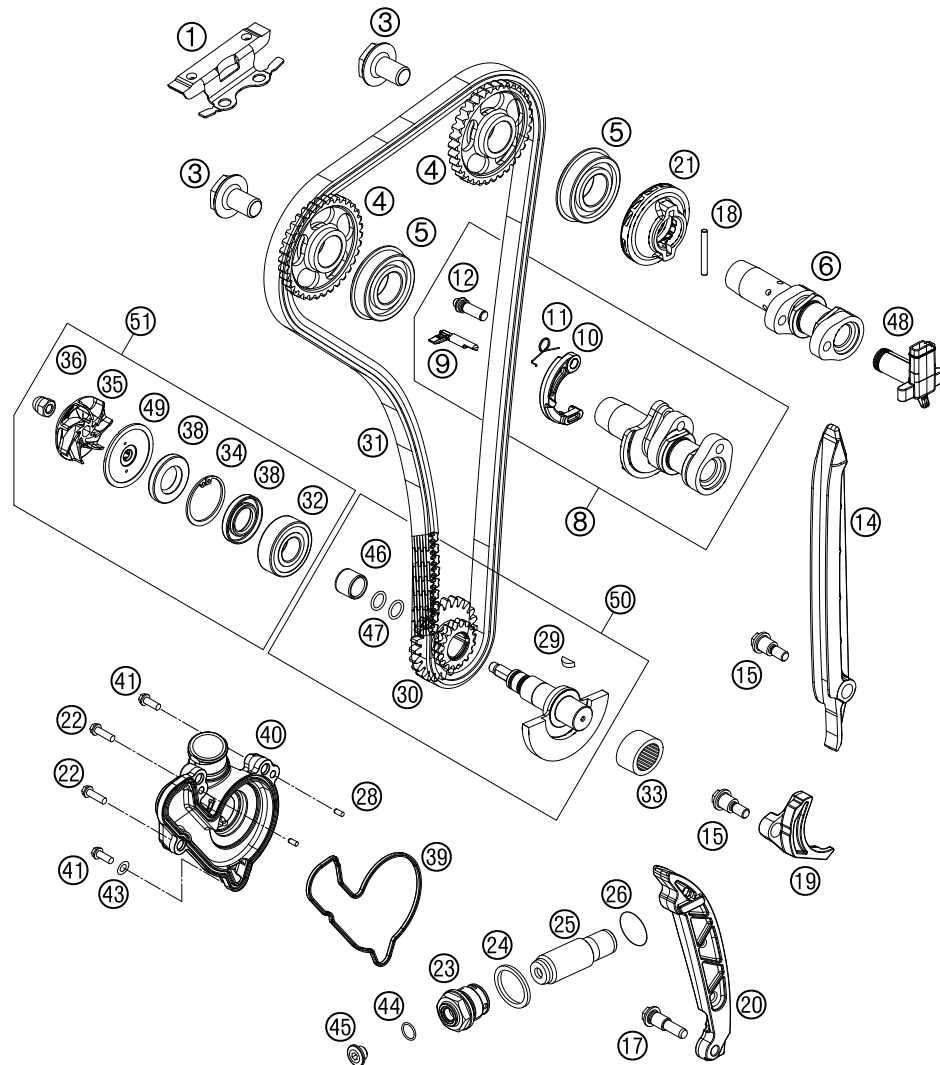
147753620

| POS | PARTNUMBER | PARTNAME | PIECE |
|-----|-------------|--------------------------------|-------|
| 1 | 77236004000 | TIMING CHAIN GUIDE TOP | 1 |
| 3 | 77036012100 | CAMSHAFT GEAR SCREW 08 | 2 |
| 4 | 77236011000 | CAMSHAFT GEAR | 2 |
| 5 | 0625060043 | BALL BEARING 6004 NR C3 '05 | 2 |
| 6 | 77536009000 | CAMSHAFT INTAKE | 1 |
| 8 | 72036010044 | CAMSHAFT EXH. WITH DEKO CPL. | 1 |
| 9 | 77236015000 | AUTO DECOMPRESSION | 1 |
| 10 | 77036016100 | AUTO DECO WEIGHT | 1 |
| 11 | 77236017000 | SPRING FOR AUTO DECOMPR. | 1 |
| 12 | 77236019000 | BUSHING SCREW AUTODEC. | 1 |
| 14 | 77236001000 | TIMING CHAIN GUIDE | 1 |
| 15 | 77236001160 | BUSHING SCREW M6 | 2 |
| 17 | 77236002160 | BUSHING SCREW M8 | 1 |
| 18 | 0402035298 | NEEDLE ROLLER NRB 3.5X29.8-G2 | 1 |
| 19 | 77236005000 | SECURING PROTECTION | 1 |
| 20 | 77236002000 | TENSIONING RAIL | 1 |
| 21 | 77236082000 | VENTILATION GEAR CPL. | 1 |
| 22 | 0025060406 | HH COLLAR SCREW M6X40 TX30 | 2 |
| 23 | 77336008000 | HOLDING BOLT M24X1,5 | 1 |
| 24 | 0603242920 | CU SEAL-RING DIN7603 A24X29X2 | 1 |
| 25 | 77036003000 | CHAIN ADJUSTER HYD. 05 | 1 |
| 26 | 0770180020 | O-RING 18,00X2,00 NBR 70 | 1 |
| 28 | 0402040980 | NEEDLE ROL.DIN5402 NRB 4X9,8 | 2 |
| 29 | 0888030037 | WOODRUFF KEY DIN6888-3X3,7 | 1 |
| 30 | 77236076000 | TIMING VALVE TWIN WHEEL | 1 |
| 31 | 77236013000 | TIMING CHAIN | 1 |
| 32 | 0625062022 | BALL BEARING 6202 C0 2 | 1 |
| 33 | 77230058000 | NEEDLE BEARING NK16/16 | 1 |
| 34 | 0472300120 | CIRCLIP 30X1,2 | 1 |
| 35 | 81235055020 | WATER PUMP ROTOR | 1 |
| 36 | 61230045000 | CAP NUT M6 STAINLESS STEEL | 1 |
| 38 | 07601530451 | SHAFT SEAL RING 15X30X4.5 BAUD | 2 |
| 39 | 77735053000 | WATER PUMP COVER GASKET | 1 |
| 40 | 77735052000 | WATERPUMP COVER | 1 |
| 41 | 0025060256 | HH COLLAR SCREW M6X25 TX30 | 2 |
| 43 | 0603061001 | CU-SEAL RING DIN7603-6X10X1 | 1 |
| 44 | 0770010010 | O-RING 10,00X1,00 NBR 70 SH | 1 |
| 45 | 77236080000 | SCREW PLUG | 1 |

C148133620

* NEW PART

X ON DEMAND



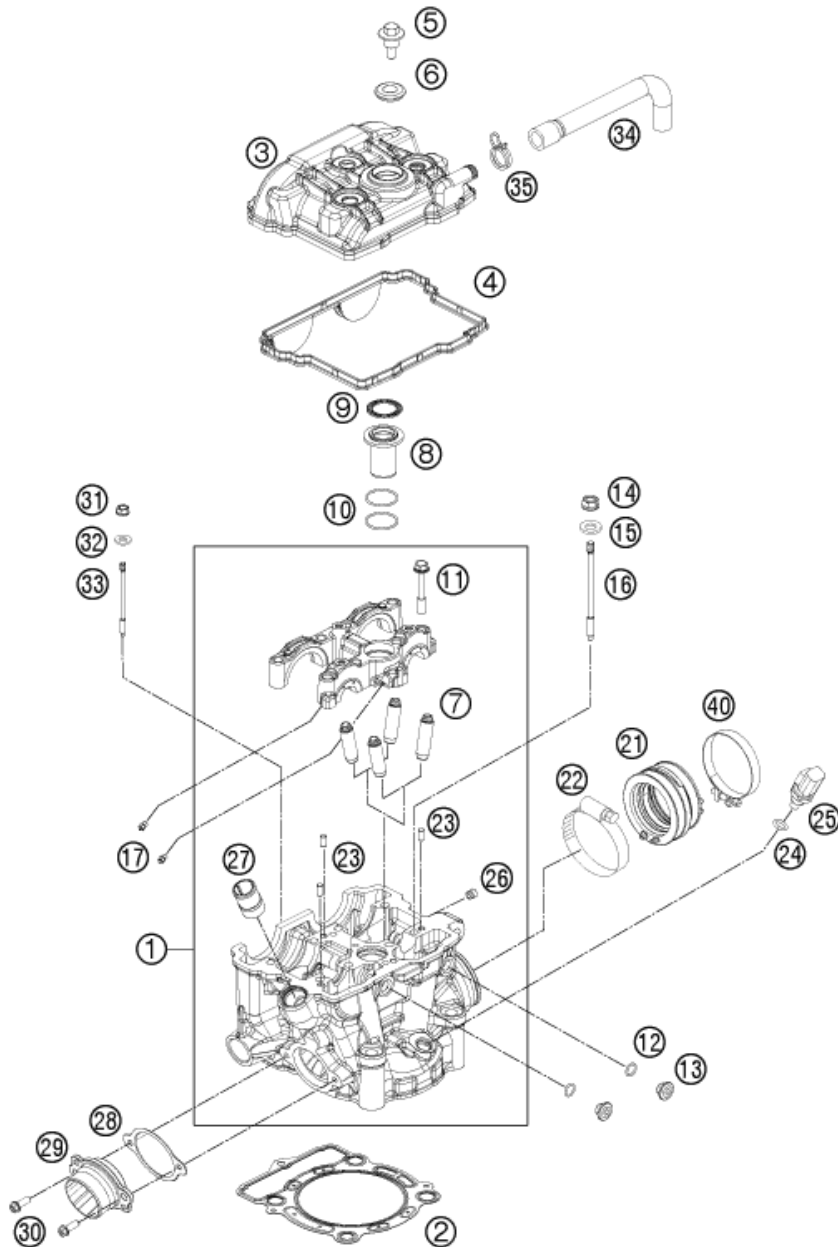
| POS | PARTNUMBER | PARTNAME | PIECE |
|-----|-------------|--------------------------------|-------|
| 46 | 77236072020 | WEAR BUSHING WAPU | 1 |
| 47 | 07700900151 | O-RING 9x1,5 V80 SH | 2 |
| 48 | 77236081000 | ANGLE PIECE F. BREATHER SYSTEM | 1 |
| 49 | 81235055110 | DISC WATER PUMP | 1 |
| 50 | 77536072033 | BALANCER SHAFT CPL. | x |
| 51 | 77235055010 | WATER PUMP REP. KIT 11-14 | x |

147753620

C148133620

* NEW PART

X ON DEMAND



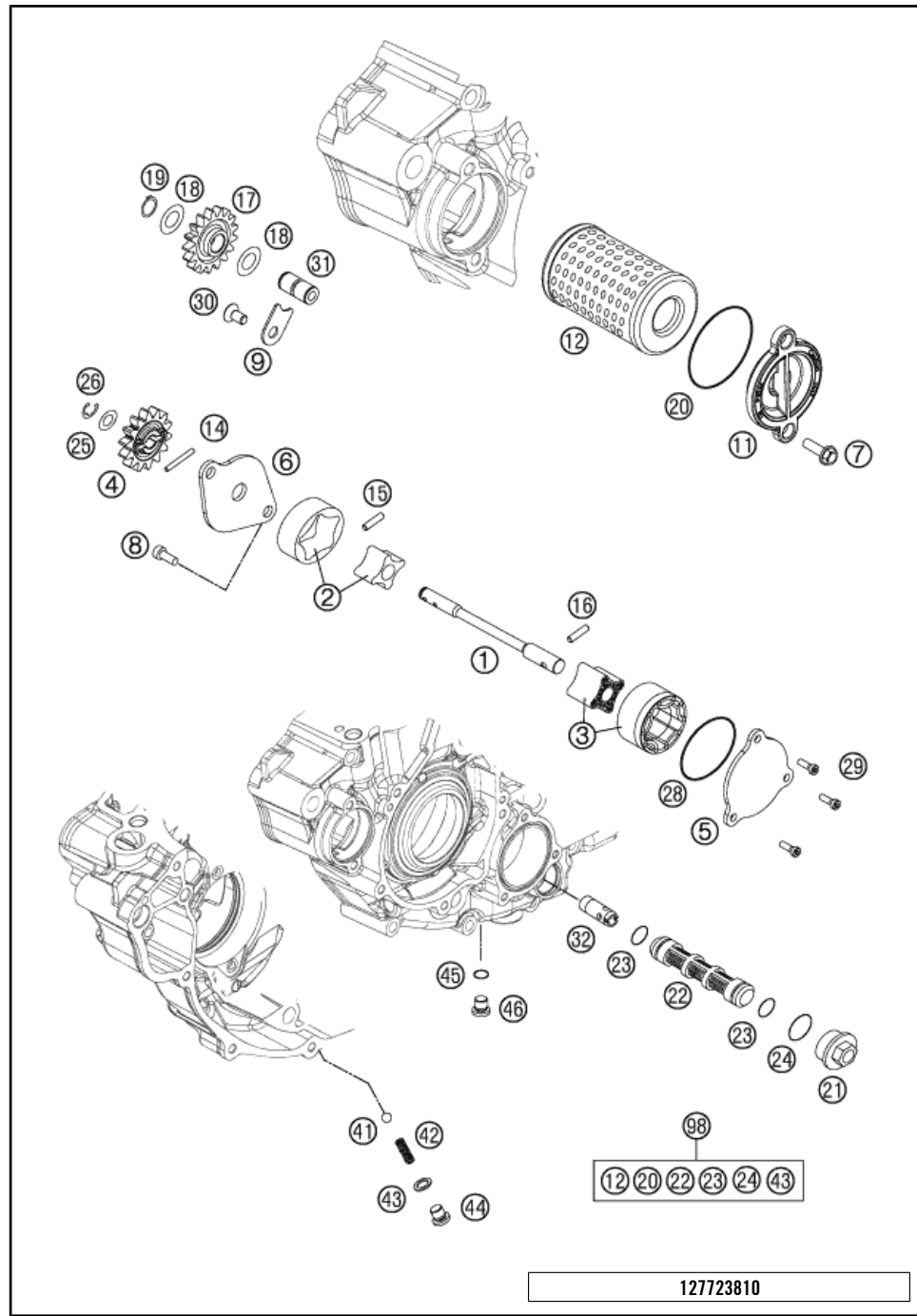
| POS | PARTNUMBER | PARTNAME | PIECE |
|-----|---------------|-------------------------------|-------|
| 1 | 77236020044 | CYLINDER HEAD CPL. | 1 |
| 2 | 77230036000 | CYLINDER HEAD GASKET | 1 |
| 3 | 77236052000DA | VALVE COVER | 1 |
| 4 | 77236053000 | VALVE COVER GASKET | 1 |
| 5 | 77336054150 | VALVE COVER SCREW | 3 |
| 6 | 77036054050 | RUBBER GASKET FOR SCREW 05 | 3 |
| 7 | 77236025001 | VALVE GUIDE INTAKT | 4 |
| 8 | 77236075000 | INSERT SPARK-PLUG SHAFT | 1 |
| 9 | 77336053050 | GASKET SPARK-PLUG SHAFT | 1 |
| 10 | 0770260015 | O-RING 1,5x26 | 2 |
| 11 | 77330067142 | HH COLLAR SCREW M7X1X42 | 8 |
| 12 | 07700900151 | O-RING 9x1,5 V80 SH | 2 |
| 13 | 77236080000 | SCREW PLUG | 2 |
| 14 | 77336088210 | COLLAR NUT M10X1,25 SW13 | 4 |
| 15 | 77336089010 | WASHER 19X10,5X2,5 | 4 |
| 16 | 77230044000 | STUD SCREW M10X1,25 | 4 |
| 17 | 60030063050 | OIL JET 50 05 | 4 |
| 21 | 77236044000 | CONNECTION RUBBER EFI | 1 |
| 22 | 61036047000 | HOSE CLAMP GEMI 63MM 05 | 1 |
| 23 | 0402050980 | NEEDLE ROLLER DIN5402 5X9,8 | 3 |
| 24 | 0770100020 | O-RING 10,00X2,00 SILCONE | 1 |
| 25 | 60011252000 | TEMPERAT.-SENSOR WATER LC8 02 | 1 |
| 26 | 59030296000 | SCREW PLUG | 1 |
| 27 | 58030010200 | SCREW IN NOZZLE M20X1,5 | 1 |
| 28 | 77236041000 | GASKET EXHAUST FLANGE | 1 |
| 29 | 77236139000 | ENGINEFLANGE | 1 |
| 30 | 0025060166 | HH COLLAR SCREW M6X16 TX30 | 2 |
| 31 | 77336088106 | COLLAR NUT M6X1 SW8 | 1 |
| 32 | 0125060003 | WASHER DIN0125-A 6,4 | 1 |
| 33 | 77330043000 | STUD SCREW M6 | 1 |
| 34 | 77538087000 | ENGINE BREATHER TUBE | 1 |
| 35 | 58431082100 | YDNAC-CLAMP 10173 (16MM) '98 | 1 |
| 40 | 77236048000 | HOSE CLAMP GEMI 58MM | 1 |

127753630

C148133633

* NEW PART

X ON DEMAND

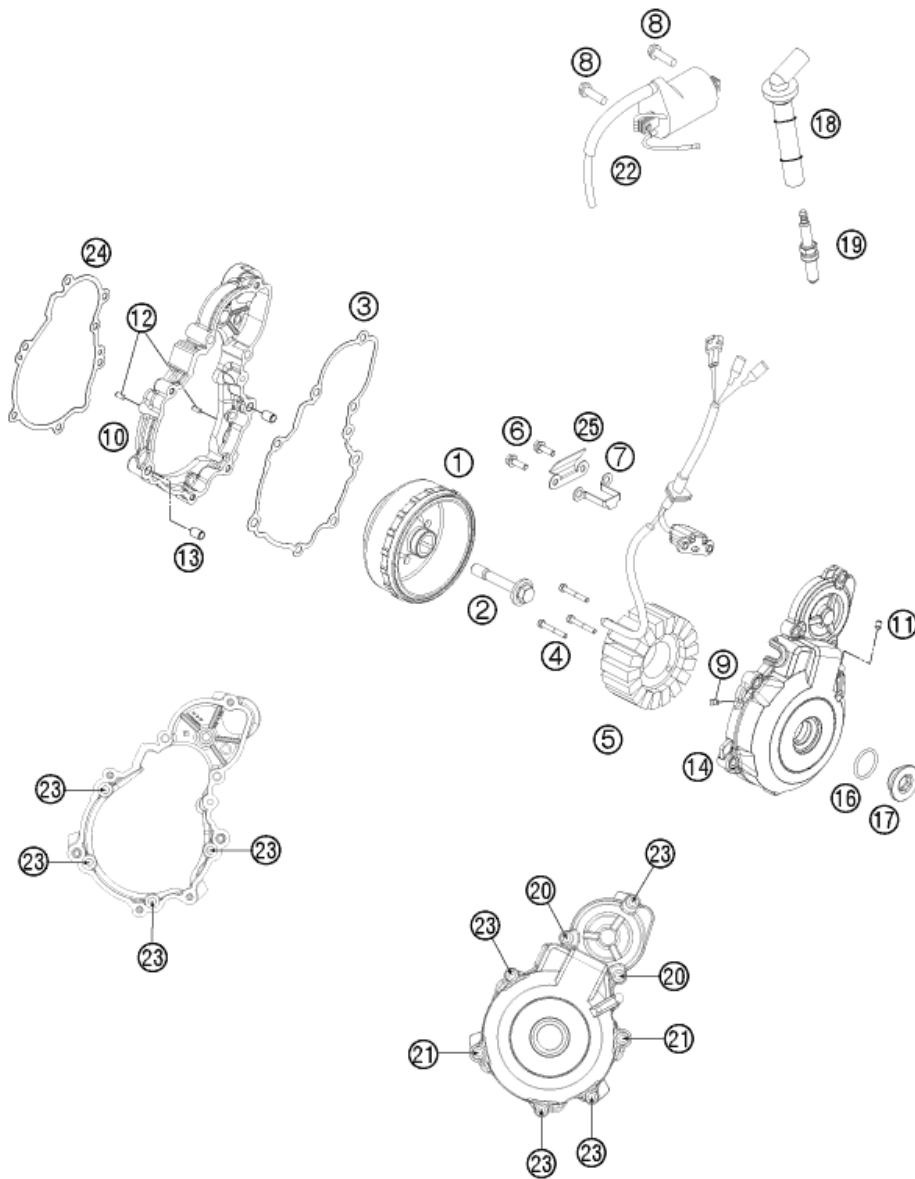


| POS | PARTNUMBER | PARTNAME | PIECE |
|-----|-------------|--------------------------------|-------|
| 1 | 77238102000 | OIL PUMP SHAFT | 1 |
| 2 | 59038011112 | OILPUMP ROTOR-SET 12MM CPL. | 1 |
| 3 | 61238111000 | ROTOR-SET CPL. 22MM | 1 |
| 4 | 77038001100 | OIL PUMP GEAR 14T 08 | 1 |
| 5 | 78038004000 | OIL PUMP COVER SUCTION PUMP | 1 |
| 6 | 77238003100 | OIL PUMP COVER R/S | 1 |
| 7 | 0025060166 | HH COLLAR SCREW M6X16 TX30 | 2 |
| 8 | 0984050123S | CYLIND. SCR. DIN6912 M5X12 8.8 | 2 |
| 9 | 77238061050 | AXIAL-CIRCLIP | 1 |
| 11 | 77338041200 | OIL FILTER COVER 08 | 1 |
| 12 | 77338005100 | OIL FILTER | 1 |
| 14 | 0402251980 | NEEDLEROL.DIN5402 NRA 2,5X19,8 | 1 |
| 15 | 0402251180 | NEEDLE ROLLER DIN5402 2,5X11,8 | 1 |
| 16 | 0402041580 | NEEDLE ROLLER NRB 4X15,8 G2 | 1 |
| 17 | 77038006100 | OILPUMP IDLER GEAR 08 | 1 |
| 18 | 0988121805 | SHIM WASHER DIN0988-12X18X0,50 | 2 |
| 19 | 0471120010 | CIRCLIP DIN0471-12X1 | 1 |
| 20 | 07703305178 | O-RING 33,05X1,78 | 1 |
| 21 | 59038017000 | PLUG M20X1,5 WS=13 | 1 |
| 22 | 59038016100 | OIL SCREEN | 1 |
| 23 | 0770125015 | O-RING 12,5X1,5 NBR | 2 |
| 24 | 0770020170 | O-RING 17,17X1,78 GLO | 1 |
| 25 | 58038007755 | STOP DISK 8,1 X 15 X 0,5 | 1 |
| 26 | 0799060000 | TAB WASHER DIN6799-RS 6,0 | 1 |
| 28 | 0770440020 | O-RING 44,00X2,00 VITON | 1 |
| 29 | 0984050163S | CYL. SCREW DIN6912 M5X16 8.8 | 3 |
| 30 | 0018050103 | INT. TORX OVAL HEAD M 5X10 8.8 | 1 |
| 31 | 77038013100 | BUSHING PIN | 1 |
| 32 | 77038022000 | OIL INTAKEPIPE | 1 |
| 41 | 0401090003 | BALL DIN5401-9 | 1 |
| 42 | 58038023300 | PRESSURE SPRING L=25MM D=1MM | 1 |
| 43 | 58038022000 | CU-SEAL RING DIN7603-12X18X1,5 | 1 |
| 44 | 0908120153 | PLUG DIN0908-M12X1,5 | 1 |
| 45 | 0770110015 | O-RING 1,5X11 SILICON | 1 |
| 46 | 78036081000 | HOLDING BOLT M14X1,5 | 1 |
| 98 | 00050000083 | OILFILTER-GASKET SET 350 SX-F | x |

127723810

C148133810

* NEW PART X ON DEMAND



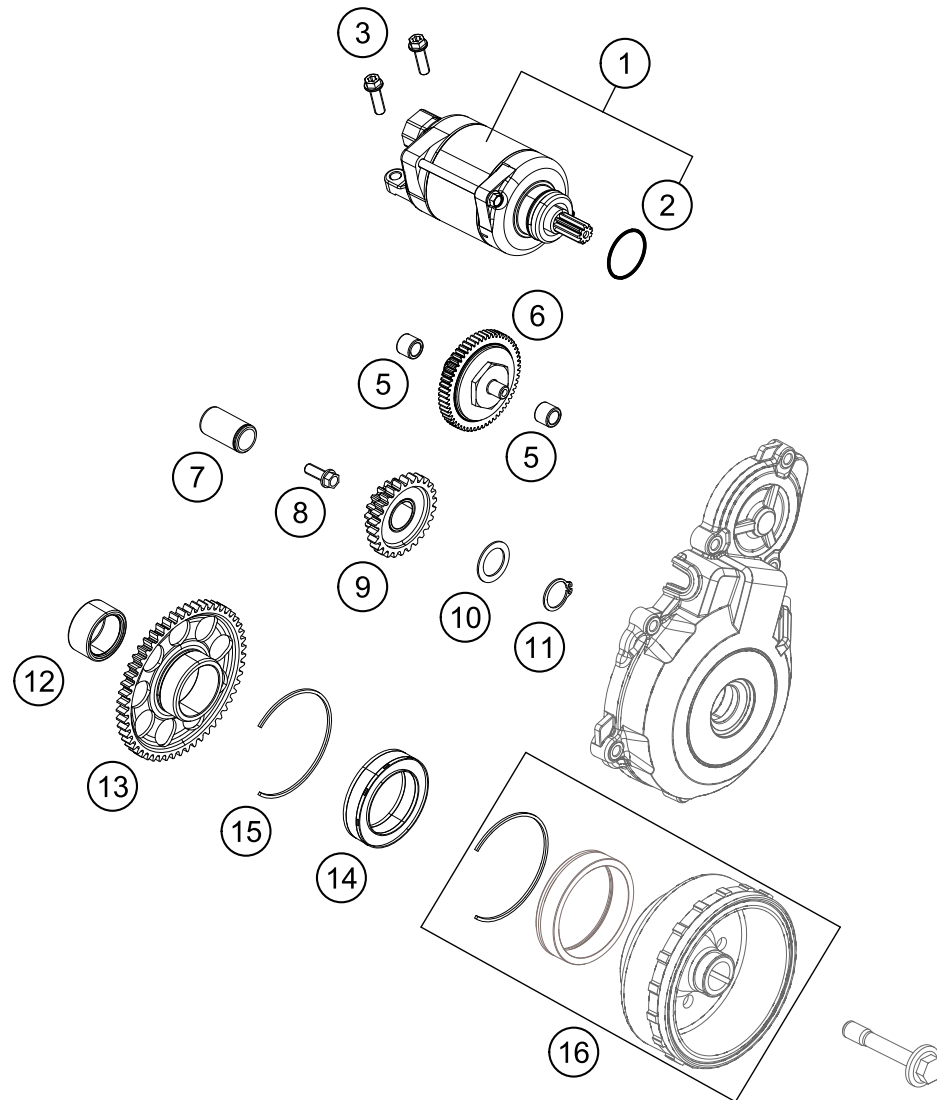
| POS | PARTNUMBER | PARTNAME | PIECE |
|-----|---------------|--------------------------------|-------|
| 1 | 77539005144 | ROTOR EFI CPL. | 1 |
| 2 | 77339010100 | FLYWHEEL SCREW | 1 |
| 3 | 77530042000 | IGNITION COVER GASKET | 1 |
| 4 | 0912050303 | AH SCREW DIN0912-M 5X30 | 3 |
| 5 | 77539004000 | STATOR | 1 |
| 6 | 0025050166 | HH COLLAR SCREW M5X16 TX30 | 2 |
| 7 | 77530002050 | CABLE TAB WASHER EXC | 1 |
| 8 | 0026060186 | COLLAR SCREW M6X18 ISA30 | 2 |
| 9 | 80030058060 | OIL JET "60" M4 | 1 |
| 10 | 77530002000KA | INNER IGNITION COVER | 1 |
| 11 | 0913050063 | THREAD PIN DIN 913 M5X6 | 1 |
| 12 | 0402040980 | NEEDLE ROL.DIN5402 NRB 4X9,8 | 2 |
| 13 | 59030023000 | DOWEL 6X8X11,5 | 2 |
| 14 | 77530012000KA | OUTER IGNITION COVER | 1 |
| 16 | 07700240251 | O-RING 24X2,5 VITON | 1 |
| 17 | 7723000206068 | IGNITION COVER PLUG M24X1,5 | 1 |
| 18 | 77239090000 | SPARK PLUG CONNECTOR | 1 |
| 19 | 77239093000 | PLUG NGK LMAR9AI - 8 | 1 |
| 20 | 0025060506 | HH COLLAR SCREW M6X50 TX30 | 2 |
| 21 | 0025060306 | HH COLLAR SCREW M6X30 TX30 | 2 |
| 22 | 58439006000 | IGNITIONCOIL IG3826 KOKUSAN'96 | 1 |
| 23 | 0025060256 | HH COLLAR SCREW M6X25 TX30 | 8 |
| 24 | 77530040000 | IGNITION COVER GASKET | 1 |
| 25 | 77530002060 | BRACKET | 1 |

127753910

C148133914

* NEW PART

X ON DEMAND



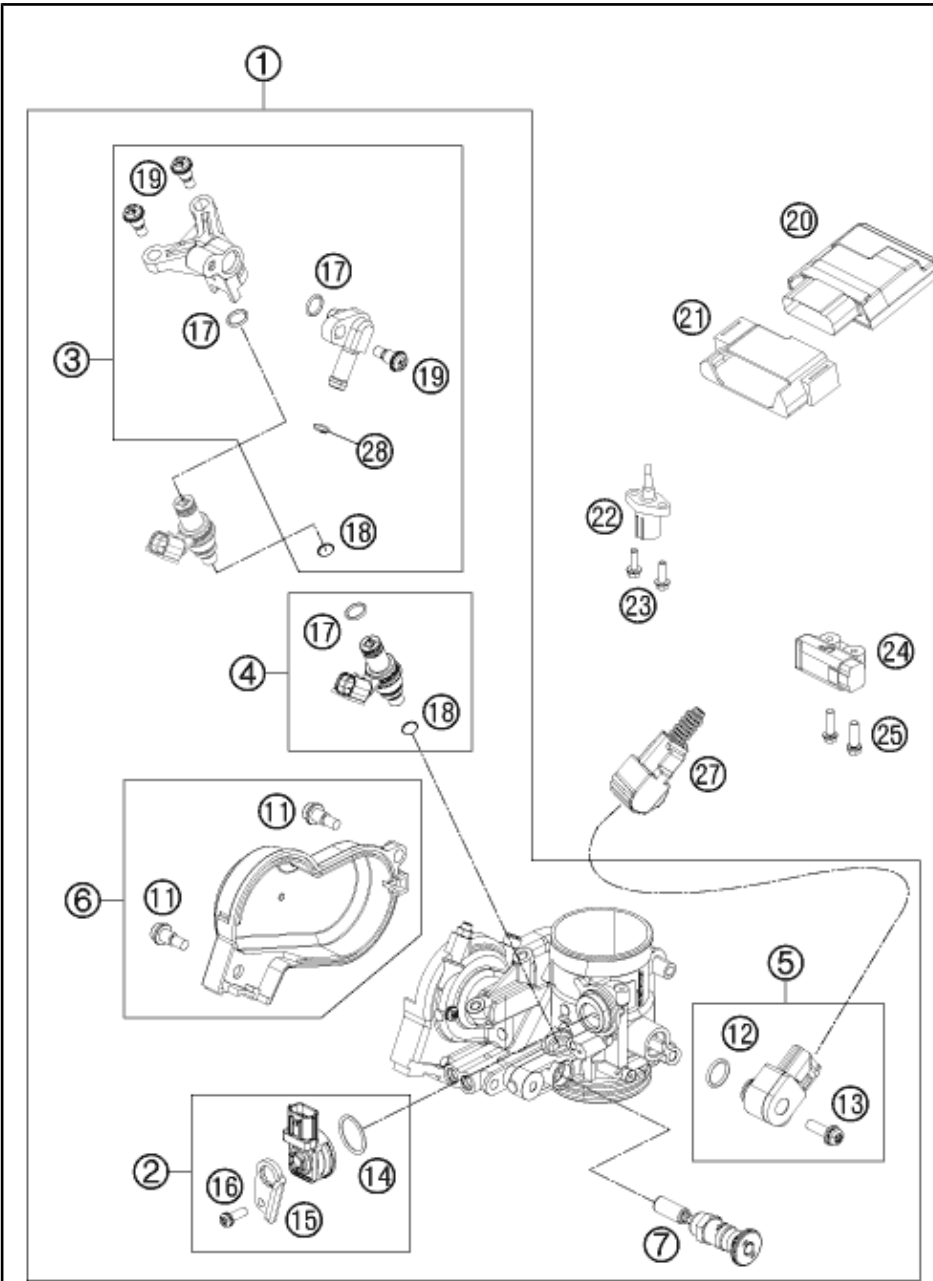
| POS | PARTNUMBER | PARTNAME | PIECE |
|-----|-------------|--------------------------------|-------|
| 1 | 77240001100 | E-STARTER ENGINE CPL. | 1 |
| 2 | 0770250030 | O-RING 25,00X3,00 NBR 70 | 1 |
| 3 | 0025060256 | HH COLLAR SCREW M6X25 TX30 | 2 |
| 5 | 0618081210 | NEEDLE BUSH HK 0810 DIN 618 | 2 |
| 6 | 77240116000 | TORQUE LIMITER | 1 |
| 7 | 59040028000 | BUSHING PIN | 1 |
| 8 | 0015060163 | HH COLLAR SCREW M 6X16 WS=8 | 1 |
| 9 | 77240122000 | STARTER INTERMEDIATE GEAR | 1 |
| 10 | 54633090000 | STOP DISK 17,2X25X1 | 1 |
| 11 | 0471170010 | CIRCLIP DIN0471-17X1 | 1 |
| 12 | 0618253216 | NEEDLE BUSH HK2516 25/32/16 02 | 1 |
| 13 | 77840120000 | FREEWHEELER GEAR | 1 |
| 14 | 80040026000 | FREE WHEEL 03 | 1 |
| 15 | 0472057150 | CIRCLIP DIN0472-57X1,50 | 1 |
| 16 | 77539005144 | ROTOR EFI CPL. | 1 |

147754010

C148134010

* NEW PART

X ON DEMAND



| POS | PARTNUMBER | PARTNAME | PIECE |
|-----|-------------|--------------------------------|-------|
| 1 | 77241001000 | THROTTLE BODY | 1 |
| 2 | 81241085044 | MAP SENSOR CPL. 09 | 1 |
| 3 | 81241013044 | FUEL RAIL CPL. 09 | 1 |
| 4 | 75041023144 | INJECTOR KIT CPL. | 1 |
| 5 | 81241077044 | TPS KPL. 09 | 1 |
| 6 | 81241056044 | THROTTLE COVER CPL. 09 | 1 |
| 7 | 81241060000 | STARTER VALVE COMP. | 1 |
| 11 | 81241056020 | SPECIAL SCREW AH | 2 |
| 12 | 61041077010 | O-RING THROTTLE POS. SENSOR | 1 |
| 13 | 81241077030 | SPECIAL SCREW | 1 |
| 14 | 75041085010 | O-RING | 1 |
| 15 | 81241085020 | PLATE 09 | 1 |
| 16 | 81241085030 | SPECIAL SCREW | 1 |
| 17 | 75041023020 | O-RING 7,2x2,2 | 2 |
| 18 | 75041023010 | SEAL RING | 1 |
| 19 | 75041013010 | SCREW SHOULDER | 3 |
| 20 | 81241031100 | TIMING CHARGER EFI | 1 |
| 21 | 77241031050 | RUBBER BRACKET ECU | 1 |
| 22 | 61041080000 | AMBIENT-AIR TEMPERATURE SENSOR | 1 |
| 23 | 0025050166 | HH COLLAR SCREW M5X16 TX30 | 2 |
| 24 | 61041088000 | ROLLOVER SENSOR 05 | 1 |
| 25 | 0025060206 | HH COLLAR SCREW M6X20 TX30 | 2 |
| 27 | 77111014050 | PROTECTION CAP TPS | 1 |
| 28 | 77507017000 | CLAMP ABA 14MM | 1 |

137744110

C137814110

* NEW PART

X ON DEMAND



3CM089393NEN



Husqvarna Motorcycles GmbH
Stallhofnerstraße 3 | 5230 Mattighofen | Austria
www.husqvarna-motorcycles.com



THE PIONEERS OF MOTOCROSS