

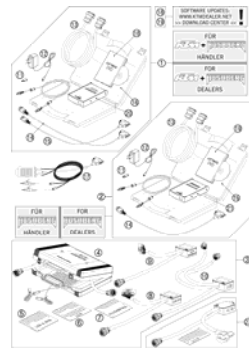

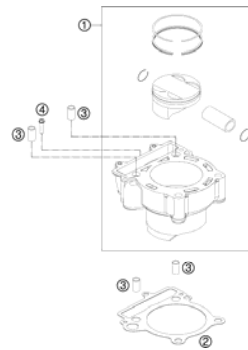
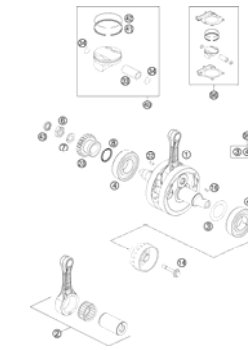


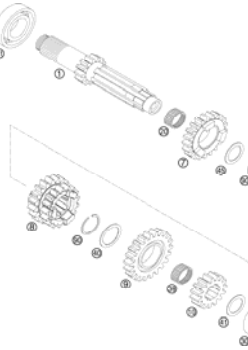
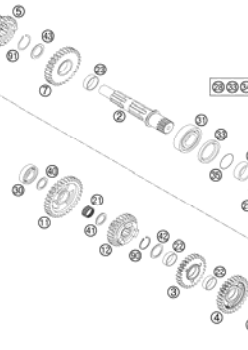
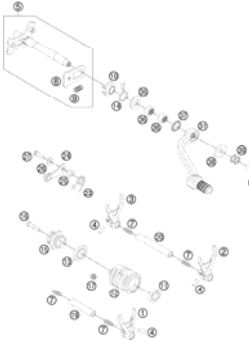
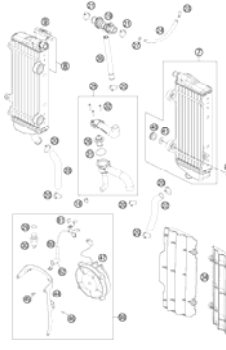
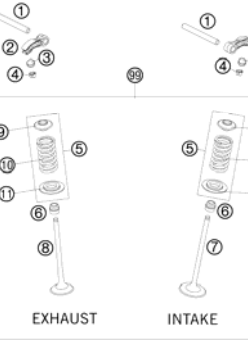

HUSABERG FE 250 2013

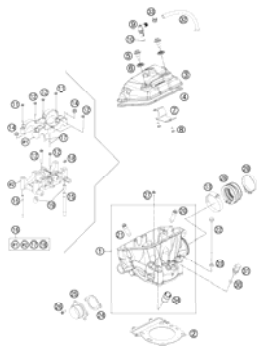
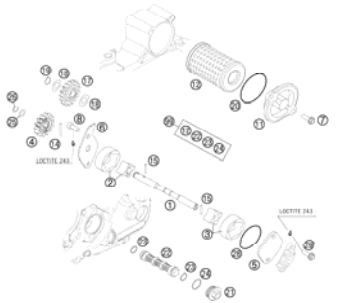
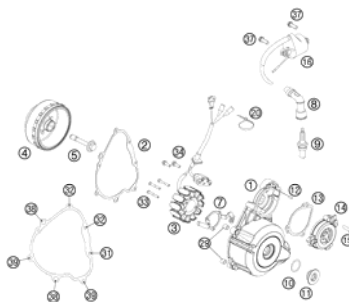
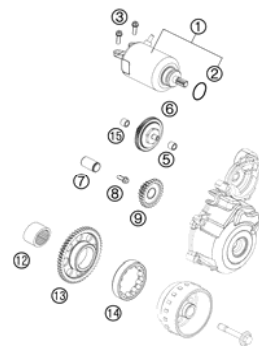
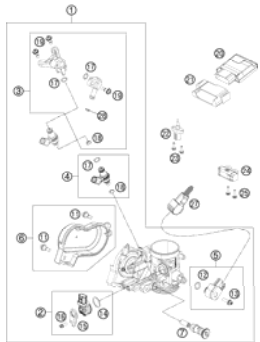
SPARE PARTS MANUAL: ENGINE

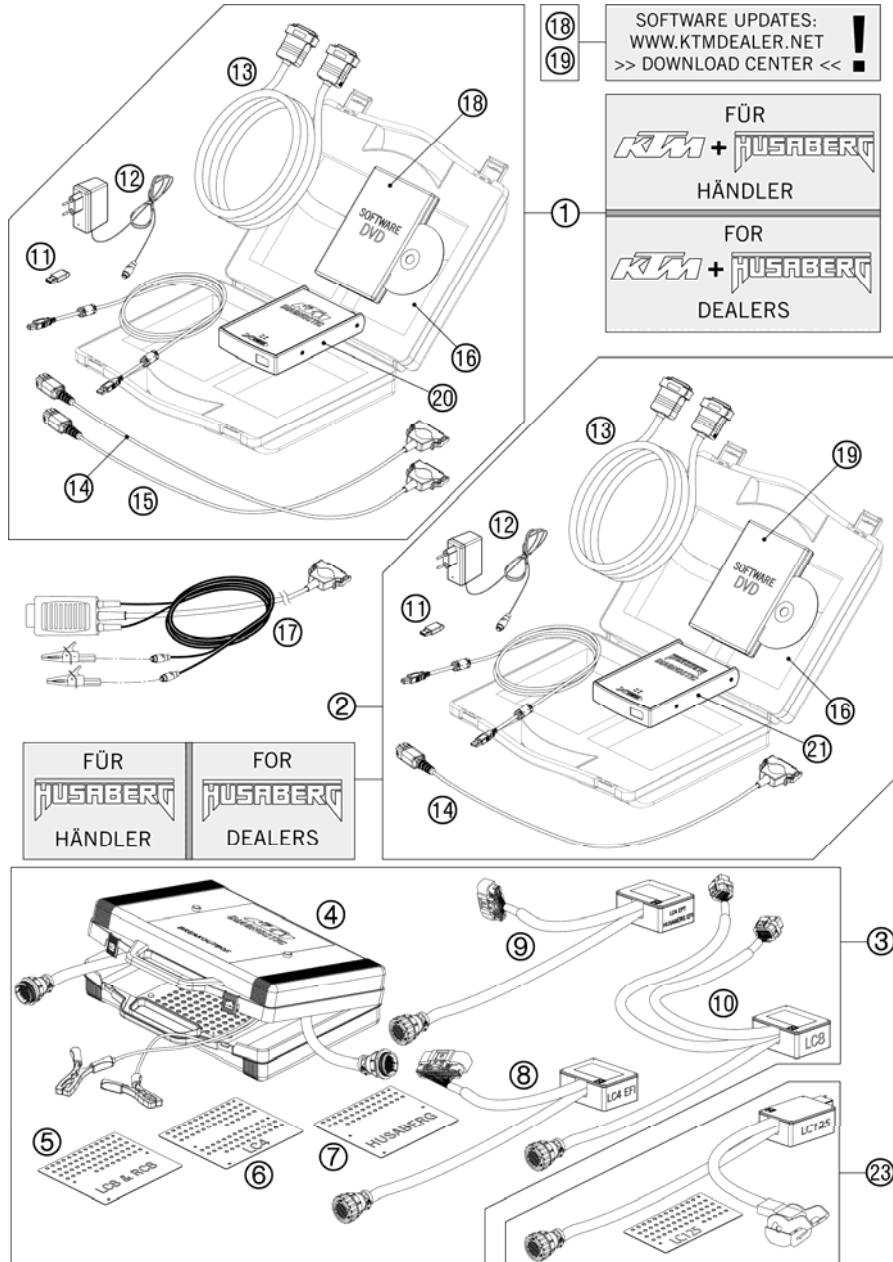
ART.NO.: 3CM089335MEN

ENGLISH

HUSABERG

| | | | |
|---|---|--|---|
| <p>DIAGNOSTIC TOOL</p>  <p>3</p> | <p>ENGINE CASE</p>  <p>4</p> | <p>CYLINDER</p>  <p>5</p> | <p>CRANKSHAFT, PISTON</p>  <p>6</p> |
| <p>CLUTCH COVER</p>  <p>7</p> | <p>CLUTCH</p>  <p>8</p> | <p>TRANSMISSION I - MAIN SHAFT</p>  <p>9</p> | <p>TRANSMISSION II - COUNTERSHAFT</p>  <p>10</p> |
| <p>SHIFTING MECHANISM</p>  <p>11</p> | <p>COOLING SYSTEM</p>  <p>12</p> | <p>VALVE DRIVE</p>  <p>EXHAUST INTAKE</p> <p>13</p> | <p>TIMING DRIVE</p>  <p>14</p> |

| | | | |
|---|---|---|--|
| <p>CYLINDER HEAD</p>  <p style="text-align: right;">16</p> | <p>LUBRICATING SYSTEM</p>  <p style="text-align: right;">17</p> | <p>IGNITION SYSTEM</p>  <p style="text-align: right;">18</p> | <p>ELECTRIC STARTER</p>  <p style="text-align: right;">19</p> |
| <p>THROTTLE BODY</p>  <p style="text-align: right;">20</p> | <div style="display: flex; align-items: center;"> <div style="background-color: #cccccc; width: 60px; height: 60px; display: flex; align-items: center; justify-content: center; margin-right: 20px;"> ! </div> <div> <p>All information contained is without obligation. KTM-Sportmotorcycle AG particularly reserves the right to modify any equipment, technical specifications, prices, colors, shapes, materials, services, service work, constructions, equipment and the like so as to adapt them to local conditions or to cancel any of the above items, all without previous announcement and without giving reasons. KTM may stop manufacturing certain models without previous notice. KTM shall not be held liable for any deviations of availability and/or ability to deliver, illustrations, descriptions, printing and/or other errors. The illustrated models partly contain extra equipment, which is not applied to standard models. © by KTM-SPORTMOTORCYCLE AG, Mattighofen AUSTRIA; All rights reserved; Reprint, also in extracts, with written allowance of KTM-SPORTMOTORCYCLE AG, Mattighofen only.</p> </div> </div> | | |



| FIG | PART NUMBER | DESCRIPTION | QTY |
|-----|-------------|---|-----|
| 1 | 00029096200 | DIAGNOSTIC TOOL HUSABERG/KTM | 1 |
| 2 | 00029096000 | DIAGNOSTIC TOOL HUSABERG | 1 |
| 3 | 00029095000 | BREAKOUT-BOX KPL. | 1 |
| 4 | 00029095001 | BREAKOUT-BOX | 1 |
| 5 | 00029095005 | TEMPLATE LC8 / RC8 | 1 |
| 6 | 00029095006 | TEMPLATE LC4 | 1 |
| 7 | 00029095007 | TEMPLATE HUSABERG | 1 |
| 8 | 00029095003 | ADAPTER LC4 EFI | 1 |
| 8 | 00029095010 | ADAPTER LC4 KHRS FOR 690 DUKE FROM MY 2012 | 1 |
| 9 | 00029095004 | ADAPTER LC4 EPT/HUSABERG EFI | 1 |
| 10 | 00029095002 | ADAPTER LC8 | 1 |
| 11 | 00029096006 | DIAGNOSTIC HASP DONGLE XC1 | 2 |
| 12 | 00029096003 | POWERSUPPLY 220V/12V FOR AVL | 2 |
| 13 | 00029096002 | EXTENSION CABLE | 2 |
| 14 | 00029096001 | DIAGNOSTIC CABLE HUSABERG | 2 |
| 15 | 00029096009 | DIAGNOSTIC CABLE KTM | 1 |
| 16 | 00029096004 | CASE FOR DIAGNOSTIC-TOOL | 1 |
| 17 | 00029096010 | DIAGN. CABLE EXT. POWER SUPPLY | 1 |
| 18 | 00029096007 | DVD KTM XC-1 UPDATE V2.0 | 1 |
| 19 | 00029096008 | BASIC SOFTWARE DVD HUSABERG | 1 |
| 20 | 00029096011 | FRAME XC_1 SCANBOX KTM | 1 |
| 21 | 00029096012 | FRAME XC_1 SCANBOX HUSABERG | 1 |
| 23 | 00029095009 | ADAPTER LC125 | 1 |

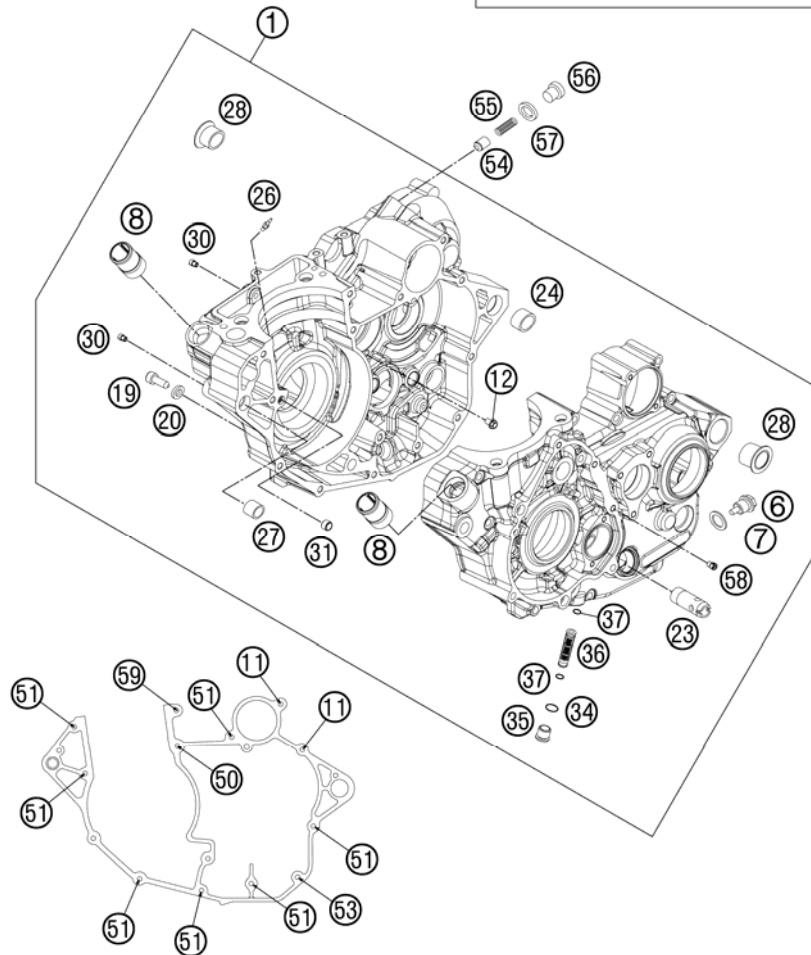
100002920 / C100002920

* NEW PART

X AS REQUIRED



- ①
- ⑥ ⑦ ⑧ ⑫ ⑰ ⑳ ㉓ ㉔ ㉖
⑳ ㉔ ㉕ ㉖ ㉗ ㉘ ㉙ ㉚ ㉛ ㉜
- 7x 590.30.196.000,
1x 0760 142460, 0760 324571,
0760 354774, 0760 304772,
770.38.013.100,
- + LAGER / BEARINGS**
2x 503.30.082.000,
2x 546.32.095.000,
1x 0625 060042, 0625 060031,
0625 160031, 0625 062054,
0625 618050, 0618 182412.

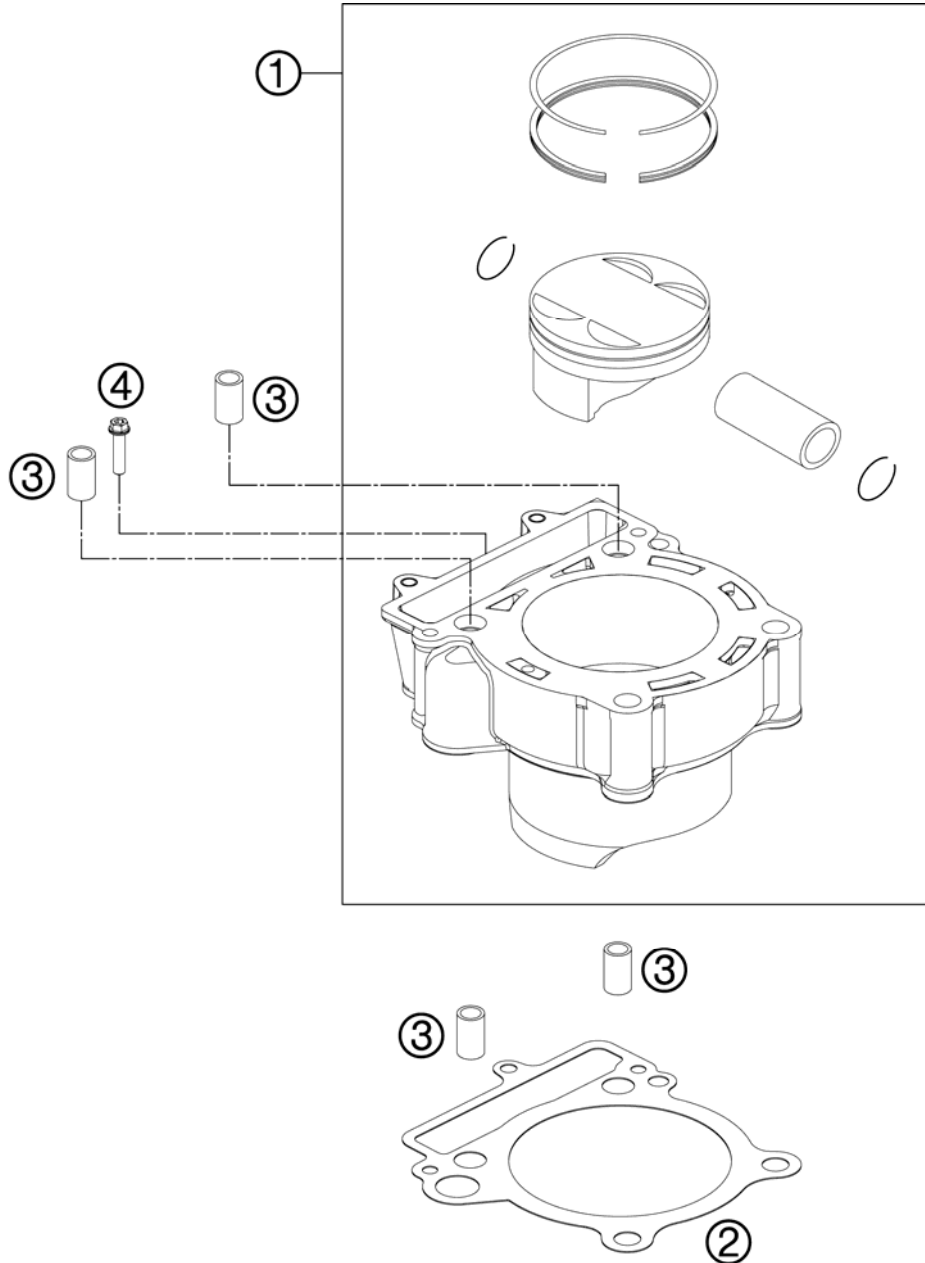


| FIG | PART NUMBER | DESCRIPTION | QTY |
|-----|-------------|--------------------------------|-----|
| 1 | 77130000244 | ENGINE CASE | 1 |
| 6 | 58030021000 | OILDRAIN PLUG W.MAG. M 12X1,5 | 1 |
| 7 | 58038022000 | CU-SEAL RING DIN7603-12X18X1,5 | 1 |
| 8 | 58030010200 | SCREW IN NOZZLE M20X1,5 | 2 |
| 11 | 0025060406 | HH COLLAR SCREW M6X40 TX30 | 2 |
| 12 | 0025060086 | HH COLLAR SCREW M6X8 TX30 | 2 |
| 19 | 58030080000 | LOCATING SCREW M8 L=23 | 1 |
| 20 | 58030081000 | CU-SEAL RING 8 X 14 X 3 | 1 |
| 23 | 77038022000 | OIL INTAKEPIPE | 1 |
| 24 | 59030024000 | DOWEL 17 X 19 X 12 | 1 |
| 26 | 60030064070 | OIL JET 70 M6X0,75 WS8 03 | 1 |
| 27 | 54630027000 | DOWEL BUSHING 13,8X11X12 | 1 |
| 28 | 75030010100 | CASE BUSH | 2 |
| 30 | 59030058000 | JET 100 BING(44-031/180) M4 | 2 |
| 31 | 77130023000 | DOWEL 6X8X5,5 | 1 |
| 34 | 0770120020 | O-RING 12,00X2,00 NBR 70 | 1 |
| 35 | 77038017000 | SCREW PLUG | 1 |
| 36 | 59038015100 | OIL SCREEN 11,8x44,5MM | 1 |
| 37 | 07700900151 | O-RING 9x1,5 V75 SH DIN 3771 | 2 |
| 50 | 0025060656 | HH COLLAR SCREW M6X65 TX30 | 1 |
| 51 | 0025060506 | HH COLLAR SCREW M6X50 TX30 | 7 |
| 53 | 0025060306 | HH COLLAR SCREW M6X30 TX30 | 1 |
| 54 | 58038028000 | VALVE PISTON D=10MM | 1 |
| 55 | 58038023300 | PRESSURE SPRING L=25MM D=1MM | 1 |
| 56 | 0908120153 | PLUG DIN0908-M12X1,5 | 1 |
| 57 | 58038022000 | CU-SEAL RING DIN7603-12X18X1,5 | 1 |
| 58 | 80030058060 | OIL JET "60" M4 | 1 |
| 59 | 0025060606 | HH COLLAR SCREW M6X60 TX30 | 1 |
| 60 | 77030099100 | GASKET SET 05-11 | 1 |

127713010 / C137743010

* NEW PART

X AS REQUIRED



| FIG | PART NUMBER | DESCRIPTION | QTY |
|-----|-------------|----------------------------|-----|
| 1 | 77130038100 | CYLINDER + PISTON CPL. | 1 |
| 2 | 77030035200 | CYLINDER BASE GASKET | 1 |
| 3 | 58530014100 | DOWEL BUSHING 10,2X12,5X10 | 4 |
| 4 | 0025060256 | HH COLLAR SCREW M6X25 TX30 | 1 |

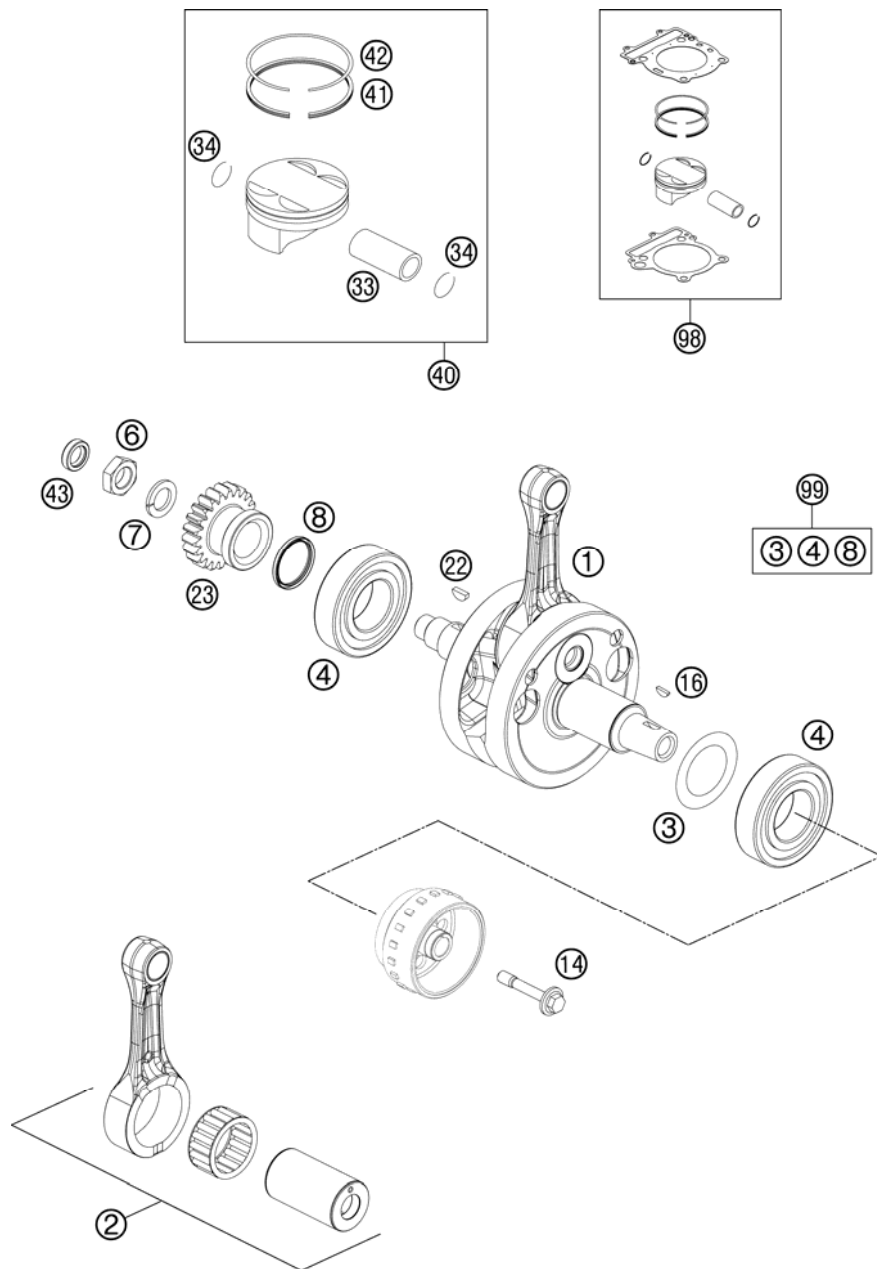
117713040 / C137743040

* NEW PART

X AS REQUIRED

CRANKSHAFT, PISTON

HUSABERG FE 250 2013



| FIG | PART NUMBER | DESCRIPTION | QTY |
|-----|----------------|--------------------------------|-----|
| 1 | 77130018000 | % CRANKSHAFT SX-F | 1 |
| 2 | 77030015344 | CONNECT. ROD REPAIR SET | 1 |
| 3 | 56030081000 | THRUST WASHER 30,5X45X0,10 | x |
| 3 | 56030081100 | THRUST WASHER 30,7X47X0,15 | x |
| 3 | 56030081200 | THRUST WASHER 30,5X45X0,30 | x |
| 4 | 50330082000 | CYL.ROLLER BEAR.NJ206 ET2XCS46 | 2 |
| 6 | 54630029000 | HEX.NUT L/SH M18X1,5 | 1 |
| 7 | 58132072000 | LOCK WASHER VSK 18 | 1 |
| 8 | 0760354774 | SHAFT SEAL RING 35X47X7 VITON | 1 |
| 14 | 77339010100 | FLYWHEEL SCREW | 1 |
| 16 | 6946005 | WOODRUFF KEY 5X6,5 HARDED | 1 |
| 22 | 0888030037 | WOODRUFF KEY DIN6888-3X3,7 | 1 |
| 23 | 77132000022 | PRIMARY GEAR 22T. | 1 |
| 33 | 77030033000 | PISTON PIN BOLT D=16mm | 05 |
| 34 | 77030074000 | CIRCLIP | 05 |
| 40 | 77130007100 I | PISTON CPL. D=76MM | 1 |
| 40 | 77130007100 II | PISTON CPL. D=76MM | 1 |
| 41 | 77130032000 | OIL SCRAPER RING | 1 |
| 42 | 77030030200 | COMPRESSION RING | 1 |
| 43 | 0760142460 | SHAFT SEAL RING 14X24X6 B | 1 |
| 98 | 00050000013 | PISTON KIT GR.II EXCF/SXF 06-1 | x |
| 98 | 00050000033 | PISTONKIT GR.I EXC-F/SX-F06-12 | x |
| 99 | 00050002302 | CRANKSHAFT REP. KIT 250SX-F/ | x |

117713060 / C137743060

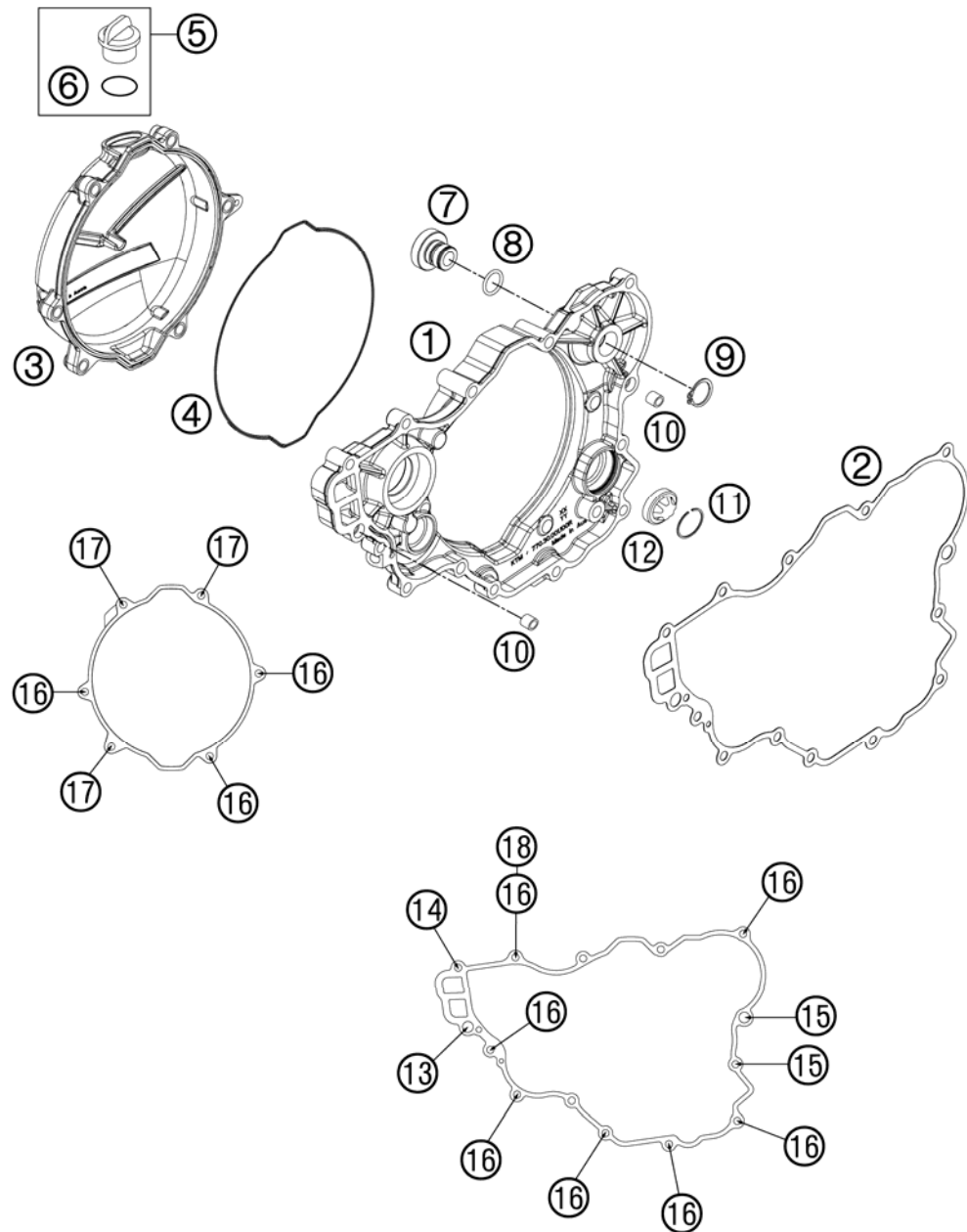
* NEW PART

X AS REQUIRED



CLUTCH COVER

HUSABERG FE 250 2013



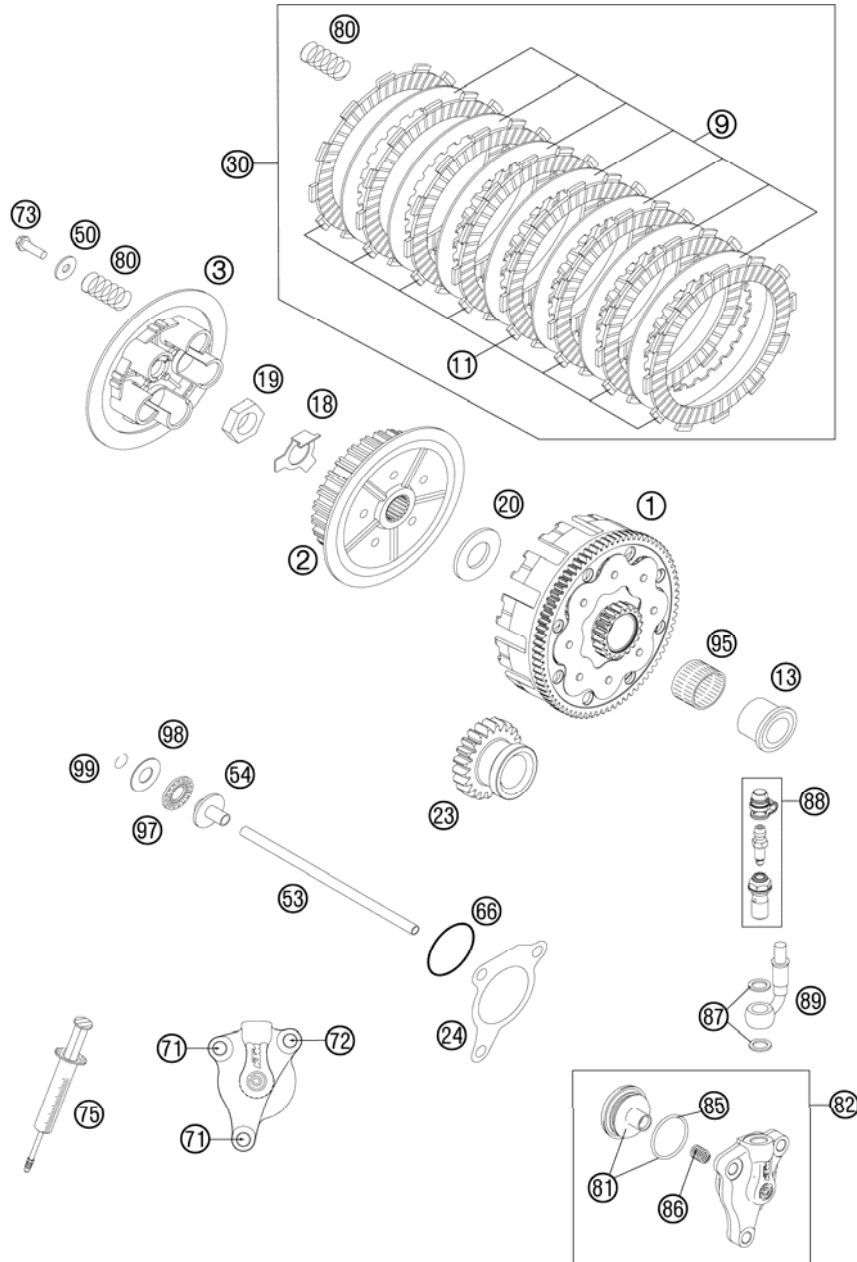
| FIG | PART NUMBER | DESCRIPTION | QTY |
|-----|---------------|-------------------------------|-----|
| 1 | 7703000124415 | CLUTCH COVER CPL. | 1 |
| 2 | 77030025100 | GASKET FOR CLUTCH COVER 05 | 1 |
| 3 | 7703012600089 | CLUTCH COVER OUTSIDE 13 | 1 |
| 4 | 77030027000 | MOLDED RING 05 | 1 |
| 5 | 58030120000 | OIL FILLER CAP M24x3 WITH O-R | 1 |
| 6 | 0770191015 | O-RING 19,00X3,00 NBR | 1 |
| 7 | 77230001010 | PLUG STARTING LEVER | 1 |
| 8 | 0770140200 | O-RING 14,00X2,00 | 1 |
| 9 | 0471170010 | CIRCLIP DIN0471-17X1 | 1 |
| 10 | 49030090000 | DOWEL 9,8 X 7 X 10 | 2 |
| 11 | 61030019050 | CIRCLIP OIL LEVEL GLASS 03 | 1 |
| 12 | 59030019100 | OIL LEVEL GLASS | 1 |
| 13 | 0025060406 | HH COLLAR SCREW M6X40 TX30 | 1 |
| 14 | 0025060356 | HH COLLAR SCREW M6X35 TX30 | 1 |
| 15 | 0025060306 | HH COLLAR SCREW M6X30 TX30 | 2 |
| 16 | 0025060256 | HH COLLAR SCREW M6X25 TX30 | 10 |
| 17 | 0025060556 | HH COLLAR SCREW M6X55 TX30 | 3 |
| 18 | 0603061001 | CU-SEAL RING DIN7603-6X10X1 | 1 |

138133020 / C138133020

* NEW PART

X AS REQUIRED





| FIG | PART NUMBER | DESCRIPTION | QTY |
|-----|-------------|--------------------------------|-----|
| 1 | 77032001100 | OUTER CLUTCH CPL. | 1 |
| 2 | 77032002100 | INNER CLUTCH HUB | 1 |
| 3 | 77032003100 | PRESSURE PLATE | 1 |
| 9 | 77032010000 | INTERMEDI. DISC STEEL 05 | 7 |
| 11 | 77032011000 | LINING DISC 3,0MM 05 | 8 |
| 13 | 50332013000 | INNER RING 20X26X25,9 '98 | 1 |
| 18 | 50332018000 | SHEET METAL LOCK 1,5MM '98 | 1 |
| 19 | 0936181505 | HEXAGON NUT DIN0936-M18X1,5 R. | 1 |
| 20 | 50332020000 | STOP DISK 20X39,6X3 '98 | 1 |
| 23 | 77132000022 | PRIMARY GEAR 22T. | 1 |
| 24 | 59032065000 | GASKET FOR SLAVE CYLINDER | 1 |
| 30 | 77032011010 | CLUTCH KIT 250 SXF/EXCF 5-12 | 1 |
| 50 | 50232050000 | WASHER 6,2X18X2 | 5 |
| 53 | 77032054000 | PUSH ROD 05 | 1 |
| 54 | 50332054051 | PRESSURE PIECE 125-380 '98 | 1 |
| 66 | 0770300015 | O-RING 30,00X1,50 NBR 70 | 1 |
| 71 | 0025060206 | HH COLLAR SCREW M6X20 TX30 | 2 |
| 72 | 0025060356 | HH COLLAR SCREW M6X35 TX30 | 1 |
| 73 | 0025060256 | HH COLLAR SCREW M6X25 TX30 | 5 |
| 75 | 50329050000 | VENT INJEKTION HYDR. CLUTCH | 1 |
| 80 | 77032005000 | CLUTCH SPRING | 5 |
| 81 | 54832066000 | PISTON CPL. | 1 |
| 82 | 54832061044 | OUTPUT CYLINDER CPL. 06 | 1 |
| 85 | 54832067000 | O-RING | 1 |
| 86 | 54832069000 | PRESSURE SPRING | 1 |
| 87 | 42013226000 | CU-SEAL RING DIN7603-10X16X1 | 2 |
| 88 | 62513020000 | BLEEDER SCREW CPL. 05 | 1 |
| 89 | 54832063000 | CLUTCH PIPE 06 | 1 |
| 95 | 56532095000 | NEEDLE BEARING K26X30X22ZW.KSE | 1 |
| 97 | 54637097200 | AXIAL NEEDLE BEARING AXK 1226 | 1 |
| 98 | 54637098200 | AXIAL WASHER AS1226 12X26X1 | 1 |
| 99 | 0993012000 | CIRCLIP DIN7993-RW12 | 1 |

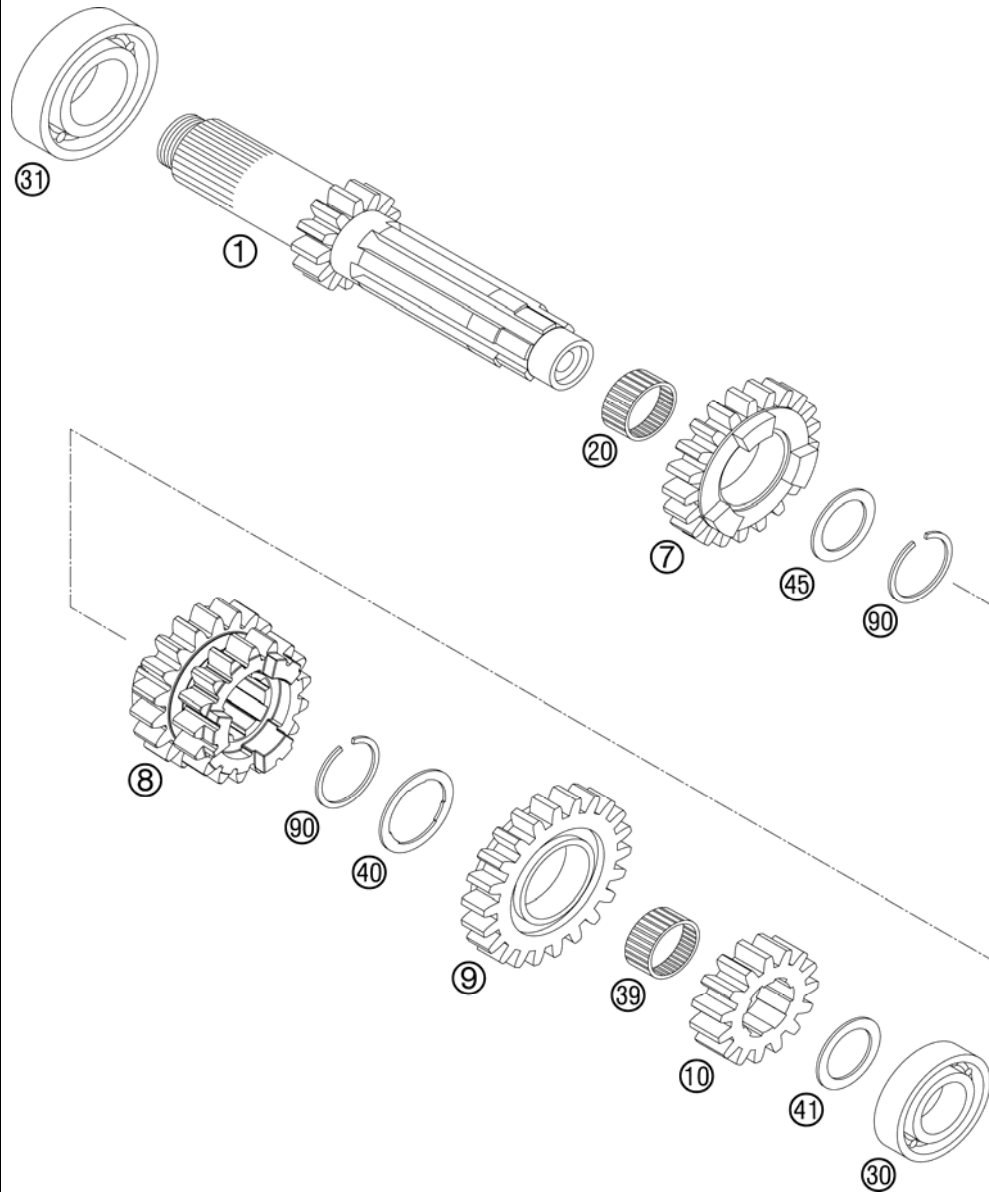
117713210 / C127713211

* NEW PART

X AS REQUIRED

TRANSMISSION I - MAIN SHAFT

HUSABERG FE 250 2013



| FIG | PART NUMBER | DESCRIPTION | QTY |
|-----|-------------|--------------------------------|-----|
| 1 | 77033101000 | MAIN SHAFT CPL. Z=13 "B13" | 1 |
| 7 | 77033105000 | IDLER G. 5TH G=23 "5B23" | 1 |
| 8 | 77033103000 | SLIDING G.3/4. G19/23-T"B1923" | 1 |
| 9 | 77033106000 | IDLER G. 6TH G.26 "6B26" | 1 |
| 10 | 77033102000 | SOLID GEAR 2ND G.17-T"2B17" | 1 |
| 20 | 0405222611 | NEEDLE BEAR.K 22X26X10 DIVIDED | 1 |
| 30 | 0625160032 | GROOVED BALL BEARING 16003 Z | 1 |
| 31 | 0625060042 | BALL BEARING 6004 TN9 C4 | 1 |
| 39 | 50133099000 | NEEDLE CAGE K18X22X10 PARTED | 1 |
| 40 | 77033021000 | STOP DISC 05 | 1 |
| 41 | 50333030000 | STOP DISK 17,2X24X1 | 1 |
| 45 | 77033020000 | STOP GEAR 22X28.5X1 05 | 1 |
| 90 | 50133090000 | LOCK RING 22X1,2 | 2 |

087703340 / C087703340

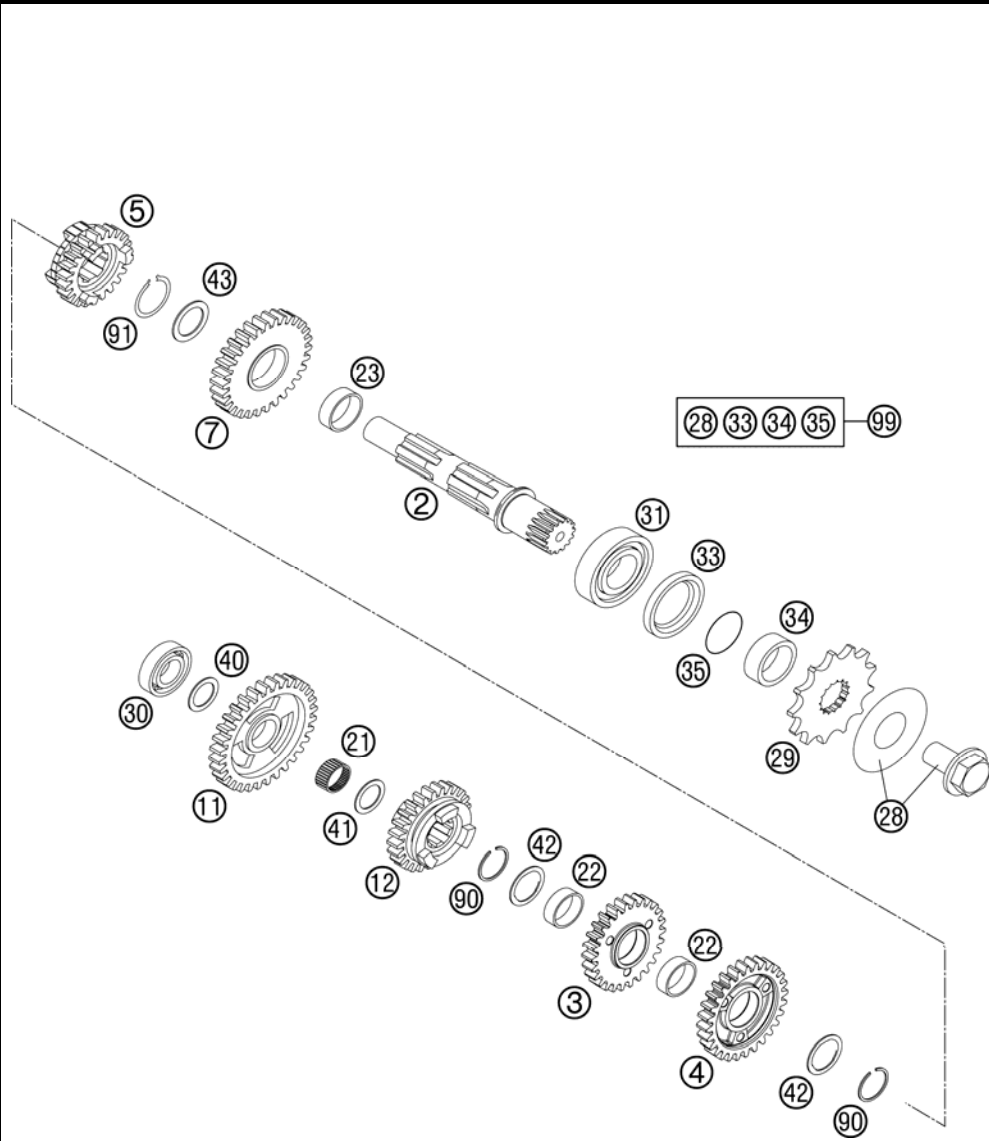
* NEW PART

X AS REQUIRED



TRANSMISSION II - COUNTERSHAFT

HUSABERG FE 250 2013



| FIG | PART NUMBER | DESCRIPTION | QTY |
|-----|-------------|--------------------------------|-----|
| 2 | 77033010000 | COUNTER SHAFT 05 | 1 |
| 3 | 77033114000 | IDLER G. 4TH 6.28-T "4B28" | 1 |
| 4 | 77033113000 | IDLER G. 3RD G.29-T "3B29" | 1 |
| 5 | 77033116100 | SLIDING G. 6TH 6.22-T "6B26" | 1 |
| 7 | 77033112000 | IDLER G. 2ND 6. 33-T "2B33" | 1 |
| 11 | 77033111000 | IDLER G. 1ST G. 33-T "1B33" | 1 |
| 12 | 77033115100 | SLIDING G. 5TH G .23-T "5B23" | 1 |
| 21 | 50033098000 | NEEDLE BEARING K20X24X10 | 1 |
| 22 | 0405222611 | NEEDLE BEAR.K 22X26X10 DIVIDED | 2 |
| 23 | 50333023000 | IDLER GEAR BUSHING 25X28X9,7 D | 1 |
| 28 | 59033034044 | SCREW 10.9+SPRING WASHER | 1 |
| 29 | 50033029013 | FRONT SPROCKET 13-T | x |
| 29 | 50033029014 | FRONT SPROCKET 14-T | x |
| 29 | 50033029015 | FRONT SPROCKET 15-T | x |
| 30 | 0625060031 | BALL BEARING 6003 TN9 C4 | 1 |
| 31 | 0625062054 | BALL BEARING 6205 C3 NTN | 1 |
| 33 | 0760324571 | SHAFT SEAL RING 32X45X7 BSLNBR | 1 |
| 34 | 54633014100 | SPACER BUSHING 12MM | 1 |
| 35 | 0770020220 | O-RING 25,12X1,78 NBR70 | 1 |
| 40 | 56033030000 | STOP DISC 17,2X30X1 | 1 |
| 41 | 59033080000 | SHIM 20X32X1 | 1 |
| 42 | 50333043000 | STOP DISC 25,2X32X1 | 2 |
| 43 | 0988253510 | THRUST WASH. DIN0988-25X35X1,0 | 1 |
| 90 | 77033022000 | AXIAL-CIRCLIP 25X1,65 | 2 |
| 91 | 0471250120 | CIRCLIP DIN0471-25X1,2 | 1 |
| 99 | 00050000941 | COUNTER SHAFT REP.KIT 4 STROKE | x |

117703360 / C117703360

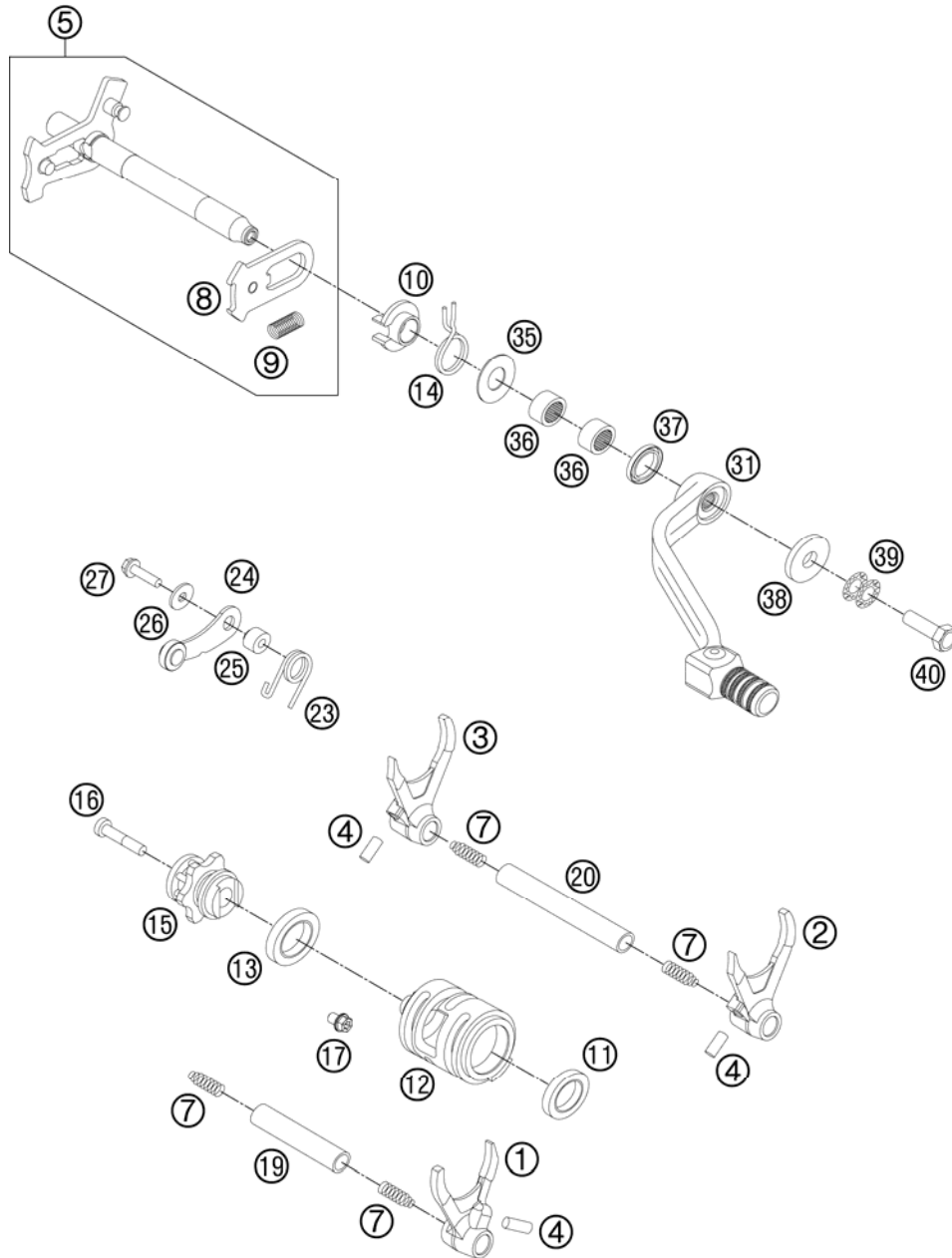
* NEW PART

X AS REQUIRED



SHIFTING MECHANISM

HUSABERG FE 250 2013



| FIG | PART NUMBER | DESCRIPTION | QTY |
|-----|-------------|--------------------------------|-----|
| 1 | 77034001000 | SHIFTING FORK 5TH/6TH GEAR 05 | 1 |
| 2 | 77034002000 | SHIFTING FORK 2ND/3RD GEAR 05 | 1 |
| 3 | 77034003000 | SHIFTING FORK 1ST/4TH GEAR 05 | 1 |
| 4 | 0402061480 | NEEDLE ROLLER DIN5402 6X14,8 | 3 |
| 5 | 77034005044 | SHIFTING SHAFT CPL. 05 | 1 |
| 7 | 58038023200 | PRESSURE SPRING 0,9MM | 4 |
| 8 | 54634008044 | SLIDING PLATE CPL. | 1 |
| 9 | 56534013100 | TENSIONING SPRING 0,8MM | 1 |
| 10 | 54634020000 | SPRING GUIDE | 1 |
| 11 | 0625069034 | BALL BEARING 6903 C4 | 1 |
| 12 | 77034012000 | SHIFT ROLLER 05 | 1 |
| 13 | 0625618050 | BALL BEARING 61805 C3 | 1 |
| 14 | 54634014100 | RETURN SPRING 2,2MM '95 | 1 |
| 15 | 77034015144 | SHIFT LOCATING DRUM CPL. 05 | 1 |
| 16 | 0912060303 | AH SCREW DIN0912-M 6X30 | 1 |
| 17 | 0025060086 | HH COLLAR SCREW M6X8 TX30 | 1 |
| 19 | 54834019000 | SHIFT. RAIL MAIN SHAFT 250/300 | 1 |
| 20 | 77034019000 | SHIFTING MAIN L=93MM 05 | 1 |
| 23 | 77034023000 | LOCKING LEVER SPRING | 1 |
| 24 | 77034024044 | LOCKING LEVER CPL. 08 | 1 |
| 25 | 54634052300 | SLEEVE FOR LOCKING LEVER | 1 |
| 26 | 0349000050 | WASHER DIN7349-5X15X2 | 1 |
| 27 | 0025050206 | HH COLLAR SCREW M5X20 TX30 | 1 |
| 31 | 59034031000 | SHIFT LEVER CPL.RACING 2000 | 1 |
| 35 | 54634050000 | STOP DISK 14X30X1 | 1 |
| 36 | 54632095000 | NEEDLE BEAR.HK 1412 14X20X12 | 2 |
| 37 | 0760142460 | SHAFT SEAL RING 14X24X6 B | 1 |
| 38 | 50232050001 | STEEL WASHER 6,4X17X3 | 1 |
| 39 | 50233041000 | PAIR OF WASHERS M 6 NORDLOCK | 1 |
| 40 | 59009062016 | SPECIAL SCREW M6X16 WS=8 10.9 | 1 |

127713410 / C127713411

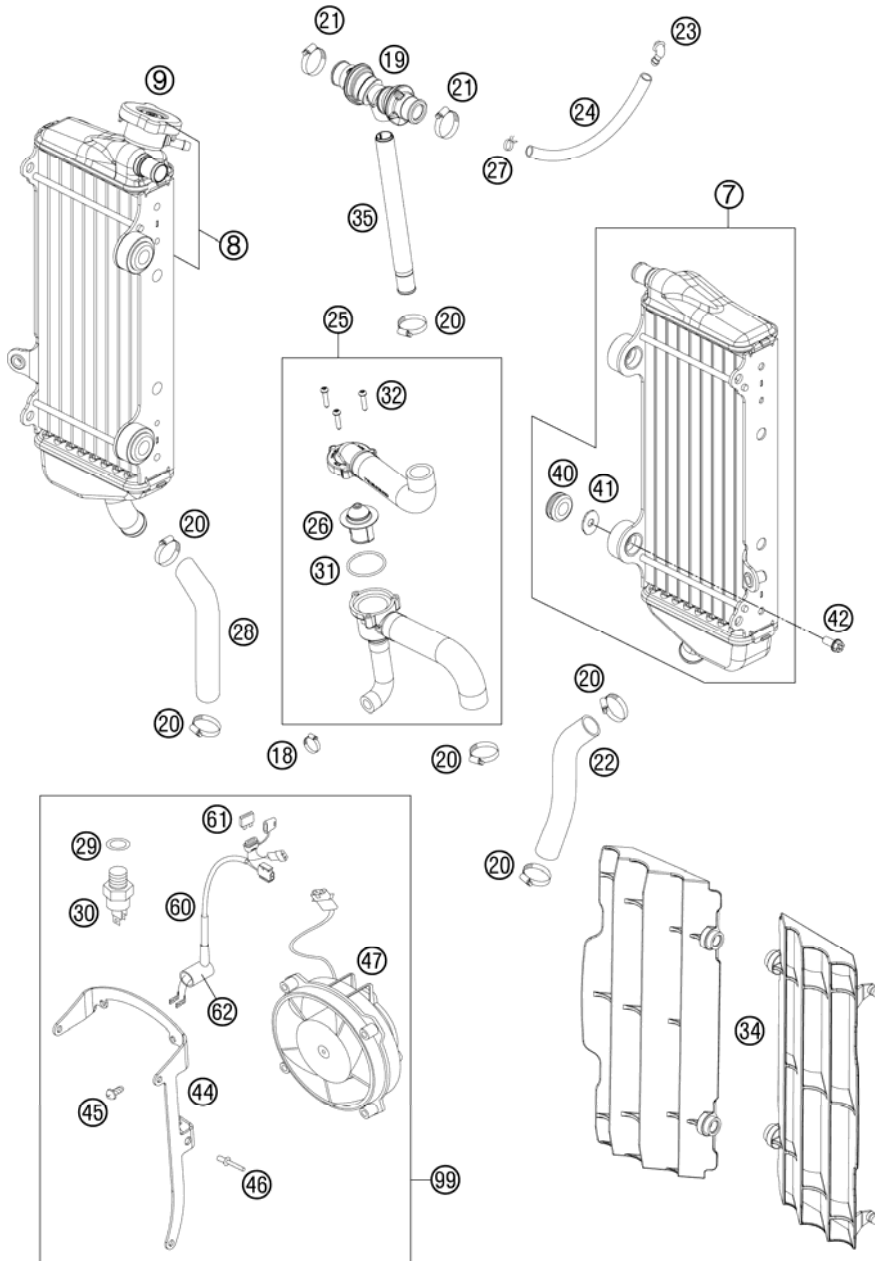
* NEW PART

X AS REQUIRED



COOLING SYSTEM

HUSABERG FE 250 2013



| FIG | PART NUMBER | DESCRIPTION | QTY |
|-----|---------------|--------------------------------|-----|
| 7 | 77035007300 | RADIATOR L/S "55623U" 12 | 1 |
| 8 | 78035008200 | RADIATOR R/S "65061U" 12 | 1 |
| 9 | 77335016000 | RADIATOR CAP SMALL 1,8 BAR | 1 |
| 18 | 58335099000 | HOSE CLAMP GEMI 10-16 | 1 |
| 19 | 77235071044 | Y-CONNECOTOR CPL. | 1 |
| 20 | 10001020000 | HOSE CLAMP GEMI 16-27 | 6 |
| 21 | 42013037400 | HOSE CLAMP NORMA 12/24 | 2 |
| 22 | 77035025000 | RADIATOR HOSE L/S, R/S 250 SXF | 1 |
| 23 | 50303089000 | ANGLE PIECE '97 | 1 |
| 24 | 50335030001 | PVC-HOSE 6X9 | x |
| 25 | 77435026033 | RAD.HOSE W. THERM. 70° '12 | 1 |
| 26 | 59435017000 | THERMOSTAT 70 DEGREE 04 | 1 |
| 27 | 59007017000 | CLAMP YDNAC 10096F (9,6MM) | 1 |
| 28 | 77035027100 | RADIATOR HOSE R/S 07 | 1 |
| 29 | 0603142015 | ALU SEALRING DIN7603-14X20X1,5 | 1 |
| 30 | 78035045000 | THERMOSWITCH 95-100 DG | 1 |
| 31 | 0770320020 | O-RING 32,00X2,00 | 1 |
| 32 | 0016040183 | SCREW FOR PLASTIC D=4X18 | 3 |
| 34 | 7733503400030 | RADIATOR PROTECTION BLACK 07 | 2 |
| 35 | 77235073000 | HOSE CONNECTOR L=172,5 | 1 |
| 40 | 41001052000 | RUBBER SLEEVE D=12MM | 4 |
| 41 | 77335001000 | WASHER FOR RADIATOR 08 | 4 |
| 42 | 0023060123 | COLLAR SCREW M6X12 TX | 4 |
| 44 | 81235943000 | FAN SUPPORT | 1 |
| 45 | 0081050181 | SCREW FOR PLASTIC K50X18 T20 | 3 |
| 46 | 0011400800 | RIVET 4,0X 8 ALU | 3 |
| 47 | 58435041000 | FAN CPL. 12V LC4 2000 | 1 |
| 60 | 59011079100 | FAN WIRING HARNESS | 1 |
| 61 | 58011109105 | FUSE 5 A 2003 | 1 |
| 62 | 58311096000 | PROTECTION CAP THERMOSWITCH | x |
| 99 | 81235941044 | FAN KIT COMPLETE | 1 |

127703530 / C138133531

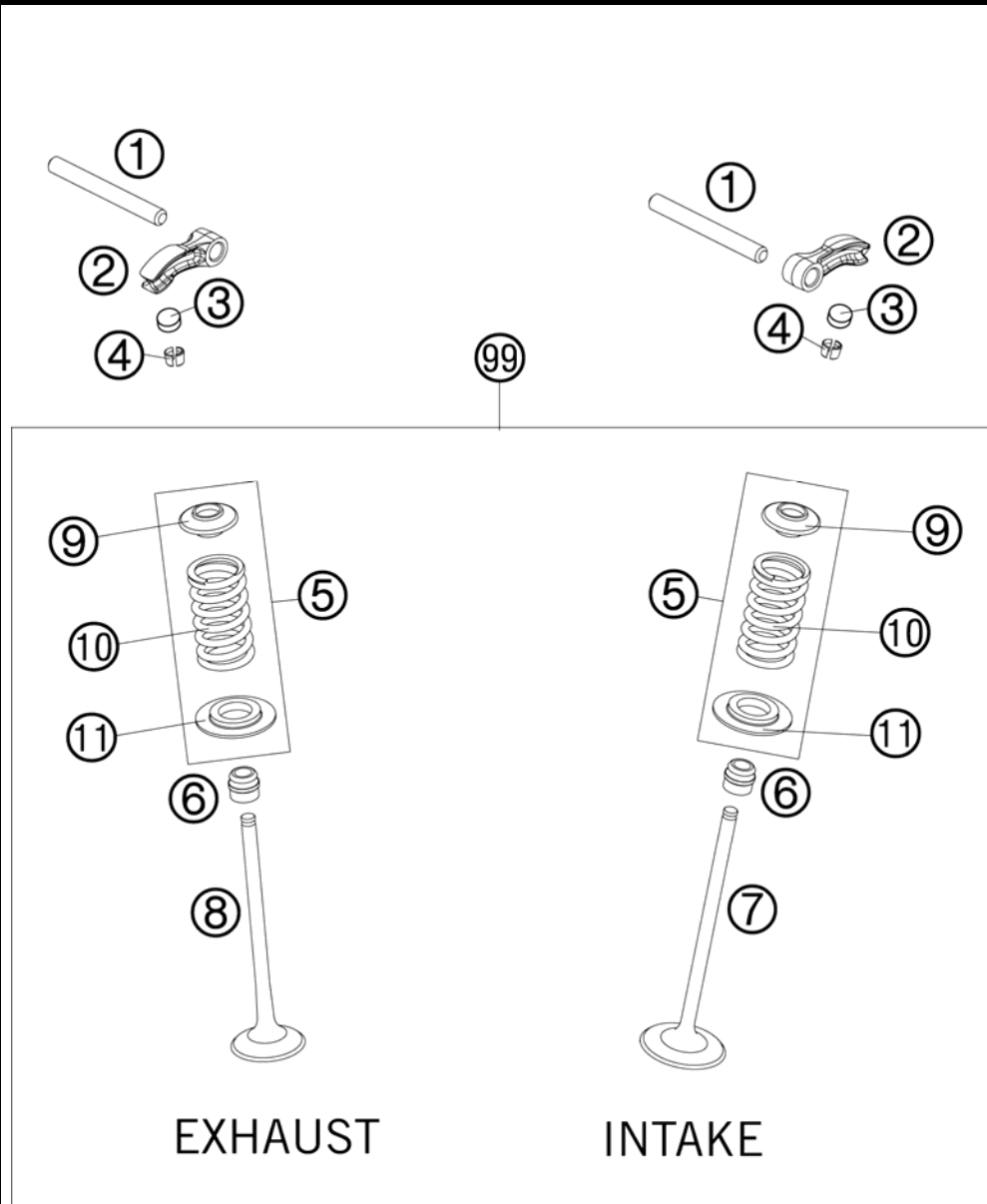
* NEW PART

X AS REQUIRED



VALVE DRIVE

HUSABERG FE 250 2013



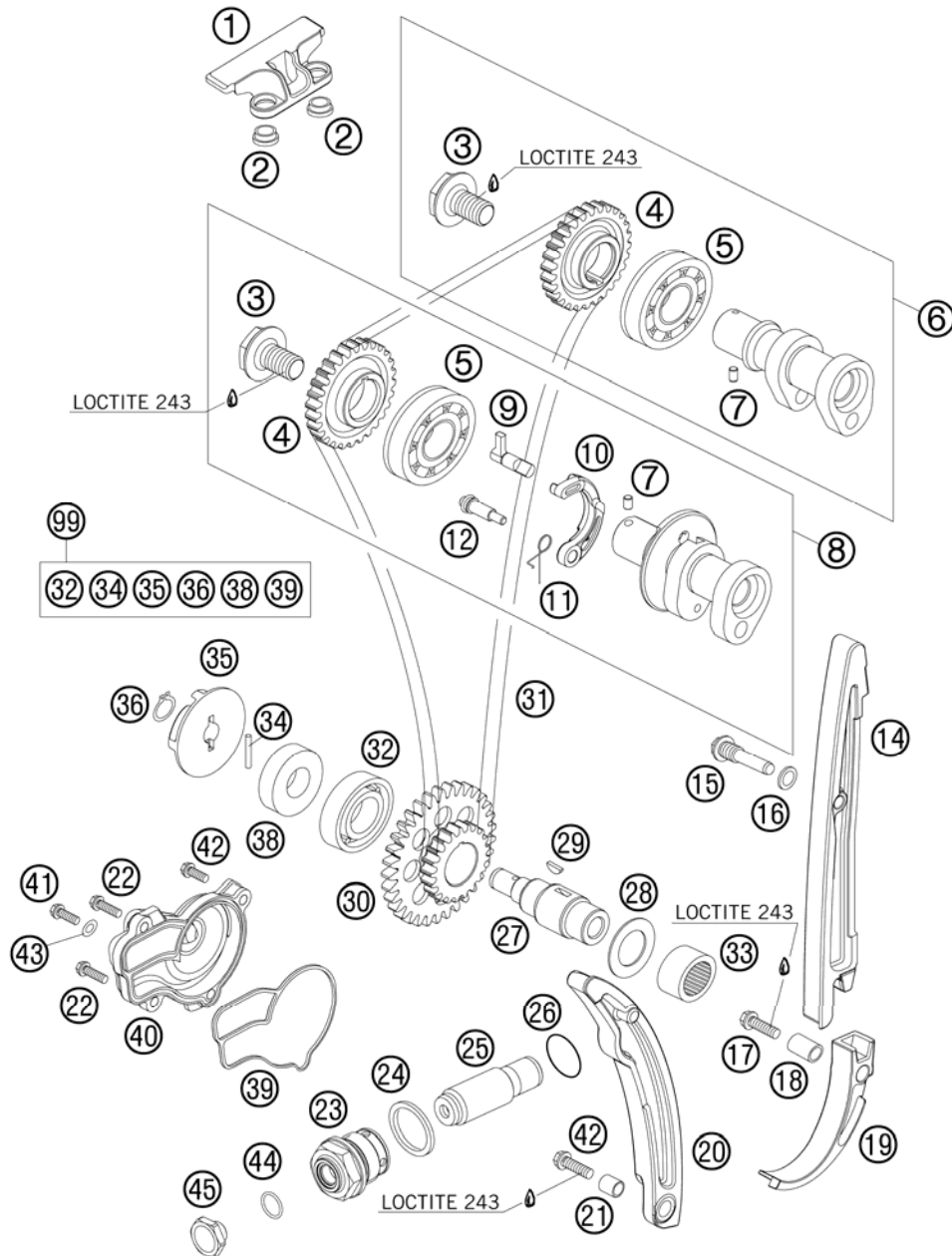
| FIG | PART NUMBER | DESCRIPTION | QTY |
|-----|-------------|-------------------------------|---------|
| 1 | 77036056000 | VALVE LEVER SHAFT | 2 |
| 2 | 77036060100 | VALVE LEVER | 4 |
| 3 | 77036035172 | SHIM D=8,9/1,72 | x |
| 3 | 77036035176 | SHIM D=8,9/1,76 | x |
| 3 | 77036035180 | SHIM D=8,9/1,80 | x |
| 3 | 77036035184 | SHIM D=8,9/1,84 | x |
| 3 | 77036035188 | SHIM D=8,9/1,88 | x |
| 3 | 77036035192 | SHIM D=8,9/1,92 | x |
| 3 | 77036035196 | SHIM D=8,9/1,96 | x |
| 3 | 77036035200 | SHIM D=8,9/2,00 | x |
| 3 | 77036035204 | SHIM D=8,9/2,04 | x |
| 3 | 77036035208 | SHIM D=8,9/2,08 | x |
| 3 | 77036035212 | SHIM D=8,9/2,12 | x |
| 3 | 77036035216 | SHIM D=8,9/2,16 | x |
| 3 | 77036035220 | SHIM D=8,9/2,20 | x |
| 3 | 77036035224 | SHIM D=8,9/2,24 | x |
| 3 | 77036035228 | SHIM D=8,9/2,28 | x |
| 3 | 77036035232 | SHIM D=8,9/2,32 | x |
| 3 | 77036035236 | SHIM D=8,9/2,36 | x |
| 3 | 77036035240 | SHIM D=8,9/2,40 | x |
| 3 | 77036035244 | SHIM D=8,9/2,44 | x |
| 3 | 77036035248 | SHIM D=8,9/2,48 | x |
| 3 | 77036035252 | SHIM D=8,9/2,52 | x |
| 3 | 77036035256 | SHIM D=8,9/2,56 | x |
| 3 | 77036035260 | SHIM D=8,9/2,60 | x |
| 4 | 77036033000 | VALVE COLLET | 05 8 |
| 5 | 77036028344 | VALVE SPRING KIT | 08 4 |
| 6 | 77036027000 | VALVE-STEM SEALING | 05 4 |
| 7 | 77136030100 | INTAKE VALVE | 2 |
| 8 | 77136031000 | EXHAUST VALVE | 2 |
| 9 | 77036032300 | VALVE SPRING RETAINER | 4 |
| 10 | 77036028300 | VALVE SPRING INSIDE | 4 |
| 11 | 77036036300 | VALVE SPRING HOLDER | 4 |
| 99 | 77036030110 | VALVE KIT 250 EXC-F/SX-F 8-12 | 1 |

107703610 / C127703610

* NEW PART

X AS REQUIRED





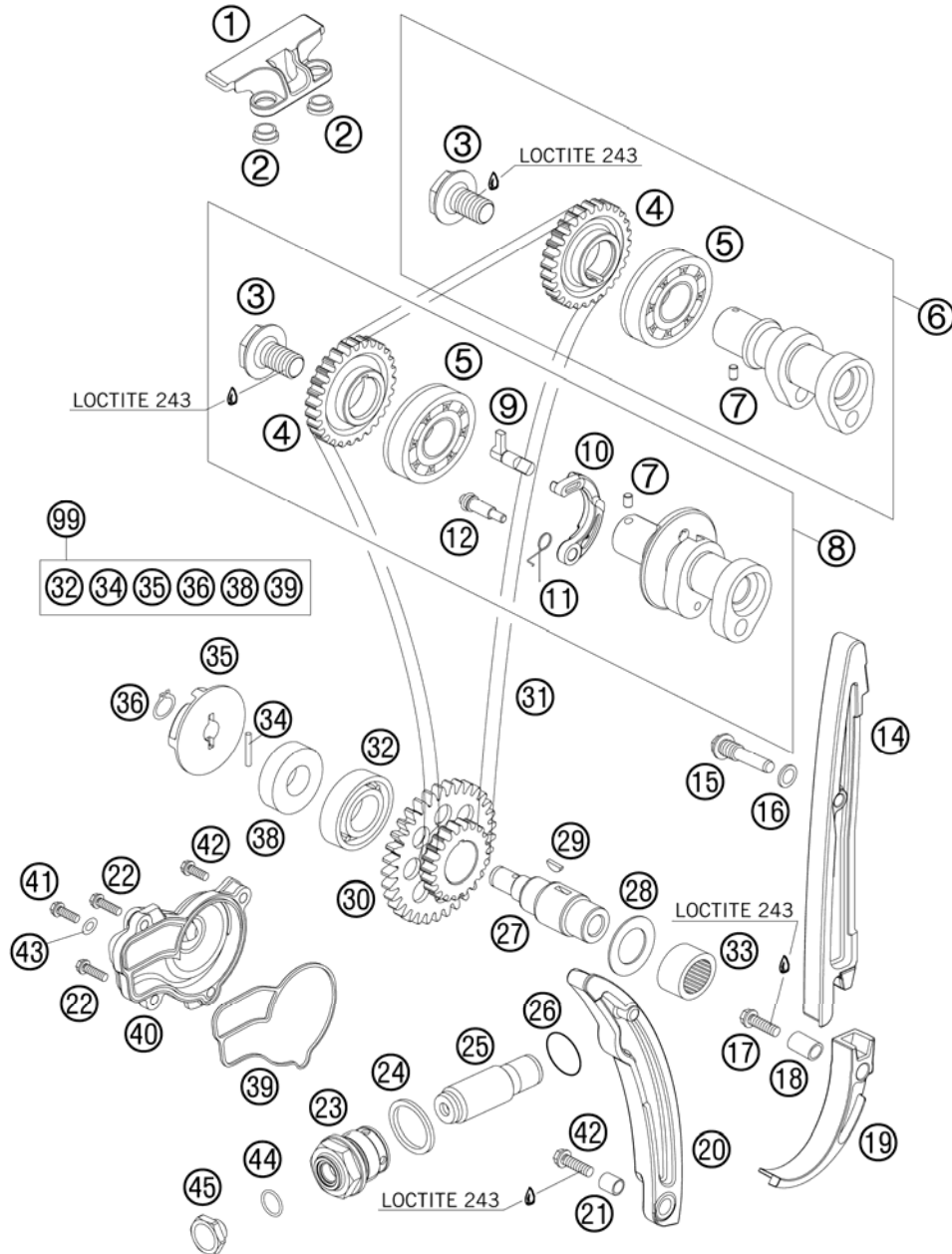
| FIG | PART NUMBER | DESCRIPTION | QTY |
|-----|-------------|--------------------------------|-----|
| 1 | 77036004000 | TIMING CHAIN GUIDE TOP 05 | 1 |
| 2 | 77036004050 | SPACER BUSHING GUIDE RAIL 05 | 2 |
| 3 | 77036012100 | CAMSHAFT GEAR SCREW 08 | 2 |
| 4 | 77036011300 | CAMSHAFT GEAR | 2 |
| 5 | 0625060043 | BALL BEARING 6004 NR C3 05 | 2 |
| 6 | 77036109244 | CAMSHAFT INTAKE 2009 | 1 |
| 7 | 0402040600 | NEEDLE ROLLER DIN5402 NRB 4X6 | 2 |
| 8 | 77436010044 | CAMSHAFT EXHAUST CPL. | 1 |
| 9 | 77036015100 | AUTO DECOMPRESSION SHAFT | 1 |
| 10 | 77036016100 | AUTO DECO WEIGHT | 1 |
| 11 | 77036017000 | SPRING FOR AUTO DECOMPR. 05 | 1 |
| 12 | 77036019100 | BEARING PIN AUTODECO | 1 |
| 14 | 77036001000 | TIMING CHAIN GUIDE 05 | 1 |
| 15 | 77036001160 | BUSHING SCREW 06 | 1 |
| 16 | 0603082121 | SEAL RING CU DIN7603- 8X12X1 | 1 |
| 17 | 0025060256 | HH COLLAR SCREW M6X25 TX30 | 1 |
| 18 | 59036001050 | SPACER BUSHING 6,1X8,2X13,1 | 1 |
| 19 | 77036005000 | SECURING PROTECTION 05 | 1 |
| 20 | 77036002000 | TIMING CHAIN TENSIONER 05 | 1 |
| 21 | 77036001050 | SPACER BUSHING 6.1X8.2X9.1 05 | 1 |
| 22 | 0025060406 | HH COLLAR SCREW M6X40 TX30 | 2 |
| 23 | 78036008100 | CHAIN ADJUSTER HOLDING BOLT | 1 |
| 24 | 0603242920 | CU SEAL-RING DIN7603 A24X29X2 | 1 |
| 25 | 77036003000 | CHAIN ADJUSTER HYD. 05 | 1 |
| 26 | 0770180020 | O-RING 18,00X2,00 NBR 70 | 1 |
| 27 | 77036072100 | TIMING VALVE JACKSHAFT 08 | 1 |
| 28 | 77036073000 | STOP DISK 18,2X30X1 05 | 1 |
| 29 | 0888030037 | WOODRUFF KEY DIN6888-3X3,7 | 1 |
| 30 | 77036076200 | TIMING VALVE TWIN WHEEL | 1 |
| 31 | 77036013100 | TIMING CHAIN 108 ROLLS | 1 |
| 32 | 0625062035 | BALL BEARING 6203 JR2 C3 | 1 |
| 33 | 0618182412 | NEEDLE BEAR.HK1812 18/24/12 05 | 1 |
| 34 | 0402031780 | NEEDLE ROL.DIN5402 NRB 3X17,8 | 1 |
| 35 | 77035055000 | WATER PUMP ROTOR 05 | 1 |
| 36 | 0471100010 | CIRCLIP DIN0471-10X1 | 1 |

097703620 / C137743620

* NEW PART

X AS REQUIRED





| FIG | PART NUMBER | DESCRIPTION | QTY |
|-----|-------------|------------------------------|-----|
| 38 | 0760123073 | SHAFT SEAL RING 12X30X7 PTFE | 1 |
| 39 | 77035053000 | MOLDED RING WATER PUMP 05 | 1 |
| 40 | 77035052000 | WATER PUMP COVER 05 | 1 |
| 41 | 0025060306 | HH COLLAR SCREW M6X30 TX30 | 1 |
| 42 | 0025060206 | HH COLLAR SCREW M6X20 TX30 | 2 |
| 43 | 0603061001 | CU-SEAL RING DIN7603-6X10X1 | 1 |
| 44 | 0770010010 | O-RING 10,00X1,00 NBR 70 SH | 1 |
| 45 | 77336008010 | HOLDING BOLT | 1 |
| 99 | 77035055010 | WATER PUMP REP. KIT 06-13 | x |

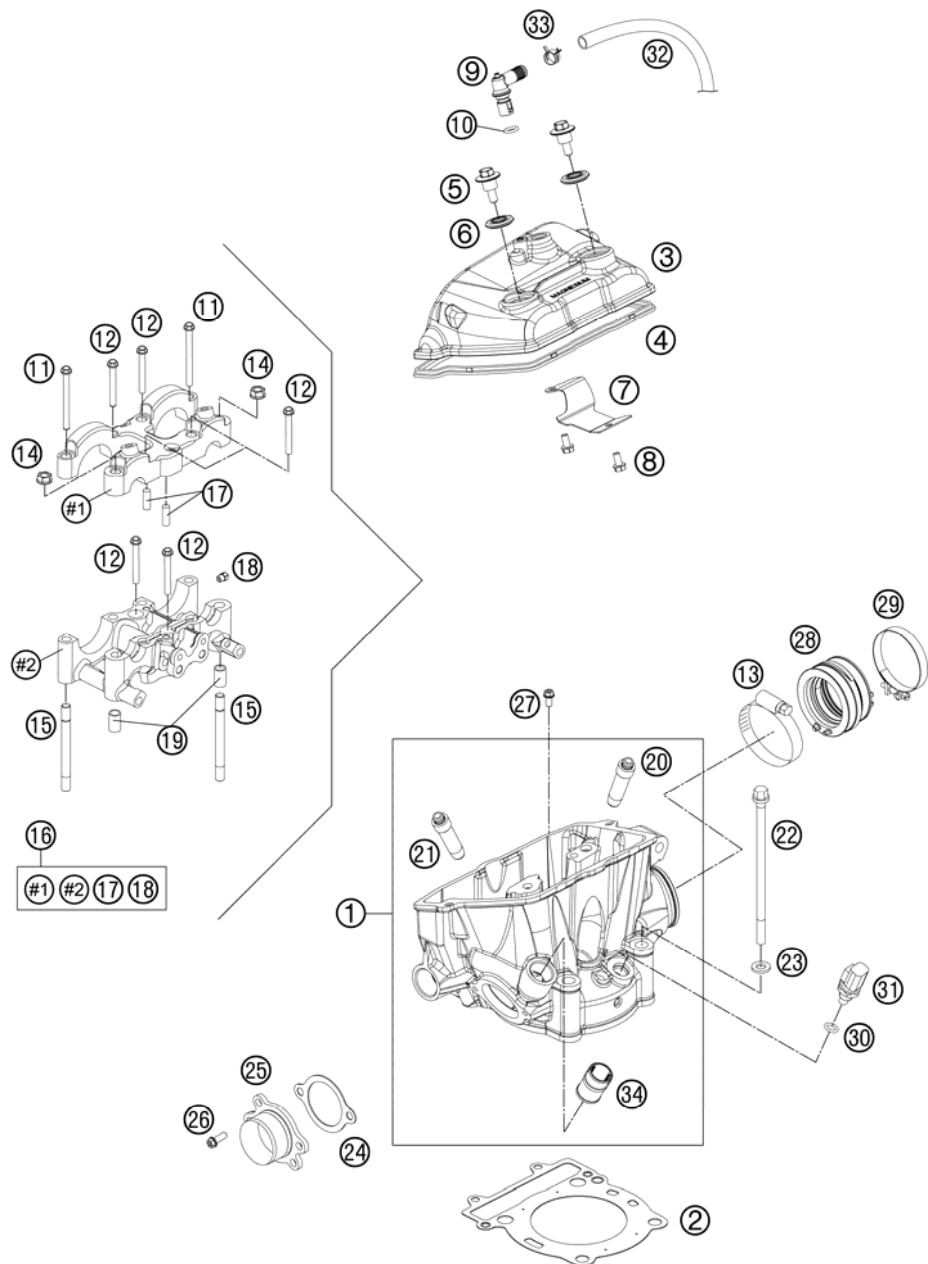
097703620 / C137743620

* NEW PART

X AS REQUIRED

CYLINDER HEAD

HUSABERG FE 250 2013



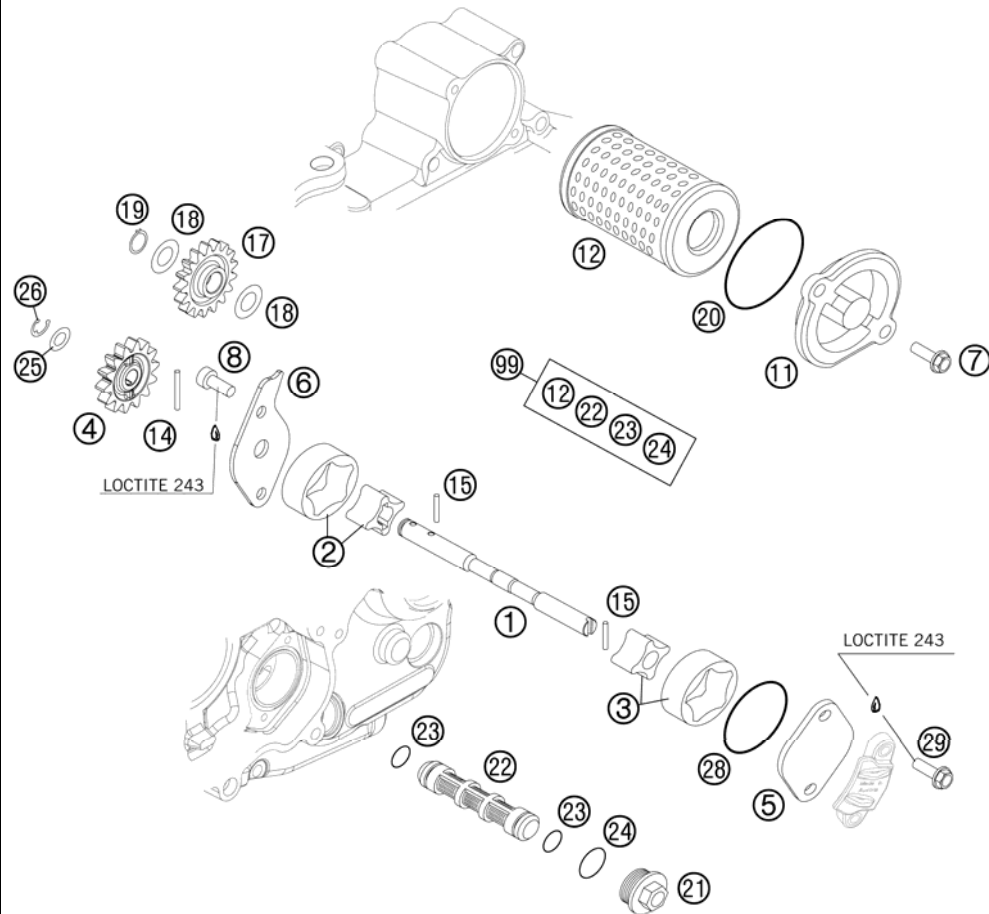
| FIG | PART NUMBER | DESCRIPTION | QTY |
|-----|-------------|--------------------------------|-----|
| 1 | 77136020144 | CYLINDER HEAD CPL. | 1 |
| 2 | 77030036000 | CYLINDER HEAD GASKET 05 | 1 |
| 3 | 77036052100 | VALVE COVER 06 | 1 |
| 4 | 77036053000 | VALVE COVER GASKET 05 | 1 |
| 5 | 77036055100 | VALVE COVER SCR. M6X12 WS10 07 | 3 |
| 6 | 77036054050 | RUBBER GASKET FOR SCREW 05 | 3 |
| 7 | 77036052050 | COVER PLATE BREATHER 05 | 1 |
| 8 | 0009050106 | EJOT SPIRAL SCREW SF M5X10-K | 2 |
| 9 | 60038082000 | ANGLE CONNECTOR LC8 03 | 1 |
| 10 | 0770080020 | O-RING 8X2 SILICONE | 1 |
| 11 | 77036081000 | SPECIAL SCREW M7X73 WS 10 | 2 |
| 12 | 77036080000 | SPECIAL SCREW M7X40 WS10 | 6 |
| 13 | 61036047000 | HOSE CLAMP GEMI 63MM 05 | 1 |
| 14 | 77036024000 | COLLAR NUT 7X1 05 | 2 |
| 15 | 77036023000 | STUD 7X1 05 | 2 |
| 16 | 77036020150 | BUSH SUPPORT A.BRIDGE CPL '05 | 1 |
| 17 | 0402050980 | NEEDLE ROLLER DIN5402 5X9,8 | 2 |
| 18 | 60030063050 | OIL JET 50 05 | 4 |
| 19 | 77036090000 | DOWEL(BUSH BRIDGE)7/9/8 05 | 2 |
| 20 | 77136025001 | VALVE GUIDE INTAKE | 2 |
| 21 | 77136026001 | VALVE GUIDE OUTLET | 2 |
| 22 | 77036079000 | CYLINDER HEAD SCREW 05 | 4 |
| 23 | 59036090000 | WASHER 10,8X18,8X1,5 | 4 |
| 24 | 77036041000 | GASKET EXHAUST FLANGE 06 | 1 |
| 25 | 77036039100 | EXHAUST FLANGE CPL. 07 | 1 |
| 26 | 0025060206 | HH COLLAR SCREW M6X20 TX30 | 2 |
| 27 | 0025060256 | HH COLLAR SCREW M6X25 TX30 | 2 |
| 28 | 77236044000 | CONNECTION RUBBER EFI | 1 |
| 29 | 77236048000 | HOSE CLAMP GEMI 58MM | 1 |
| 30 | 0770100020 | O-RING 10,00X2,00 SILCONE | 1 |
| 31 | 60011252000 | TEMPERAT.-SENSOR WATER LC8 02 | 1 |
| 32 | 77438087000 | ENGINE BREATHER HOSE | 1 |
| 33 | 00049160121 | CLAMP STD DN16 | 1 |
| 34 | 58030010200 | SCREW IN NOZZLE M20X1,5 | 1 |

117713630 / C137743630

* NEW PART

X AS REQUIRED





| FIG | PART NUMBER | DESCRIPTION | QTY |
|-----|-------------|--------------------------------|-----|
| 1 | 77038102000 | OIL PUMP SHAFT EXC-F | 1 |
| 2 | 59038011010 | OILPUMP ROTOR CPL. 10MM G-73R | 1 |
| 3 | 77038011000 | OILPUMP ROTOR 15MM G-164 | 1 |
| 4 | 77038001100 | OIL PUMP GEAR 14T 08 | 1 |
| 5 | 77038004000 | OIL PUMP COVER L/S 05 | 1 |
| 6 | 77038003100 | OIL PUMP COVER R/S 05 | 1 |
| 7 | 0025050166 | HH COLLAR SCREW M5X16 TX30 | 2 |
| 8 | 0984050123S | CYLIND. SCR. DIN6912 M5X12 8.8 | 2 |
| 11 | 59038041000 | OIL FILTER COVER RACING | 1 |
| 12 | 77038005044 | OIL FILTER WITH GASKET 06 | 1 |
| 14 | 0402251980 | NEEDLEROL.DIN5402 NRA 2,5X19,8 | 1 |
| 15 | 0402251180 | NEEDLE ROLLER DIN5402 2,5X11,8 | 2 |
| 17 | 77038006100 | OILPUMP IDLER GEAR 08 | 1 |
| 18 | 0988121805 | SHIM WASHER DIN0988-12X18X0,50 | 2 |
| 19 | 0471120010 | CIRCLIP DIN0471-12X1 | 1 |
| 20 | 0770400025 | O-RING 40,00X2,50 NBR 70 | 1 |
| 21 | 59038017000 | PLUG M20X1,5 WS=13 | 1 |
| 22 | 59038016100 | OIL SCREEN | 1 |
| 23 | 0770125015 | O-RING 12,5X1,5 NBR | 2 |
| 24 | 0770020170 | O-RING 17,17X1,78 GLO | 1 |
| 25 | 58038007755 | STOP DISK 8,1 X 15 X 0,5 | 1 |
| 26 | 0799060000 | TAB WASHER DIN6799-RS 6,0 | 1 |
| 28 | 0770320020 | O-RING 32,00X2,00 | 1 |
| 29 | 0025050126 | HH COLLAR SCREW M5X12 TX30 | 2 |
| 99 | 77038015010 | OILFILTER SERVICE KIT EXC-F | x |

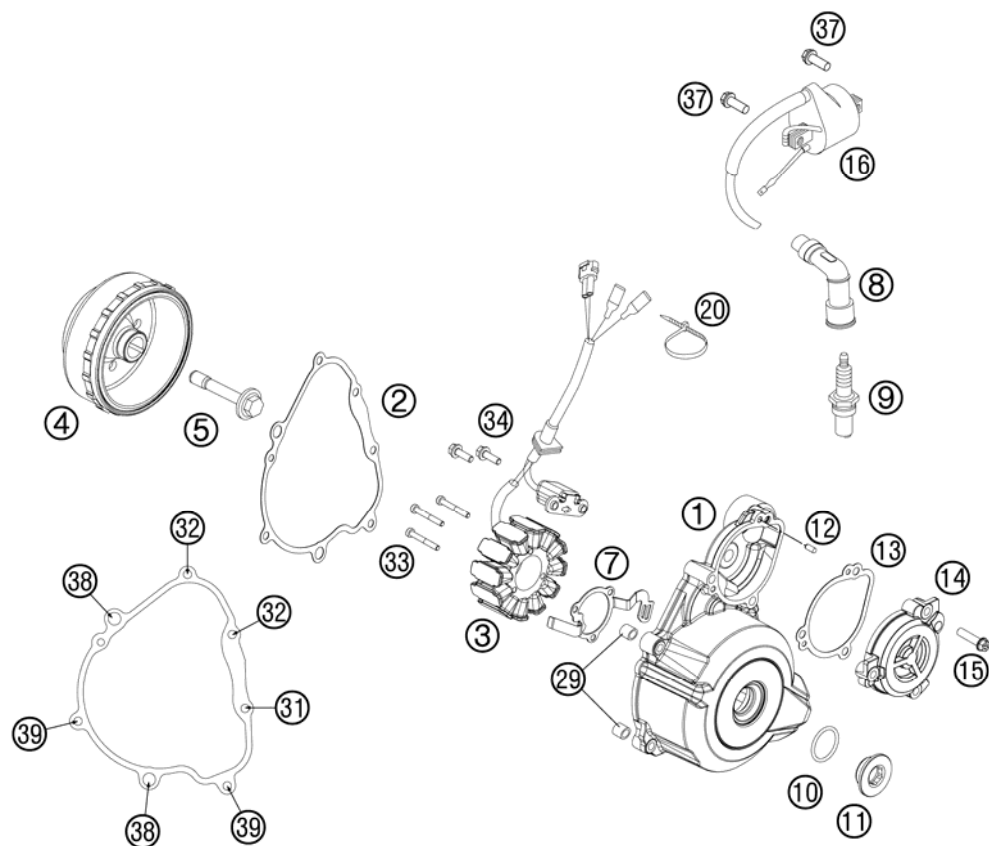
097703810 / C127703810

* NEW PART

X AS REQUIRED

IGNITION SYSTEM

HUSABERG FE 250 2013



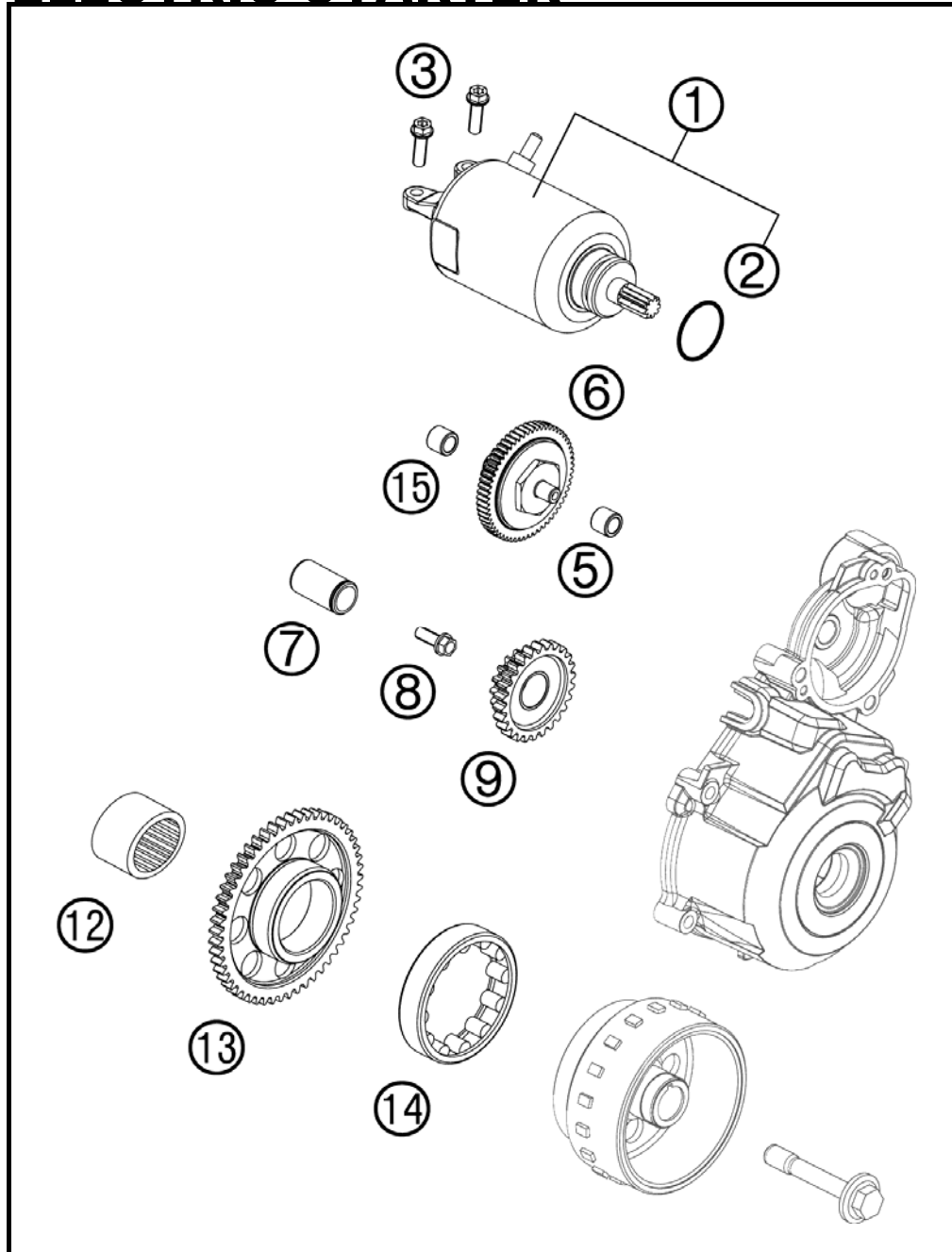
| FIG | PART NUMBER | DESCRIPTION | QTY |
|-----|---------------|--------------------------------|-----|
| 1 | 7743000200015 | IGNITION COVER | 1 |
| 2 | 77130040000 | IGNITION COVER GASKET | 1 |
| 3 | 77439004000 | STATOR | 1 |
| 4 | 77539005000 | ROTOR | 1 |
| 5 | 77339010100 | FLYWHEEL SCREW | 1 |
| 7 | 77430002050 | RETAINING PLATE | 1 |
| 8 | 77139090000 | SPARK PLUG CONNECTOR | 1 |
| 9 | 77039093000 | SPARK PLUG NGK CR9EKB '05 | 1 |
| 10 | 07700240251 | O-RING 24X2,5 VITON | 1 |
| 11 | 7723000206030 | FACTORY IGNITION COVER PLUG | 1 |
| 12 | 0402040980 | NEEDLE ROL.DIN5402 NRB 4X9,8 | 2 |
| 13 | 77240043000 | GASKET TORQUE LIMITER | 1 |
| 14 | 7723000201015 | COVER TORQUE LIMITER | 1 |
| 15 | 0025060256 | HH COLLAR SCREW M6X25 TX30 | 1 |
| 16 | 58439006000 | IGNITIONCOIL IG3826 KOKUSAN'96 | 1 |
| 20 | 44011076140 | CABLE TIE 140/2,5MM BLACK | x |
| 29 | 49030090000 | DOWEL 9,8 X 7 X 10 | 2 |
| 31 | 0025060306 | HH COLLAR SCREW M6X30 TX30 | 1 |
| 32 | 0025060506 | HH COLLAR SCREW M6X50 TX30 | 2 |
| 33 | 0912050303 | AH SCREW DIN0912-M 5X30 | 3 |
| 34 | 0025050126 | HH COLLAR SCREW M5X12 TX30 | 2 |
| 37 | 0026060186 | COLLAR SCREW M6X18 ISA30 | 2 |
| 38 | 0025060356 | HH COLLAR SCREW M6X35 TX30 | 2 |
| 39 | 0025060906 | HH COLLAR SCREW M6X90 TX30 | 2 |

127703910 / C138133910

* NEW PART

X AS REQUIRED





| FIG | PART NUMBER | DESCRIPTION | QTY |
|-----|-------------|-----------------------------|-----|
| 1 | 77040001000 | E-STARTER ENGINE 2007 | 1 |
| 2 | 0770250030 | O-RING 25,00X3,00 NBR 70 | 1 |
| 3 | 0025060206 | HH COLLAR SCREW M6X20 TX30 | 2 |
| 5 | 0618081210 | NEEDLE BUSH HK 0810 DIN 618 | 1 |
| 6 | 77240016000 | TORQUE LIMITER | 1 |
| 7 | 59040028000 | BUSHING PIN | 1 |
| 8 | 0015060163 | HH COLLAR SCREW M 6X16 WS=8 | 1 |
| 9 | 77240022000 | INTERMEDIATE STARTING GEAR | 1 |
| 12 | 0618301617 | NEEDLE BEARING HK 3016 B | 1 |
| 13 | 77240020000 | FREEWHEEL GEAR | 1 |
| 14 | 77240026000 | ROLLER FREE WHEEL | 1 |
| 15 | 77140017000 | SLIDING SLEEVE 8X10X8 | 1 |

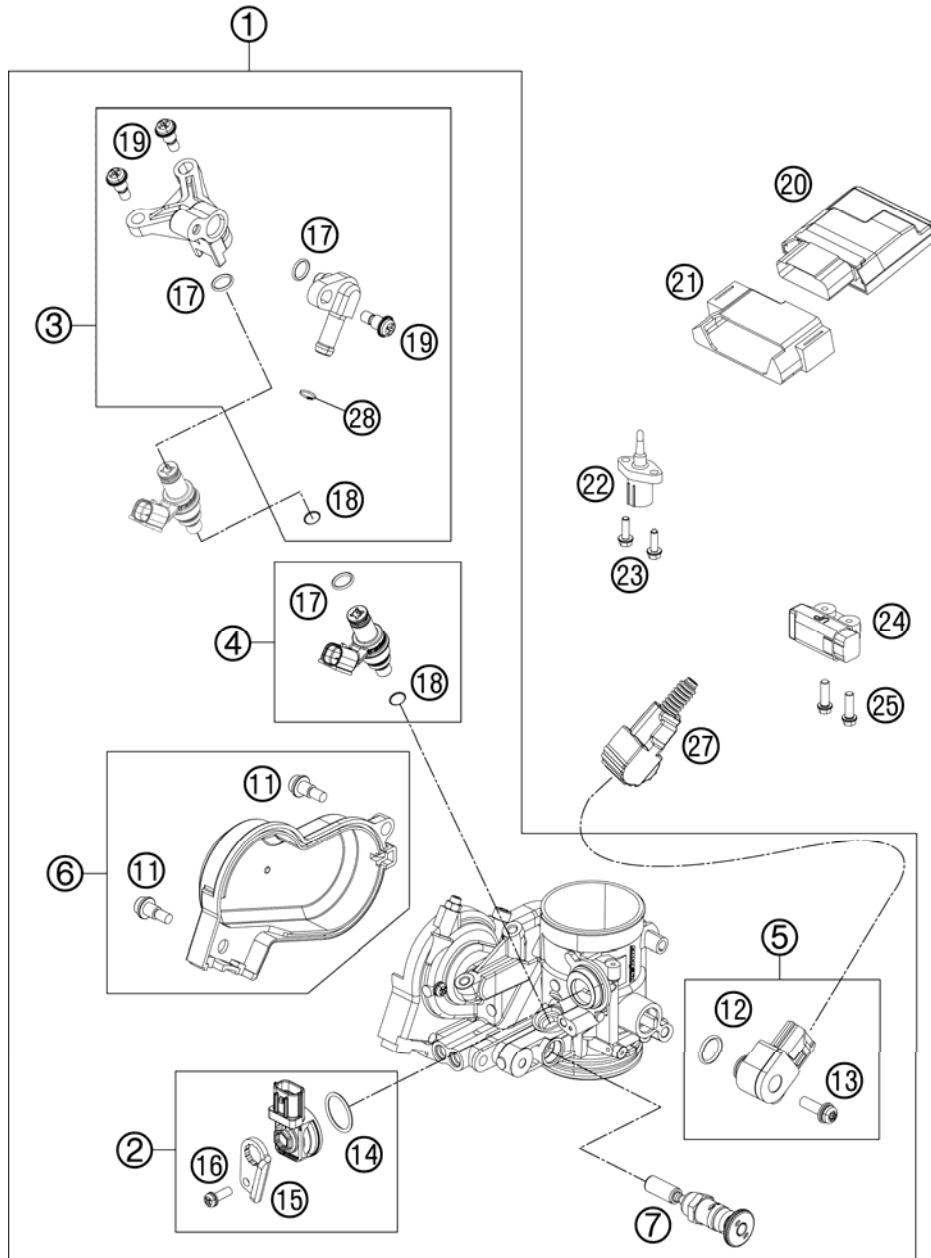
127714010 / C127714011

* NEW PART

X AS REQUIRED

THROTTLE BODY

HUSABERG FE 250 2013



| FIG | PART NUMBER | DESCRIPTION | QTY |
|-----|-------------|--------------------------------|-----|
| 1 | 77141001000 | THROTTLE BODY | 1 |
| 2 | 81241085044 | MAP SENSOR CPL. | 1 |
| 3 | 81241013044 | FUEL RAIL CPL. | 1 |
| 4 | 77141023144 | INJECTOR KIT CPL. | 1 |
| 5 | 81241077044 | TPS KPL. | 1 |
| 6 | 81241056044 | THROTTLE COVER CPL. | 1 |
| 7 | 81241060000 | STARTER VALVE COMP. | 1 |
| 11 | 81241056020 | SPECIAL SCREW AH | 2 |
| 12 | 61041077010 | O-RING THROTTLE POS. SENSOR | 1 |
| 13 | 81241077030 | SPECIAL SCREW | 1 |
| 14 | 75041085010 | O-RING | 1 |
| 15 | 81241085020 | PLATE | 1 |
| 16 | 81241085030 | SPECIAL SCREW | 1 |
| 17 | 75041023020 | O-RING | 2 |
| 18 | 75041023010 | SEAL RING | 1 |
| 19 | 75041013010 | SCREW SHOULDER | 3 |
| 20 | 81241031100 | TIMING CHARGER EFI | 1 |
| 21 | 77241031050 | RUBBER BRACKET ECU | 1 |
| 22 | 61041080000 | AMBIENT-AIR TEMPERATURE SENSOR | 1 |
| 23 | 0025050166 | HH COLLAR SCREW M5X16 TX30 | 2 |
| 24 | 61041088000 | ROLLOVER SENSOR | 1 |
| 25 | 0025060206 | HH COLLAR SCREW M6X20 TX30 | 2 |
| 27 | 77111014050 | PROTECTION CAP TPS | 1 |
| 28 | 77507017000 | CLAMP ABA 14MM | 1 |

137744110 / C137744110

* NEW PART

X AS REQUIRED





HUSABERG – a company of the KTM Group
A-5230 Mattighofen
www.husaberg.cc

KTM Group Partner



3CM089335MEN



Art.Nr.: 3CM089335MEN 8/2012